



CRESCENT CUBER

KM-130C
KM-130C-W
KM-140C-HC
KM-140C-HC-W

PARTS LIST

[HSH] [HEBV][HKR][HS][HMS][HPH][MI] [SEA][HID][HTW]

F178-C101, F178-C201, F178-C141, F178-C111, F178-C121
F178-C151, F178-C161, F178-C162, F178-C171, F178-C175
F178-C191, F178-C211, F178-C221, F178-C241, F178-C251
F178-C261, F178-C262, F178-C271, F178-C275, F178-C291
F178-C301

M-0 NOV. 2022

List of Specifications

MODEL	MODEL NUMBER	DESTINATION	SPEC
KM-130C	F178-C101	HSH	50Hz
KM-130C-W	F178-C201	HSH	50Hz Fully automated cleaning
KM-130C	F178-C121	HS,HMS	50Hz
KM-130C	F178-C151	HKR	60Hz
KM-130C	F178-C161	HPH	60Hz
KM-130C	F178-C162	MI	60Hz
KM-130C	F178-C171	SEA	50Hz
KM-130C	F178-C175	HID	50Hz
KM-130C	F178-C191	HTW	60Hz
KM-130C-W	F178-C221	HS,HMS	50Hz Fully automated cleaning
KM-130C-W	F178-C251	HKR	60Hz Fully automated cleaning
KM-130C-W	F178-C261	HPH	60Hz Fully automated cleaning
KM-130C-W	F178-C262	MI	60Hz Fully automated cleaning
KM-130C-W	F178-C271	SEA	50Hz Fully automated cleaning
KM-130C-W	F178-C275	HID	50Hz Fully automated cleaning
KM-130C-W	F178-C291	HTW	60Hz Fully automated cleaning
KM-140C-HC	F178-C111	HLP	50Hz
KM-140C-HC	F178-C141	HEBV	50Hz
KM-140C-HC-W	F178-C211	HLP	50Hz Fully automated cleaning
KM-140C-HC-W	F178-C241	HEBV	50Hz Fully automated cleaning
KM-130C-U	F178-C301	HSH	50Hz UV-LED

KM-130C-U (F178-C301) is identical to KM-130C (F178-C101) except for the addition of the UV-LED kit (option).

Refer to KM-130C (F178-C101) for parts information.

AUXILIARY CODE

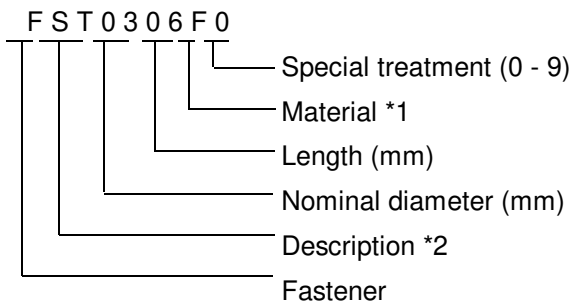
U - 1

The auxiliary code is the first two characters in the serial number. The first character indicates the production year. Years progress or regress in alphabetical order. The series of letters and skipped letters depend on UL listing, production, and model. See the auxiliary code(s) and corresponding year(s) on the front cover.

The second character indicates significant part changes within the same year. Base is "1" and this number advances for each change. If there is no significant part change at the turn of the year, this number starts from "0."

FASTENER PART NUMBER

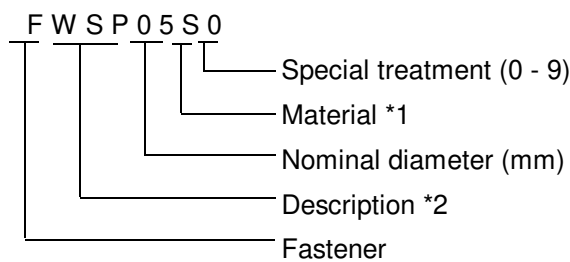
SCREWS



*1 Material

F: Steel
S: Austenitic stainless steel
M: Martensitic stainless steel
B: Copper alloy
P: Polycarbonate
N: Polyamide
V: PVC
A: ABS
X: Polyacetal
L: Aluminum

NUTS & WASHERS



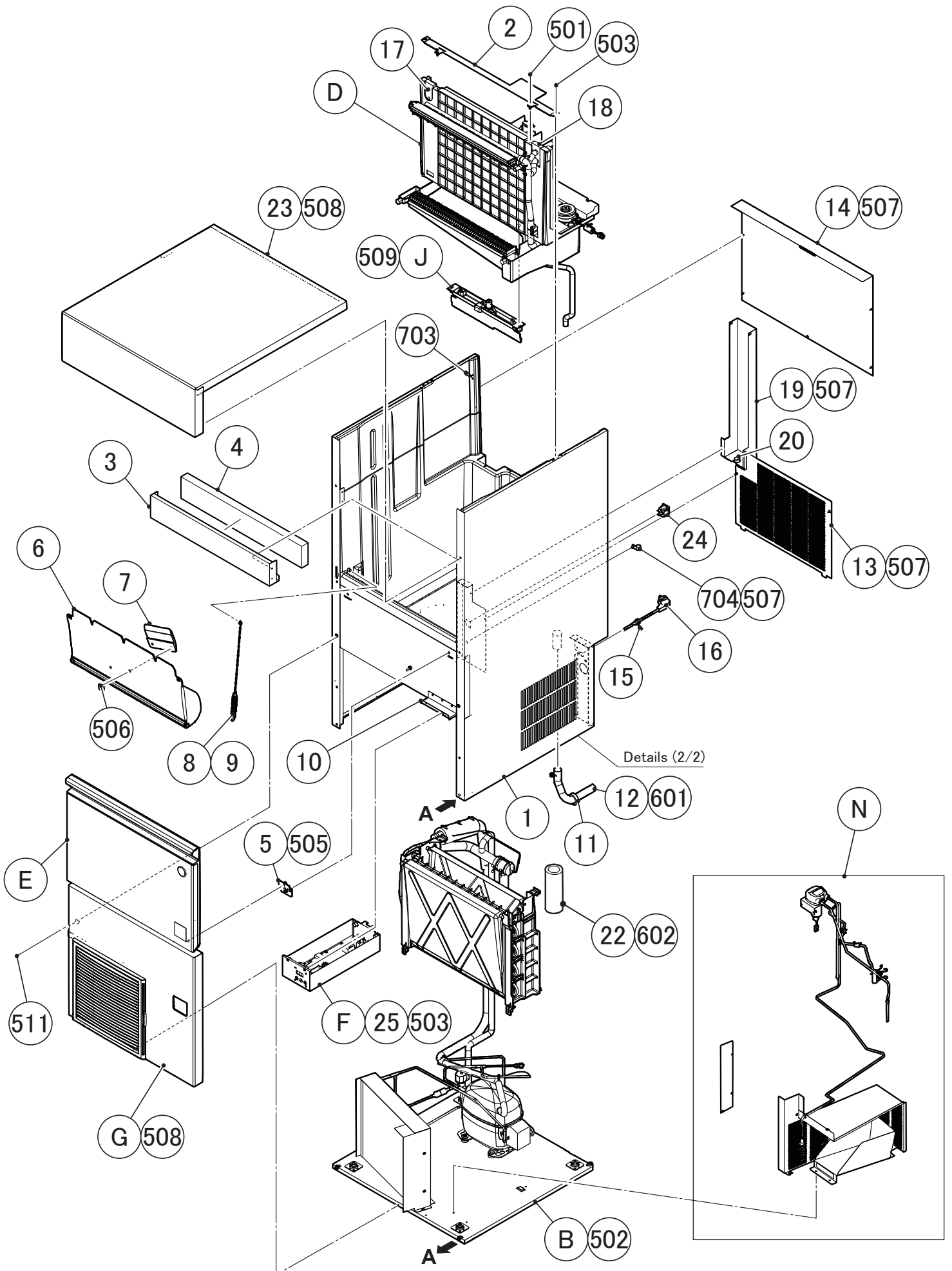
*2 Description

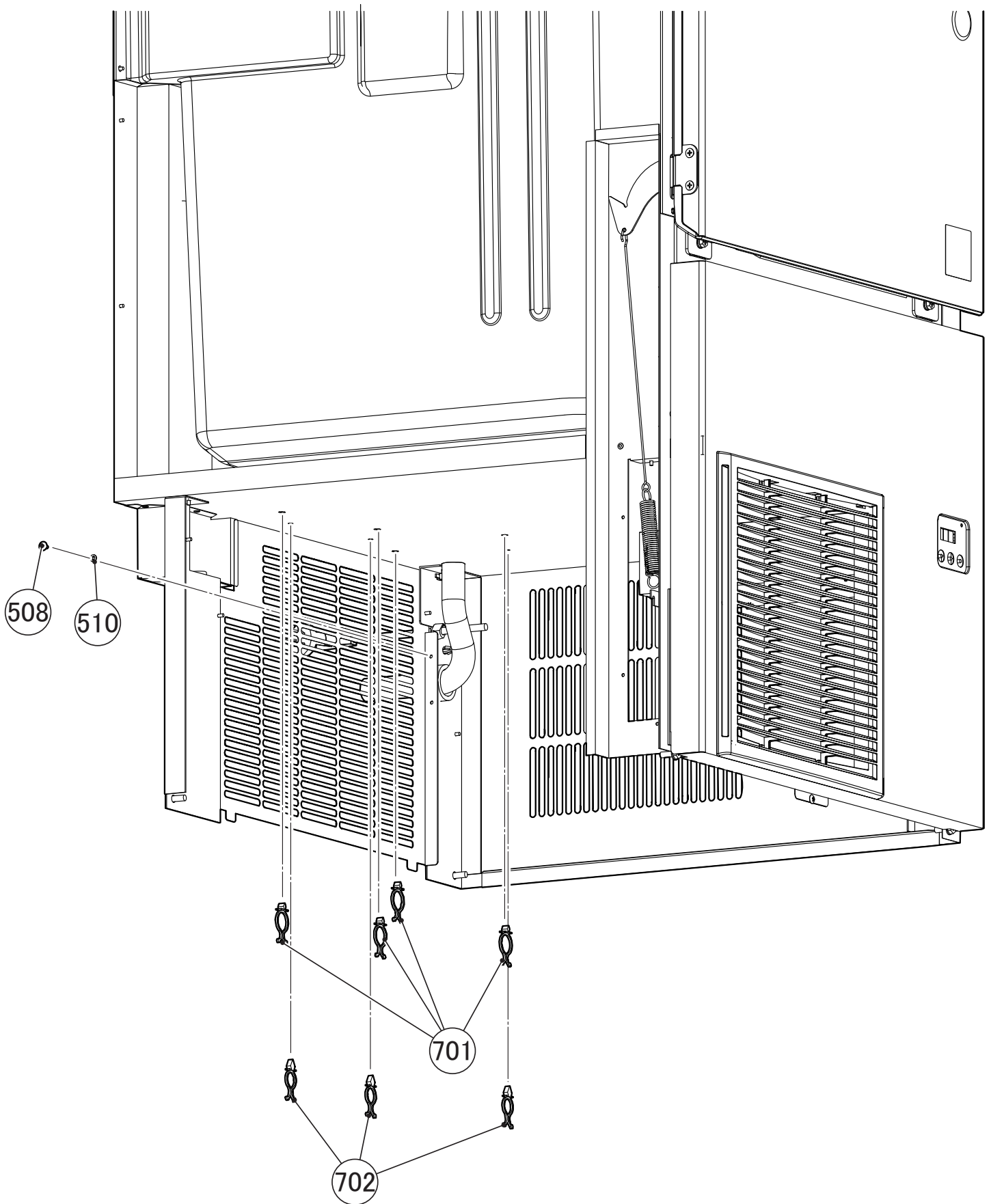
First letter
S: Machine screw
T: Tapping screw
M: Wood screw
B: Bolt
W: Washer
N: Nut

PART CALLOUTS

Note that three digit callouts indicate the following types of parts:

- *500 Series - fasteners such as screws, bolts, nuts, washers, and collars
- *600 Series - nylon ties
- *700 Series - parts to secure or connect hoses and wires





MODEL: **KM-130C**TITLE: **A. ICE CUBER ASSY**

INDEX NO.	DESCRIPTION	MATERIAL OR MODEL NUMBER	PART NUMBER	REQ'D NUMBER			
				M-0 and later			
B	REFRIGERATION ASSY 冷冻单元	F178-C101,C121,C151 C161,C162,C171,C175 C191,C201,C221,C251 C261,C262,C271,C275 C291	130384A01	1			
		F178-C111,C211,C141 C241	130385A01	1			
D	WATER CIRCUIT 水回路	F178-C101	130429A01	1			
		F178-C201	130429001	1			
		F178-C141,C161,C171 C175,C191,C162	130429A02	1			
		F178-C241,C261,C262 C271,C275,C291	130429002	1			
		F178-C111	130429A03	1			
		F178-C211	130429003	1			
		F178-C121	130429A04	1			
		F178-C221	130429004	1			
		F178-C151	130429A05	1			
		F178-C251	130429005	1			
E	DOOR ASSY 门组件	F178-C101,C201	392913A01	1			
		F178-C111,C211,C141 C241	392913A02	1			
		F178-C121,C151,C161 C162,C171,C175,C221 C251,C261,C262,C271 C275	392913A03	1			
		F178-C191,C291	392913A04	1			
F	CONTROL BOX ASSY 控制盒组件	F178-C101,C121,C161 C162,C171,C175,C191 C201,C221,C261,C262 C271,C275,C291	283689A01	1			
		F178-C111,C211,C141 C241	283689A02	1			
		F178-C151,C251	283689A03	1			
G	FRONT COVER LOWER ASSY 前面板下组件		394474A01	1			

MODEL: **KM-130C**TITLE: **A. ICE CUBER ASSY**

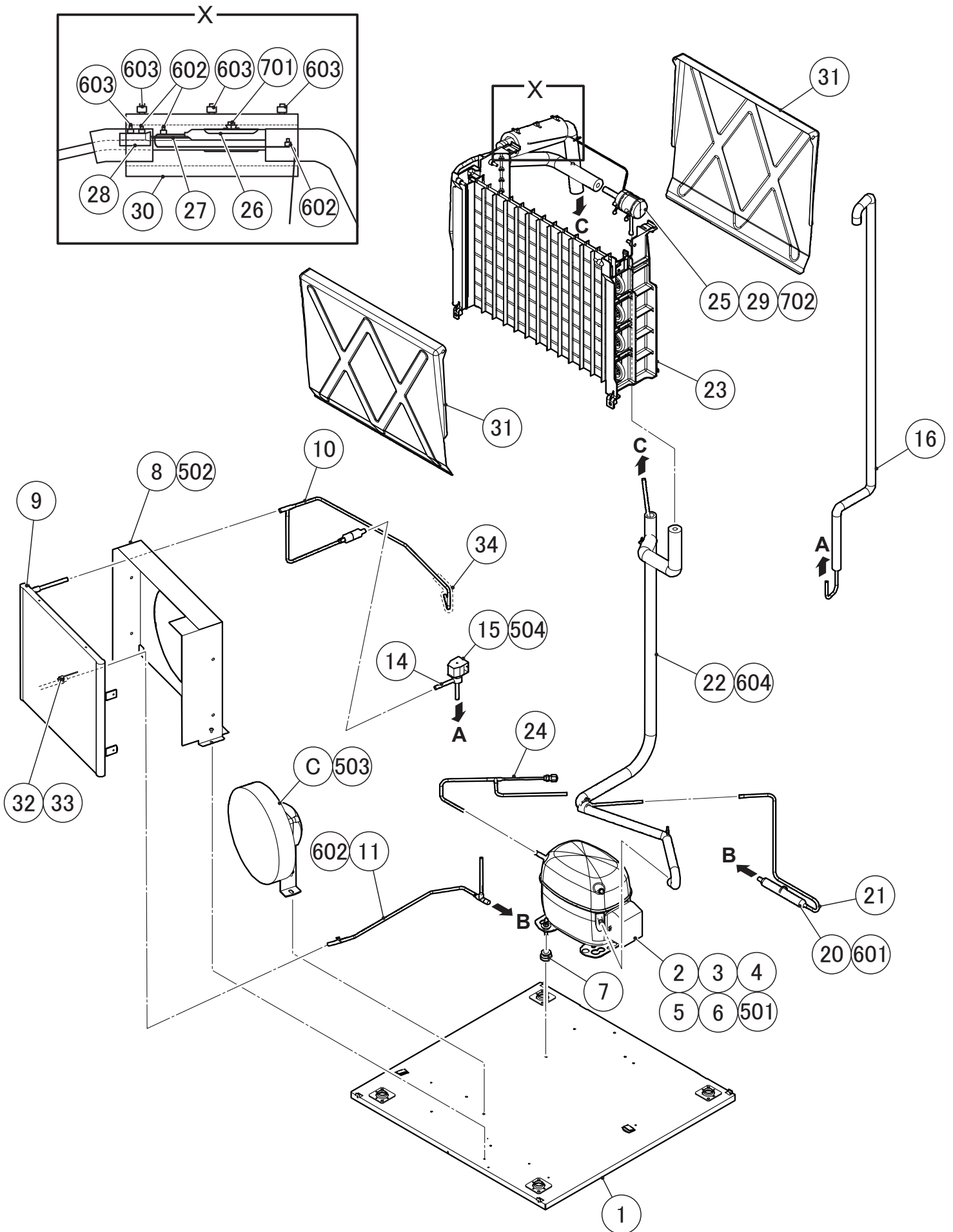
INDEX NO.	DESCRIPTION	MATERIAL OR MODEL NUMBER	PART NUMBER	REQ'D NUMBER			
				M-0 and later			
J	MECHANICAL BIN SWITCH 机器冰量开关		370982A01	1			
K	LABEL LOCATION 标签位置图	F178-C101,C201	283503A01	1			
		F178-C141,C241	283503A02	1			
		F178-C111,C211	283503A03	1			
		F178-C121,C171 C221,C271	283503A04	1			
		F178-C162,C262	283503A06	1			
		F178-C151,C251	283503A07	1			
		F178-C161,C261	283503A05	1			
		F178-C175,C275	283503001	1			
		F178-C191,C291	283503A08	1			
L	ACCESSORIES 附件	F178-C101	A04058-01	1			
		F178-C201	A04058001	1			
		F178-C121,C161,C162 C171,C175	A04106-01	1			
		F178-C221,C261,C262 C271,C275	A04106001	1			
		F178-C141	A04059-01	1			
		F178-C241	A04059001	1			
		F178-C111	A04105-01	1			
		F178-C211	A04105001	1			
		F178-C151	A04107-01	1			
		F178-C251	A04107001	1			
		F178-C191	A04109-01	1			
		F178-C291	A04109001	1			
N	CLEANING KIT ASSY 清洗单元组件	F178-C201,C211,C221 C241,C251,C261,C262 C271,C275,C291	130139A04	1			
Q	UV LED-RESISTANCE ASSY UV LED电阻组件	F178-C301	488101A02	1			

MODEL: **KM-130C**TITLE: **A. ICE CUBER ASSY**

INDEX NO.	DESCRIPTION	MATERIAL OR MODEL NUMBER	PART NUMBER	REQ'D NUMBER			
				M-0 and later			
1	BODY ASSY 本体组件	F178-C101,C121,C151 C171,C175,C201,C221 C251,C271,C275	130383G01	1			
		F178-C111,C211,C141 C241	130383G02	1			
		F178-C161,C162,C191 C261,C262,C291	130383G03	1			
2	BRACKET / ICE MAKING 支架/制冰		283375M01	1			
3	FRONT FRAME 前面框		394438M01	1			
4	FRONT INSULATION 前部隔热材		487025P03	1			
5	HINGE 铰链		P03583-01	2			
6	SLOPE 挡冰斜板		281932P01	1			
7	HOLDER - SCOOP 冰铲支架		393026G01	1			
8	HOOK - SPRING 弹簧卡扣		486923M01	1			
9	SPRING 弹簧		486922M01	1			
10	COVER - CONTROL BOX 控制盒盖		394439M01	1			
11	BUSHING 衬套		P05671-01	1			
12	OUTLET HOSE 出水软管		P04122-01	1			
13	REAR COVER 后盖		283376M01	1			
14	REAR PANEL 后板		283377M01	1			
15	BUSHING 衬套	F178-C101,C121,C151 C171,C175,C201,C221 C251,C271,C275	448949-01	1			
		F178-C161,C162,C191 C261,C262,C291	420472-02	1			
16	POWER SUPPLY CORD 电源线	F178-C101,C201	P00193-01	1			
		F178-C121,C171,C175 C221,C271,C275	P00182-01	1			
		F178-C151,C251	P04145-01				
		F178-C161,C162,C191 C261,C262,C291	P00004-01	1			
	POWER CORD 电源线	F178-C141,C241	P02794-01	1			
			P02795-01	1			
	F178-C111,C211	P02796-01	1				
17	GROMMET (A) 金属圈 (A)		487879P01	1			
18	GROMMET (B) 金属圈 (B)		487880P01	1			

MODEL: **KM-130C**TITLE: **A. ICE CUBER ASSY**

INDEX NO.	DESCRIPTION	MATERIAL OR MODEL NUMBER	PART NUMBER	REQ'D NUMBER			
				M-0 and later			
19	COVER - PIPE 管盖		283378M01	1			
20	BUSHING 衬套		428394-04	1			
22	Insulation Tube 隔热管	F178-C101,C121,C151 C161,C162,C171,C175 C191,C201,C221,C251 C261,C262,C271,C275 C291	H73858130	2			
		F178-C111,C211,C141 C241	H73858130	1			
23	TOP PANEL ASSY 顶板组件		394472A01	1			
24	CONNECTOR 端子	F178-C141,C111,C211 C241	P02656-01	1			
25	BAG 防水袋		485815P01	1			
501	TRUSS HEAD TAPPING SCREW T2 T2大圆头自攻螺丝		FT20412M0	4			
502	HEX. TAPPING SCREW W - FLANGE 法兰六角头自攻螺丝W		P01572-01	4			
503	TRUSS HEAD SCREW 大圆头螺丝		FST0406F0	4			
505	HEX HEAD BOLT 六角螺栓 (SPRING WASHER AND FLAT WASHER) (弹性垫片+平垫片)		FBK0616S0	4			
506	THUMB SCREW 翼形螺丝		456279G01	2			
507	T2 TRUSS HEAD SCREW T2 大圆头螺丝	F178-C101,C201,C162, C262,C121,C161,C171 C175,C191,C221,C261 C271,C275,C291	FT20408F0	8			
		F178-C111,C211,C141 C241	FT20408F0	9			
508	TRUSS HEAD SCREW 大圆头螺丝	F178-C101,C111,C121 C141,C151,C161,C162 C171,C175,C191	FST0408S0	4			
		F178-C201,C211,C221 C241,C251,C261,C262 C271,C275,C291	FST0408S0	3			
509	THUMBSCREW 翼形螺丝		415949G12	2			
510	SPRING WASHER 弹性垫片		FWSP04S0	1			
511	TAPER COLLAR 卡圈		4H0171-01	2			
601	TIE 扎带		7920-0003	3			

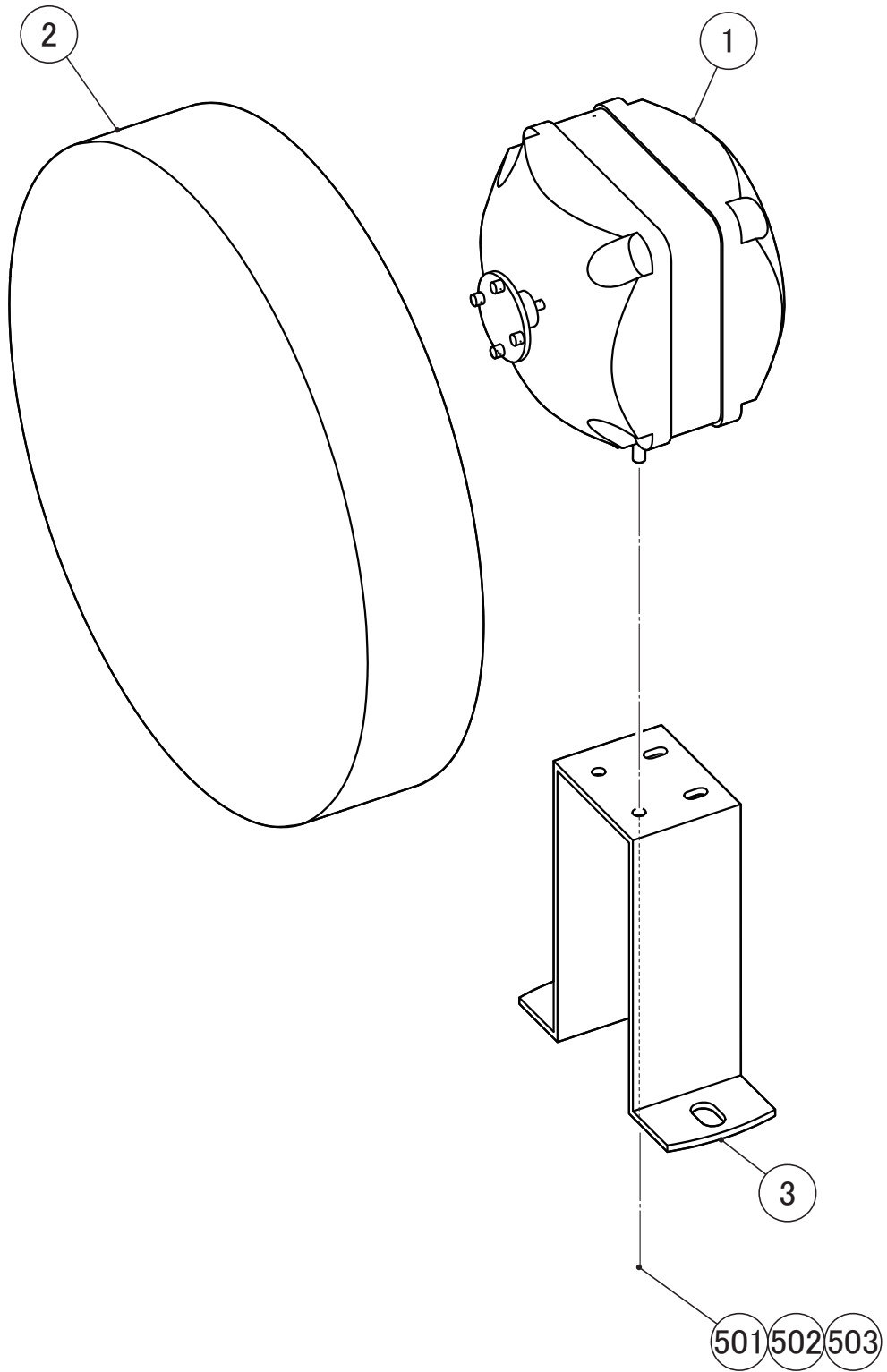


MODEL: **KM-130C**TITLE: **B. REFRIGERATION CIRCUIT**

INDEX NO.	DESCRIPTION	MATERIAL OR MODEL NUMBER	PART NUMBER	REQ'D NUMBER			
				M-0 and later			
C	FAN MOTOR ASSY 风扇马达组件		394464A01	1			
1	BASE (G) 底座		283391G01	1			
2	COMPRESSOR 压缩机	F178-C101,C121,C151 C161,C162,C171,C175 C191 C201,C221,C251,C261 C262,C271,C275,C291	P03941-01	1			
		F178-C111,C211,C141 C241	P03539-01	1			
3	STARTING RELAY 启动电容	F178-C101,C121,C151 C161,C162,C171,C175 C191 C201,C221,C251,C261 C262,C271,C275,C291	P03942-01	1			
		F178-C111,C211,C141 C241	P01909-01	1			
4	CORD RELIEF 电线保护夹		452239-01	1			
5	START CAPACITOR 启动电容		456350-01	1			
6	COVER 盖		P01179-01	1			
7	GROMMET 金属圈		450897-01	4			
8	SHROUD 遮板		283387M01	1			
9	MICRO CHANNEL CONDENSER 微通道冷凝器		P05561-01	1			
10	COPPER TUBE G - H 铜管G-H	F178-C101,C121,C151 C161,C162,C171,C175 C191 C201,C221,C251,C261 C262,C271,C275,C291	395303G01	1			
		F178-C111,C211,C141 C241	395303G02	1			
11	COPPER TUBE G1 - H 铜管G1	F178-C101,C121,C151 C161,C162,C171,C175 C191 C201,C221,C251,C261 C262,C271,C275,C291	395304G01	1			
		F178-C111,C211,C141 C241	395304G02	1			
14	VALVE BODY 阀本体		4A3978-01	1			
15	COIL VALVE (G) 螺旋阀组件		384366G01	1			

MODEL: **KM-130C**TITLE: **B. REFRIGERATION CIRCUIT**

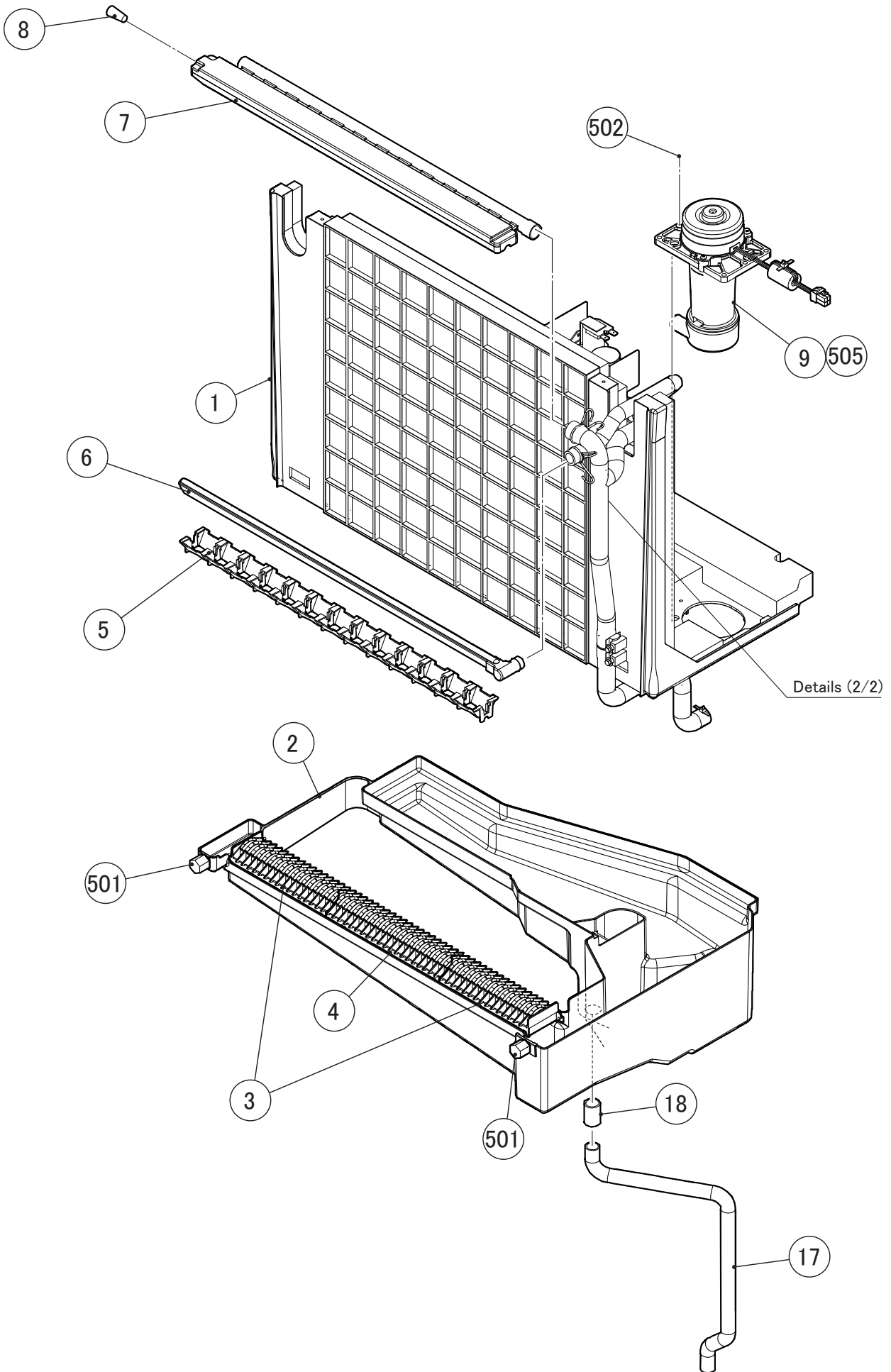
INDEX NO.	DESCRIPTION	MATERIAL OR MODEL NUMBER	PART NUMBER	REQ'D NUMBER			
				M-0 and later			
16	COPPER TUBE - HOT GAS 热气管铜管	F178-C101,C121,C151 C161,C162,C171,C175 C191 C201,C221,C251,C261 C262,C271,C275,C291	394469G01	1			
		F178-C111,C211,C141 C241	394447G01	1			
20	DRIER 干燥器		P00026-01	1			
21	COPPER TUBE (D) - H 铜管 (D)-H	F178-C101,C121,C151 C161,C162,C171,C175 C191 C201,C221,C251,C261 C262,C271,C275,C291	487855M01	1			
		F178-C111,C211,C141 C241	487847M01	1			
22	HEAT EXCHANGER 热交换	F178-C101,C121,C151 C161,C162,C171,C175 C191 C201,C221,C251,C261 C262,C271,C275,C291	394471G01	1			
		F178-C111,C211,C141 C241	394480G01	1			
23	EVAPORATOR ASSY 蒸发器组件		283395G01	1			
24	COPPER TUBE - PROCESS 工艺铜管	F178-C101,C121,C151 C161,C162,C171,C175 C191 C201,C221,C251,C261 C262,C271,C275,C291	394467G01	1			
		F178-C111,C211,C141 C241	394467G02	1			
25	EXPANSION VALVE 膨胀阀	F178-C101,C121,C151 C161,C162,C171,C175 C191 C201,C221,C251,C261 C262,C271,C275,C291	P05846-01	1			
		F178-C111,C211,C141 C241	P05516-01	1			
26	HOLDER - EXPV 膨胀阀支架		451267-01	1			
27	THERMISTOR 热敏电阻		P00027-01	1			
28	HOLDER-THERMISTOR 热敏电阻支架		436455-01	1			
29	VALVE COVER 阀盖		3Y3196P01	1			
30	Insulation Tube 隔热管		H73858160	1			
31	SEPARATOR 导水板		283373P01	2			

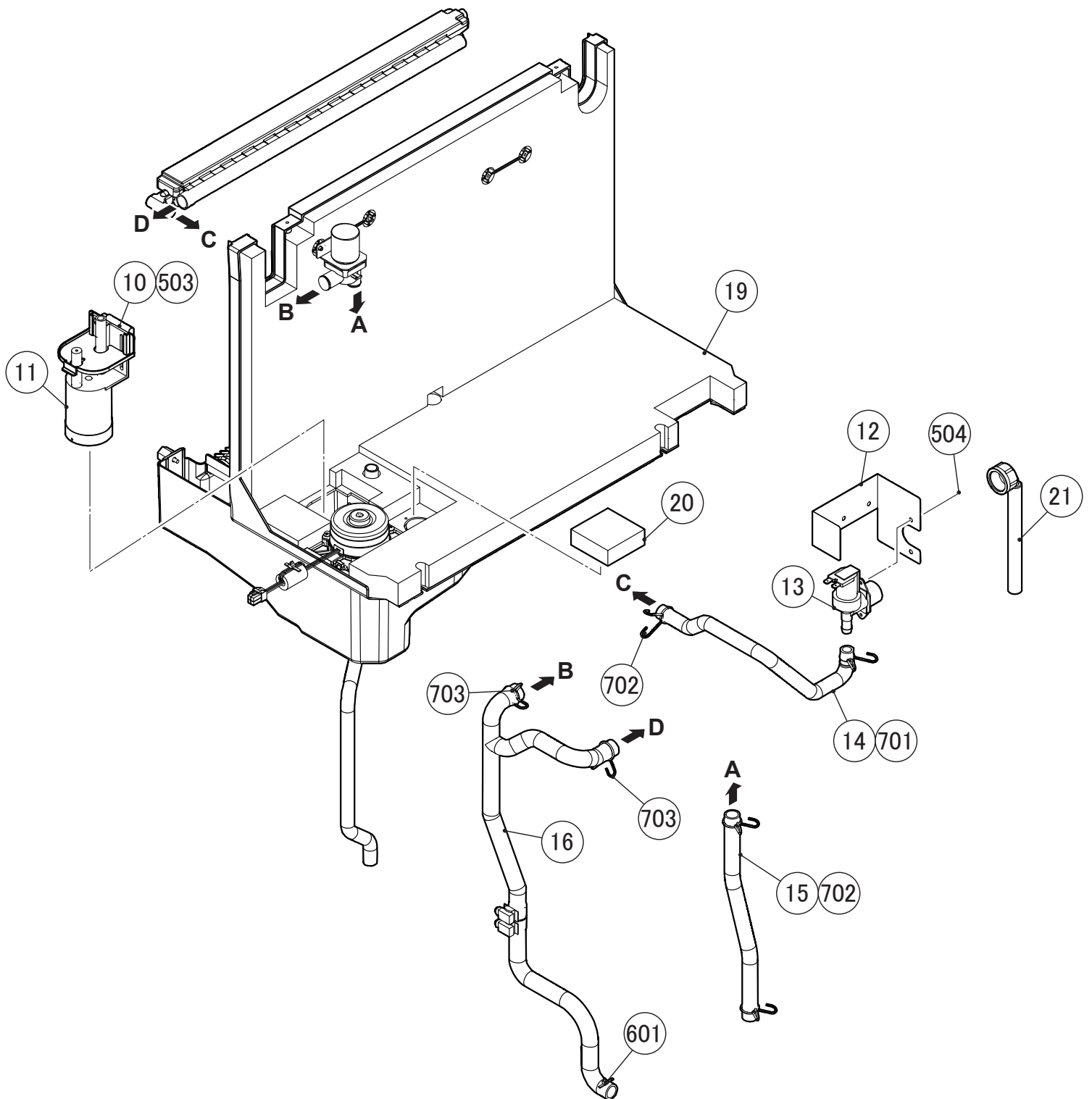


MODEL: **KM-130C**

TITLE: **C. FAN MOTOR ASSY**

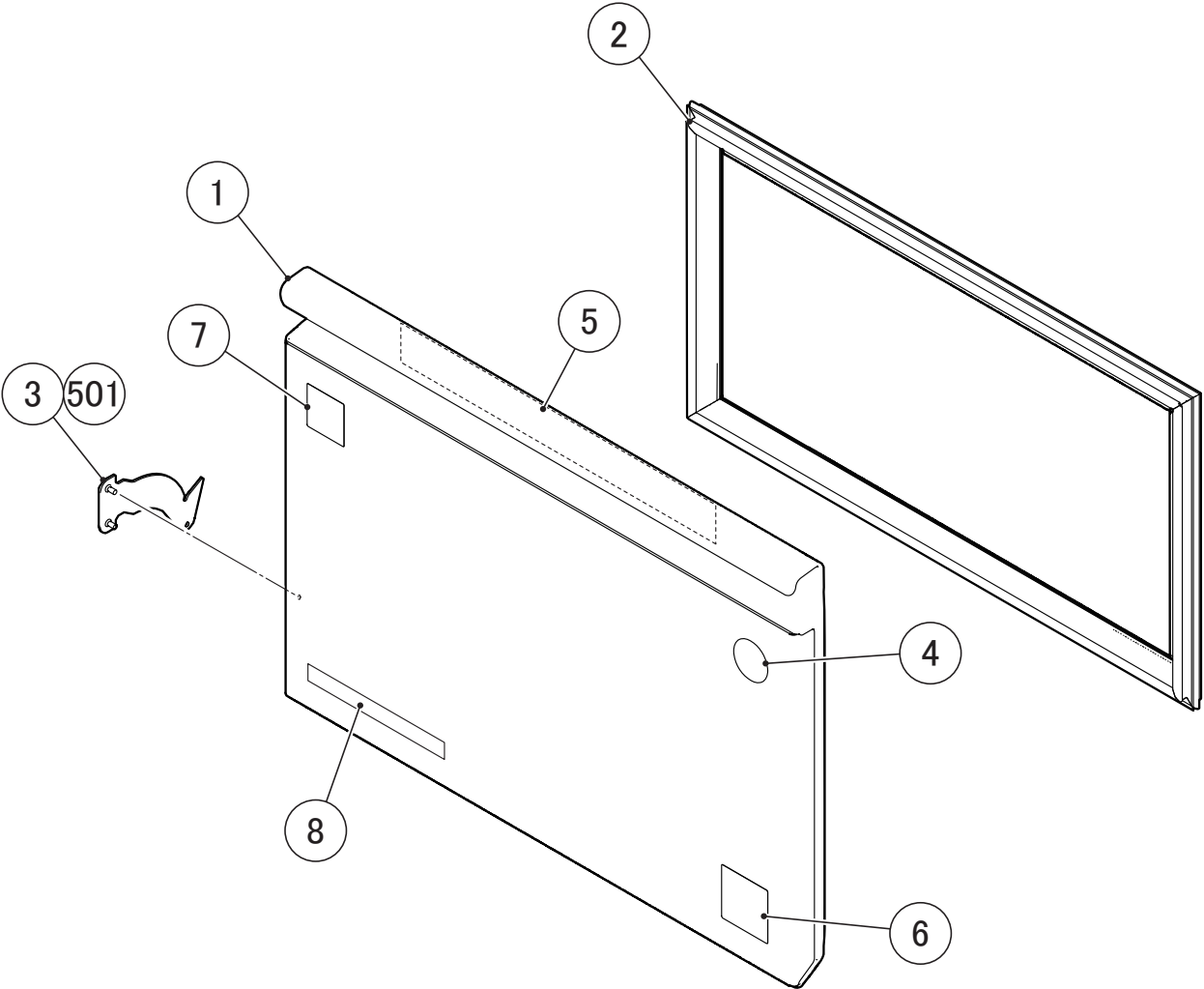
INDEX NO.	DESCRIPTION	MATERIAL OR MODEL NUMBER	PART NUMBER	REQ'D NUMBER			
				M-0 and later			
1	FAN MOTOR (G) 风扇马达组件		379793G01	1			
2	FAN BLADE 风扇叶片		P00031-01	1			
3	BRACKET - FM FM支架		3Y6143M01	1			
501	FLAT WASHER 平垫片		FWPL04S0	2			
502	SPRING WASHER 弹性垫片		FWSP04S0	2			
503	NUT 螺母		FNH104S0	2			

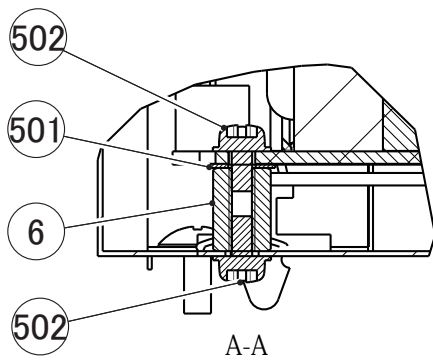
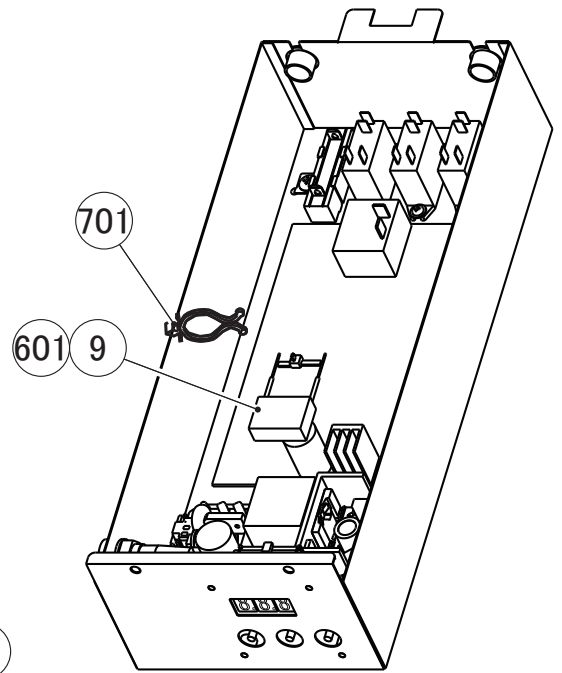
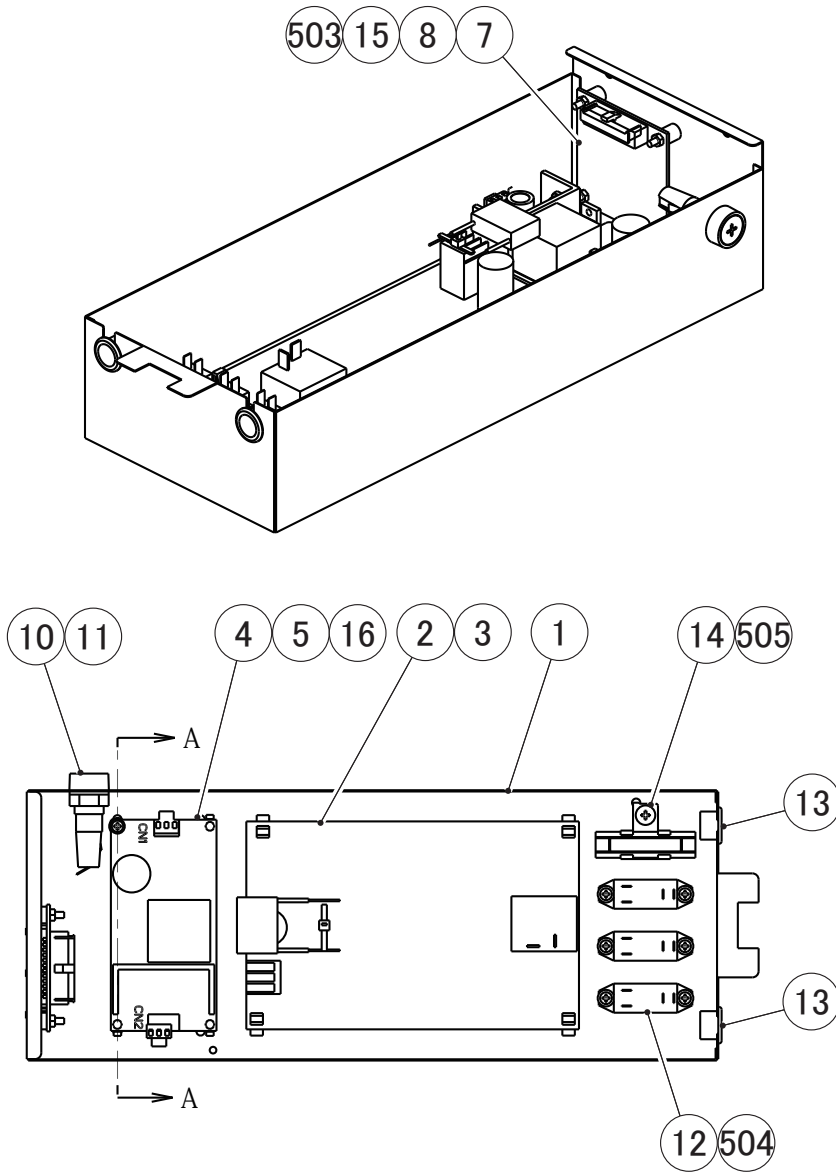




MODEL: **KM-130C**TITLE: **D. WATER CIRCUIT**

INDEX NO.	DESCRIPTION	MATERIAL OR MODEL NUMBER	PART NUMBER	REQ'D NUMBER			
				M-0 and later			
1	BRACKET / ICE MAKING 制冰支架		130376G01	1			
2	WATER TANK 水槽		130372P01	1			
3	CUBE GUIDE (A) 导冰架 (A)		250742-01	2			
4	CUBE GUIDE© 导冰架 (A)©		250740-01	1			
5	SPRAY GUIDE 散水导向		252052P03	1			
6	WATER SUPPLY TUBE 供水管		250743-03	1			
7	SPRAY TUBE - 24 散水管-24		255329P01	1			
8	PLUG 塞子		4C0037R01	1			
9	PUMP MOTOR 泵马达	Except F178-C151,C251	281831G02	1			
		F178-C151,C251	281831G01	1			
10	BRACKET/FLOAT SWITCH 浮子开关支架		368339-01	1			
11	FLOAT SWITCH 浮子开关		4A3624-04	1			
12	COVER - WV MV盖		486925M01	1			
13	WATER VALVE 水阀	Except F178-C121,C221	P01031-01	1			
		F178-C121,C221	P04931-01	1			
14	WATER SUPPLY HOSE 供水管		394431R01	1			
15	Si Hose 硅胶管		H11418285	1			
16	WATER SUPPLY HOSE G 供水管组件		394644G01	1			
17	PIPE - OVERFLOW 满溢管		394428P01	1			
18	Si Hose 硅胶管		H11418025	1			
19	INSULATION (A) - MECHANISM 机械隔热材 (A)		283372P01	1			
20	INSULATION (B) - MECHANISM 机械隔热材 (B)		487881P01	1			
21	HOSE 软管	F178-C101,C201,C151 C251	P01401-01	1			
	INLET HOSE 进水管	F178-C121,C141,C161 C162,C171,C175,C191 C221,C241,C261,C262 C271,C275,C291	P00554-01	1			
		F178-C111,C211	P04369-01	1			
501	THUMBSCREW 翼形螺栓		415949G12	2			
502	T2 TRUSS HEAD SCREW T2大圆头螺丝		FT20416M0	1			
503	T2 TRUSS HEAD SCREW T2大圆头螺丝		FT20410M0	2			





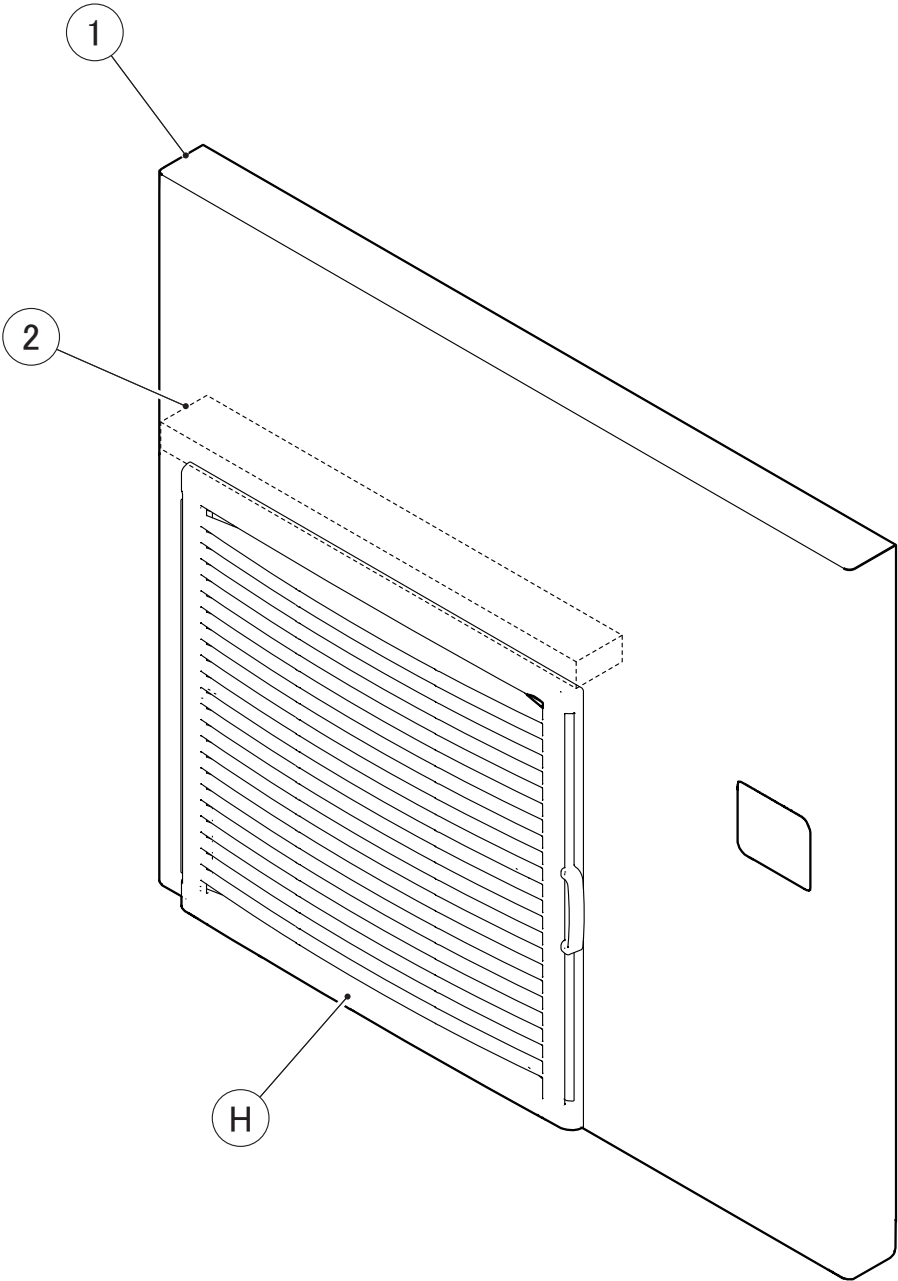
MODEL: **KM-130C**TITLE: **F. CONTROL BOX ASSY**

INDEX NO.	DESCRIPTION	MATERIAL OR MODEL NUMBER	PART NUMBER	REQ'D NUMBER			
				M-0 and later			
1	CONTROL BOX 控制盒组件	F178-C101,C121,C151 C161,C162,C171,C175 C191 C201,C221,C251,C261 C262,C271,C275,C291	394465G01	1			
		F178-C111,C211,C141 C241	394465G02	1			
2	BOARD SUPPORT 支撑板		414929-02	4			
3	CONTROLLER BOARD 控制板		P05559-01	1			
4	BOARD SUPPORT 支撑板		460857-01	3			
5	SWITCHING REGULATOR 开关适配器	F178-C101,C121,C151 C161,C162,C171,C175 C191 C201,C221,C251,C261 C262,C271,C275,C291	P03293-01	1			
		F178-C111,C211,C141 C241	P05898-01	1			
6	SUPPORT 支撑		428599-01	1			
7	SPACER 垫片		451658-05	4			
8	OPERATION BOARD 操作板		P03549-02	1			
9	CAPACITOR 电容	Except F178-C151,C251	P06115-01	1			
		F178-C151,C251	P00228-01	1			
10	FUSE HOLDER 保险丝支架		P00014-01	1			
11	FUSE 保险丝		P00015-01	1			
12	POWER RELAY 电力继电器		430173-12	3			
13	BUSHING 衬套		428394-01	2			
14	CEMENT RESISTOR 电阻器	F178-C111,C211,C141 C241	P05881-01	1			
15	HARNESS - OPERATION 操作线束		393050A01	1			
16	HARNESS - SWITCHING REGULATOR 开关适配器线束	F178-C101,C121,C151 C161,C162,C171,C175 C191 C201,C221,C251,C261 C262,C271,C275,C291	393051A01	1			
	HARNESS(B) - SWITCHING REGULATOR 开关适配器线束 (B)	F178-C111,C211,C141 C241	393745A01	1			
501	FLAT WASHER 平垫片		FWPL03S0	1			
502	PAN HEAD SCREW SW 盘头螺丝SW		FSK0306S0	2			
503	NUT 螺栓		FNH103F0	4			

MODEL: **KM-130C**

TITLE: **F. CONTROL BOX ASSY**

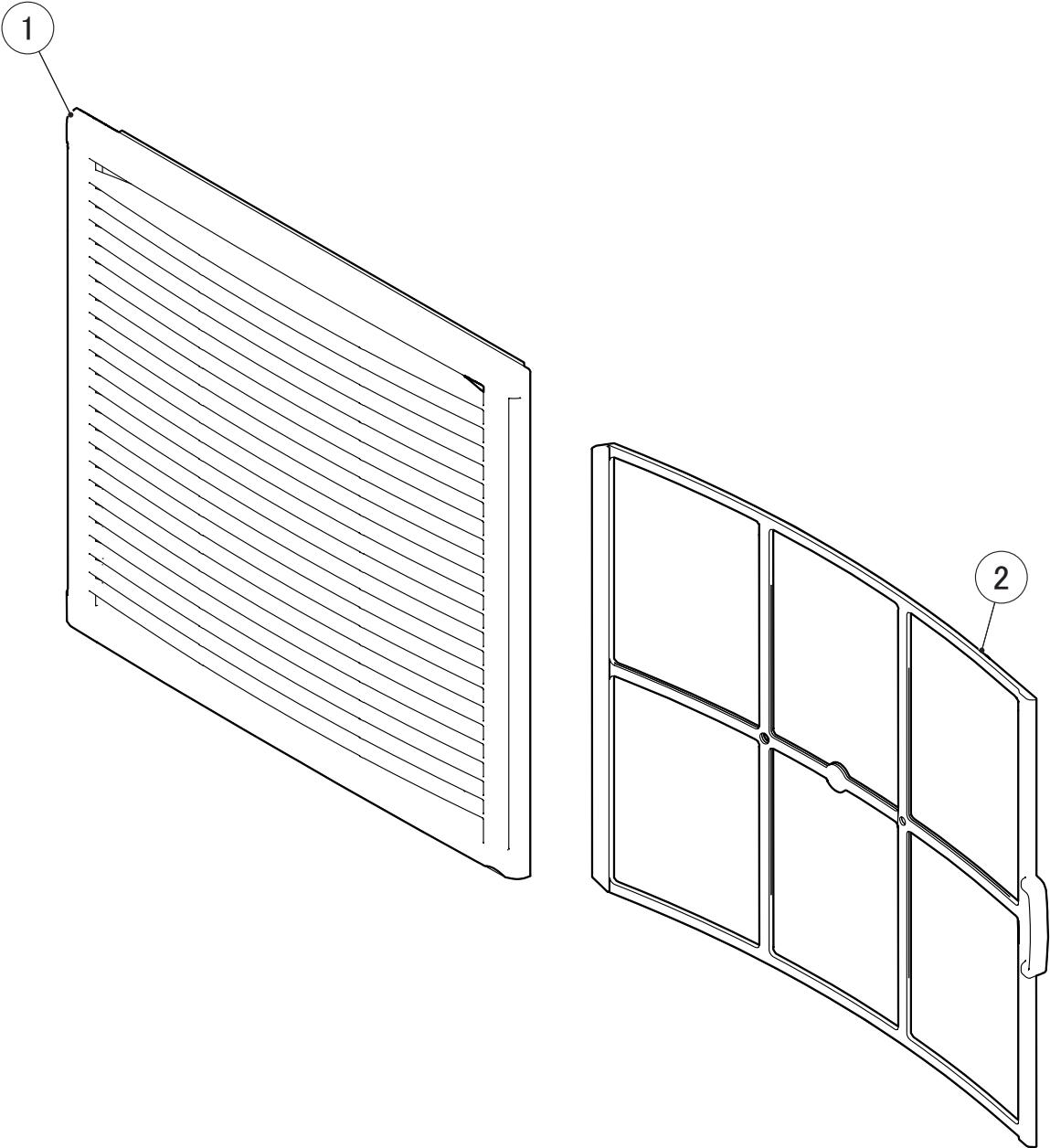
INDEX NO.	DESCRIPTION	MATERIAL OR MODEL NUMBER	PART NUMBER	REQ'D NUMBER			
				M-0 and later			
504	T2(S) FLANGED PAN HEAD SCREW T2(S)法兰盘头螺丝		431415-01	6			
505	T2 TRUSS HEAD SCREW T2大圆头螺丝	F178-C111,C211,C141 C241	FT20408F0	1			
601	TIE 扎带		7920-0002	1			
701	WIRE RETAINER 电线固定夹		427902-05	1			



MODEL: **KM-130C**

TITLE: **G. FRONT COVER LOWER ASSY**

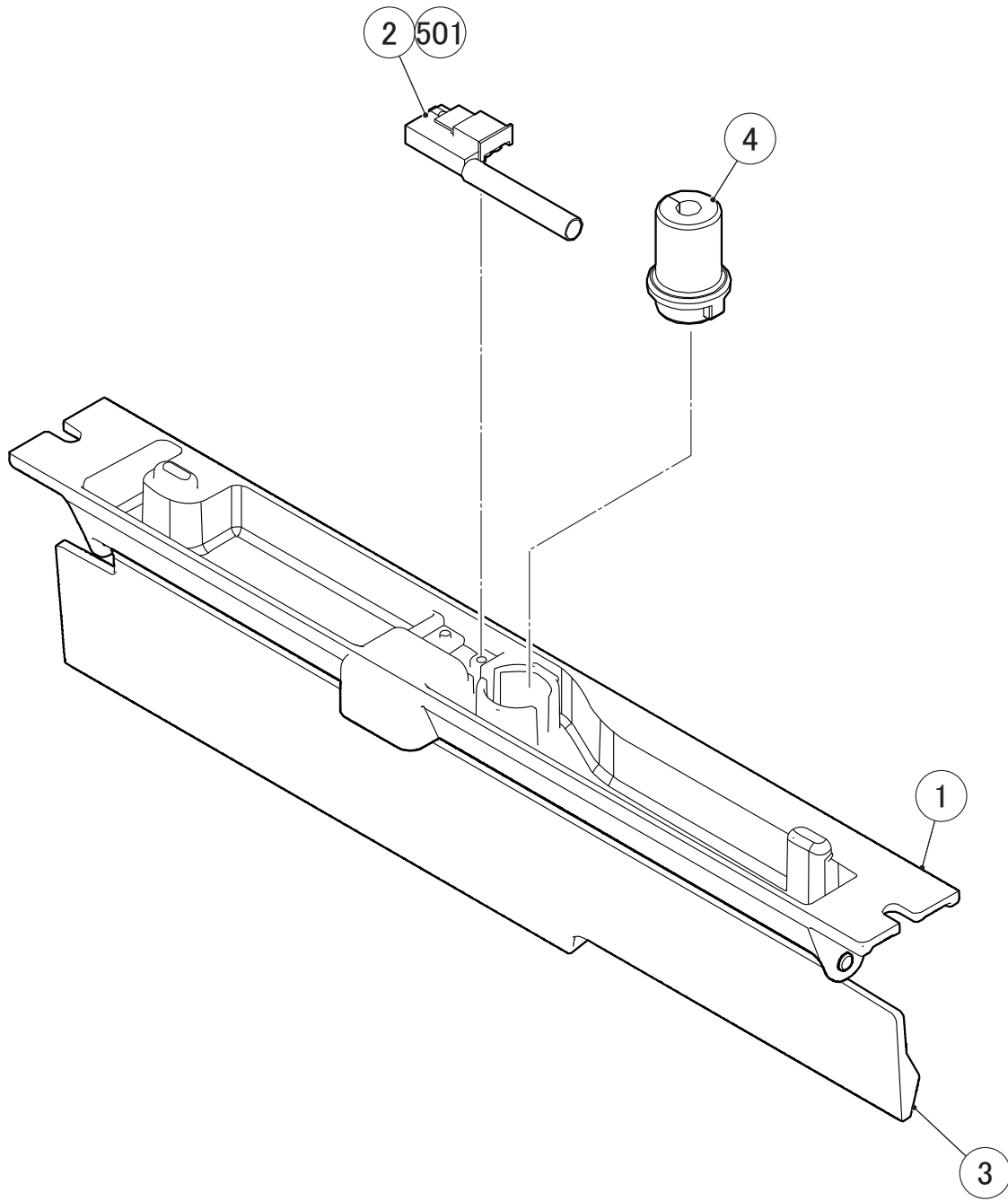
INDEX NO.	DESCRIPTION	MATERIAL OR MODEL NUMBER	PART NUMBER	REQ'D NUMBER			
				M-0 and later			
H	LOUVER ASSY 通风窗组件		377439A01	1			
1	FRONT COVER LOWER 前盖下		394466G01	1			
2	INSULATION - SHROUD 遮板隔热材		487866P01	1			



MODEL: **KM-130C**

TITLE: **H. LOUVER ASSY**

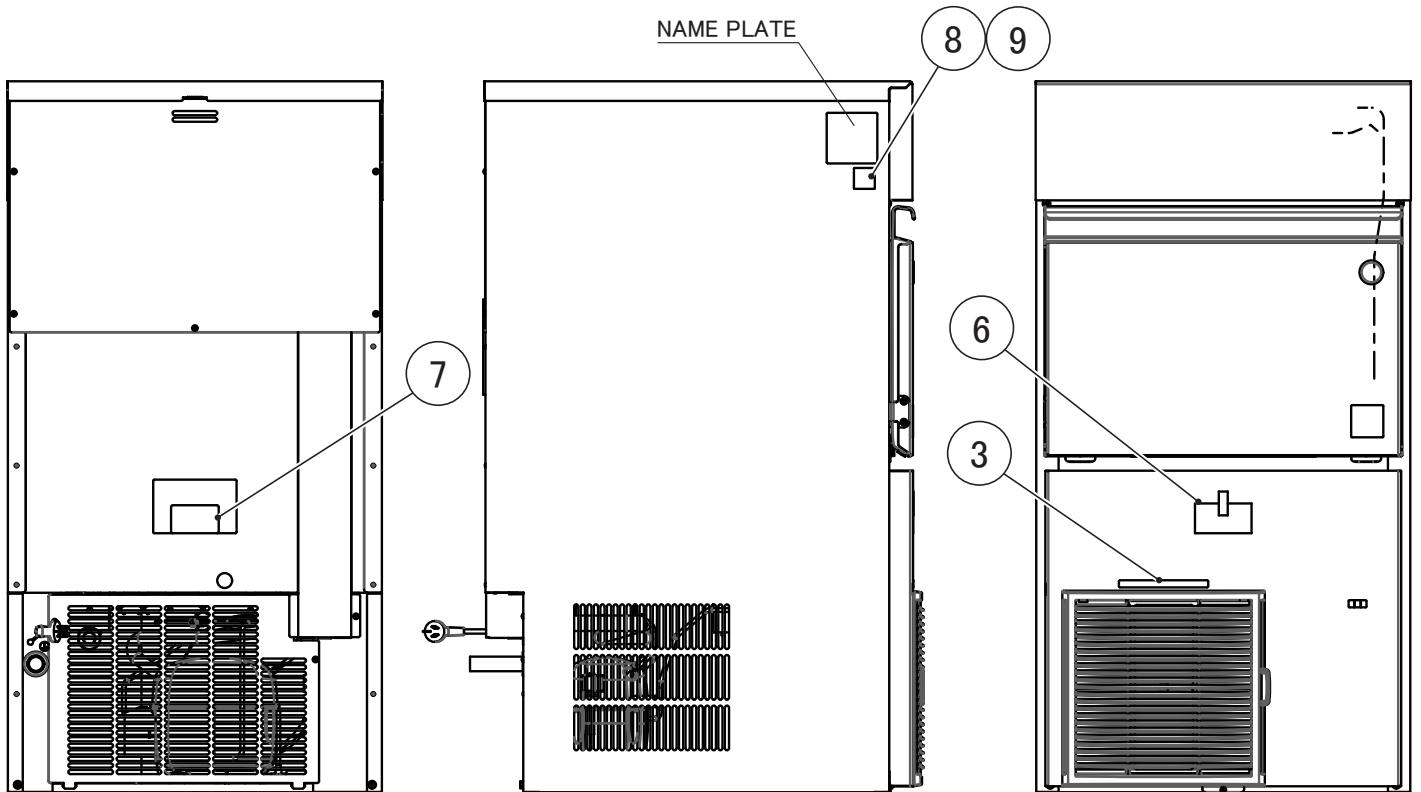
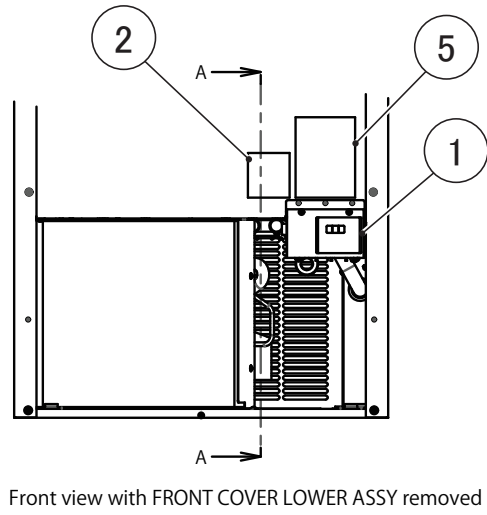
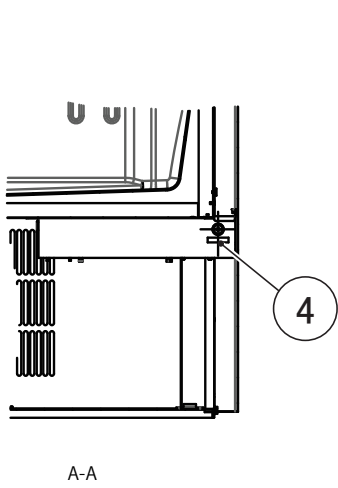
INDEX NO.	DESCRIPTION	MATERIAL OR MODEL NUMBER	PART NUMBER	REQ'D NUMBER			
				M-0 and later			
1	LOUVER 通风窗		121931P01	1			
2	AIR FILTER 过滤网		262259G01	1			



MODEL: **KM-130C**

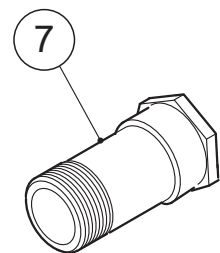
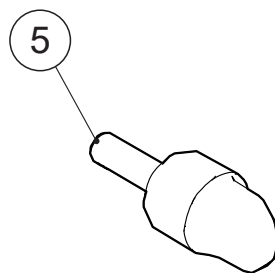
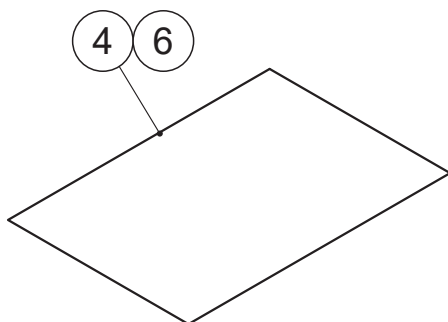
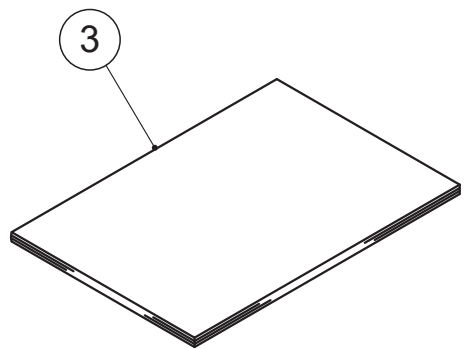
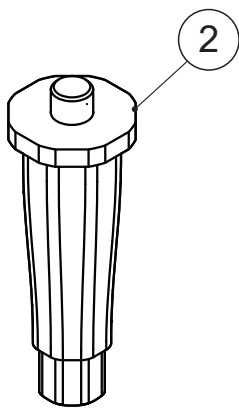
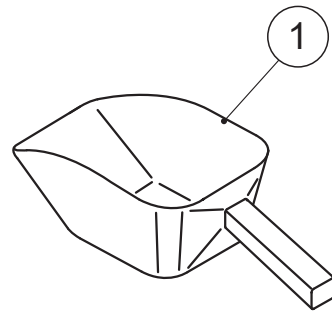
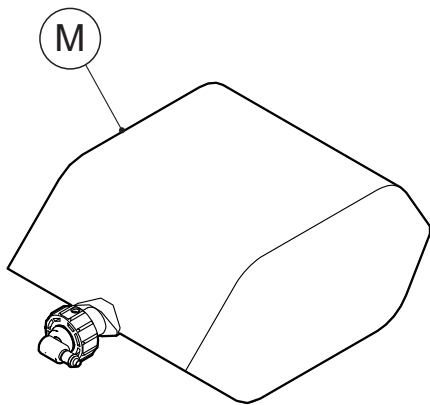
TITLE: **J. MECHANICAL BIN SWITCH**

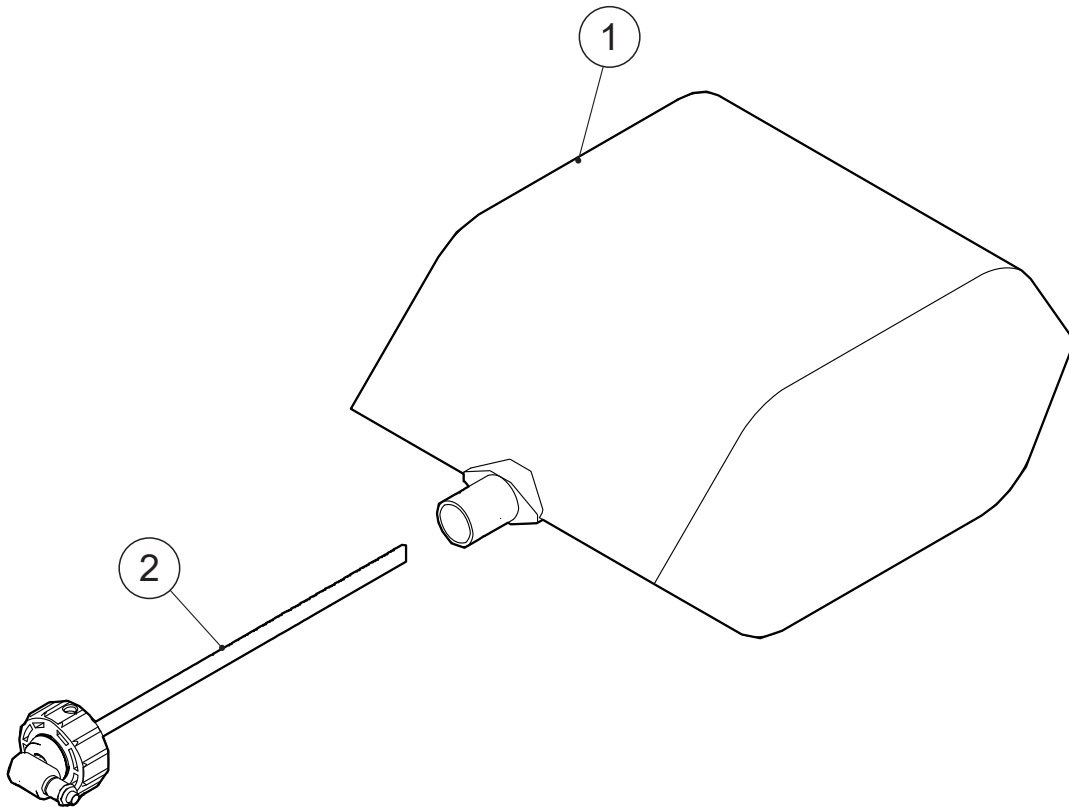
INDEX NO.	DESCRIPTION	MATERIAL OR MODEL NUMBER	PART NUMBER	REQ'D NUMBER			
				M-0 and later			
1	BASE - ACTUATOR 气缸底座		118845P01	1			
2	REED SWITCH (G) 引导开关		3C0316G02	1			
3	ACTUATOR 气缸		370981G01	1			
4	GROMMET € 金属丝		472446R01	1			
501	TRUSS HEAD TAPPING SCREW T2 T2大圆头自攻螺丝		FT20308M0	1			



MODEL: **KM-130C**TITLE: **K. LABEL LOCATION**

INDEX NO.	DESCRIPTION	MATERIAL OR MODEL NUMBER	PART NUMBER	REQ'D NUMBER			
				M-0 and later			
1	OPERATION LABEL 操作标签	F178-C101,C201,C191 C291	393032L01	1			
		F178-C111,C121,C141 C151,C161,C162,C171 C175 C211,C221,C241,C251 C261,C262,C271,C275,	392939L01	1			
2	CAUTION LABEL - SERVICE 维修报警标签	F178-C101,C201,C191 C291	471348L01	1			
		F178-C111,C121,C141 C151,C161,C162,C171 C175 C211,C221,C241,C251 C261,C262,C271,C275,	471180L01	1			
3	LABEL-AIR FILTER 空气过滤网标签	F178-C101,C201,C191 C291	455367-01	1			
		F178-C111,C121,C141 C151,C161,C162,C171 C175 C211,C221,C241,C251 C261,C262,C271,C275,	426177-01	1			
4	LABEL - FUSE 保险丝标签	F178-C101,C201,C191 C291	455370-04	1			
		F178-C111,C121,C141 C151,C161,C162,C171 C175 C211,C221,C241,C251 C261,C262,C271,C275,	466798-01	1			
5	WIRING LABEL 线路标签	F178-C101,C201	393002L01	1			
		F178-C191,C291	395312L01	1			
		F178-C121,C161,C162 C171,C175 C221,C261,C262,C271 C275	394457L01	1			
		F178-C151,C251	395301L01	1			
		F178-C111,C141 C211,C241	394579L01	1			
6	INSTRUCTION SHEET 说明书	F178-C101,C201,C191 C291	487030L01	1			
		F178-C111,C121,C141 C151,C161,C162,C171 C175 C211,C221,C241,C251 C261,C262,C271,C275,	487029L01	1			

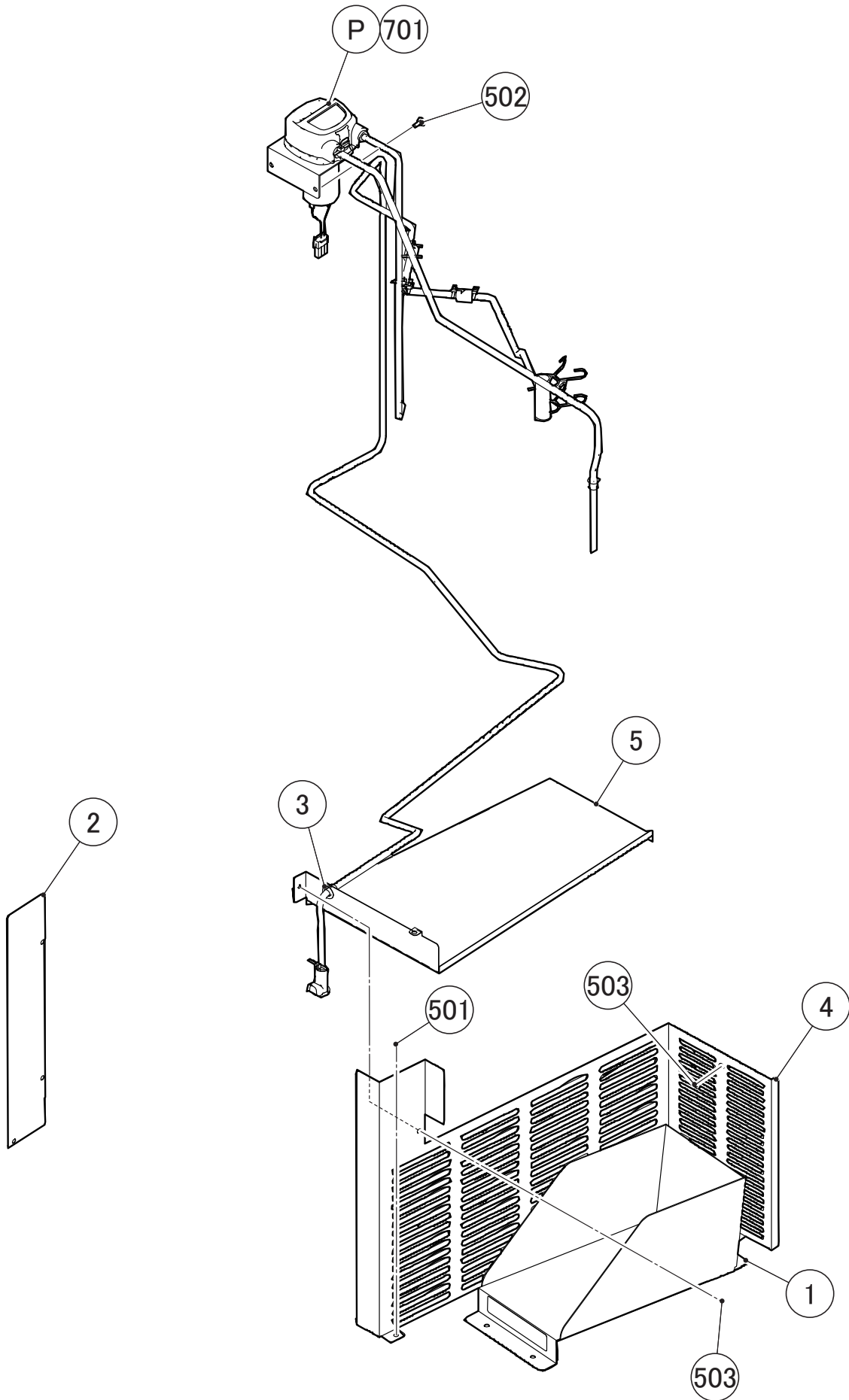


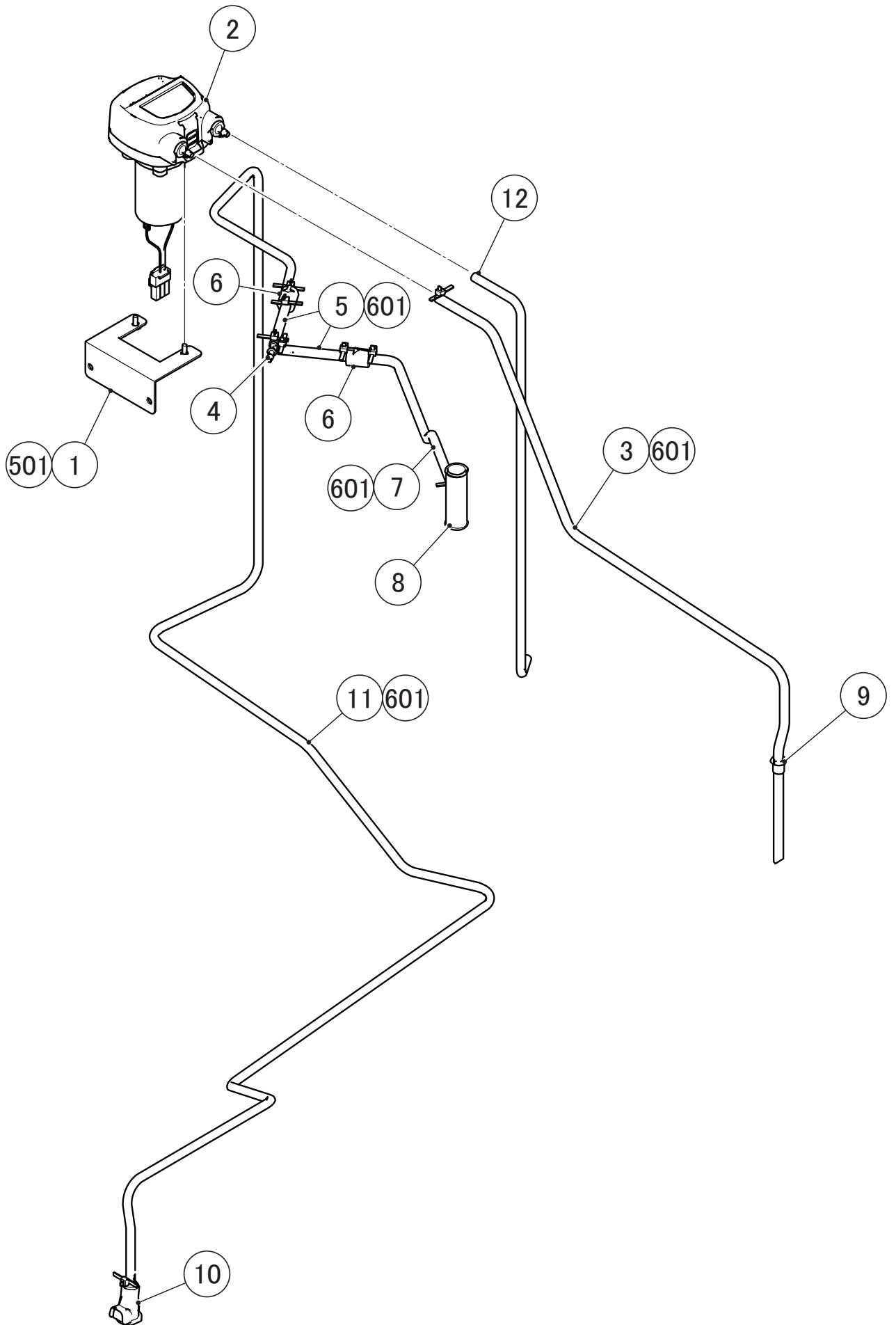


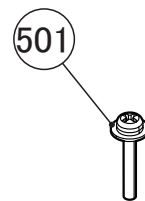
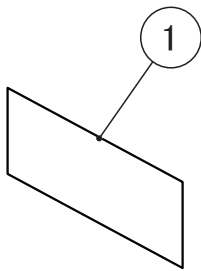
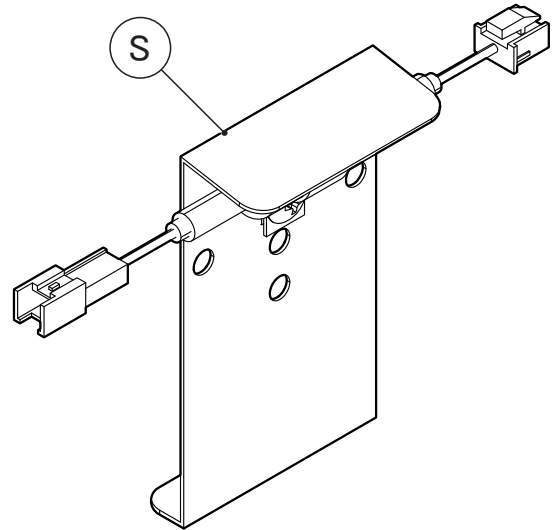
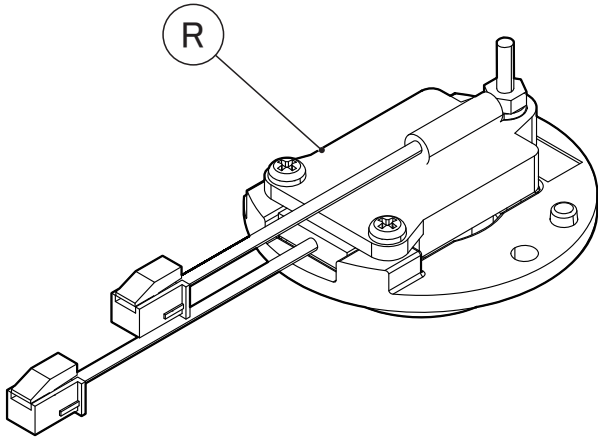
MODEL: **KM-130C-W**

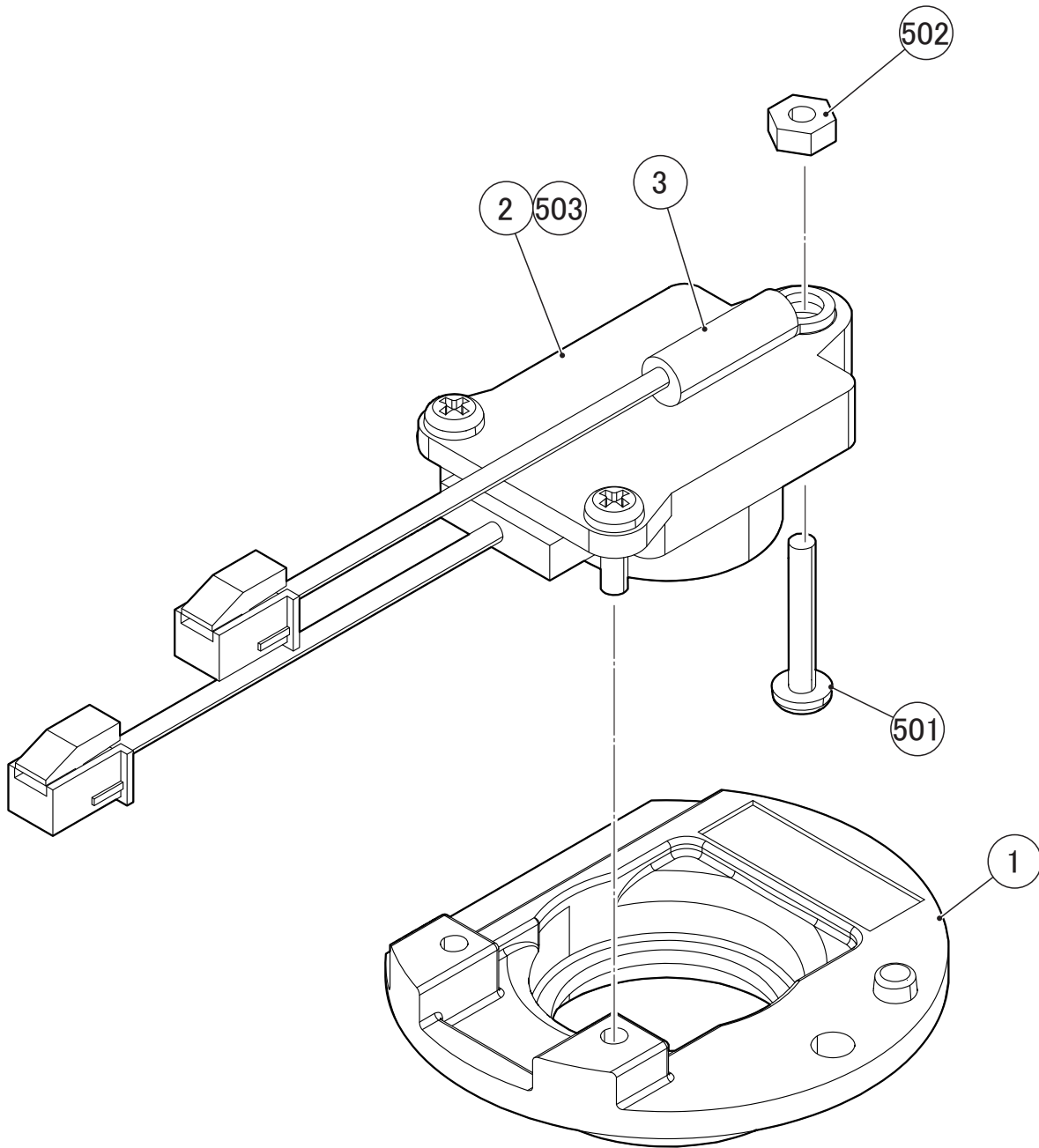
TITLE: **M. CLEANING PACK ASSY**

INDEX NO.	DESCRIPTION	MATERIAL OR MODEL NUMBER	PART NUMBER	REQ'D NUMBER			
				M-0 and later			
1	POUCH PACK 纸袋		P05400-02	1			
2	CLEANING FITTING ASSY 清洁装置单元		487373G01	1			









MODEL: **KM-130C-U**TITLE: **R. UV-LED ASSY**

INDEX NO.	DESCRIPTION	MATERIAL OR MODEL NUMBER	PART NUMBER	REQ'D NUMBER			
				M-0 and later			
1	HOLDER-UV LED UV LED支撑架		394842P01	1			
2	UV-LED *1		P06047-01	1			
3	THERMISTER-HEAT SINK 热敏电阻散热片 *1		P03877-01	1			
501	PAN HEAD MACHINE SCREW 平头机械螺丝		FSP0316S0	1			
502	NUT 螺栓		FNH103S0	1			
503	PAN HEAD TAPPING SCREW T2 T2平头机械螺丝		FT50308F0	2			

*1 Order together with INSTRUCTION SHEET: 284522L01 (EN) / 284296L01 (CH) for instructions.
订购说明书时, 请连同单张一起订购, 284522L01 (EN) / 284296L01 (CH)。

