



SELF-CONTAINED CRESCENT CUBER
MACHINE A GLACONS CROISSANT AUTONOME
STECKERFERTIGER CRESCENTEISBEREITER
INGEBOUWDE MACHINE VOOR HALVEMAANVORMIGE IJSBLOKJES
MÁQUINA AUTOCONTENIDA DE CUBITOS EN FORMA DE MEDIA LUNA
FABBRICATORE DI GHIACCIO IN CUBETTI A FORMA DI MEZZALUNA CON RISERVA INCORPORATA
SELVSTÆNDIG ISMASKINE TIL HALVMÅNEDFORMEDE ISTERNINGER
FRISTÅENDE MASKIN FÖR HALVMÅNFORMADE ISBITAR
FRITTSTÅENDE ISBITMASKIN – HALVMÅNER

KM-40C-HC
KM-60C-HC
KM-80C-HC
KM-140C-HC
KM-40C-HC-W
KM-60C-HC-W
KM-80C-HC-W
KM-140C-HC-W

INSTRUCTION MANUAL

(original instructions)

NOTICE D'UTILISATION

(instructions traduites)

BEDIENUNGSANLEITUNG

(Übersetzung)

GEBRUIKSAANWIJZING

(vertaalde instructies)

MANUAL DE INSTRUCCIONES

(instrucciones traducidas)

MANUALE D'ISTRUZIONI

(traduzione)

BETJENINGSVEJLEDNING

(oversættelse)

BRUKSANVISNING

(översättning)

BRUKSANVISNING

(oversettelse)



KM-80C-HC

HOSHIZAKI (SUZHOU) CO., LTD.

No. 15 Qingqiu Street, Suzhou Industrial Park, Suzhou 215126 China

L1F158211 (042022)

ENGLISH	IMPORTANT SAFETY INFORMATION	1
	I. INSTALLATION INSTRUCTIONS	3
	1. CONSTRUCTION	3
	2. ACCESSORIES	3
	3. UNPACKING	3
	4. LOCATION	4
	5. INSTALLATION	4
	6. ELECTRICAL CONNECTIONS	5
	7. WATER SUPPLY AND DRAIN CONNECTIONS	6
	II. OPERATING INSTRUCTIONS	7
	1. START UP	7
	2. USER SETTINGS	7
	3. PREPARING THE ICEMAKER FOR LONG STORAGE	8
	III. MAINTENANCE	9
	1. CLEANING	9
	2. BEFORE CALLING FOR SERVICE	11
	3. DISPOSAL	11
	4. WARRANTY	12
	SPECIFICATIONS	13
FRANÇAIS	INFORMATIONS DE SECURITE IMPORTANTES	14
	I. CONSIGNES D'INSTALLATION	16
	1. CONSTRUCTION	16
	2. ACCESSOIRES	16
	3. DEBALLAGE	16
	4. EMBLACEMENT	17
	5. INSTALLATION	18
	6. BRANCHEMENTS ELECTRIQUES	18
	7. BRANCHEMENTS D'ARRIVEE ET DE VIDANGE D'EAU	18
	II. CONSIGNES D'UTILISATION	19
	1. MISE EN MARCHE	20
	2. REGLAGES DE L'UTILISATEUR	20
	3. PREPARATION DU DISTRIBUTEUR DE GLACE EN VUE D'UN ENTREPOSAGE DE LONGUE DUREE	21
	III. MAINTENANCE	22
	1. NETTOYAGE	22
	2. AVANT D'APPELER UN REPARATEUR	24
	3. MISE AU REBUT	25
	4. GARANTIE	25
	SPECIFICATIONS	26
DEUTSCH	WICHTIGE SICHERHEITSHINWEISE	27
	I. INSTALLATIONSANLEITUNG	29
	1. KONSTRUKTION	29
	2. ZUBEHÖR	29
	3. ENTPACKEN	29
	4. AUFSTELLUNGSORT	30
	5. INSTALLATION	30
	6. ELEKTRISCHE ANSCHLÜSSE	31
	7. WASSERZULAUF- UND WASSERABFLUSSANSCHLÜSSE	31
	II. BEDIENUNGSANLEITUNG	33
	1. INBETRIEBNAHME	33
	2. BENUTZEREINSTELLUNGEN	33
	3. MASSNAHMEN FÜR DIE LANGFRISTIGE LAGERUNG DES EISBEREITERS	34
	III. WARTUNG	35
	1. REINIGUNG	35
	2. VOR ANRUF DES KUNDENDIENSTES	37
	3. ENTSORGUNG	38
	4. GARANTIE	38
	TECHNISCHE DATEN	39

NEDERLANDS	BELANGRIJKE VEILIGHEIDSINFORMATIE	40
	I. INSTALLATIE-INSTRUCTIES	42
	1. CONSTRUCTIE	42
	2. ACCESSOIRES	42
	3. UITPAKKEN	42
	4. LOCATIE	43
	5. INSTALLATIE	44
	6. ELEKTRISCHE AANSLUITINGEN	44
	7. AANSLUITING VAN WATERTOEOVOER- EN WATERAFVOERLEIDINGEN	45
	II. BEDIENINGSINSTRUCTIES	46
	1. OPSTARTEN	46
	2. GEBRUIKERSINSTELLINGEN	46
	3. DE IJSMAKER GEREEDMAKEN VOOR LANGDURIGE OPSLAG	47
	III. ONDERHOUD	48
	1. REINIGING	48
	2. VOORDAT U BELT VOOR SERVICE	50
	3. VERWIJDERING	51
	4. GARANTIE	51
	SPECIFICATIES	52
ESPAÑOL	INFORMACIÓN IMPORTANTE DE SEGURIDAD	53
	I. INSTRUCCIONES DE INSTALACIÓN	55
	1. ESTRUCTURA	55
	2. ACCESORIOS	55
	3. DESEMBALAJE	55
	4. UBICACIÓN	56
	5. INSTALACIÓN	57
	6. CONEXIONES ELÉCTRICAS	57
	7. SUMINISTRO DE AGUA Y CONEXIONES DE DRENAJE	57
	II. INSTRUCCIONES DE UTILIZACIÓN	59
	1. PUESTA EN MARCHA	59
	2. AJUSTES DE USUARIO	59
	3. PREPARACIÓN DE LA MÁQUINA DE HIELO PARA UN ALMACENAMIENTO PROLONGADO	60
	III. MANTENIMIENTO	61
	1. LIMPIEZA	61
	2. ANTES DE LLAMAR AL SERVICIO TÉCNICO	63
	3. ELIMINACIÓN	64
	4. GARANTÍA	64
	ESPECIFICACIONES	65
ITALIANO	INFORMAZIONI IMPORTANTI SULLA SICUREZZA	66
	I. ISTRUZIONI PER L'INSTALLAZIONE	68
	1. COMPONENTI	68
	2. ACCESSORI	68
	3. DISIMBALLAGGIO	68
	4. UBICAZIONE	69
	5. INSTALLAZIONE	69
	6. COLLEGAMENTI ELETTRICI	70
	7. COLLEGAMENTO ALL'APPROVVIGIONAMENTO DELL'ACQUA E COLLEGAMENTO DI SCARICO	70
	II. ISTRUZIONI DI FUNZIONAMENTO	72
	1. AVVIO	72
	2. IMPOSTAZIONI UTENTE	72
	3. PREPARATIVI PER LA CONSERVAZIONE A LUNGO TERMINE DELLA MACCHINA	73
	III. MANUTENZIONE	74
	1. PULIZIA	74
	2. PRIMA DI RIVOLGERSI ALL'ASSISTENZA	76
	3. SMALTIMENTO	77
	4. GARANZIA	77
	SPECIFICHE	78

DANSK	VIGTIGE SIKKERHEDSOPLYSNINGER.....	79
	I. INSTALLATIONSANVISNINGER.....	81
	1. OPBYGNING.....	81
	2. TILBEHØR.....	81
	3. UDPAKNING.....	81
	4. PLACERING.....	82
	5. INSTALLATION.....	83
	6. ELEKTRISKE FORBINDELSER.....	83
	7. VANDFORSYNING- OG AFLØBSTILSLUTNINGER.....	84
	II. BETJENINGSANVISNINGER.....	85
	1. START.....	85
	2. BRUGERINDSTILLINGER.....	85
	3. FORBEREDELSE AF ISTERNINGMASKINEN MED HENBLIK PÅ LANG TIDS OPBEVARING.....	86
	III. VEDLIGEHOJDELSE.....	87
	1. RENGØRING.....	87
	2. FØR DU TILKALDER SERVICE.....	89
	3. BORTSKAFFELSE.....	90
	4. GARANTI.....	90
	SPECIFIKATIONER.....	91
SVENSKA	VIKTIG SÄKERHETSINFORMATION.....	92
	I. INSTALLATIONSANVISNINGAR.....	94
	1. KONSTRUKTION.....	94
	2. TILLBEHÖR.....	94
	3. PACKA UPP MASKINEN.....	94
	4. PLACERING.....	95
	5. INSTALLATION.....	96
	6. ELEKTRISKA ANSLUTNINGAR.....	96
	7. VATTEN- OCH DRÄNERINGSANSLUTNINGAR.....	96
	II. ANVÄNDNING.....	98
	1. START.....	98
	2. ANVÄNDARINSTÄLLNINGAR.....	98
	3. FÖRBEREDA ISMASKINEN FÖR LÅNGVARIG FÖRVARING.....	99
	III. UNDERHÅLL.....	100
	1. RENGÖRING.....	100
	2. INNAN DU RINGER SERVICE.....	102
	3. AVYTTRING.....	103
	4. GARANTI.....	103
	SPECIFIKATIONER.....	104
NORSK	VIKTIG SIKKERHETSINFORMASJON.....	105
	I. INSTALLASJONSVEILEDNING.....	107
	1. KONSTRUKSJON.....	107
	2. TILBEHØR.....	107
	3. PAKKE OPP.....	107
	4. PLASSERING.....	108
	5. INSTALLASJON.....	109
	6. ELEKTRISKE TILKOBLINGER.....	109
	7. VANNTILFØRSEL OG AVLØP.....	109
	II. BRUK.....	110
	1. OPPSTART.....	111
	2. BRUKERINNSTILLINGER.....	111
	3. KLARGJØRING AV ISBITMASKINEN FOR LANG OPPBEVARING.....	112
	III. VEDLIKEHOLD.....	113
	1. RENGJØRING.....	113
	2. FØR DU RINGER ETTER SERVICE.....	115
	3. KASSERING.....	115
	4. GARANTI.....	116
	SPESIFIKASJONER.....	117

IMPORTANT SAFETY INFORMATION

Throughout this manual, notices appear to bring your attention to situations which could result in death, serious injury, or damage to the unit.

▲WARNING	Indicates a hazardous situation which, if not avoided, could result in death or serious injury.
▲CAUTION	Indicates a hazardous situation which, if not avoided, could result in minor or moderate injury.
NOTICE	Indicates a hazardous situation which, if not avoided, could result in damage to the unit.
▲HYGIENE	Indicates important precautions for hygiene and food safety.
IMPORTANT	Indicates important information about the use and care of the unit.

This icemaker uses HFC-free refrigerant (propane) that is a non-ozone-depleting and environmentally sustainable material having very low global warming potential.

▲WARNING	
This icemaker contains flammable refrigerant in its cooling unit; installation, handling, servicing and disposal must therefore only be carried out by authorized technicians.	
The refrigerant contained in this icemaker is flammable and sealed in the refrigeration system. Although the refrigerant does not leak out under normal usage, take utmost care when handling this icemaker so as not to cause any damages to the system.	
In the case of accidental damage to the refrigeration system causing refrigerant leak:	
<ul style="list-style-type: none"> * Do not create a source of ignition in the area. * Do not operate electrical switches or plugs in the area. * Do not use naked flame. * Immediately ventilate the area by opening doors and/or windows. * Call service engineer. 	
IMPORTANT	
This booklet is an integral and essential part of the product and should be kept and preserved by the user.	
Please read carefully the guidelines and warnings contained herein as they are intended to provide the installer/user with essential information for the proper installation and the continued safe use and maintenance of the product.	
Please preserve this booklet for any further consultation that may be necessary.	

⚠WARNING

This is a commercial icemaker, and should be destined only to be used for the purpose for which it has been expressly designed.

Any other use should be considered improper and therefore dangerous. The manufacturer will not be held liable or responsible for any damage caused by improper, incorrect and unreasonable use.

The installation, and relocation if necessary, must be carried out by qualified personnel, in accordance with current regulations, according to the manufacturer's instructions.

Keep ventilation openings, in the appliance enclosure or in the built-in structure, clear of obstruction.

Do not use mechanical devices or other means to accelerate the defrosting process, other than those recommended by the manufacturer.

The use of any electrical appliance involves the observance of some fundamental rules. In particular:

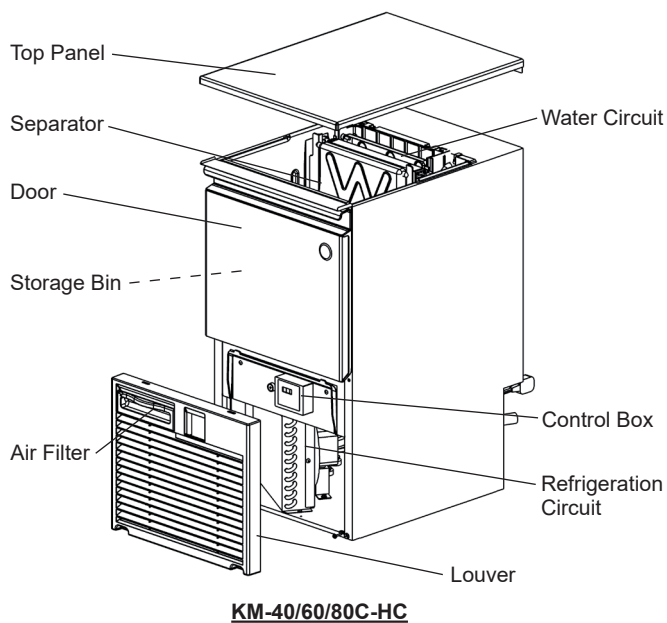
- * Instances of high humidity and moisture increase the risk of electrical short circuits and potential electrical shocks. If in doubt, disconnect the icemaker.
- * Do not damage the power cord or pull it in order to disconnect the icemaker from the electrical supply network.
- * If the supply cord is damaged, it must be replaced by a replacement cord available from Hoshizaki Parts/Service Centres.
- * Do not touch the electrical parts or operate the switches with damp hands.
- * This appliance is not intended for use by persons (including children) with reduced physical, sensory or mental capabilities, or lack of experience and knowledge, it can however be used by children aged from 8 years and above and persons with reduced physical, sensory or mental capabilities, or lack of experience and knowledge providing they have been given supervision or instruction concerning use of the appliance by a person responsible for their safety.
- * Children shall not play with the appliance.
- * Cleaning and user maintenance shall not be made by children without supervision.
- * Do not attempt to modify the icemaker. Only qualified personnel may disassemble or repair the appliance.

When positioning the appliance, ensure the supply cord is not trapped or damaged.

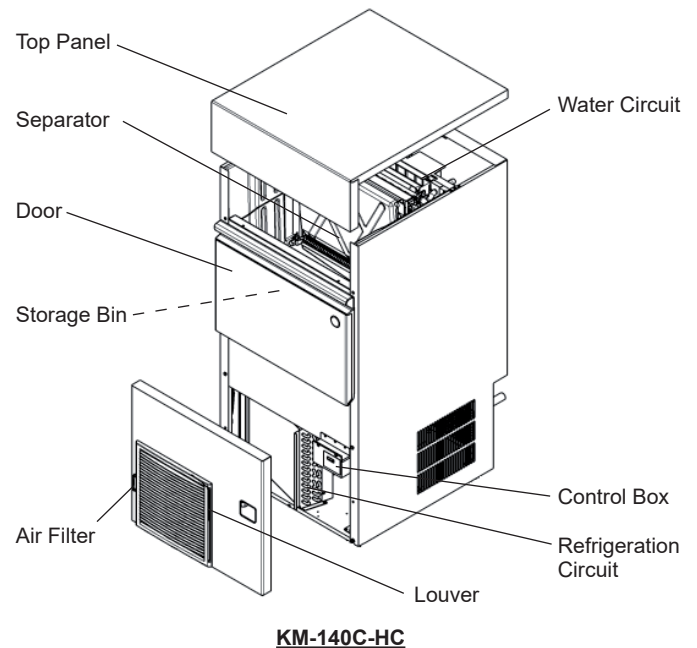
Do not locate multiple portable socket-outlets or portable power supplies at the rear of the appliance.

I. INSTALLATION INSTRUCTIONS

1. CONSTRUCTION



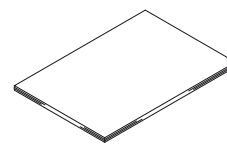
KM-40/60/80C-HC



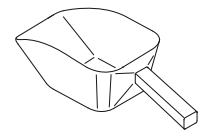
KM-140C-HC

2. ACCESSORIES

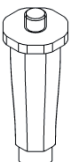
	KM-40C-HC KM-60C-HC KM-80C-HC	KM-140C-HC	KM-40C-HC-W KM-60C-HC-W KM-80C-HC-W	KM-140C-HC-W
Instruction Manual	1	1	1	1
Scoop	1	1	1	1
Leg	4	4	4	4
Power Supply Cord (Continental)	1	1	1	1
Power Supply Cord (UK)	1	1	1	1
Pan Head Screw with Washer (M4 x 30) (louver fixing)	2	-	-	-
Thumbscrew (louver fixing)	-	-	2	1
Spacer (M4) (louver fixing)	-	-	2	-
Cleaning Pack Assy	-	-	1	1



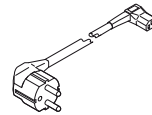
Instruction Manual



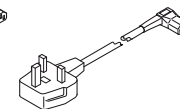
Scoop



Leg



Power Supply Cord



Power Supply Cord



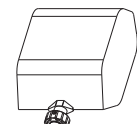
Pan Head Screw with Washer



Thumbscrew



Spacer



Cleaning Pack Assy

3. UNPACKING

⚠ WARNING

Children should not be allowed in reach of the packaging elements (plastic bags and expanded polystyrene) as they are potential sources of danger.

⚠ CAUTION

Do not lift or manoeuvre the carton by using the shipping bands.

When moving the unit by hand, remove the louver and hold the unit bottom. Do not hold the top panel or door. It may come off and cause injury.

Always wear protective gloves when carrying the unit.

When handling the carton or the unpacked unit, work in pairs to prevent injury.

ENGLISH

NOTICE

Remove shipping carton, tape(s) and packing. If packing material is left in the icemaker, it will not work properly.

- 1) After removing the packaging, make sure that the icemaker is in good condition. If in doubt, please do not use the icemaker but apply to professionally qualified personnel.
- 2) Remove the shipping tape holding the door and separator.
- 3) Remove the protective plastic film from the exterior. If the icemaker is exposed to the sun or to heat, remove the film after the icemaker cools.
- 4) Remove the package of accessories. Check the contents according to "2. ACCESSORIES".

4. LOCATION

⚠ WARNING

This icemaker is not intended for outdoor use.

The icemaker should not be located next to ovens, grills or other high heat producing equipment.

This appliance is not suitable for installation in an area where a water jet could be used.

⚠ CAUTION

The location should provide a firm and level foundation for the icemaker.

NOTICE

Do not place anything on top of the icemaker or in front of the louver.

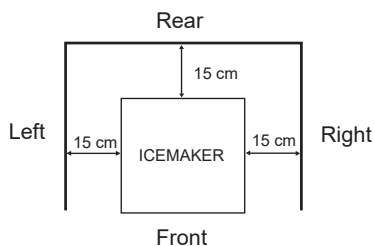
IMPORTANT

Normal operating ambient temperature should be within 7°C to 38°C. Normal operating water temperature should be within 7°C to 32°C. Operation of the icemaker, for extended periods, outside of these normal temperature ranges may affect production capacity.

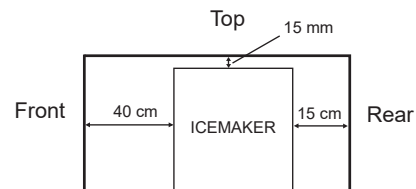
Allow the clearance specified below for proper air circulation and ease of maintenance and/or service should they be required.

[KM-40/60/80C-HC(-W)]

Top View

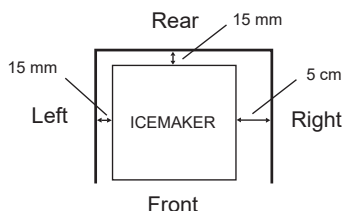


Side View

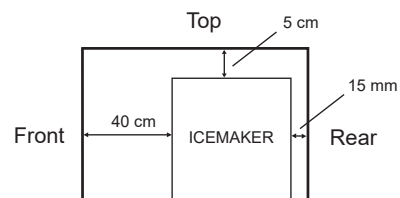


[KM-140C-HC(-W)]

Top View



Side View



In some high humidity environments, condensation may form inside the machine and drip onto the floor. Do not install where the floor can be affected by water.

Avoid prolonged exposure of the appliance to direct sunlight.

5. INSTALLATION

⚠ CAUTION

Incorrect installation can cause harm to people, animals or other items, for which the manufacturer cannot be held responsible.

- * Place the icemaker in the selected permanent site.
- * The appliance must be positioned so that the plug is accessible.
- * Level the icemaker in both the left-to-right and front-to-rear directions by adjusting the legs.

6. ELECTRICAL CONNECTIONS

⚠ WARNING

THIS APPLIANCE MUST BE EARTHED

This icemaker requires an earth that meets the national and local electrical code requirements.

To prevent possible severe electrical shock to individuals or extensive damage to the unit, install a proper earth wire to the icemaker.

Disconnect the main power supply before any maintenance, repairs or cleaning is undertaken.

- * This appliance requires a separate 220 - 240VAC, 10A supply. The electrical supply must be protected by a suitable circuit breaker.
- * The main control box fuse is rated at 5A and should only be replaced by a qualified service engineer.
- * Usually an electrical permit and services of a licensed electrician are required.

For the U.K. and the Republic of Ireland only

- * The wires in the mains lead are coloured in accordance with the following code:

Green & Yellow = Earth

Blue = Neutral

Brown = Live

As the colours of the wire in the mains lead of this appliance may not correspond with the coloured markings identifying the terminals in your plug, proceed as follows:

The wire which is coloured Green-and-Yellow must be connected to the terminal in the plug which is marked with the letter E or by the symbol \perp or coloured Green or Green-and-Yellow. The wire which is coloured Blue must be connected to the terminal which is marked with the letter N or coloured Black. The wire which is coloured Brown must be connected to the terminal which is marked with the letter L or coloured Red.

- * Should the socket outlets in the installation site not be suitable for the plug supplied with your product, the plug must be removed (cut off if it is moulded on plug) and an appropriate plug fitted.

If the non-rewirable plug has been cut from the power supply cord, it must be disposed of. There should be no attempt to reuse it. Inserting such a plug into a socket elsewhere presents a serious risk of electrical shock.

- * The non-rewirable plug must never be used without a fuse cover being fitted.

The correct replacement for the detachable fuse cover is identifiable from the manufacturer's reference number stamped on the plug.

Supply of replacement fuse covers can be obtained from Hoshizaki Parts/Service Centres.

Fuses should be rated at 10A and approved to BS 1362.

ENGLISH

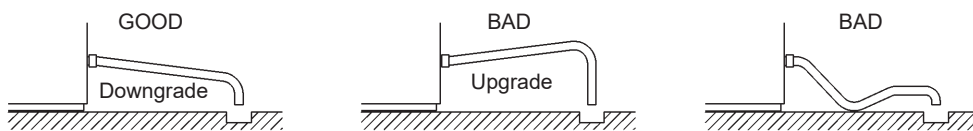
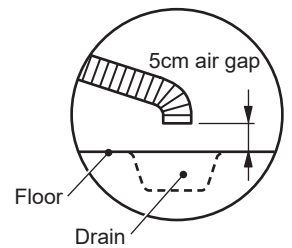
7. WATER SUPPLY AND DRAIN CONNECTIONS

⚠ WARNING

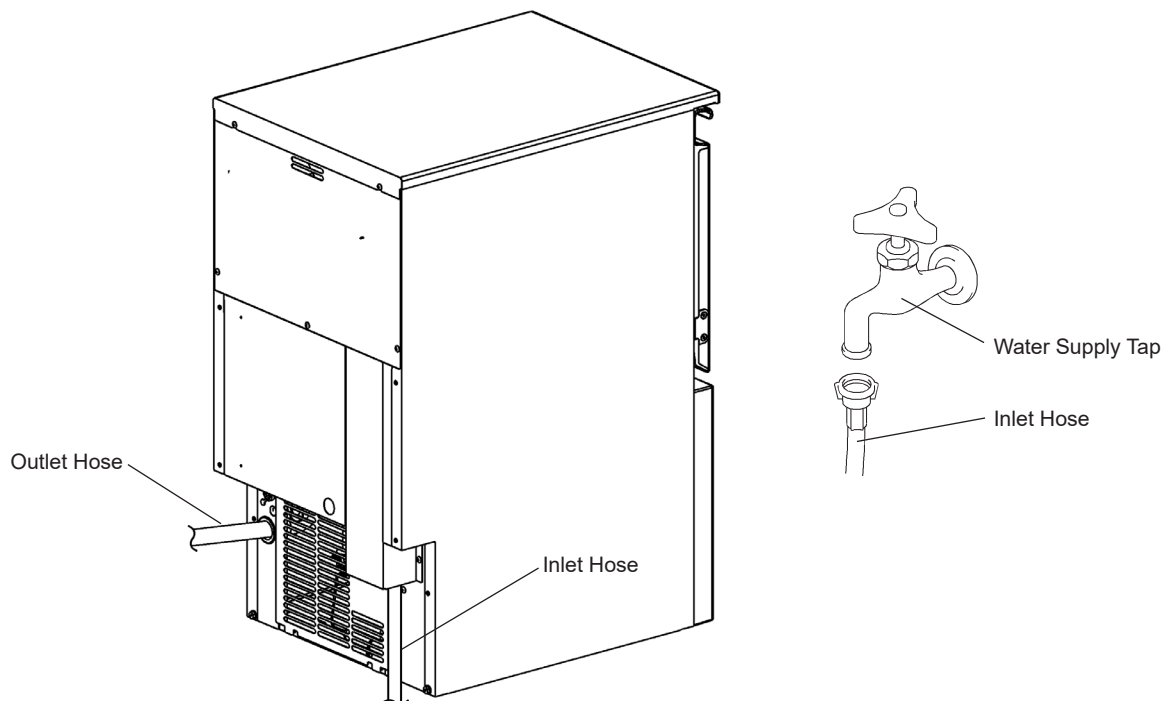
Connect to potable cold water supply only.



- * The connections to the mains water supply must be made in accordance with the countries' current requirements of the Water Supply or Water Fittings Regulations.
- * Icemaking water must be potable water. Where scaling can be caused by water quality, installation of an external filter or softener is recommended. Contact your local water treatment professional or Hoshizaki service agent.
- * Water supply pressure should be minimum 0.07 MPa (0.7 bar) and maximum 0.8 MPa (8 bar). If the pressure exceeds 0.8 MPa (8 bar), use a proper pressure reducing valve. Do **NOT** throttle back the supply tap.
- * A plumbing permit and services of a licensed plumber may be required in some areas.
- * The icemaker drain is gravity flow, so ensure drain hose has an adequate pitch or fall.
- * Drain lines should not be installed directly to the sewer system. A vertical air gap of a minimum of 5 cm should be between the end of the drain hoses from the icemaker and the floor drain.
- * To prevent a backflow into the storage bin, the outlet hose must be laid as shown.



- 1) Attach the free end of inlet hose to the water tap, noting washer is correctly positioned. Hand tighten sufficiently to provide leak free joint. It is a wise precaution to have a stop valve within easy reach.
- 2) The outlet hose can be cut to length as necessary to suit position of main drain.



II. OPERATING INSTRUCTIONS

NOTICE

All parts are factory-adjusted. Improper adjustments may result in failure.

If the unit is turned off, wait for at least 3 minutes before restarting the icemaker to prevent damage to the compressor.

▲HYGIENE

This icemaker is designed to produce edible ice. To keep the icemaker hygienic:

- * Wash your hands before removing ice. Use the plastic scoop provided (accessory).
- * The storage bin is for ice use only. Do not store anything else in the bin nor use other electrical appliances in the bin.
- * Clean the storage bin before use (see "III. 1. CLEANING").
- * Keep the scoop clean. Clean it by using a neutral cleaner and rinse thoroughly.
- * Close the door after removing ice to prevent entrance of dirt, dust or insects into the storage bin.

Operation Panel

[1] Display

run: Icemaking
oFF: Shut down
FUL: Bin full
cln: Cleaning

[2] Dot

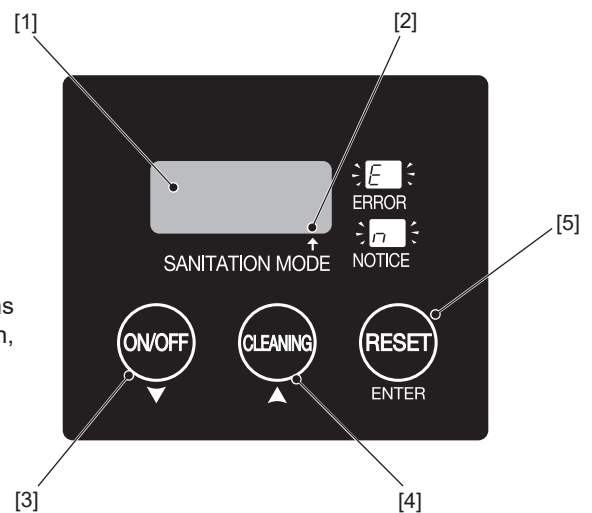
Off: Normal mode
On: Sanitation mode (*)

* After 4 continued hours of inactivity, the icemaker automatically cleans and refreshes the water circuit to prevent bacterial proliferation, keeping it clean and sanitary for longer periods of time.

[3] ON/OFF Button / Down Button

[4] Cleaning Button / Up Button

[5] Reset Button / Enter Button



1. START UP

The installer will normally commission the icemaker to start the automatic icemaking process. To ensure continuous operation, make sure that:

- * The water supply tap is on,
- * The icemaker is connected to the power supply, and
- * The display shows "run".

2. USER SETTINGS

The settings listed below are adjustable by the user.

- 1) Press and hold the reset button for 3 seconds to enter the user setting mode. The display shows one of the setting codes.
- 2) Use the up or down button until the display shows the desired setting code. Then, press the enter button.
- 3) Use the up or down button to adjust the setting. Then, press the enter button.
- 4) After finishing the settings, use the up or down button until the display shows "END". Then, press the enter button to exit the user setting mode.

Code	Item	Description	Default
U.04	Drain frequency	0: No drain 1: Every 1 cycle 2: Every 2 cycles 5: Every 5 cycles 10: Every 10 cycles 20: Every 20 cycles	10: Every 10 cycles

ENGLISH

Code	Item	Description	Default
U.44	Automatic water cleaning frequency	0: No automatic water cleaning 5: Every 5 cycles 10: Every 10 cycles 15: Every 15 cycles 20: Every 20 cycles 40: Every 40 cycles 60: Every 60 cycles	20: Every 20 cycles
U.49	Number of chemical doses (*)	When chemical doses reach set number of times, notice code "n93" appears to show no chemical is left.	KM-40: 15 times KM-60: 13 times KM-80: 12 times KM-140: 16 times
U.50	Fully automated chemical cleaning frequency (*)	Start fully automated chemical cleaning at set frequency. Adjustable from every 400 to 1000 cycles (in 100-cycle steps) e.g. 40 = 400 cycles	–
U.51	UV-LED irradiation time (**)	Irradiate UV-LED for set period of time. None or adjustable from 10 to 30 minutes (in 1-minute steps)	–
U.52	UV-LED irradiation frequency (**)	Irradiate UV-LED in freeze cycle after set period of time. Adjustable from 30 to 300 minutes (in 10-minute steps)	120 minutes
U.53	Operation mode	nor: Normal mode cln: Sanitation mode (After 4 continued hours of inactivity, water circuit is automatically cleaned and refreshed to prevent bacterial proliferation.)	nor: Normal mode
U.54	Fully automated chemical cleaning mode (*)	When "cln" (sanitation mode) is selected, unit runs one cycle of fully automated chemical cleaning by using fully automated cleaning kit (option) regardless of frequency set by U.50.	–
U.55	Reset number of chemical doses (*)	Reset notice code "n93" (no chemical is left) and number of chemical doses.	–
U.56	Reset settings	Reset all user settings to default.	–
U.58	Forced shut down	Shut down unit under any conditions.	–
U.59	Forced drain	Shut down and drain unit under any conditions.	–
U.60	Notice (e.g. maintenance)	Notice code "n99" appears after set period of time. Adjustable from 0 (none) to 6000 hours (in 100-hour steps)	0: None
U.68	Reset notice	Reset counting for notice U.60.	–

* Applicable only to the fully automated cleaning model (-W) or when the fully automated cleaning kit (option) is used.

** Applicable only when the UV-LED (option) is used.

3. PREPARING THE ICEMAKER FOR LONG STORAGE

NOTICE

This icemaker will not work at subfreezing temperatures. To prevent damage to the water supply line, drain the icemaker when air temperature is below zero.

▲HYGIENE

When shutting down the icemaker for two or more days, drain the icemaker to prevent contamination in the water circuit.

- 1) Press the ON/OFF button. The display shows "oFF".
- 2) Press and hold the reset button for 3 seconds to enter the user setting mode.
- 3) Set the user setting "U.59" to "1" to drain the icemaker.
- 4) Unplug the icemaker or disconnect the power supply.
- 5) Close the water supply tap, and remove the inlet hose.
- 6) Remove all ice from the storage bin, and clean the bin.

- 7) Chemically clean the water circuit according to "III. 1. [e] Icemaking Water System".
- 8) Before resuming the use of the icemaker, clean the water circuit again with fresh water or a chemical solution according to "III. 1. [e] Icemaking Water System".

III. MAINTENANCE

1. CLEANING

⚠ WARNING
Before carrying out any cleaning or maintenance operations, unplug the icemaker from the electrical supply network.
This appliance must not be cleaned by use of a water jet.
⚠ CAUTION
When using a neutral cleaner or sodium hypochlorite, thoroughly read and understand the instructions provided to prevent potential health problems.
NOTICE
Ask a trained service person to clean and sanitise the icemaker water system at least twice a year and to check and clean the condenser at least once a year.
To prevent possible damage, do not clean the plastic parts with water above 40°C or in a dishwasher.
Do not use any alcohol for cleaning/sanitisation of the icemaker. It may cause cracks on the plastic parts.
⚠ HYGIENE
To ensure their effects and hygienic quality, prepare the cleaning and sanitising solutions just before their use.

[a] Machine and Bin Exterior

Wipe the exterior at least once per week with a clean, soft cloth. Use a damp cloth containing a neutral cleaner to wipe off grease or dirt.

[b] Scoop and Storage Bin Handle Cleaning/Sanitisation (Daily)

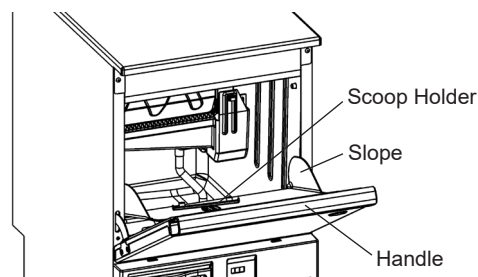
- 1) Either mix 3 litres of water with 11 ml of 5.25% sodium hypochlorite solution in a suitable container, or the recommended Hoshizaki sanitiser as directed.
- 2) Soak the scoop in the solution for more than 3 minutes. Rinse thoroughly, and shake to remove surplus liquid.

Note: Using a cloth to dry may re-contaminate.

- 3) Use a neutral cleaner to wash the storage bin handle. Rinse thoroughly.
- 4) Soak a clean cloth with the sanitising solution, and wipe the handle. Use fresh water and a clean cloth to rinse/dry.

[c] Storage Bin Interior Cleaning/Sanitisation (Weekly)

- 1) Open the storage bin door, and remove all ice.
- 2) Remove the scoop holder from the slope.
- 3) Wash the bin liner and scoop holder with a neutral non-abrasive cleaner. Rinse thoroughly.
- 4) Soak a clean cloth with the neutral cleaner, and wipe both sides of the slope and the door inner surface. Wipe off the cleaner with a clean damp cloth.
- 5) Either mix 3 litres of water with 11 ml of 5.25% sodium hypochlorite solution in a suitable container, or the recommended Hoshizaki sanitiser as directed.



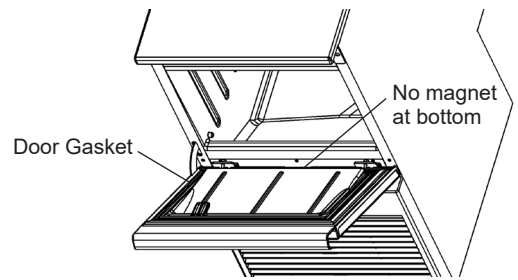
ENGLISH

6) Soak a clean sponge or cloth with the solution, and wipe the bin liner, bin door, slope and scoop holder.

Note: Clean every surface of the door gasket which gets soiled easily. It is readily removable for cleaning.

IMPORTANT

The door gasket is provided with a magnet at the top and both sides. To ensure air tightness of the door, refit the gasket properly in its correct position.



7) The remaining solution can be used to sanitise utensils.

Note: Do not wipe dry or rinse after sanitising, but allow to air dry.

[d] Air Filter

Plastic mesh air filters remove dirt or dust from the air, and keep the condenser from getting clogged. If the filters get clogged, the icemaker's performance will be reduced. Remove and clean the air filter(s) at least twice per month:

1) Remove the air filter.

Note: Do not put your hand inside the machine compartment.

2) Clean the air filter by using a vacuum cleaner. When severely clogged, use warm water and a neutral cleaner to wash the air filter.

3) Rinse and dry the air filter thoroughly.

NOTICE

After cleaning, be sure to place the air filter back in position.

[e] Icemaking Water System

Water Cleaning

Clean the water circuit with fresh water either automatically or manually.

Automatic water cleaning: Set the user setting "U.44" to a desired frequency (see "II. 2. USER SETTINGS").

Manual water cleaning: Press the cleaning button while the display does not show "oFF".

The icemaker automatically resumes icemaking operation after cleaning the water circuit.

Automated Chemical Cleaning

Effectively clean the water circuit by manually feeding a chemical.

⚠ CAUTION

Wear protective equipment (e.g. protective glasses) when using the citric acid or sodium hypochlorite solution. The solution may spout out and splash into your eyes. In that case, wash your eyes with clean water.

NOTICE

If the citric acid solution is found dripping on the sheet metal parts, wipe it off thoroughly to prevent rust.

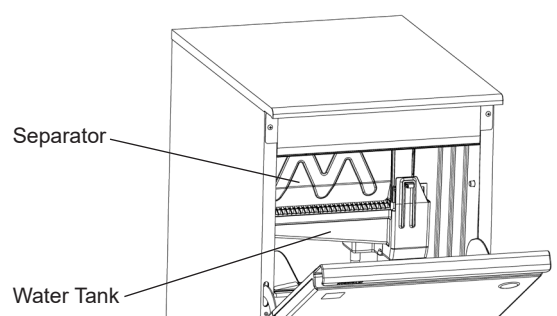
1) Make either of the following solutions to fit the intended purpose.

Cleaning (descaling): 3.5 litres of 2% citric acid solution

Sanitising: 3.5 litres of water mixed with 13 ml of 5.25% sodium hypochlorite solution

2) Open the door, and remove all ice from the storage bin. Check that the separator is attached in its correct position as shown. Otherwise, the solution may splash onto the ice in the storage bin.

3) Press and hold the cleaning button for 3 seconds. The display flashes the current mode. For example, the display showing "run" during the icemaking operation starts to flash "run".



- 4) When the display changes to “cln”, pour the following amount of solution into the water tank carefully not to overflow it.
- KM-40C-HC: 2.0 litres
 - KM-60C-HC: 2.5 litres
 - KM-80C-HC: 3.0 litres
 - KM-140C-HC: 3.5 litres
- 5) Rinse the bin liner with clean water to remove any solution spilled in the storage bin. Then, close the door.
- 6) Press the cleaning button (or wait for 15 minutes) to start the automated chemical cleaning.
- 7) The unit resumes the original state when the cleaning is over.

⚠ WARNING

If the ice made after the automated chemical cleaning tastes wrong, immediately stop using the icemaker and call for service.

Fully Automated Chemical Cleaning (*)

* Available only for the fully automated cleaning model (-W) or when the fully automated cleaning kit (option) is used. The fully automated cleaning kit automatically feeds a chemical (1250 ml of 40% citric acid solution) and descales the water circuit at a desired frequency. Make necessary settings according to “II. 2. USER SETTINGS”. For further details, see the instruction manual of the fully automated cleaning kit ACK.

2. BEFORE CALLING FOR SERVICE

⚠ WARNING

Do not damage the refrigerant circuit.

If the icemaker does not work properly or does not work at all, before calling for service, check that:

- * The power is supplied to the unit.
- * The water is turned on.
- * The air filter is clean.

If the problem still exists, turn off the power supply, turn it back on, and press the reset button. If the problem persists, check whether the error code “E” is indicated on the display or the dot at the center is on, and contact your local Hoshizaki service agent.

If one of the following notice codes appears, follow the instructions below.

Code	Description
n92	Abnormal high temperature. Clean air filter. Check for proper installation according to “I. 4. LOCATION”.
n93	No chemical is left (when fully automated cleaning kit (option) is used). Replace or refill chemical container, and reset by user setting “U.55” (see “II. 2. USER SETTINGS”). To change frequency of notice, use user setting “U.49”.
n99	Period of time set by user setting “U.60” (see “II. 2. USER SETTINGS”) has passed and maintenance is required. When maintenance is done, press reset button.

For further assistance or advice, contact your local Hoshizaki service agent.

3. DISPOSAL

Comply with local regulations regarding disposal of this appliance and its refrigerant gas. Before you scrap the appliance, take off the door to prevent children trapped.

Correct disposal of this product:

This marking indicates that this product should not be disposed with other household wastes throughout the EU. To prevent possible harm to the environment or human health from uncontrolled waste disposal, recycle it responsibly to promote the sustainable reuse of material resources. To return your used device, use the return and collection systems or contact the retailer where the product was purchased. They can take this product for environmental safe recycling.



⚠ WARNING



Risk of fire

The insulation foaming agent used for the unit body contains flammable gas cyclopentane. With this in mind, dispose of the product properly.

4. WARRANTY

Hoshizaki warrants to the original owner/user that all Hoshizaki branded products shall be free of defects in material and/or workmanship for the duration of the “warranty period”. The warranty shall be effective for two years from the date of installation. Hoshizaki’s liability under the terms of the warranty are limited and shall exclude routine servicing, cleaning, essential maintenance and/or repairs occasioned by misuse and installations not in accordance with Hoshizaki guidelines.

Warranty repairs should be completed by an approved Hoshizaki dealer or service agency using genuine Hoshizaki components.

To obtain full details of your warranty and approved service agency, please contact your dealer/supplier, or the nearest Hoshizaki Service office:

Europe, Middle East, Africa

Hoshizaki UK - UK, Ireland
TEL: +44 845 456 0585
FAX: +44 132 283 8331
uksales@hoshizaki.uk

Hoshizaki Middle East - Middle East
TEL: +971 48 876 612
FAX: +971 48 876 613
sales@hoshizaki.ae

Hoshizaki Deutschland - Germany, Switzerland, Austria, Poland,
Czech Republic, Slovakia
TEL: +49 5121 697370
FAX: +49 5121 6973719
vertrieb@hoshizaki.de

Hoshizaki Benelux - Netherlands, Belgium, Luxembourg
TEL: +31 85 018 83 70
info@hoshizaki.nl

Hoshizaki France - France
TEL: +33 1 48 63 93 80
FAX: +33 1 48 63 93 88
info@hoshizaki.fr

Hoshizaki Italia - Italy
TEL: +39 344 0616467
TEL: +39 348 3022156
info@hoshizaki.it

Hoshizaki Iberia - Spain, Portugal
TEL: +34 93 478 09 52
FAX: +34 93 478 08 00
info@hoshizaki.es

Hoshizaki Europe B.V. - all other countries within Europe
and Africa
TEL: +31 20 6918499
FAX: +31 20 6918768
sales@hoshizaki.nl

SPECIFICATIONS

Model	KM-40C-HC	KM-60C-HC	KM-80C-HC	KM-140C-HC
Type	Air-cooled, crescent ice	Air-cooled, crescent ice	Air-cooled, crescent ice	Air-cooled, crescent ice
Power Supply	1 phase 220 - 240V 50Hz	1 phase 220 - 240V 50Hz	1 phase 220 - 240V 50Hz	1 phase 220 - 240V 50Hz
Electric Consumption	209W	242W	299W	564W
Ice Production per 24h	43kg (ambient 10°C, water 10°C)	60kg (ambient 10°C, water 10°C)	75kg (ambient 10°C, water 10°C)	135kg (ambient 10°C, water 10°C)
Dimensions	452mm(W) x 610mm(D) x 988mm(H)	605mm(W) x 610mm(D) x 988mm(H)	605mm(W) x 712mm(D) x 988mm(H)	630mm(W) x 719mm(D) x 1333mm(H)
Refrigerant	R290, 68g	R290, 90g	R290, 147g	R290, 110g
Insulation Foam Blowing Agent	HFC-free	HFC-free	HFC-free	HFC-free
Weight	Net: 39kg (Gross: 49kg)	Net: 45kg (Gross: 57kg)	Net: 50kg (Gross: 63kg)	Net: 69kg (Gross: 81kg)
Ambient Temp	7 - 38°C	7 - 38°C	7 - 38°C	7 - 38°C
Water Supply Temp	7 - 32°C	7 - 32°C	7 - 32°C	7 - 32°C
Water Supply Pressure	0.07 - 0.8 MPa (0.7 - 8 bar)	0.07 - 0.8 MPa (0.7 - 8 bar)	0.07 - 0.8 MPa (0.7 - 8 bar)	0.07 - 0.8 MPa (0.7 - 8 bar)
Voltage Range	Rated voltage ± 6%	Rated voltage ± 6%	Rated voltage ± 6%	Rated voltage ± 6%

Model	KM-40C-HC-W	KM-60C-HC-W	KM-80C-HC-W	KM-140C-HC-W
Type	Air-cooled, crescent ice, fully automated cleaning	Air-cooled, crescent ice, fully automated cleaning	Air-cooled, crescent ice, fully automated cleaning	Air-cooled, crescent ice, fully automated cleaning
Power Supply	1 phase 220 - 240V 50Hz	1 phase 220 - 240V 50Hz	1 phase 220 - 240V 50Hz	1 phase 220 - 240V 50Hz
Electric Consumption	209W	242W	299W	564W
Ice Production per 24h	43kg (ambient 10°C, water 10°C)	60kg (ambient 10°C, water 10°C)	75kg (ambient 10°C, water 10°C)	135kg (ambient 10°C, water 10°C)
Dimensions	452mm(W) x 610mm(D) x 988mm(H)	605mm(W) x 610mm(D) x 988mm(H)	605mm(W) x 712mm(D) x 988mm(H)	630mm(W) x 719mm(D) x 1333mm(H)
Refrigerant	R290, 68g	R290, 90g	R290, 147g	R290, 110g
Insulation Foam Blowing Agent	HFC-free	HFC-free	HFC-free	HFC-free
Weight	Net: 41kg (Gross: 51kg)	Net: 47kg (Gross: 59kg)	Net: 52kg (Gross: 65kg)	Net: 71kg (Gross: 83kg)
Ambient Temp	7 - 38°C	7 - 38°C	7 - 38°C	7 - 38°C
Water Supply Temp	7 - 32°C	7 - 32°C	7 - 32°C	7 - 32°C
Water Supply Pressure	0.07 - 0.8 MPa (0.7 - 8 bar)	0.07 - 0.8 MPa (0.7 - 8 bar)	0.07 - 0.8 MPa (0.7 - 8 bar)	0.07 - 0.8 MPa (0.7 - 8 bar)
Voltage Range	Rated voltage ± 6%	Rated voltage ± 6%	Rated voltage ± 6%	Rated voltage ± 6%

INFORMATIONS DE SECURITE IMPORTANTES

Tout au long de ce manuel, des avis attirent l'attention sur des situations qui pourraient entraîner la mort, des blessures graves ou des dégâts à l'appareil.

▲AVERTISSEMENT	Signale une situation dangereuse qui, si elle n'est pas évitée, peut entraîner des blessures graves voire mortelles.
▲ATTENTION	Signale une situation dangereuse qui, si elle n'est pas évitée, peut entraîner des blessures mineures ou modérées.
AVIS	Signale une situation dangereuse qui, si elle n'est pas évitée, peut entraîner des dégâts à l'appareil.
▲HYGIENE	Signale des précautions importantes à prendre en matière d'hygiène et de sécurité alimentaire.
IMPORTANT	Signale des informations importantes sur l'utilisation de l'appareil et son entretien.

La machine à glace emploie du fluide frigorigène exempt de HFC (propane), une substance non nocive pour la couche d'ozone et durable qui a très peu d'impact sur le réchauffement mondial.

▲AVERTISSEMENT
L'unité de refroidissement de cette machine à glace contenant des fluides frigorigènes inflammables, son installation, sa manipulation, son entretien et sa mise au rebut ne doivent être réalisés que par des techniciens agréés.
Le fluide frigorigène de cette machine à glace est inflammable et est enfermé dans le système de réfrigération. Bien que le fluide frigorigène ne présente aucun risque de fuite dans des conditions d'utilisation normales, manipuler la machine à glace avec la plus grande précaution afin d'éviter d'endommager le système.
En cas de fuite de fluide frigorigène résultant d'un dommage accidentel au système de réfrigération : * Interdire toute étincelle ou corps incandescent dans le voisinage. * N'utiliser aucun interrupteur ni prise électrique dans le voisinage. * Ne pas utiliser de flamme nue. * Ventiler immédiatement la pièce en ouvrant les portes et/ou fenêtres. * Appeler un technicien de réparation.

IMPORTANT
Ce livret est un élément essentiel qui fait partie intégrante du produit et il doit être conservé soigneusement par l'utilisateur.
Lire attentivement les conseils et les avertissements qui s'y trouvent, car ils ont pour but de fournir à l'installateur et à l'utilisateur des informations essentielles pour une installation correcte, une utilisation en toute sécurité et un entretien adéquat du produit.
Conserver précieusement ce livret pour toute référence ultérieure.

▲AVERTISSEMENT

Cette machine à glace a été conçue pour des applications commerciales ; elle ne peut être utilisée qu'aux fins auxquelles elle est expressément destinée.

Toute autre utilisation doit être considérée comme inappropriée et donc dangereuse. Le fabricant décline toute responsabilité pour les dégâts provoqués par une utilisation inappropriée, incorrecte et abusive.

L'installation, et le transfert le cas échéant, doivent être effectués par un personnel qualifié, conformément aux réglementations en vigueur et aux consignes du fabricant.

Veiller à ce que les ouvertures de ventilation de l'enceinte de l'appareil et de la structure intégrée ne soient pas obstruées.

Pour accélérer le processus de décongélation, ne pas utiliser d'équipements mécaniques ni des méthodes autres que celles recommandées par le fabricant.

L'utilisation de tout appareil électrique implique le respect de certaines règles fondamentales. En particulier :

- * La présence d'une humidité élevée augmente le risque de courts-circuits électriques et de décharges électriques. En cas de doute, débrancher la machine à glace.
- * Ne pas endommager le cordon d'alimentation et ne pas tirer dessus pour débrancher la machine à glace.
- * Si le cordon d'alimentation est endommagé, il doit être remplacé par un cordon de rechange disponible auprès des centres de pièces détachées et d'entretien Hoshizaki.
- * Ne pas toucher les pièces électriques ni les commutateurs avec les mains humides.
- * Cette machine n'est pas prévue pour une utilisation par des personnes (y compris des enfants) aux capacités physiques, sensorielles ou mentales réduites, ou manquant d'expérience ou de connaissances. Elle peut cependant être utilisée par des enfants d'au moins 8 ans et des personnes aux capacités physiques, sensorielles ou mentales réduites, ou manquant d'expérience ou de connaissances, si une personne responsable de leur sécurité les surveille ou leur a indiqué les consignes d'utilisation de la machine.
- * Les enfants ne doivent pas jouer avec la machine.
- * Le nettoyage et l'entretien régulier ne doivent pas être effectués par des enfants sans surveillance.
- * Ne pas tenter de modifier la machine à glace. Cet appareil ne peut être démonté ou réparé que par du personnel qualifié.

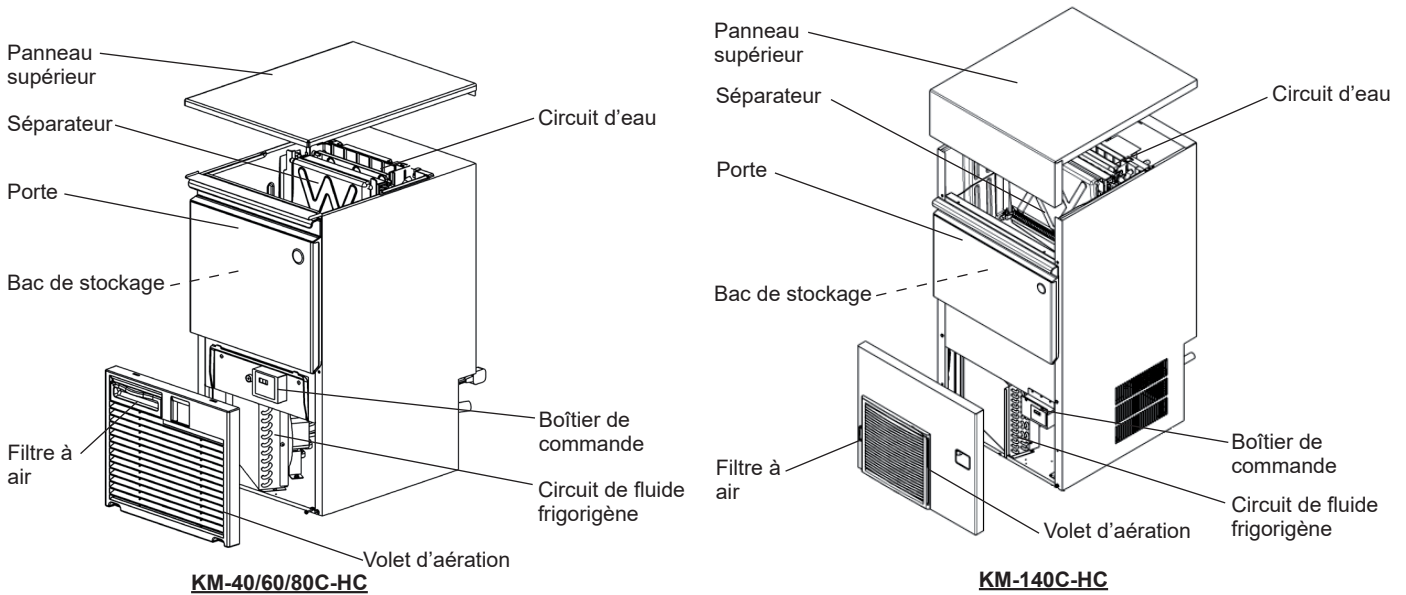
Lors de la mise en place de l'appareil, veiller à ne pas coincer ni endommager le cordon d'alimentation.

Ne pas placer de prise multiple portable ni d'alimentation électrique portable à l'arrière de l'appareil.

FRANÇAIS

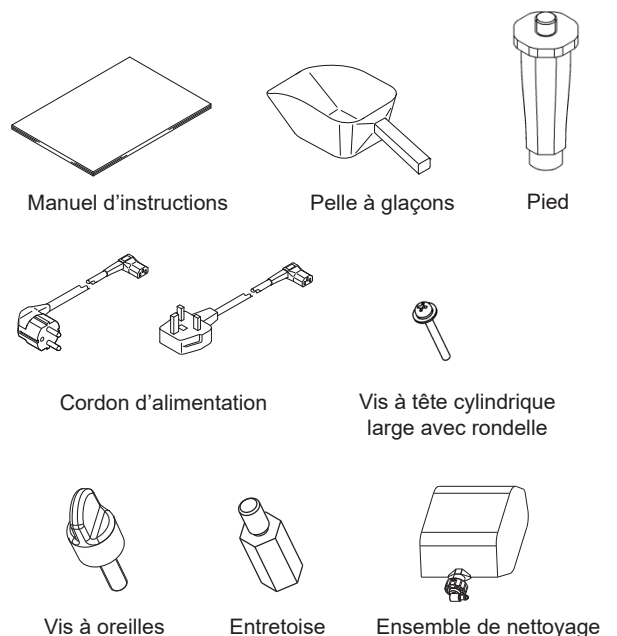
I. CONSIGNES D'INSTALLATION

1. CONSTRUCTION



2. ACCESSOIRES

	KM-40C-HC KM-60C-HC KM-80C-HC	KM-140C-HC	KM-40C-HC-W KM-60C-HC-W KM-80C-HC-W	KM-140C-HC-W
Manuel d'instructions	1	1	1	1
Pelle à glaçons	1	1	1	1
Pied	4	4	4	4
Cordon d'alimentation (continental)	1	1	1	1
Cordon d'alimentation (Royaume-Uni)	1	1	1	1
Vis à tête cylindrique large avec rondelle (M4 x 30) (fixation du volet d'aération)	2	-	-	-
Vis à oreilles (fixation du volet d'aération)	-	-	2	1
Entretoise (M4) (fixation du volet d'aération)	-	-	2	-
Ensemble de nettoyage	-	-	1	1



3. DEBALLAGE

⚠️ AVERTISSEMENT

Les enfants doivent être tenus à l'écart des éléments d'emballage (sacs en plastique et polystyrène expansé) car ils constituent des sources de danger potentielles.

⚠️ ATTENTION

Ne pas soulever ou déplacer le carton en utilisant les sangles d'emballage.

En cas de déplacement de l'appareil à la main, retirer le volet d'aération et tenir le bas de l'appareil. Ne pas tenir le panneau supérieur ou la porte. Ces éléments pourraient tomber et blesser quelqu'un.

Toujours porter des gants de protection lors du transport de l'appareil.

Lors de la manipulation du carton ou de l'appareil déballé, travailler à deux pour éviter les blessures.

AVIS

Enlever le carton de transport, le ruban adhésif et le matériel d'emballage. S'il reste des matériaux d'emballage dans la machine à glace, elle ne fonctionnera pas correctement.

- 1) Après avoir enlevé le matériel d'emballage, vérifier que la machine à glace est en bon état. En cas de doute, ne pas utiliser la machine à glace et faire appel à un technicien qualifié.
- 2) Retirer le ruban d'expédition maintenant la porte et le séparateur.
- 3) Retirer le film protecteur en plastique recouvrant l'extérieur de la machine. Si la machine à glace a été exposée au soleil ou à la chaleur, la laisser refroidir avant d'enlever le film.
- 4) Retirer le paquet d'accessoires. Vérifier le contenu conformément à la section « 2. ACCESSOIRES ».

4. EMBLACEMENT

▲AVERTISSEMENT

Cette machine à glace n'est pas conçue pour être utilisée à l'extérieur.

La machine à glace ne doit pas être placée à proximité de fours, de grills ou de toute autre source de chaleur importante.

Cet appareil n'est pas conçu pour être installé dans une zone où un jet d'eau peut être utilisé.

▲ATTENTION

La machine à glace doit avoir une assise solide et horizontale.

AVIS

Ne rien poser sur le dessus de la machine ni devant le volet d'aération.

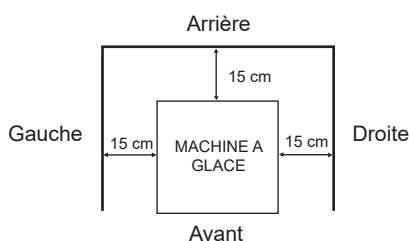
IMPORTANT

La température ambiante normale de service doit être comprise entre 7 °C et 38 °C. La température normale de service de l'eau doit être comprise entre 7 °C et 32 °C. Un fonctionnement prolongé de la machine en dehors de ces plages de températures risque d'affecter la capacité de production de glace.

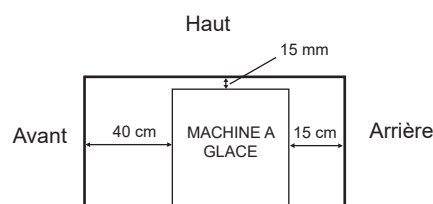
Pour assurer une bonne circulation d'air et faciliter les opérations de maintenance ou d'entretien, prévoir le dégagement indiqué ci-dessous.

[KM-40/60/80C-HC(-W)]

Vue de dessus

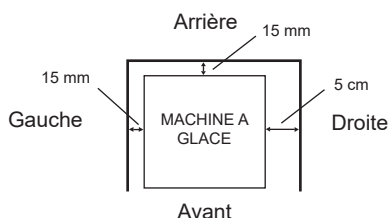


Vue latérale

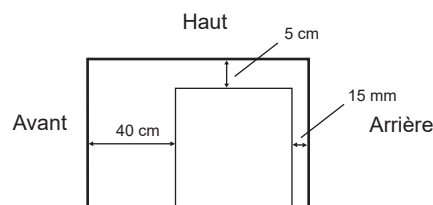


[KM-140C-HC(-W)]

Vue de dessus



Vue latérale



Dans certains environnements très humides, de la condensation peut se former à l'intérieur de la machine et couler sur le sol. Ne pas installer l'appareil sur un sol que l'eau pourrait endommager.

Éviter toute exposition prolongée de l'appareil à la lumière directe du soleil.

5. INSTALLATION

⚠ ATTENTION

Une installation incorrecte de la machine peut avoir des conséquences néfastes sur les personnes, les animaux ou d'autres choses, pour lesquelles le fabricant ne peut être tenu responsable.

- * Placer la machine à glace à l'endroit choisi pour son installation.
- * L'appareil doit être placé de telle sorte que la fiche soit accessible.
- * A l'aide des pieds, régler l'horizontalité avant/arrière et gauche/droite de la machine à glace.

6. BRANCHEMENTS ELECTRIQUES

⚠ AVERTISSEMENT

CET APPAREIL DOIT ETRE MIS A LA TERRE

Cette machine à glace doit avoir une mise à la terre qui respecte les réglementations électriques nationales et locales.

Pour éviter tout risque de décharges électriques graves ou de dégâts importants à l'appareil, installer un câble de mise à la terre approprié sur la machine.

Avant toute opération de maintenance, réparation ou nettoyage, débrancher l'alimentation électrique.

- * Cet appareil nécessite une alimentation 220 - 240 V CA 10A séparée. L'alimentation électrique doit être protégée par un disjoncteur approprié.
- * Le fusible du boîtier de commande principal est étalonné à 5 A et ne doit être remplacé que par un technicien d'entretien qualifié.
- * Il faut généralement obtenir une autorisation pour effectuer l'installation électrique et recourir aux services d'un électricien qualifié.

Pour le Royaume-Uni et la République d'Irlande uniquement

- * Les fils du cordon d'alimentation électrique présentent le codage couleur suivant :
 - Vert et jaune = Terre
 - Bleu = Neutre
 - Marron = Sous tension

La couleur des conducteurs du cordon d'alimentation de cet appareil peut ne pas correspondre au marquage couleur des bornes de votre fiche ; dans ce cas, procéder comme suit :

Le fil vert et jaune doit être relié à la borne de la fiche repérée par la lettre E ou par le symbole \perp ou la couleur verte ou verte et jaune. Le conducteur bleu doit être raccordé à la borne portant la lettre N ou de couleur noire. Le conducteur marron doit être raccordé à la borne portant la lettre L ou de couleur rouge.

- * Si la fiche livrée avec la machine ne convient pas aux prises du local d'installation, l'enlever (la couper s'il s'agit d'une fiche moulée) et en monter une autre.

Une fiche non recâblable enlevée doit être jetée. Elle ne peut en aucun cas être réutilisée. L'insertion de ce type de fiche dans une autre prise présente des risques graves de décharges électriques.

- * La fiche non recâblable ne doit jamais être utilisée sans un protège-fusible.

Le numéro de référence du protège-fusible amovible est imprimé sur la fiche. Utiliser cette référence pour toute commande de pièce.

Il est possible de se procurer des protège-fusibles de remplacement auprès des centres de pièces détachées et d'entretien Hoshizaki.

La capacité nominale des fusibles doit être de 10 A ; ils doivent être agréés selon la norme BS 1362.

7. BRANCHEMENTS D'ARRIVÉE ET DE VIDANGE D'EAU

⚠ AVERTISSEMENT

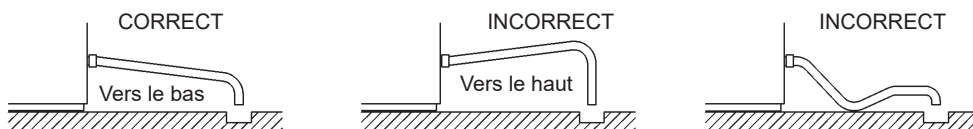
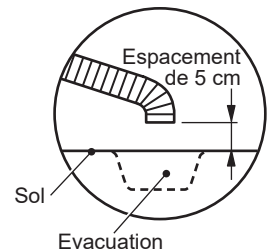
Raccorder à l'arrivée d'eau potable froide uniquement.



- * Les raccordements à l'arrivée d'eau du réseau doivent être réalisés conformément aux exigences nationales en vigueur des réglementations sur l'arrivée d'eau ou les raccords.
- * L'eau utilisée pour la fabrication de la glace doit être potable. Si la qualité de l'eau entraîne la formation de tartre, le montage d'un filtre externe ou d'un adoucisseur est recommandé. Contacter le professionnel du traitement de l'eau ou l'agent de service Hoshizaki local.
- * La pression de l'eau d'alimentation doit être de 0,07 MPa (0,7 bar) au minimum et de 0,8 MPa (8 bar) au maximum. Si la pression dépasse 0,8 MPa (8 bar), utiliser un réducteur de pression approprié. Ne PAS réduire le débit du robinet d'alimentation.
- * Dans certaines régions, il est possible qu'il faille obtenir une autorisation pour effectuer les travaux de plomberie et avoir recours aux services d'un plombier autorisé.
- * La vidange d'eau de la machine à glace s'effectue par gravité : le tuyau de vidange doit donc avoir une inclinaison ou une hauteur de chute suffisante.

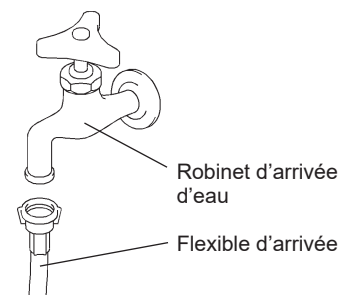
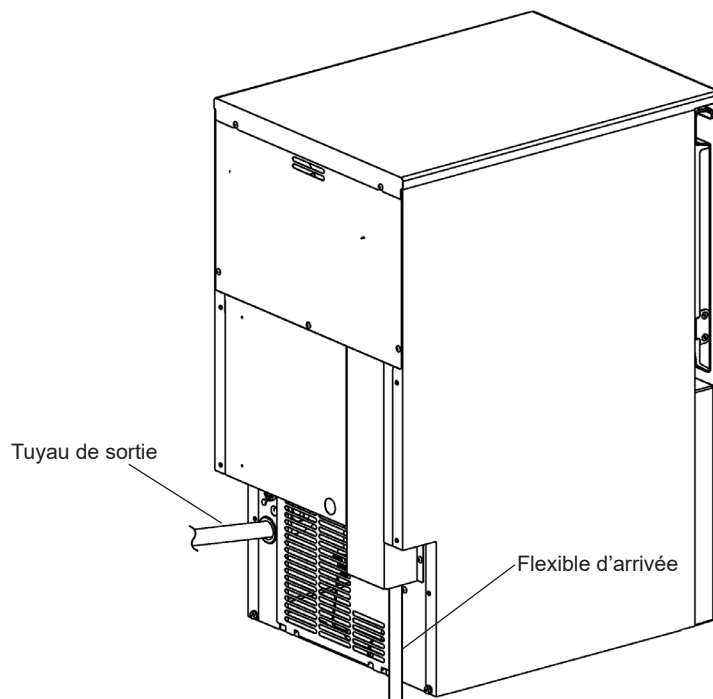
- * Les tuyaux de vidange ne doivent pas être reliés directement à l'égout. L'extrémité des tuyaux de vidange de la machine à glace doit être espacée d'au moins 5 cm à la verticale par rapport à l'évacuation de sol.

- * Pour éviter un refoulement à l'intérieur du bac de stockage, poser le tuyau de sortie comme illustré.



- 1) Raccorder l'extrémité libre du tuyau d'arrivée d'eau au robinet d'eau, en veillant à placer correctement la rondelle d'étanchéité. Serrer manuellement de manière à obtenir un raccordement étanche. Il est prudent d'avoir un robinet d'arrêt à proximité.

- 2) Le tuyau de sortie peut être coupé à la longueur voulue en fonction de la position de vidange principale.



II. CONSIGNES D'UTILISATION

AVIS

Toutes les pièces sont réglées en usine. Tout mauvais réglage risque de provoquer une panne.

Après avoir arrêté l'appareil, attendre au moins 3 minutes avant de le remettre sous tension pour éviter d'endommager le compresseur.

▲HYGIENE

Cette machine à glace est conçue pour produire de la glace alimentaire. Pour la maintenir dans un parfait état d'hygiène :

- * Se laver les mains avant de retirer la glace. Utiliser la pelle en plastique (accessoire) prévue à cet effet.
- * Le bac de stockage est destiné uniquement à la glace. Ne conserver rien d'autre dans ce bac, et ne pas y utiliser d'autres équipements électriques.
- * Avant d'utiliser la machine, nettoyer le bac de stockage (voir « III. 1. NETTOYAGE »).
- * Veiller à la propreté de la pelle. La nettoyer en utilisant un produit nettoyant neutre et la rincer soigneusement.
- * Une fois la glace retirée, fermer la porte pour éviter que des saletés, de la poussière ou des insectes ne s'introduisent dans le bac de stockage.

Panneau de commande

[1] Afficheur

run : production de glace
oFF : à l'arrêt
FUL : bac plein
cln : nettoyage

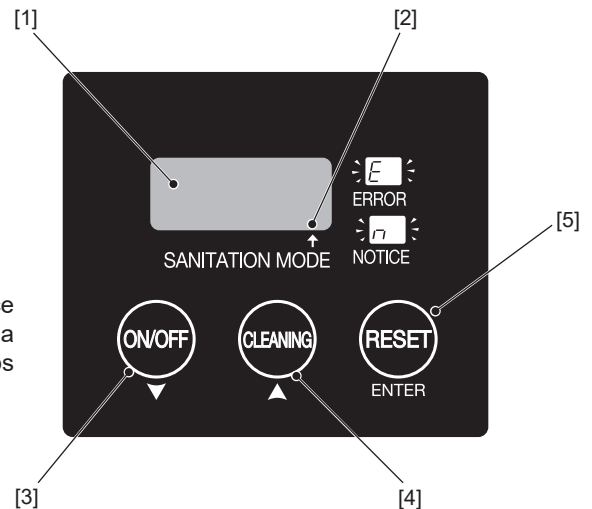
[2] Point

Eteint : mode normal
Allumé : mode de désinfection (*)
* Après quatre heures d'inactivité sans interruption, la machine à glace nettoie et rafraîchit automatiquement le circuit d'eau afin d'éviter la prolifération des bactéries, ce qui permet de préserver plus longtemps la propreté et l'hygiène du circuit.

[3] Touche ON/OFF/touche Bas

[4] Touche CLEANING/touche Haut

[5] Touche RESET/touche ENTER



1. MISE EN MARCHÉ

L'installateur met généralement la machine à glace en service pour mettre en route la production automatique de glace. Afin de garantir un fonctionnement en continu, s'assurer que :

- * Le robinet d'arrivée d'eau est ouvert,
- * La machine à glace est branchée sur l'alimentation électrique et
- * L'afficheur indique « run ».

2. REGLAGES DE L'UTILISATEUR

Les réglages répertoriés ci-dessous peuvent être définis par l'utilisateur.

- 1) Appuyer sur la touche de réinitialisation et la maintenir enfoncée pendant 3 secondes pour passer en mode de réglages de l'utilisateur. L'afficheur affiche l'un des codes de réglage.
- 2) Utiliser la touche Haut ou Bas jusqu'à ce que l'afficheur affiche le code de réglage souhaité. Appuyer ensuite sur la touche ENTER.
- 3) Utiliser la touche Haut ou Bas pour ajuster le réglage. Appuyer ensuite sur la touche ENTER.
- 4) Une fois les réglages définis, utiliser la touche Haut ou Bas jusqu'à ce que l'afficheur indique « END ». Appuyer ensuite sur la touche ENTER pour quitter le mode de réglages de l'utilisateur.

Code	Fonction	Description	Valeur par défaut
U.04	Fréquence de vidange	0 : aucune vidange 1 : tous les cycles 2 : tous les 2 cycles 5 : tous les 5 cycles 10 : tous les 10 cycles 20 : tous les 20 cycles	10 : tous les 10 cycles
U.44	Fréquence de nettoyage automatique de l'eau	0 : aucun nettoyage automatique de l'eau 5 : tous les 5 cycles 10 : tous les 10 cycles 15 : tous les 15 cycles 20 : tous les 20 cycles 40 : tous les 40 cycles 60 : tous les 60 cycles	20 : tous les 20 cycles
U.49	Nombre de doses chimiques (*)	Lorsque le nombre de doses chimiques atteint le nombre défini, le code de notification « n93 » s'affiche pour indiquer qu'il n'y a plus de produit chimique.	KM-40 : 15 fois KM-60 : 13 fois KM-80 : 12 fois KM-140 : 16 fois
U.50	Fréquence de nettoyage chimique entièrement automatisé (*)	Le nettoyage chimique entièrement automatisé est effectué conformément à la fréquence définie. La fréquence peut être de 400 à 1 000 cycles (réglage par incrément de 100 cycles). Par exemple, 40 = 400 cycles.	–
U.51	Temps d'irradiation de la lampe UV-LED (**)	Irradiation de la lampe UV-LED pendant la période de temps définie. Aucune irradiation ou période réglable de 10 à 30 minutes (réglage par incrément d'une minute).	–
U.52	Fréquence d'irradiation de la lampe UV-LED (**)	Irradiation de la lampe UV-LED en cycle de congélation après une période de temps définie. Période réglable de 30 à 300 minutes (réglage par incrément de 10 minutes).	120 minutes
U.53	Mode de fonctionnement	nor : mode normal cln : mode de désinfection (après quatre heures d'inactivité sans interruption, le circuit d'eau est automatiquement nettoyé et rafraîchi afin d'éviter la prolifération des bactéries)	nor : mode normal
U.54	Mode de nettoyage chimique entièrement automatisé (*)	Lorsque « cln » (mode de désinfection) est sélectionné, l'appareil exécute un cycle de nettoyage chimique entièrement automatisé à l'aide du kit de nettoyage entièrement automatisé (option), indépendamment de la fréquence définie par le code U.50.	–
U.55	Réinitialisation du nombre de doses chimiques (*)	Le code de notification « n93 » (plus de produit chimique) et le nombre de doses chimiques sont réinitialisés.	–
U.56	Réinitialisation des réglages	Les valeurs par défaut de tous les réglages de l'utilisateur sont rétablies.	–
U.58	Arrêt forcé	L'appareil est arrêté, indépendamment des conditions.	–
U.59	Vidange forcée	L'appareil est arrêté et vidangé, indépendamment des conditions.	–
U.60	Notification (entretien, par exemple)	Le code de notification « n99 » s'affiche après une période de temps définie. La période peut être comprise entre 0 (aucun affichage du code) et 6 000 heures (réglage par incrément de 100 heures).	0 : aucun affichage du code
U.68	Notification de réinitialisation	Le décompte utilisé pour la notification U.60 est réinitialisé.	–

* Uniquement pour le modèle avec nettoyage entièrement automatisé (-W) ou lorsque le kit de nettoyage entièrement automatisé (option) est utilisé.

** Uniquement lorsque la lampe UV-LED (option) est utilisée.

3. PREPARATION DU DISTRIBUTEUR DE GLACE EN VUE D'UN ENTREPOSAGE DE LONGUE DUREE

AVIS

La machine à glace ne fonctionnera pas aux températures au-dessous de zéro. Pour prévenir tout dommage au niveau de la conduite d'arrivée d'eau, vidanger la machine à glace lorsque la température de l'air est inférieure à zéro.

▲HYGIENE

En cas de mise hors tension de la machine à glace pendant au moins deux jours, la vidanger pour éviter une contamination du circuit d'eau.

- 1) Appuyer sur la touche ON/OFF. L'afficheur indique « OFF ».
- 2) Appuyer sur la touche de réinitialisation et la maintenir enfoncée pendant 3 secondes pour passer en mode de réglages de l'utilisateur.
- 3) Régler le réglage de l'utilisateur « U.59 » sur « 1 » pour vidanger la machine à glace.
- 4) Débrancher la machine à glace ou couper l'alimentation.
- 5) Fermer le robinet d'arrivée d'eau et retirer le tuyau d'arrivée.
- 6) Retirer toute la glace se trouvant dans le bac de stockage et nettoyer le bac.
- 7) Procéder au nettoyage chimique du circuit d'eau comme indiqué dans la section « III. 1. [e] Système d'eau de la machine à glace ».
- 8) Avant de recommencer à utiliser la machine à glacer, nettoyer de nouveau le circuit d'eau avec de l'eau fraîche ou une solution chimique comme indiqué dans la section « III. 1. [e] Système d'eau de la machine à glace ».

III. MAINTENANCE

1. NETTOYAGE

▲AVERTISSEMENT

Avant toute opération de nettoyage ou d'entretien, débrancher l'alimentation électrique de la machine à glace.

Cet appareil ne doit pas être nettoyé à l'aide d'un jet d'eau.

▲ATTENTION

En cas d'utilisation d'un produit neutre ou d'hypochlorite de sodium, bien lire et comprendre les consignes fournies pour éviter des problèmes de santé potentiels.

AVIS

Faire nettoyer et désinfecter le système d'eau de la machine à glace par un technicien qualifié au moins deux fois par an et faire vérifier et nettoyer le condenseur au moins une fois par an.

Afin d'éviter tout dommage possible, ne pas nettoyer les pièces en plastique avec de l'eau à plus de 40 °C ou dans un lave-vaisselle.

Ne jamais nettoyer / désinfecter la machine à glace avec de l'alcool. Les pièces en plastique risqueraient de se fissurer.

▲HYGIENE

Afin de garantir leur efficacité et leurs propriétés sanitaires, préparer les solutions nettoyantes et désinfectantes juste avant leur utilisation.

[a] Extérieur de la machine et du bac

Essuyer l'extérieur au moins une fois par semaine à l'aide d'un chiffon doux et propre. Pour éliminer les traces de graisse ou les salissures, utiliser un chiffon imbibé d'un produit de nettoyage neutre.

[b] Nettoyage/désinfection de la pelle et de la poignée du bac de stockage (quotidiennement)

1) Mélanger 3 litres d'eau avec 11 ml de solution renfermant 5,25 % d'hypochlorite de sodium dans un récipient adapté ou utiliser le désinfectant recommandé par Hoshizaki.

2) Laisser tremper la pelle dans la solution pendant plus de 3 minutes. Rincer à fond et agiter pour éliminer l'excédent de liquide.

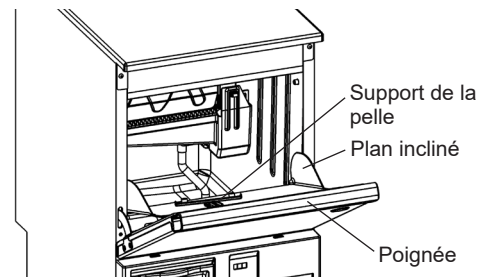
Remarque : le séchage à l'aide d'un chiffon risque de provoquer une nouvelle contamination.

3) Utiliser un produit neutre pour nettoyer la poignée du bac de stockage. Rincer soigneusement.

4) Imbiber un chiffon propre de solution désinfectante et essuyer la poignée. Rincer avec de l'eau propre et sécher à l'aide d'un chiffon propre.

[c] Nettoyage/désinfection de l'intérieur du bac de stockage (hebdomadairement)

- 1) Ouvrir la porte du bac de stockage et retirer toute la glace.
- 2) Retirer le support de la pelle du plan incliné.
- 3) Laver le revêtement du bac et le support de la pelle avec un produit nettoyant neutre non abrasif. Rincer soigneusement.
- 4) Imbiber un chiffon propre de produit nettoyant neutre et essuyer les deux côtés du plan incliné et la surface intérieure de la porte. Enlever le produit nettoyant avec un chiffon propre et humide.
- 5) Mélanger 3 litres d'eau avec 11 ml de solution renfermant 5,25 % d'hypochlorite de sodium dans un récipient adapté ou utiliser le désinfectant recommandé par Hoshizaki.

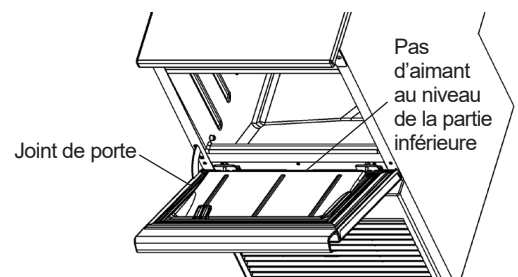


6) Imbiber de solution une éponge ou un chiffon propre et essuyer le revêtement du bac, la porte du bac, le plan incliné et le support de la pelle.

Remarque : nettoyer toutes les surfaces du joint de porte qui se salit facilement. Le joint peut facilement être retiré pour le nettoyage.

IMPORTANT

Le joint de porte dispose d'un aimant au niveau de la partie supérieure et des deux côtés. Afin d'assurer l'étanchéité à l'air de la porte, réinsérer correctement le joint.



7) Le reste de la solution peut être utilisé pour désinfecter les ustensiles.

Remarque : après désinfection, ne pas sécher ni rincer. Laisser sécher à l'air.

[d] Filtre à air

Des filtres à air en plastique permettent de filtrer les impuretés et la poussière de l'air, et empêchent l'obturation du condenseur. En cas de colmatage des filtres, les performances de la machine à glace seront affectées. Déposer et nettoyer le(s) filtre(s) à air au moins deux fois par mois :

1) Retirer le filtre à air.

Remarque : ne pas mettre les mains à l'intérieur de l'appareil.

2) Utiliser un aspirateur pour nettoyer le filtre à air. En cas de colmatage important, laver le filtre à air en utilisant une solution d'eau chaude et de produit nettoyant neutre.

3) Rincer et sécher soigneusement le filtre à air.

AVIS

Après nettoyage, veiller à remettre en place le filtre à air.

[e] Système d'eau de la machine à glace

Nettoyage de l'eau

Nettoyer automatiquement ou manuellement le circuit d'eau avec de l'eau fraîche.

Nettoyage automatique de l'eau : régler le réglage de l'utilisateur « U.44 » sur la fréquence souhaitée (voir « II. 2. REGLAGES DE L'UTILISATEUR »).

Nettoyage manuel de l'eau : appuyer sur la touche de nettoyage lorsque l'afficheur n'indique pas « OFF ».

La machine à glace reprend automatiquement la production de glace une fois le circuit d'eau nettoyé.

FRANÇAIS

Nettoyage chimique automatisé

Nettoyer efficacement le circuit d'eau en ajoutant manuellement une dose de produit chimique.

⚠ ATTENTION

Porter des équipements de protection (lunettes de protection, par exemple) lors de l'utilisation de la solution d'acide citrique ou d'hypochlorite de sodium. La solution peut jaillir et pénétrer dans les yeux. Le cas échéant, laver ses yeux à l'eau propre.

AVIS

Si de la solution d'acide citrique goutte sur les pièces en tôle, bien l'essuyer pour éviter la formation de rouille.

1) Réaliser l'une des solutions suivantes en fonction du but prévu.

Nettoyage (détartrage) : 3,5 litres de solution renfermant 2 % d'acide citrique

Désinfection : 3,5 litres d'eau mélangée avec 13 ml de solution renfermant 5,25 % d'hypochlorite de sodium

2) Ouvrir la porte et retirer toute la glace se trouvant dans le bac de stockage. Vérifier que le séparateur est bien fixé comme indiqué. Sinon, la solution risque d'être projetée sur la glace du bac de stockage.

3) Appuyer sur la touche de nettoyage et la maintenir enfoncée pendant 3 secondes. L'afficheur indique le mode actuellement utilisé. Par exemple, l'afficheur qui indique « run » lors de la production de glace se met à clignoter.

4) Lorsque l'afficheur indique « cln », verser délicatement la quantité suivante de solution dans le réservoir d'eau en veillant à ce que la solution ne déborde pas.

KM-40C-HC : 2 litres

KM-60C-HC : 2,5 litres

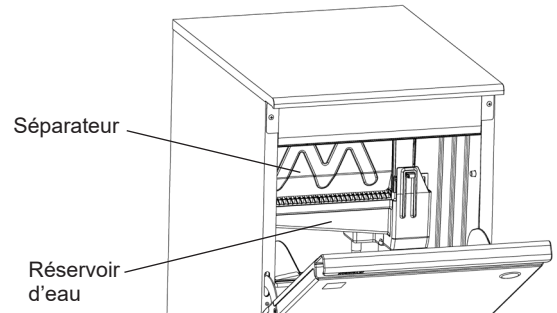
KM-80C-HC : 3 litres

KM-140C-HC : 3,5 litres

5) Rincer le revêtement du bac avec de l'eau propre afin d'évacuer toute la solution qui a pu être déversée dans le bac de stockage. Fermer ensuite la porte.

6) Appuyer sur la touche de nettoyage (ou patienter 15 minutes) pour démarrer le nettoyage chimique automatisé.

7) Une fois le nettoyage terminé, l'appareil reprend son fonctionnement initial.



⚠ AVERTISSEMENT

Si la glace produite après le nettoyage chimique automatisé a mauvais goût, cesser immédiatement d'utiliser la machine à glace et faire appel à un réparateur.

Nettoyage chimique entièrement automatisé (*)

* Uniquement disponible pour le modèle avec nettoyage entièrement automatisé (-W) ou lorsque le kit de nettoyage entièrement automatisé (option) est utilisé.

Le kit de nettoyage entièrement automatisé ajoute automatiquement une dose de produit chimique (1 250 ml de solution renfermant 40 % d'acide citrique) et détartre le circuit d'eau à la fréquence souhaitée. Procéder aux réglages nécessaires comme indiqué à la section « II. 2. REGLAGES DE L'UTILISATEUR ».

Pour plus de détails, voir le manuel d'instructions du kit de nettoyage entièrement automatisé ACK.

2. AVANT D'APPELER UN REPARATEUR

⚠ AVERTISSEMENT

Veiller à ne pas endommager le circuit réfrigérant.

Si la machine à glace ne fonctionne pas correctement ou pas du tout, effectuer les contrôles suivants avant de faire appel au service d'assistance :

* L'appareil est sous tension.

* Le robinet d'eau est ouvert.

* Le filtre à air est propre.

Si le problème est toujours présent, éteindre l'appareil, puis le rallumer ou appuyer sur la touche de réinitialisation.

Si le problème persiste, déterminer si le code d'erreur « E » est indiqué sur l'afficheur ou si le point au centre est allumé et contacter le réparateur Hoshizaki le plus proche.

Si l'un des codes de notification suivants s'affiche, suivre les consignes ci-dessous.

Code	Description
n92	Température anormalement élevée. Nettoyer le filtre à air. Vérifier que la machine est installée comme indiqué à la section « I. 4. EMBLACEMENT ».
n93	Plus de produit chimique (lorsque le kit de nettoyage entièrement automatisé (option) est utilisé). Remplacer ou remplir le récipient de produit chimique et réinitialiser le réglage de l'utilisateur « U.55 » (voir « II. 2. REGLAGES DE L'UTILISATEUR »). Pour modifier la fréquence de notification, utiliser le réglage de l'utilisateur « U.49 ».
n99	La période de temps définie par le réglage de l'utilisateur « U.60 » (voir « II. 2. REGLAGES DE L'UTILISATEUR ») a expiré et l'entretien est nécessaire. Une fois l'entretien effectué, appuyer sur la touche de réinitialisation.

Pour tout autre conseil ou assistance, contacter le réparateur Hoshizaki le plus proche.

3. MISE AU REBUT

Respecter les réglementations locales relatives à la mise au rebut de cet appareil et de son fluide frigorigène. Avant de mettre l'appareil au rebut, enlever la porte pour éviter qu'un enfant ne reste emprisonné.

Mise au rebut correcte de ce produit :

Ce symbole indique que ce produit ne doit pas être mis au rebut avec d'autres déchets ménagers dans l'UE. Pour empêcher que le dépôt non contrôlé de déchets ne nuise à l'environnement ou à la santé, recycler ce produit de manière responsable de sorte que les ressources matérielles soient réutilisées durablement. Pour se débarrasser de l'appareil usagé, s'adresser aux services de collecte de déchets ou contacter le détaillant où le produit a été acheté. Ils peuvent prendre en charge ce produit et le recycler de manière respectueuse pour l'environnement.



⚠ AVERTISSEMENT



Risque d'incendie

La mousse d'isolation utilisée dans la carrosserie de l'unité contient du gaz inflammable (cyclopentane). Prendre cela en compte lors de la mise au rebut de l'appareil afin de le recycler correctement.

4. GARANTIE

Hoshizaki garantit au propriétaire/à l'utilisateur d'origine que tous les produits portant la marque Hoshizaki seront exempts de tout défaut et/ou vice de fabrication au cours de la « période de garantie ». La garantie est valable deux ans à compter de la date d'installation.

La responsabilité de Hoshizaki aux termes de la garantie est limitée et exclut les interventions d'entretien de routine, de nettoyage, de maintenance essentielle et/ou les réparations découlant d'une utilisation abusive et d'installations non conformes aux directives de Hoshizaki.

Les réparations effectuées au titre de la garantie doivent être effectuées par un revendeur ou un réparateur agréé Hoshizaki utilisant des composants Hoshizaki d'origine.

Pour tout renseignement sur la garantie et les agents de service agréés, prendre contact avec le distributeur/fournisseur ou le centre de services Hoshizaki le plus proche :

Europe, Moyen-Orient, Afrique

Hoshizaki UK - Royaume-Uni, Irlande
 TEL. : +44 845 456 0585
 FAX : +44 132 283 8331
 uksales@hoshizaki.uk

Hoshizaki Middle East - Moyen-Orient
 TEL. : +971 48 876 612
 FAX : +971 48 876 613
 sales@hoshizaki.ae

Hoshizaki Deutschland - Allemagne, Suisse, Autriche, Pologne,
 République tchèque, Slovaquie
 TEL. : +49 5121 697370
 FAX : +49 5121 6973719
 vertrieb@hoshizaki.de

Hoshizaki Benelux - Pays-Bas, Belgique, Luxembourg
 TEL. : +31 85 018 83 70
 info@hoshizaki.nl

FRANÇAIS

Hoshizaki France - France
 TEL. : +33 1 48 63 93 80
 FAX : +33 1 48 63 93 88
 info@hoshizaki.fr

Hoshizaki Italia - Italie
 TEL. : +39 344 0616467
 TEL. : +39 348 3022156
 info@hoshizaki.it

Hoshizaki Iberia - Espagne, Portugal
 TEL. : +34 93 478 09 52
 FAX : +34 93 478 08 00
 info@hoshizaki.es

Hoshizaki Europe B.V. - tous les autres pays d'Europe et d'Afrique
 TEL. : +31 20 6918499
 FAX : +31 20 6918768
 sales@hoshizaki.nl

SPECIFICATIONS

Modèle	KM-40C-HC	KM-60C-HC	KM-80C-HC	KM-140C-HC
Type	Refroidi par air, glaçons demi-lune	Refroidi par air, glaçons demi-lune	Refroidi par air, glaçons demi-lune	Refroidi par air, glaçons demi-lune
Alimentation	1 phase 220 - 240 V 50 Hz	1 phase 220 - 240 V 50 Hz	1 phase 220 - 240 V 50 Hz	1 phase 220 - 240 V 50 Hz
Consommation électrique	209 W	242 W	299 W	564 W
Production de glace par 24 h	43 kg (temp. ambiante 10 °C, temp. de l'eau 10 °C)	60 kg (temp. ambiante 10 °C, temp. de l'eau 10 °C)	75 kg (temp. ambiante 10 °C, temp. de l'eau 10 °C)	135 kg (temp. ambiante 10 °C, temp. de l'eau 10 °C)
Dimensions	452 (l) × 610 (P) × 988 (H) mm	605 (l) × 610 (P) × 988 (H) mm	605 (l) × 712 (P) × 988 (H) mm	630 (l) × 719 (P) × 1333 (H) mm
Fluide frigorigène	R290, 68 g	R290, 90 g	R290, 147 g	R290, 110 g
Agent d'expansion de mousse isolante	Sans HFC	Sans HFC	Sans HFC	Sans HFC
Poids	Net : 39 kg (brut : 49 kg)	Net : 45 kg (brut : 57 kg)	Net : 50 kg (brut : 63 kg)	Net : 69 kg (brut : 81 kg)
Température ambiante	7 - 38 °C	7 - 38 °C	7 - 38 °C	7 - 38 °C
Température de l'arrivée d'eau	7 - 32 °C	7 - 32 °C	7 - 32 °C	7 - 32 °C
Pression de l'arrivée d'eau	0,07 - 0,8 MPa (0,7 - 8 bar)	0,07 - 0,8 MPa (0,7 - 8 bar)	0,07 - 0,8 MPa (0,7 - 8 bar)	0,07 - 0,8 MPa (0,7 - 8 bar)
Plage de tension	Tension nominale ± 6 %	Tension nominale ± 6 %	Tension nominale ± 6 %	Tension nominale ± 6 %

Modèle	KM-40C-HC-W	KM-60C-HC-W	KM-80C-HC-W	KM-140C-HC-W
Type	Refroidi par air, glaçons demi-lune, nettoyage entièrement automatisé	Refroidi par air, glaçons demi-lune, nettoyage entièrement automatisé	Refroidi par air, glaçons demi-lune, nettoyage entièrement automatisé	Refroidi par air, glaçons demi-lune, nettoyage entièrement automatisé
Alimentation	1 phase 220 - 240 V 50 Hz	1 phase 220 - 240 V 50 Hz	1 phase 220 - 240 V 50 Hz	1 phase 220 - 240 V 50 Hz
Consommation électrique	209 W	242 W	299 W	564 W
Production de glace par 24 h	43 kg (temp. ambiante 10 °C, temp. de l'eau 10 °C)	60 kg (temp. ambiante 10 °C, temp. de l'eau 10 °C)	75 kg (temp. ambiante 10 °C, temp. de l'eau 10 °C)	135 kg (temp. ambiante 10 °C, temp. de l'eau 10 °C)
Dimensions	452 (l) × 610 (P) × 988 (H) mm	605 (l) × 610 (P) × 988 (H) mm	605 (l) × 712 (P) × 988 (H) mm	630 (l) × 719 (P) × 1333 (H) mm
Fluide frigorigène	R290, 68 g	R290, 90 g	R290, 147 g	R290, 110 g
Agent d'expansion de mousse isolante	Sans HFC	Sans HFC	Sans HFC	Sans HFC
Poids	Net : 41 kg (brut : 51 kg)	Net : 47 kg (brut : 59 kg)	Net : 52 kg (brut : 65 kg)	Net : 71 kg (brut : 83 kg)
Température ambiante	7 - 38 °C	7 - 38 °C	7 - 38 °C	7 - 38 °C
Température de l'arrivée d'eau	7 - 32 °C	7 - 32 °C	7 - 32 °C	7 - 32 °C
Pression de l'arrivée d'eau	0,07 - 0,8 MPa (0,7 - 8 bar)	0,07 - 0,8 MPa (0,7 - 8 bar)	0,07 - 0,8 MPa (0,7 - 8 bar)	0,07 - 0,8 MPa (0,7 - 8 bar)
Plage de tension	Tension nominale ± 6 %	Tension nominale ± 6 %	Tension nominale ± 6 %	Tension nominale ± 6 %

WICHTIGE SICHERHEITSHINWEISE

Dieses Handbuch enthält Hinweise, die Sie auf Situationen aufmerksam machen sollen, die Tod, schwere Verletzungen oder Geräteschäden verursachen können.

▲WARNUNG	Kennzeichnet eine gefährliche Situation, die, wenn sie nicht vermieden wird, zum Tod oder zu schweren Verletzungen führen kann.
▲VORSICHT	Kennzeichnet eine gefährliche Situation, die, wenn sie nicht vermieden wird, zu leichten oder mittleren Verletzungen führen kann.
HINWEIS	Kennzeichnet eine gefährliche Situation, die, wenn sie nicht vermieden wird, zu Geräteschäden führen kann.
▲HYGIENE	Kennzeichnet wichtige Maßnahmen für Hygiene und Lebensmittelsicherheit.
WICHTIG	Kennzeichnet wichtige Informationen zu Gebrauch und Pflege des Gerätes.

Das in diesem Eisbereiter verwendete HFC-freie Kältemittel (Propan) ist nicht ozonschädigend und ökologisch nachhaltig, und wirkt sich nur wenig auf die globale Erwärmung aus.

▲WARNUNG	
Der Eisbereiter dieses Gerätes enthält entflammbares Kältemittel; Installation, Handhabung, Wartung und Entsorgung dürfen deshalb nur von autorisierten Technikern ausgeführt werden.	
Das Kältemittel in diesem Eisbereiter ist entflammbar und im Kältesystem eingeschlossen. Obwohl das Kältemittel bei normalem Gebrauch nicht austritt, muss der Eisbereiter mit äußerster Sorgfalt gehandhabt werden, um das System in keiner Weise zu beschädigen.	
<p>Falls das Kältesystem versehentlich beschädigt und dadurch Kältemittel freigesetzt wird:</p> <ul style="list-style-type: none"> * In der Nähe keine Funkenquelle erzeugen. * In der Nähe keine elektrischen Schalter betätigen oder Stecker verwenden. * Kein offenes Feuer verwenden. * Den Bereich sofort durch Öffnen von Türen und/oder Fenstern lüften. * Den Kundendiensttechniker rufen. 	
WICHTIG	
Diese Broschüre ist ein integraler und wesentlicher Bestandteil des Produkts und ist deshalb vom Benutzer aufzubewahren.	
Bitte lesen Sie die Hinweise und Warnungen sorgfältig durch, da sie wichtige Informationen für die sachgemäße Installation, einen langen, sicheren Gebrauch und die Wartung des Produkts enthalten.	
Bitte heben Sie diese Bedienungsanleitung auf, damit Sie bei Bedarf darauf zurückgreifen können.	

⚠️ WARNUNG

Dies ist ein Eisbereiter für den gewerblichen Einsatz, der ausschließlich für den vorgesehenen Zweck zu benutzen ist.

Jede andere Verwendung ist als Zweckentfremdung und somit als gefährlich anzusehen. Der Hersteller übernimmt keine Haftung oder Verantwortung für Schäden, die durch missbräuchliche, falsche oder unangemessene Verwendung verursacht werden.

Installation und erforderliche Standortverlegungen sind von qualifiziertem Personal in Übereinstimmung mit geltenden Vorschriften nach Angaben des Herstellers auszuführen.

Die Lüftungsöffnungen im Gerätegehäuse oder im Innern des Gerätes nicht blockieren.

Zum Beschleunigen des Abtauvorgangs ausschließlich die vom Hersteller empfohlenen mechanischen Geräte oder anderen Mittel verwenden.

Wie bei allen Elektrogeräten sind stets einige grundsätzliche Vorsichtsmaßnahmen zu beachten. Insbesondere:

* Bei hoher Feuchtigkeit oder Nässe besteht Kurzschlussgefahr, wodurch ein elektrischer Schlag verursacht werden kann. Im Zweifelsfall ist der Netzstecker des Eisbereiters zu ziehen.

* Das Stromkabel nicht beschädigen und nicht daran ziehen, um den Eisbereiter vom Stromnetz zu trennen.

* Ist das Netzkabel beschädigt, muss es durch ein vom Hoshizaki-Ersatzteil-/Kundendienst erhältliches Ersatzkabel ersetzt werden.

* Die elektrischen Komponenten und die Schalter nicht mit feuchten Händen berühren.

* Dieses Gerät darf nicht von Personen (einschl. Kindern) benutzt werden, deren physische, sensorische oder mentale Fähigkeiten eingeschränkt sind oder über keine Erfahrung und kein Wissen verfügen. Es kann jedoch benutzt werden von Kindern ab 8 Jahren und Personen, deren physische, sensorische oder mentale Fähigkeiten eingeschränkt sind oder über keine Erfahrung und kein Wissen verfügen, wenn sie von einer für ihre Sicherheit verantwortlichen Person bei der Benutzung des Gerätes beaufsichtigt oder angeleitet werden.

* Kinder dürfen nicht mit dem Gerät spielen.

* Reinigungs- und Wartungsarbeiten dürfen von Kindern nicht unbeaufsichtigt durchgeführt werden.

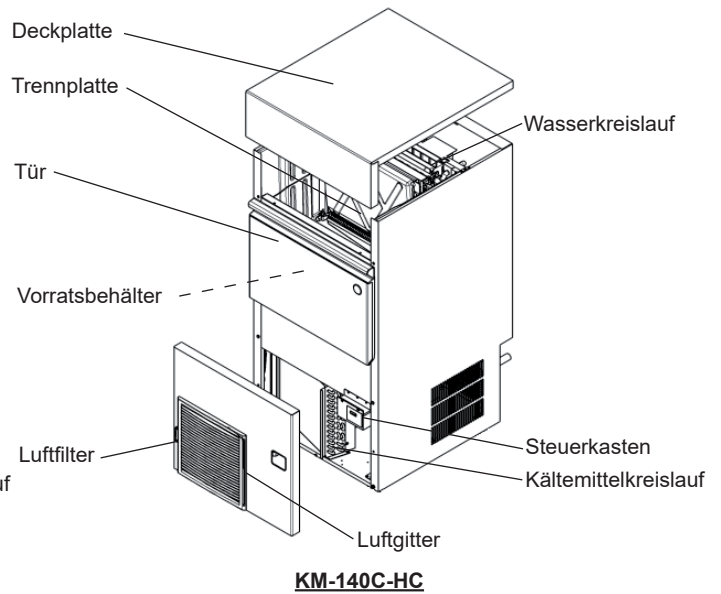
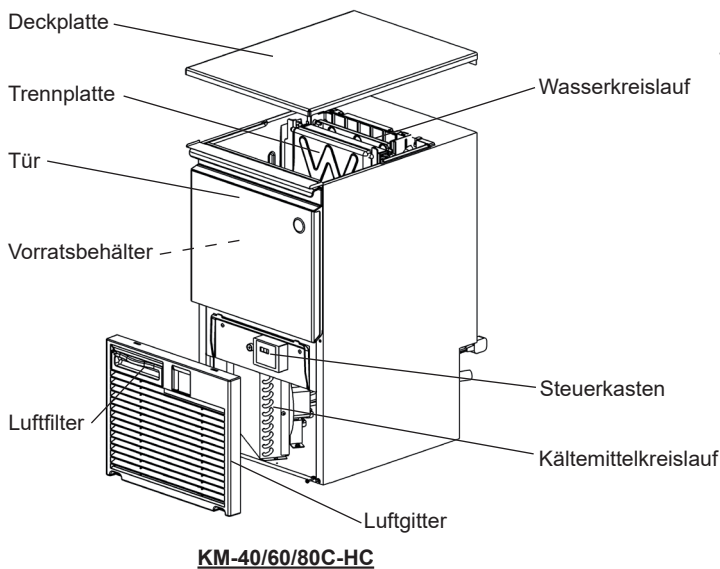
* Am Eisbereiter dürfen keine Änderungen vorgenommen werden. Das Gerät darf nur von Fachpersonal zerlegt oder instand gesetzt werden.

Beim Aufstellen des Gerätes darauf achten, dass das Netzkabel nicht eingeklemmt oder beschädigt wird.

Hinter dem Gerät dürfen sich keine Steckdosenleisten oder tragbaren Netzgeräte befinden.

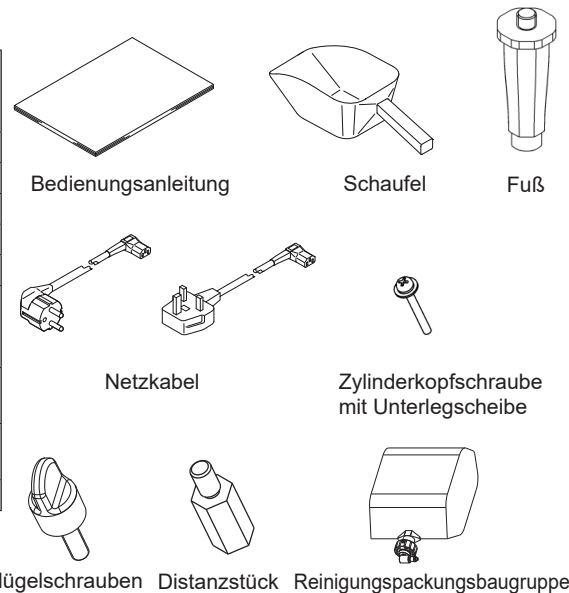
I. INSTALLATIONSANLEITUNG

1. KONSTRUKTION



2. ZUBEHÖR

	KM-40C-HC KM-60C-HC KM-80C-HC	KM-140C-HC	KM-40C-HC-W KM-60C-HC-W KM-80C-HC-W	KM-140C-HC-W
Bedienungsanleitung	1	1	1	1
Schaufel	1	1	1	1
Fuß	4	4	4	4
Netzkabel (Mittleuropa)	1	1	1	1
Netzkabel (UK)	1	1	1	1
Zylinderkopfschraube mit Unterlegscheibe (M4 x 30) (Gitterbefestigung)	2	-	-	-
Flügelschrauben (Gitterbefestigung)	-	-	2	1
Distanzstück (M4) (Gitterbefestigung)	-	-	2	-
Reinigungspackungsbaugruppe	-	-	1	1



3. ENTPACKEN

⚠️ WARNUNG

Kinder sollten keinen Zugang zum Verpackungsmaterial (Kunststoffbeutel und Polystyrol) haben, da dieses eine mögliche Gefahrenquelle darstellt.

⚠️ VORSICHT

Den Karton nicht an den Transportbändern anheben oder tragen.

Wenn das Gerät manuell bewegt werden soll, das Gitter entfernen und die Geräteunterseite festhalten. Nicht die obere Verkleidung oder die Tür halten. Diese können sich lösen und Verletzungen verursachen.

Beim Tragen des Gerätes stets Schutzhandschuhe tragen.

Um Verletzungen zu vermeiden, den Karton oder das ausgepackte Gerät stets zu zweit handhaben.

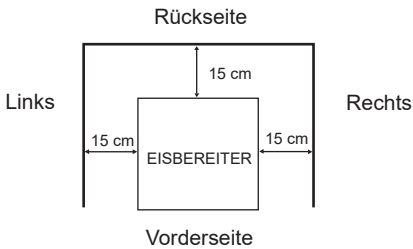
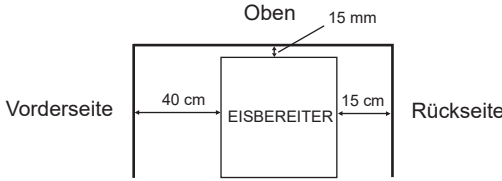
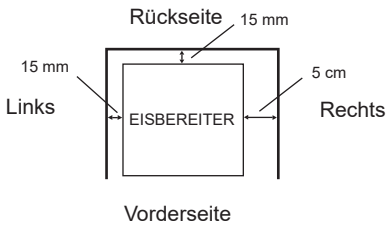
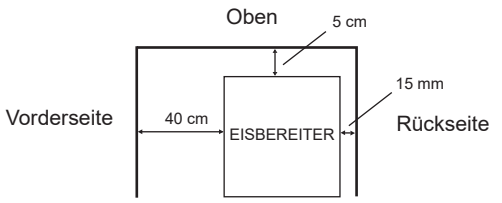
HINWEIS

Versandkarton, Bänder und anderes Verpackungsmaterial entfernen. Wenn Verpackungsmaterial im Eisbereiter gelassen wird, arbeitet diese nicht richtig.

DEUTSCH

- 1) Nach Entfernung des Verpackungsmaterials sollten Sie überprüfen, dass der Eisbereiter in gutem Zustand ist. Im Zweifelsfall den Eisbereiter nicht verwenden, sondern qualifiziertes Fachpersonal hinzuziehen.
- 2) Das Klebeband, mit dem Tür und Trennplatte festgemacht wurden, entfernen.
- 3) Entfernen Sie die Kunststoffolie von der Außenseite. Wenn der Eisbereiter Sonne oder Wärme ausgesetzt ist, die Folie erst abziehen, nachdem der Eisbereiter abgekühlt ist.
- 4) Die Packung mit den Zubehörteilen herausnehmen. Den Inhalt anhand von „2. ZUBEHÖR“ kontrollieren.

4. AUFSTELLUNGORT

⚠️ WARNUNG	
Dieser Eisbereiter eignet sich nicht für den Gebrauch im Freien.	
Der Eisbereiter darf nicht neben Öfen, Grills oder anderen Geräten aufgestellt werden, die Hitze erzeugen.	
Dieses Gerät eignet sich nicht für die Aufstellung in Räumen, in denen ggf. ein Wasserstrahl benutzt wird.	
⚠️ VORSICHT	
Der Aufstellort für den Eisbereiter muss stabil und eben sein.	
HINWEIS	
Keine Gegenstände auf die Deckplatte oder vor das Luftgitter des Eisbereiters stellen.	
WICHTIG	
Für Normalbetrieb muss die Raumtemperatur zwischen 7 °C und 38 °C und die Wassertemperatur zwischen 7 °C und 32 °C liegen. Längerer Gebrauch des Eisbereiters bei Temperaturen außerhalb dieser normalen Temperaturgrenzwerte kann die Produktionsleistung beeinträchtigen.	
Die unten angegebenen Abstände einhalten, um eine optimale Luftzirkulation zu gewährleisten und die Wartung bzw. Pflege des Gerätes zu erleichtern.	
<div style="display: flex; justify-content: space-around;"> <div style="text-align: center;"> <p>[KM-40/60/80C-HC(-W)]</p> <p>Ansicht von oben</p>  <p>Rückseite (top), Vorderseite (bottom), Links, Rechts</p> </div> <div style="text-align: center;"> <p>Seitenansicht</p>  <p>Oben (top), Vorderseite (left), Rückseite (right)</p> </div> </div> <hr style="border-top: 1px dashed black;"/> <div style="display: flex; justify-content: space-around;"> <div style="text-align: center;"> <p>[KM-140C-HC(-W)]</p> <p>Ansicht von oben</p>  <p>Rückseite (top), Vorderseite (bottom), Links, Rechts</p> </div> <div style="text-align: center;"> <p>Seitenansicht</p>  <p>Oben (top), Vorderseite (left), Rückseite (right)</p> </div> </div>	
In Umgebungen mit hoher Feuchtigkeit kann sich Kondenswasser im Gerät bilden und auf den Boden tropfen. Das Gerät nicht auf Böden aufstellen, die durch Wasser beschädigt werden können.	
Das Gerät nicht über längere Zeit direktem Sonnenlicht aussetzen.	

5. INSTALLATION

⚠️ VORSICHT	
Eine falsche Installation kann zu Verletzungen von Menschen und Tieren oder zu Sachschäden führen, für die der Hersteller nicht haftet.	

- * Platzieren Sie den Eisbereiter am ausgesuchten permanenten Aufstellungsort.
- * Das Gerät muss so aufgestellt werden, dass der Stecker zugänglich ist.
- * Den Eisbereiter sowohl in der Richtung links/rechts als auch vorne/hinten durch Justierung der FüÙe waagrecht ausrichten.

6. ELEKTRISCHE ANSCHLÜSSE

⚠ WARNUNG

DIESES GERÄT MUSS GEERDET WERDEN

Dieser Eisbereiter erfordert einen Schutzkontakt, der nationalen und lokalen Bestimmungen entspricht.

Um schwere Körperverletzungen und Gerätebeschädigungen infolge eines elektrischen Schlages zu vermeiden, ist ein ordnungsgemäÙer Erdleiter am Eisbereiter anzubringen.

Die Stromversorgung ausschalten, bevor Wartungs-, Reparatur- oder Reinigungsarbeiten vorgenommen werden.

- * Dieses Gerät benötigt eine separate Stromversorgung mit 220-240 V~, 10 A. Die Stromversorgung muss mit einem geeigneten Leistungsschutzschalter gesichert werden.
- * Die Hauptsicherung im Schaltkasten ist für eine Stromstärke von 5 A ausgelegt und darf nur von einer autorisierten Fachkraft ausgewechselt werden.
- * Normalerweise ist dies von einem Elektriker mit entsprechender Qualifikation auszuführen.

Nur für das Vereinigte Königreich und die Republik Irland

- * Die Leitungen im Netzkabel sind nach dem folgenden Farbcode gekennzeichnet:

Grün & Gelb = Erde

Blau = Nullleiter

Braun = spannungsführender Leiter

Die Farben der Adern im Netzkabel dieses Geräts stimmen möglicherweise nicht mit den Farbmarkierungen in Ihrem Stecker überein, daher bitte immer wie folgt verfahren:

Der grün-gelbe Leiter ist an die Klemme anzuschließen, die mit dem Buchstaben E oder dem Symbol \perp bzw. grün oder gelb-grün markiert ist. Die blaue Ader ist an die Klemme anzuschließen, die mit dem Buchstaben N oder schwarz markiert ist. Die braune Ader ist an die Klemme anzuschließen, die mit dem Buchstaben L oder rot markiert ist.

- * Falls der mit dem Gerät gelieferte Stecker für die Netzsteckdose am Installationsort ungeeignet ist, muss er entfernt (bzw. wenn er verkapselt ist, abgeschnitten) und durch einen passenden Stecker ersetzt werden.

Ein abgeschnittener, verkapselter (nicht zugänglicher Stecker) muss entsorgt werden. Versuchen Sie nicht, ihn wiederzuverwenden. Durch die Verwendung eines solchen Steckers in einer anderen Steckdose besteht die Gefahr eines elektrischen Schlags.

- * Der verkapselte Stecker ist nie ohne angebrachte Sicherungsabdeckung zu verwenden.

Der richtige Ersatz für die abnehmbare Sicherungsabdeckung lässt sich anhand der Hersteller-Referenznummer ermitteln, die auf den Stecker gestanzt ist.

Ersatzabdeckungen für Sicherungen sind von Hoshizaki-Ersatzteil-/Service-Zentren erhältlich.

Sicherungen sollten mit 10 A ausgelegt sein und die Norm BS 1362 erfüllen.

7. WASSERZULAUF- UND WASSERABFLUSSANSCHLÜSSE

⚠ WARNUNG



Nur an die kalte Trinkwasserversorgung anschließen.

DEUTSCH

* Die Anschlüsse an die Hauptwasserversorgung müssen entsprechend den Anforderungen der aktuellen Wasserversorgungs- oder Wasseranschlussbestimmungen ausgeführt werden.

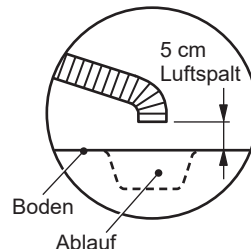
* Wasser für die Eisbereitung muss Trinkwasser sein. Wo Ablagerungen durch die Wasserqualität verursacht werden können, wird der Einbau eines externen Filters oder Weichmachers empfohlen. Wenden Sie sich an Ihren örtlichen Wasseraufbereitungsspezialisten oder an den Hoshizaki-Kundendienst.

* Der Druck in der Wasserzufuhrleitung muss mindestens 0,07 MPa (0,7 bar) und darf höchstens 0,8 MPa (8 bar) betragen. Bei einem höheren Druck als 0,8 MPa (8 bar) ist ein geeignetes Druckreduzierventil zu verwenden. Der Wasserzulauf am Hahn selbst darf NICHT gedrosselt werden.

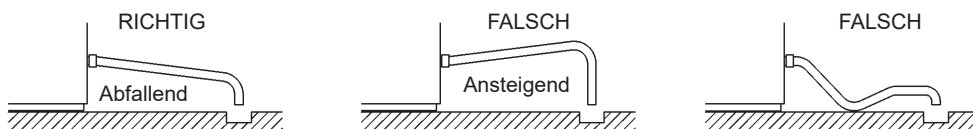
* In bestimmten Gebieten sind eine Installationsgenehmigung und die Dienste eines zugelassenen Installateurs erforderlich.

* Der Abfluss des Wassers aus dem Eisbereiter erfolgt durch Schwerkraft, daher ist auf ein ausreichendes Gefälle des Abflussschlauchs zu achten.

* Die Installation von Ablaufleitungen sollte nicht direkt in das Abwassersystem führen. Vom Abflussschlauchende des Eisbereiters sollte mindestens ein 5 cm hoher vertikaler Luftspalt zum Bodenablauf verbleiben.

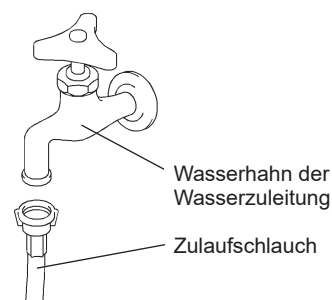
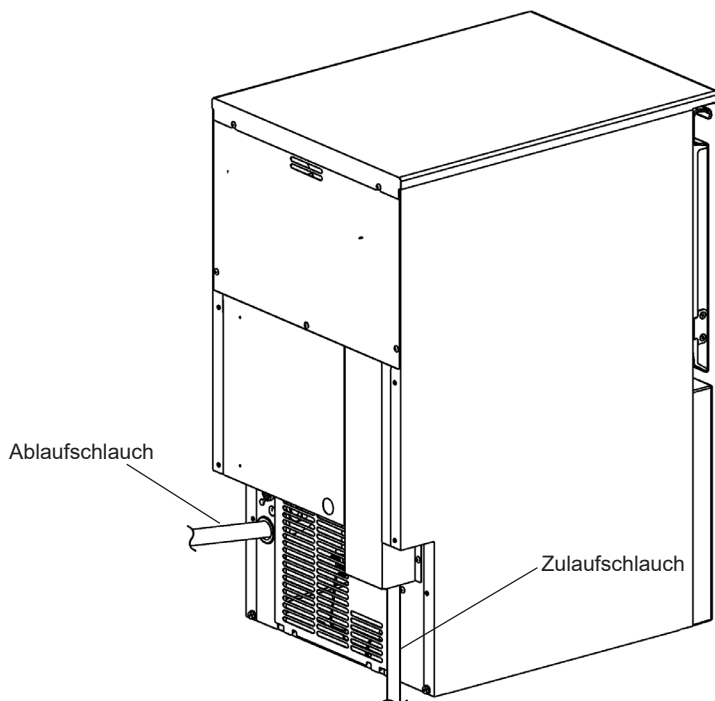


* Um einen Rücklauf in den Vorratsbehälter zu verhindern, muss der Abflussschlauch wie gezeigt verlegt sein.



1) Das freie Ende des Zulaufschlauches mit dem Wasserhahn verbinden und darauf achten, dass die Unterlegscheibe richtig positioniert ist. Mit der Hand so anziehen, dass die Verbindung dicht ist. Vorsichtshalber sollte das Absperrventil in Reichweite sein.

2) Der Abflussschlauch lässt sich auf die richtige Länge, d. h. der Position des Hauptabflusses entsprechend, zuschneiden.



II. BEDIENUNGSANLEITUNG

HINWEIS

Alle Komponenten wurden werksseitig eingestellt. Unsachgemäße Einstellarbeiten können die ordnungsgemäße Funktion des Eispenders beeinträchtigen.

Um eine Beschädigung des Verdichters zu vermeiden, nach Ausschalten des Eisbereiters mindestens 3 Minuten lang warten, bevor das Gerät wieder eingeschaltet wird.

HYGIENE

Dieser Eisbereiter ist für die Herstellung von Trinkwassereis konzipiert. Aus Gründen der Hygiene:

- * Vor der Eisentnahme die Hände waschen. Zum Entnehmen von Eis immer die Kunststoffschaufel (Zubehör) verwenden.
- * Der Vorratsbehälter ist ausschließlich für Eis zu verwenden. Nichts anderes im Vorratsbehälter aufbewahren und keine anderen elektrischen Geräte im Vorratsbehälter verwenden.
- * Vorratsbehälter vor der Verwendung reinigen (siehe „III. 1. REINIGUNG“).
- * Die Eisschaufel sauberhalten. Stets ein neutrales Reinigungsmittel verwenden und gründlich abspülen.
- * Nach der Entnahme von Eis immer die Tür schließen, um das Eindringen von Schmutz, Staub oder Ungeziefer in den Vorratsbehälter zu verhindern.

Bedienungstafel

[1] Anzeige

- run: Eisbereitung
- oFF: Abschaltung
- FUL: Behälter voll
- cln: Reinigung

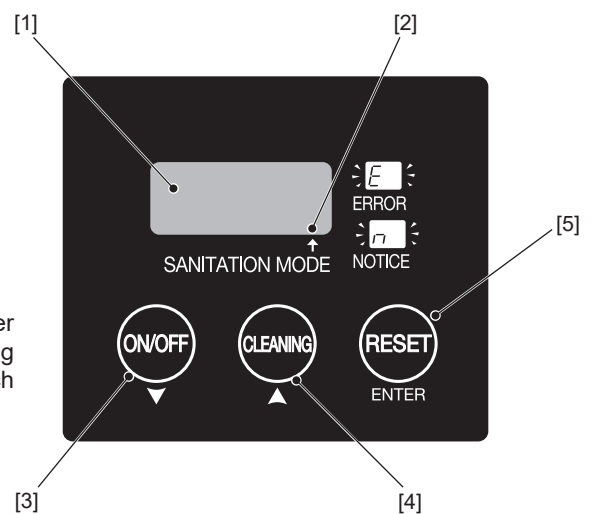
[2] Punkt

- Aus: Normalmodus
- Ein: Desinfektionsmodus (*)
- * Nach 4 Stunden kontinuierlicher Inaktivität reinigt und spült der Eisbereiter automatisch den Wasserkreislauf, um eine Vermehrung von Bakterien zu verhindern und ihn langfristig sauber und hygienisch zu halten.

[3] EIN/AUS-Taste / Abwärtstaste

[4] Reinigungstaste / Aufwärtstaste

[5] Reset-Taste / Eingabetaste



1. INBETRIEBNAHME

In der Regel nimmt der Aufsteller den Eisbereiter in Betrieb und startet die automatische Eisproduktion. Für Dauerbetrieb ist darauf zu achten:

- * Der Wasserzulaufhahn ist geöffnet,
- * Der Eisbereiter ist an das Stromnetz angeschlossen.
- * In der Anzeige erscheint „run“.

2. BENUTZEREINSTELLUNGEN

Die unten aufgeführten Einstellungen sind durch den Benutzer veränderbar.

- 1) Die Reset-Taste 3 Sekunden lang drücken, um den Benutzereinstellungsmodus aufzurufen. Auf der Anzeige erscheint einer der Einstellungs-codes.
- 2) Die Aufwärts- oder Abwärtstaste drücken, bis der gewünschte Einstellungscode erscheint. Dann die Eingabetaste drücken.
- 3) Mit der Aufwärts- oder Abwärtstaste die Einstellung ändern. Dann die Eingabetaste drücken.
- 4) Nach Abschluss der Einstellung die Aufwärts- oder Abwärtstaste drücken, bis „END“ auf der Anzeige erscheint. Dann die Eingabetaste drücken, um den Benutzereinstellungsmodus zu verlassen.

Code	Funktion	Beschreibung	Standard
U.04	Entleerungshäufigkeit	0: Keine Entleerung 1: Nach je 1 Zyklus 2: Nach je 2 Zyklen 5: Nach je 5 Zyklen 10: Nach je 10 Zyklen 20: Nach je 20 Zyklen	10: Nach je 10 Zyklen
U.44	Häufigkeit der automatischen Wasserreinigung	0: Keine automatische Wasserreinigung 5: Nach je 5 Zyklen 10: Nach je 10 Zyklen 15: Nach je 15 Zyklen 20: Nach je 20 Zyklen 40: Nach je 40 Zyklen 60: Nach je 60 Zyklen	20: Nach je 20 Zyklen
U.49	Anzahl der Chemikaliendosen (*)	Wenn die Chemikaliendosen die eingestellte Anzahl erreichen, erscheint der Hinweiscode „n93“, der zeigt, dass die Chemikalie verbraucht ist.	KM-40: 15-mal KM-60: 13-mal KM-80: 12-mal KM-140: 16-mal
U.50	Häufigkeit der voll automatischen chemischen Reinigung (*)	Die voll automatische chemische Reinigung wird mit der eingestellten Häufigkeit eingeleitet. Einstellbar von alle 400 bis alle 1000 Zyklen (in Schritten von 100 Zyklen) z. B. 40 = 400 Zyklen	–
U.51	UV-LED-Bestrahlungsdauer (**)	Die Bestrahlung mit der UV-LED erfolgt für die eingestellte Dauer. Einstellbar auf keine Bestrahlung oder von 10 bis 30 Minuten (in Schritten von 1 Minute)	–
U.52	Häufigkeit der UV-LED-Bestrahlung (**)	Die Bestrahlung mit der UV-LED im Gefrierzyklus erfolgt nach Ablauf der eingestellten Zeit. Einstellbar von 30 bis 300 Minuten (in Schritten von 10 Minuten)	120 Minuten
U.53	Betriebsmodus	nor: Normalmodus cln: Desinfektionsmodus (Nach 4 Stunden kontinuierlicher Inaktivität wird der Wasserkreislauf automatisch gereinigt, um eine Vermehrung von Bakterien zu verhindern.)	nor: Normalmodus
U.54	Modus zur voll automatischen chemischen Reinigung (*)	Bei Auswahl von „cln“ (Desinfektionsmodus) führt das Gerät ungeachtet der mit U.50 eingestellten Häufigkeit einen Zyklus der voll automatischen chemischen Reinigung mithilfe des Kits für die voll automatische chemische Reinigung (Option) durch.	–
U.55	Anzahl der Chemikaliendosen zurücksetzen (*)	Setzt den Hinweiscode „n93“ (Chemikalie verbraucht) und die Anzahl der Chemikaliendosen zurück.	–
U.56	Einstellungen zurücksetzen	Setzt alle Benutzereinstellungen auf den Standardwert zurück.	–
U.58	Erzwungene Abschaltung	Schaltet das Gerät ungeachtet der jeweiligen Umstände ab.	–
U.59	Zwangsentleerung	Schaltet das Gerät ungeachtet der jeweiligen Umstände ab und entleert es.	–
U.60	Hinweis (z. B. Wartung)	Hinweiscode „n99“ erscheint nach Ablauf der eingestellten Zeit. Einstellbar von 0 (keine Anzeige) bis 6000 Stunden (in Schritten von 100 Stunden)	0: Keine
U.68	Rücksetzungshinweis	Setzt den Zähler für Hinweis U.60 zurück.	–

* Gilt nur für das Modell mit voll automatischer Reinigung (-W) oder bei Verwendung des Kits für voll automatische Reinigung (Option).

** Gilt nur bei Verwendung der UV-LED (Option).

3. MASSNAHMEN FÜR DIE LANGFRISTIGE LAGERUNG DES EISBEREITERS

HINWEIS
Dieser Eisbereiter arbeitet nicht bei Temperaturen unter Null. Um Schaden an der Wasserzufuhrleitung zu vermeiden, ist das Wasser aus dem Eisbereiter zu entfernen, sobald die Lufttemperatur unter 0 °C sinkt.

▲HYGIENE

Wird der Eisbereiter zwei Tage oder länger ausgeschaltet, das Wasser aus dem Eisbereiter ablassen, um eine Verunreinigung des Wasserkreises zu vermeiden.

- 1) Die ON/OFF-Taste drücken. In der Anzeige erscheint „oFF“.
- 2) Die Reset-Taste 3 Sekunden lang drücken, um den Benutzereinstellungsmodus aufzurufen.
- 3) Benutzereinstellung „U.59“ auf „1“ setzen, um den Eisbereiter zu entleeren.
- 4) Netzstecker des Eisbereiters ausstecken oder die Stromversorgung trennen.
- 5) Wasserzulaufhahn zudrehen und Zulaufschlauch entfernen.
- 6) Alles Eis aus dem Vorratsbehälter entfernen und den Behälter reinigen.
- 7) Wasserkreislauf chemisch reinigen, wie beschrieben in „III. 1. [e] Wasserkreislauf zur Eisherstellung“.
- 8) Vor dem erneuten Gebrauch des Eisbereiters den Wasserkreislauf erneut mit frischem Wasser oder einer chemischen Reinigung reinigen, wie beschrieben in „III. 1. [e] Wasserkreislauf zur Eisherstellung“.

III. WARTUNG

1. REINIGUNG

▲WARNUNG

Vor Durchführung von Reinigungs- oder Wartungsarbeiten immer den Netzstecker des Eisbereiters ziehen.

Dieses Gerät darf nicht mit einem Wasserstrahl gereinigt werden.

▲VORSICHT

Bei der Verwendung eines Neutralreinigers oder von Natriumhypochlorit die Hinweise zur Vermeidung von Gesundheitsschäden aufmerksam lesen und beachten.

HINWEIS

Den Eisbereiter mindestens zweimal im Jahr von qualifiziertem Fachpersonal reinigen und desinfizieren lassen; den Verflüssiger mindestens einmal im Jahr prüfen und reinigen lassen.

Um Beschädigungen zu vermeiden, Kunststoffteile nicht mit über 40 °C heißem Wasser oder in einem Geschirrspüler reinigen.

Keinesfalls Alkohol zur Reinigung/Desinfektion des Eisbereiters verwenden. Dies könnte zu Rissbildung auf den Kunststoffteilen führen.

▲HYGIENE

Um ihre Wirkung und hygienische Qualität zu gewährleisten, sollten die Reinigungs- und Desinfektionslösungen unmittelbar vor ihrem Gebrauch zubereitet werden.

[a] Gerät und Außenseite des Vorratsbehälters

Alle Außenflächen mindestens einmal in der Woche mit einem sauberen, weichen Tuch abwischen. Fett- und Schmutzspuren mit einem feuchten Tuch und neutralem Reinigungsmittel entfernen.

[b] Reinigung/Desinfektion von Eisschaufel und Griff des Vorratsbehälters (täglich)

- 1) In einem geeigneten Behälter entweder 3 l Wasser mit 11 ml einer 5,25%igen Natriumhypochloritlösung mischen oder den empfohlenen Hoshizaki-Desinfizierer wie beschrieben verwenden.
- 2) Die Eisschaufel länger als 3 Minuten in der Lösung baden. Gründlich spülen und zum Entfernen der Restflüssigkeit gut schütteln.

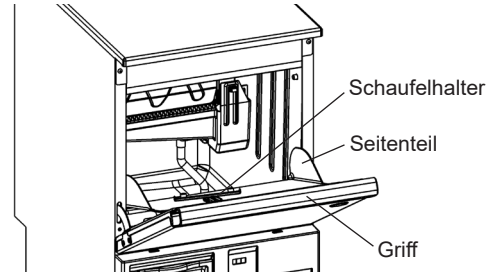
Hinweis: Abtrocknen mit einem Tuch kann zu erneuter Verschmutzung führen.

DEUTSCH

- 3) Zum Abwaschen des Vorratsbehältergriffs einen Neutralreiniger benutzen. Gründlich spülen.
- 4) Ein sauberes Tuch mit der Desinfizierlösung tränken und den Griff abwischen. Benutzen Sie frisches Wasser und ein sauberes Tuch zum Abspülen bzw. Abwischen.

[c] Reinigung/Desinfektion der Innenflächen des Vorratsbehälters (wöchentlich)

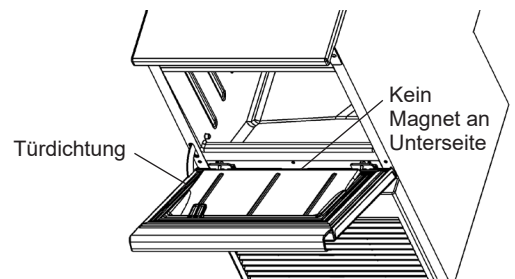
- 1) Vorratsbehältertür öffnen und sämtliches Eis entfernen.
- 2) Den Schaufelhalter aus dem Seitenteil nehmen.
- 3) Die Auskleidung des Vorratsbehälters und den Schaufelhalter mit einem neutralen, nicht scheuernden Reinigungsmittel waschen. Gründlich spülen.
- 4) Ein sauberes Tuch mit einem Neutralreiniger anfeuchten und beide Seiten der Seitenteile und die Innenseite der Tür abwischen. Reinigungsrückstände mit einem sauberen feuchten Tuch abwischen.
- 5) In einem geeigneten Behälter entweder 3 l Wasser mit 11 ml einer 5,25%igen Natriumhypochloritlösung mischen oder den empfohlenen Hoshizaki-Desinfizierer wie beschrieben verwenden.
- 6) Einen sauberen Schwamm oder ein Tuch mit der Lösung tränken und die Auskleidung des Vorratsbehälters, die Behältertür, das Seitenteil und den Schaufelhalter abwaschen.



Hinweis: Jede Oberfläche der Türdichtung reinigen, da sie leicht verunreinigt wird. Sie lässt sich zum Reinigen leicht abnehmen.

WICHTIG

Die Türdichtung ist an der Ober- und Unterseite mit einem Magnet ausgestattet. Für Luftdichtigkeit der Tür die Dichtung beim erneuten Anbringen richtig einsetzen.



- 7) Mit der restlichen Lösung kann Zubehör desinfiziert werden.

Hinweis: Nach dem Desinfizieren weder trocken wischen noch spülen, sondern trocknen lassen.

[d] Luftfilter

Siebfilter aus Kunststoff entfernen Schmutz oder Staub aus der Luft und verhindern das Verstopfen des Verflüssigers. Wenn die Filter verstopfen, nimmt die Leistung des Eisbereiters ab. Die Luftfilter mindestens zweimal monatlich herausnehmen und reinigen:

- 1) Luftfilter entfernen.

Hinweis: Keinesfalls mit der Hand in das Maschinenfach fassen.

- 2) Den Luftfilter mit einem Staubsauger reinigen. Falls er sehr verstopft ist, Luftfilter mit warmem Wasser und einem Neutralreiniger auswaschen.
- 3) Den Luftfilter gründlich abspülen und trocknen.

HINWEIS

Nach der Reinigung nicht vergessen, den Luftfilter wieder einzusetzen.

[e] Wasserkreislauf zur Eisherstellung

Wasserreinigung

Reinigen Sie den Wasserkreislauf automatisch oder manuell mit frischem Wasser.

Automatische Wasserreinigung: Die Benutzereinstellung „U.44“ auf eine gewünschte Häufigkeit einstellen (siehe „II. 2. BENUTZEREINSTELLUNGEN“).

Manuelle Wasserreinigung: Die Reinigungstaste drücken, solange etwas anderes als „OFF“ auf der Anzeige angezeigt wird. Der Eisbereiter nimmt nach dem Reinigen des Wasserkreislaufs die Eisbereitung automatisch wieder auf.

Automatische chemische Reinigung

Der Wasserkreislauf wird durch manuelles Einleiten einer Chemikalie wirksam gereinigt.

⚠ VORSICHT

Bei Verwendung von Zitronensäure oder Natriumhypochloritlösung Schutzausrüstung (z. B. Schutzbrille) tragen. Die Lösung kann austreten und in Ihre Augen spritzen. In diesem Fall die Augen mit klarem Wasser ausspülen.

HINWEIS

Wenn die Zitronensäurelösung auf Blechteile tropft, gründlich abwischen, um Rostbildung zu vermeiden.

1) Eine der folgenden Lösungen passend für den vorgesehenen Zweck zubereiten.

Reinigung (Entkalkung): 3,5 Liter 2%ige Zitronensäurelösung

Desinfektion: 3,5 Liter Wasser gemischt mit 13 ml 5,25%iger Natriumhypochloritlösung

2) Die Tür öffnen und alles Eis aus dem Vorratsbehälter entfernen. Prüfen Sie, ob die Trennplatte in der korrekten Position wie abgebildet angebracht ist. Anderenfalls kann die Lösung auf das Eis im Vorratsbehälter spritzen.

3) Die Reinigungstaste 3 Sekunden lang gedrückt halten. Die Anzeige blinkt im aktuellen Modus. Wenn beispielsweise während der Eisbereitung auf der Anzeige „run“ angezeigt wird, beginnt „run“ zu blinken.

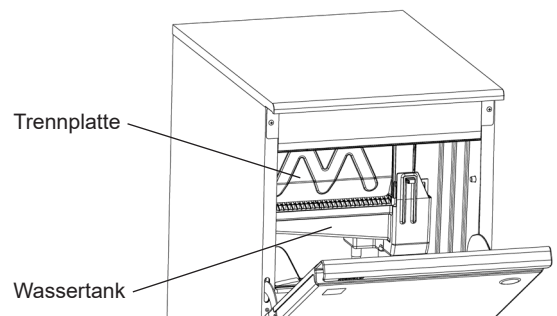
4) Wenn die Anzeige zu „cln“ wechselt, die folgende Menge der Lösung in den Wassertank gießen; dabei darauf achten, dass er nicht überläuft.

KM-40C-HC: 2,0 Liter

KM-60C-HC: 2,5 Liter

KM-80C-HC: 3,0 Liter

KM-140C-HC: 3,5 Liter



5) Die Auskleidung des Vorratsbehälters spülen, um etwaige in den Vorratsbehälter gelangte Lösung zu entfernen. Dann die Tür schließen.

6) Die Reinigungstaste drücken (oder 15 Minuten) warten, um die automatische chemische Reinigung zu starten.

7) Das Gerät kehrt nach Abschluss der Reinigung in den ursprünglichen Zustand zurück.

⚠ WARNUNG

Wenn das nach der automatischen chemischen Reinigung hergestellte Eis merkwürdig schmeckt, stellen Sie den Gebrauch des Eisbereiters sofort ein und lassen Sie das Gerät warten.

Voll automatische chemische Reinigung (*)

* Gilt nur für das Modell mit voll automatischer Reinigung (-W) oder bei Verwendung des Kits für voll automatische Reinigung (Option).

Das Kit für voll automatische Reinigung leitet automatisch eine Chemikalie (1250 ml 40%ige Zitronensäurelösung) ein und entkalt den Wasserkreislauf mit einer gewünschten Häufigkeit. Die notwendigen Einstellungen vornehmen wie beschrieben in „II. 2. BENUTZEREINSTELLUNGEN“.

Weitere Details siehe Bedienungsanleitung des Kits für voll automatische Reinigung ACK.

2. VOR ANRUF DES KUNDENDIENSTES

⚠ WARNUNG

Den Kältekreislauf nicht beschädigen.

Wenn der Eisbereiter nicht richtig oder überhaupt nicht arbeitet, überprüfen Sie folgendes, bevor Sie den Kundendienst rufen:

* Das Gerät ist mit dem Stromnetz verbunden.

* Das Wasser ist eingeschaltet.

* Der Luftfilter ist sauber.

DEUTSCH

Wenn das Problem weiterhin besteht, das Gerät aus- und wieder einschalten und die Reset-Taste drücken.

Wenn das Problem bestehen bleibt, prüfen, ob an der Anzeige der Fehlercode „E“ angezeigt wird oder der Punkt in der Mitte leuchtet, und dann den Hoshizaki-Kundendienst anrufen.

Wenn einer der folgenden Hinweiscodes erscheint, wie unten beschrieben vorgehen.

Code	Beschreibung
n92	Ungewöhnlich hohe Temperatur. Luftfilter säubern. Auf korrekte Installation prüfen, wie beschrieben in „I. 4. AUFSTELLUNGSSORT“.
n93	Chemikalie verbraucht (bei Verwendung des Kits für voll automatische Reinigung (Option)). Den Chemikalienbehälter ersetzen oder auffüllen und mit Benutzereinstellung „U.55“ zurücksetzen (siehe „II. 2. BENUTZEREINSTELLUNGEN“). Zum Ändern der Hinweishäufigkeit Benutzereinstellung „U.49“ verwenden.
n99	Die mit Benutzereinstellung „U.60“ eingestellte Zeit (siehe „II. 2. BENUTZEREINSTELLUNGEN“) ist verstrichen und eine Wartung ist erforderlich. Nach erfolgter Wartung die Reset-Taste drücken.

Wenn Sie weitere Hilfe oder Rat benötigen, wenden Sie sich an Ihren Hoshizaki-Kundendienst.


3. ENTSORGUNG

Die gesetzlichen Bestimmungen zur Entsorgung dieses Gerätes und des enthaltenen Kältemittelgases. Vor dem Verschrotten des Gerätes die Tür abnehmen, um zu vermeiden, dass sich Kinder im Gerät versehentlich einschließen.

Richtige Entsorgung dieses Gerätes:

Dieses Kennzeichen bedeutet, dass dieses Gerät in der EU nicht mit dem normalen Haushaltsmüll entsorgt werden darf. Um Schäden der Umwelt oder der menschlichen Gesundheit durch unkontrollierte Müllbeseitigung zu vermeiden, recyceln Sie das Gerät und fördern Sie damit die nachhaltige Wiederverwertung von stofflichen Ressourcen. Nutzen Sie die Rückgabe- und Sammelsysteme oder wenden Sie sich an den Händler, bei dem Sie das Gerät gekauft haben, um das gebrauchte Gerät zurückzugeben. Dort wird das Gerät der umweltfreundlichen Wiederverwertung zugeführt.



▲ WARNUNG	
 Feuergefahr	Der für das Gehäuse verwendete Isolationsschaum enthält entflammbares Gas Cyclopentan. Dies sollte bei der Entsorgung des Produkts berücksichtigt werden.

4. GARANTIE

Hoshizaki garantiert dem Originalbesitzer/-benutzer, dass alle Markenprodukte von Hoshizaki für die Dauer der „Garantiezeit“ frei von Material- und/oder Verarbeitungsfehlern sind. Die Garantie gilt für zwei Jahre ab Datum der Installation.

Die Haftung von Hoshizaki nach diesen Garantiebedingungen ist begrenzt. Sie schließt Routinewartung und Reinigung sowie Wartungs- und/oder Reparaturarbeiten aus, die durch missbräuchliche Benutzung oder fehlerhafte Installation verursacht worden sind.

Garantiereparaturen sind von einem zugelassenen Hoshizaki-Händler oder -Kundendienst mit Hoshizaki-Originalbauteilen auszuführen.

Für vollständige Informationen zur Gewährleistung und zugelassene Kundendienste wenden Sie sich bitte an Ihren Händler/ Lieferanten oder den nächstgelegenen Hoshizaki-Kundendienst:

Europa, Naher Osten, Afrika

Hoshizaki UK - Vereinigtes Königreich, Irland
TEL: +44 845 456 0585
FAX: +44 132 283 8331
uksales@hoshizaki.uk

Hoshizaki Middle East - Naher Osten
TEL: +971 48 876 612
FAX: +971 48 876 613
sales@hoshizaki.ae

Hoshizaki Deutschland - Deutschland, Schweiz, Österreich,
 Polen, Tschechische Republik, Slowakei
 TEL: +49 5121 697370
 FAX: +49 5121 6973719
 vertrieb@hoshizaki.de

Hoshizaki Benelux - Niederlande, Belgien, Luxemburg
 TEL: +31 85 018 83 70
 info@hoshizaki.nl

Hoshizaki France - Frankreich
 TEL: +33 1 48 63 93 80
 FAX: +33 1 48 63 93 88
 info@hoshizaki.fr

Hoshizaki Italia - Italien
 TEL: +39 344 0616467
 TEL: +39 348 3022156
 info@hoshizaki.it

Hoshizaki Iberia - Spanien, Portugal
 TEL: +34 93 478 09 52
 FAX: +34 93 478 08 00
 info@hoshizaki.es

Hoshizaki Europe B.V. - alle anderen Länder innerhalb
 Europa und Afrika
 TEL: +31 20 6918499
 FAX: +31 20 6918768
 sales@hoshizaki.nl

TECHNISCHE DATEN

Modell	KM-40C-HC	KM-60C-HC	KM-80C-HC	KM-140C-HC
Typ	Luftgekühlt, Halbmondeis	Luftgekühlt, Halbmondeis	Luftgekühlt, Halbmondeis	Luftgekühlt, Halbmondeis
Stromversorgung	1 Phase / 220 - 240 V, 50 Hz	1 Phase / 220 - 240 V, 50 Hz	1 Phase / 220 - 240 V, 50 Hz	1 Phase / 220 - 240 V, 50 Hz
Anschlussleistung	209 W	242 W	299 W	564 W
Eisproduktion in 24 Std.	43 kg (Umgebung 10 °C, Wasser 10 °C)	60 kg (Umgebung 10 °C, Wasser 10 °C)	75 kg (Umgebung 10 °C, Wasser 10 °C)	135 kg (Umgebung 10 °C, Wasser 10 °C)
Abmessungen	452mm (B) x 610mm (T) x 988mm (H)	605mm (B) x 610mm (T) x 988mm (H)	605mm (B) x 712mm (T) x 988mm (H)	630mm (B) x 719mm (T) x 1333mm (H)
Kältemittel	R290, 68 g	R290, 90 g	R290, 147 g	R290, 110 g
Isolierschaum-Treibmittel	FKW-frei	FKW-frei	FKW-frei	FKW-frei
Gewicht	Netto: 39 kg (brutto: 49 kg)	Netto: 45 kg (brutto: 57 kg)	Netto: 50 kg (brutto: 63 kg)	Netto: 69 kg (brutto: 81 kg)
Umgebungstemp	7 - 38 °C	7 - 38 °C	7 - 38 °C	7 - 38 °C
Wasserzufuhrtemp	7 - 32 °C	7 - 32 °C	7 - 32 °C	7 - 32 °C
Wasserzufuhrdruck	0,07 - 0,8 MPa (0,7 - 8 bar)	0,07 - 0,8 MPa (0,7 - 8 bar)	0,07 - 0,8 MPa (0,7 - 8 bar)	0,07 - 0,8 MPa (0,7 - 8 bar)
Versorgungsspannungsbereich	Nennspannung ± 6%	Nennspannung ± 6%	Nennspannung ± 6%	Nennspannung ± 6%

Modell	KM-40C-HC-W	KM-60C-HC-W	KM-80C-HC-W	KM-140C-HC-W
Typ	Luftgekühlt, Halbmondeis, voll automatische Reinigung	Luftgekühlt, Halbmondeis, voll automatische Reinigung	Luftgekühlt, Halbmondeis, voll automatische Reinigung	Luftgekühlt, Halbmondeis, voll automatische Reinigung
Stromversorgung	1 Phase / 220 - 240 V, 50 Hz	1 Phase / 220 - 240 V, 50 Hz	1 Phase / 220 - 240 V, 50 Hz	1 Phase / 220 - 240 V, 50 Hz
Anschlussleistung	209 W	242 W	299 W	564 W
Eisproduktion in 24 Std.	43 kg (Umgebung 10 °C, Wasser 10 °C)	60 kg (Umgebung 10 °C, Wasser 10 °C)	75 kg (Umgebung 10 °C, Wasser 10 °C)	135 kg (Umgebung 10 °C, Wasser 10 °C)
Abmessungen	452mm (B) x 610mm (T) x 988mm (H)	605mm (B) x 610mm (T) x 988mm (H)	605mm (B) x 712mm (T) x 988mm (H)	630mm (B) x 719mm (T) x 1333mm (H)
Kältemittel	R290, 68 g	R290, 90 g	R290, 147 g	R290, 110 g
Isolierschaum-Treibmittel	FKW-frei	FKW-frei	FKW-frei	FKW-frei
Gewicht	Netto: 41 kg (brutto: 51 kg)	Netto: 47 kg (brutto: 59 kg)	Netto: 52 kg (brutto: 65 kg)	Netto: 71 kg (brutto: 83 kg)
Umgebungstemp	7 - 38 °C	7 - 38 °C	7 - 38 °C	7 - 38 °C
Wasserzufuhrtemp	7 - 32 °C	7 - 32 °C	7 - 32 °C	7 - 32 °C
Wasserzufuhrdruck	0,07 - 0,8 MPa (0,7 - 8 bar)	0,07 - 0,8 MPa (0,7 - 8 bar)	0,07 - 0,8 MPa (0,7 - 8 bar)	0,07 - 0,8 MPa (0,7 - 8 bar)
Versorgungsspannungsbereich	Nennspannung ± 6%	Nennspannung ± 6%	Nennspannung ± 6%	Nennspannung ± 6%

NEDERLANDS

BELANGRIJKE VEILIGHEIDSINFORMATIE

Overal in deze handleiding treft u opmerkingen aan die uw aandacht willen vestigen op situaties die zouden kunnen resulteren in overlijden, ernstig letsel of schade aan de machine.

▲WAARSCHUWING	Geeft een gevaarlijke situatie aan die, als deze niet wordt vermeden, zou kunnen resulteren in overlijden of ernstig letsel.
▲VOORZICHTIG	Geeft een gevaarlijke situatie aan die, als deze niet wordt vermeden, zou kunnen resulteren in licht of middelzwaar letsel.
LET OP	Geeft een gevaarlijke situatie aan die, als deze niet wordt vermeden, zou kunnen resulteren in schade aan de machine.
▲HYGIËNE	Geeft belangrijke voorzorgsmaatregelen aan met betrekking tot de hygiëne en voedselveiligheid.
BELANGRIJK	Geeft belangrijke informatie aan over het gebruik en de verzorging van de machine.

Deze ijsmachine gebruikt een HFC-vrij koelmiddel (propan) dat niet schadelijk is voor de ozonlaag, duurzaam is en een zeer beperkt aardopwarmingsvermogen heeft.

▲WAARSCHUWING
Het koelsysteem van deze ijsmachine bevat een ontvlambaar koelmiddel; installatie, gebruik, onderhoud en verwijdering mogen daarom uitsluitend worden uitgevoerd door erkende technici.
Het koelmiddel in deze ijsmachine is ontvlambaar en verzegeld in het koelsysteem. Hoewel het koelmiddel onder normale omstandigheden niet lekt, dient u de ijsmachine met de grootst mogelijke zorg te behandelen om te voorkomen dat u het systeem beschadigt.
In het geval van onopzettelijke schade aan het koelsysteem waardoor koelmiddel wegloopt: * Creëer geen ontstekingsbron in de buurt. * Bedien geen elektrische schakelaars of stopcontacten in de buurt. * Gebruik geen naakte vlam. * Ventileer de ruimte direct door het openen van deuren en/of ramen. * Bel een servicetechnicus.

BELANGRIJK
Dit boekje vormt een integraal en essentieel onderdeel van het product en moet goed worden bewaard door de gebruiker.
Lees de richtlijnen en waarschuwingen in dit boekje zorgvuldig door, aangezien deze zijn bedoeld om de installateur/gebruiker te voorzien van essentiële informatie voor een correcte installatie, alsmede voor een veilig gebruik en onderhoud van het product op de lange termijn.
Bewaar dit boekje zodat u het later, indien nodig, opnieuw kunt raadplegen.

⚠ WAARSCHUWING

Dit is een ijsmachine voor commerciële doeleinden en dit apparaat dient uitsluitend te worden gebruikt voor de toepassingen waarvoor het is ontworpen.

Enige andere vorm van gebruik wordt als ongeschikt en dus gevaarlijk beschouwd. De fabrikant kan niet aansprakelijk of verantwoordelijk worden gesteld voor enige schade die ontstaat door ongeschikt, incorrect en onredelijk gebruik.

De installatie en eventuele verplaatsing van de ijsdispenser mag uitsluitend door gekwalificeerd personeel en overeenkomstig de plaatselijk geldende voorschriften worden uitgevoerd, waarbij de instructies van de fabrikant dienen te worden gevolgd.

Houd ventilatieopeningen, zowel in de behuizing van de machine als in de inbouwstructuur, vrij van obstakels.

Gebruik geen mechanische apparaten of andere methoden om het ontdooiproces te versnellen dan de methoden die door de fabrikant worden aanbevolen.

Bij het gebruik van elektrische apparaten moeten bepaalde regels in acht worden genomen. In het bijzonder:

- * Vocht en hoge luchtvochtigheid verhogen de kans op kortsluiting en elektrische schokken. Trek de stekker van de ijsmachine uit het stopcontact als u niet zeker bent van de condities in de ruimte waar de ijsmachine is geplaatst.
- * Voorkom beschadiging van de voedingskabel en trek uitsluitend aan de stekker en niet aan de voedingskabel zelf als u de ijsmachine van de netvoeding wilt loskoppelen.
- * Als de voedingskabel beschadigd is, moet deze worden vervangen door een vervangende kabel die verkrijgbaar is bij de onderdelen- en servicecentra van Hoshizaki.
- * Raak de elektrische onderdelen of de schakelaars niet met vochtige handen aan.
- * Dit apparaat is niet bedoeld om te worden gebruikt door personen (waaronder kinderen) met een verminderde lichamelijke, zintuiglijke of mentale capaciteit of een gebrek aan ervaring en kennis. Het kan echter wel worden gebruikt door kinderen vanaf 8 jaar en door personen met een verminderde lichamelijke, zintuiglijke of mentale capaciteit of een gebrek aan ervaring en kennis, mits zij onder toezicht staan van een persoon die verantwoordelijk is voor hun veiligheid of deze persoon hen instrueert hoe het apparaat te gebruiken.
- * Kinderen mogen niet met het apparaat spelen.
- * Reiniging en gebruikersonderhoud mag niet zonder toezicht door kinderen worden uitgevoerd.
- * Probeer niet de ijsmachine aan te passen. Alleen bevoegd personeel mag het apparaat demonteren of repareren.

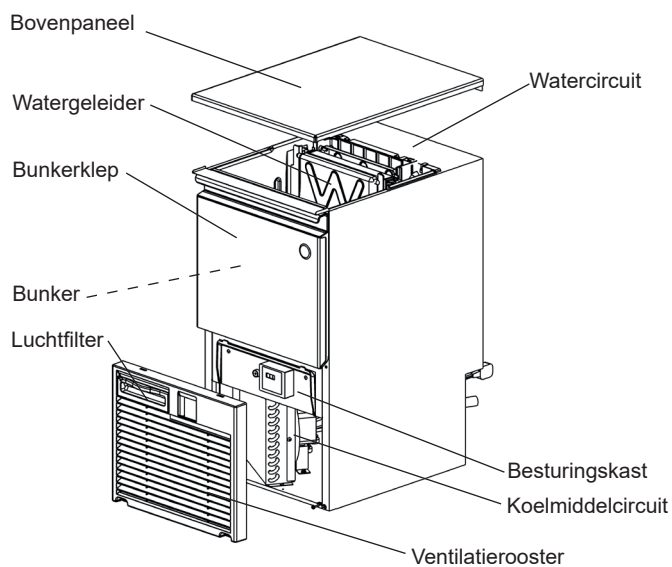
Zorg er bij het plaatsen van het apparaat voor dat het snoer niet bekneld of beschadigd raakt.

Plaats geen draagbare stopcontacten of draagbare stroomvoorzieningen aan de achterkant van het apparaat.

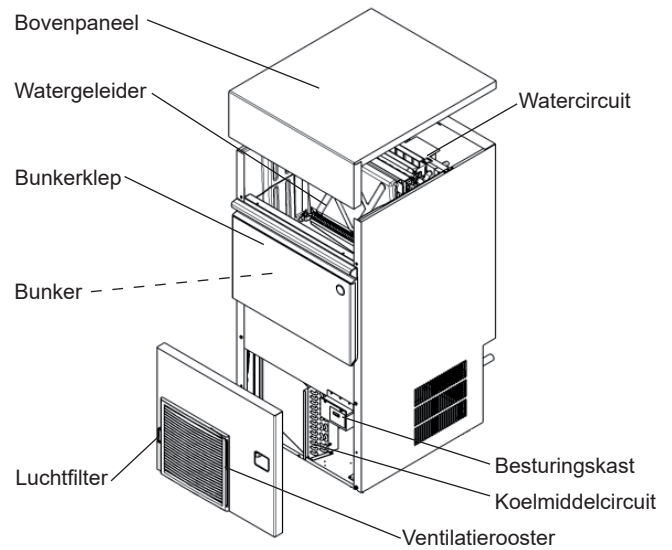
NEDERLANDS

I. INSTALLATIE-INSTRUCTIES

1. CONSTRUCTIE



KM-40/60/80C-HC



KM-140C-HC

2. ACCESSOIRES

	KM-40C-HC KM-60C-HC KM-80C-HC	KM-140C-HC	KM-40C-HC-W KM-60C-HC-W KM-80C-HC-W	KM-140C-HC-W
Instructiehandleiding	1	1	1	1
Ijsschep	1	1	1	1
Stelvoetje	4	4	4	4
Stroomsnoer (Continental Europa)	1	1	1	1
Stroomsnoer (VK)	1	1	1	1
Pankopschroef met afdichtring (M4 x 30) (bevestiging ventilatioerooster)	2	-	-	-
Duimschroef (bevestiging ventilatioerooster)	-	-	2	1
Blok (M4) (bevestiging ventilatioerooster)	-	-	2	-
Reinigingsreservoir	-	-	1	1



3. UITPAKKEN

⚠ WAARSCHUWING

Kinderen moeten buiten het bereik van het verpakkingsmateriaal (plastic zakken en geëxpandeerd polystyreen) worden gehouden aangezien dit mogelijke bronnen van gevaar zijn.

⚠ VOORZICHTIG

Til de doos niet op en verplaats deze niet met behulp van de transportbanden.

Wanneer u het apparaat handmatig verplaatst, dient u het ventilatioerooster te verwijderen en de onderkant van de ijsmachine vast te houden. Houd het apparaat niet aan het bovenpaneel of de bunkerklep vast. Deze kunnen mogelijk losraken en letsel veroorzaken.

Draag altijd beschermende handschoenen bij het dragen van de machine.

Werk met zijn tweeën bij het verplaatsen van de doos of de uitgepakte machine om letsel te voorkomen.

LET OP

Verwijder kartonnen doos, tape en ander verpakkingsmateriaal. Als er verpakkingsmateriaal achterblijft in de ijsmachine, werkt deze niet goed.

- 1) Controleer nadat u de verpakking hebt verwijderd of de ijsmachine in goede staat verkeert. Gebruik de ijsmachine niet in geval van twijfel, maar raadpleeg bevoegd servicepersoneel.
- 2) Verwijder de transporttape waarmee de bunkerklep en de watergeleider zijn vastgezet.
- 3) Verwijder de beschermende folie van de buitenkant van de machine. Als de ijsmachine is blootgesteld aan de zon of aan hitte, verwijderd u de folie nadat de ijsmachine is afgekoeld.
- 4) Verwijder het pakket met de accessoires. Controleer de inhoud aan de hand van "2. ACCESSOIRES".

4. LOCATIE

⚠ WAARSCHUWING

Deze ijsmachine is niet bestemd voor gebruik buitenshuis.

De ijsmachine mag niet naast een oven, grill of andere apparatuur die veel warmte afgeeft worden geplaatst.

Deze machine is niet geschikt om in een ruimte te worden geïnstalleerd die met een waterstraal wordt schoongespoten.

⚠ VOORZICHTIG

De ijsmachine moet waterpas op een stevige ondergrond worden geplaatst.

LET OP

Plaats geen andere apparaten of voorwerpen bovenop de ijsmachine of voor de ventilatieopening.

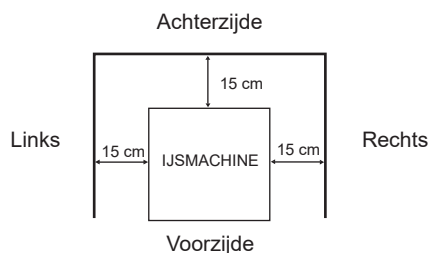
BELANGRIJK

De omgevingstemperatuur moet tussen 7 °C en 38 °C liggen en de watertemperatuur tussen 7 °C en 32 °C. Langdurig gebruik van de ijsmachine buiten de genoemde temperatuurwaarden kan de productiecapaciteit nadelig beïnvloeden.

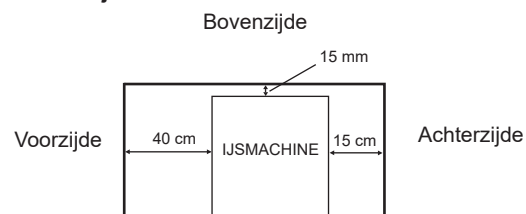
Houd aan de bovenkant de vrije ruimte aan die hieronder staat vermeld. Dit zorgt voor een optimale luchtcirculatie en vergemakkelijkt onderhouds- en/of reparatiewerkzaamheden.

[KM-40/60/80C-HC(-W)]

Bovenaanzicht

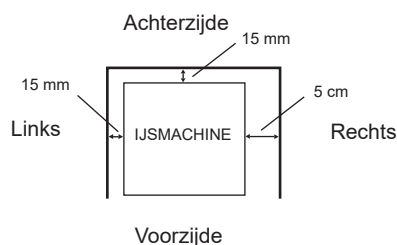


Zijaanzicht

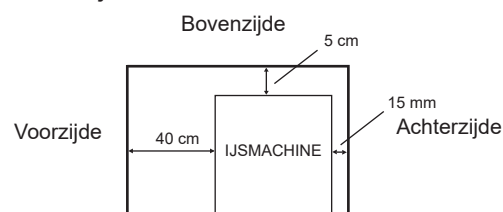


[KM-140C-HC(-W)]

Bovenaanzicht



Zijaanzicht



In sommige zeer vochtige omgevingen kan condensvorming optreden in de machine die vervolgens op de vloer druipt. Installeer de ijsmachine niet in een ruimte waar de vloer kan worden aangetast door water.

Vorkom langdurige blootstelling van de machine aan direct zonlicht.

5. INSTALLATIE

⚠ VOORZICHTIG

Onjuiste installatie van de ijsmachine kan schade toebrengen aan mens, dier en omgeving. De fabrikant aanvaardt geen aansprakelijkheid voor schade en/of letsel ten gevolge van het onjuist installeren van de machine.

- * Plaats de ijsmachine op een permanente locatie.
- * Het apparaat moet zodanig worden opgesteld dat de stekker bereikbaar is.
- * Zet de ijsmachine waterpas, zowel van links naar rechts als van voren naar achteren, door de stand van de stelvoetjes aan te passen.

6. ELEKTRISCHE AANSLUITINGEN

⚠ WAARSCHUWING

DEZE MACHINE MOET WORDEN GEAARD

Deze ijsmachine moet worden geaard volgens de geldende voorschriften.

Ter voorkoming van ernstig persoonlijk letsel en materiële schade als gevolg van elektrische schokken, dient deze ijsmachine te worden voorzien van een correct aangebrachte aardleiding.

Verwijder de stekker uit het stopcontact voordat u onderhouds-, reparatie- of reinigingswerkzaamheden gaat uitvoeren.

- * Deze machine vereist een aparte voeding van 220 - 240 V wisselstroom, 10A. Het stopcontact moet worden beschermd door een geschikte stroomonderbreker.
- * De hoofdzekering van de besturingskast heeft een nominale waarde van 5 A en mag alleen worden vervangen door een erkende onderhoudsmonteur.
- * Normaal gesproken dient men te beschikken over de juiste vergunningen en/of de hulp in te roepen van een erkende elektricien.

Alleen voor het Verenigd Koninkrijk en Ierland

- * De draden van de netvoeding hebben een kleurcode:

Groen/geel = aarde

Blauw = neutraal

Bruin = stroomvoerend

Als de gekleurde draden in de voedingskabel van deze machine zijn aangesloten op stekkerpolen met een afwijkende kleur, dient u het volgende te doen:

Sluit de groen/gele draad in de stekker aan op de groen/gele of groene stekkerpool of anders op de stekkerpool die is aangeduid met de letter E of het symbool \perp . Sluit de blauwe draad aan op de zwarte stekkerpool of op de stekkerpool die is aangeduid met de letter N. Sluit de bruine draad aan op de rode stekkerpool of op de stekkerpool die is aangeduid met de letter L.

- * Als het stopcontact waarop u de ijsmachine wilt aansluiten niet geschikt is voor de stekker die aan de voedingskabel van de ijsmachine zit, dient de stekker te worden verwijderd (een gegoten stekker wordt afgesneden) en vervangen door een geschikte stekker.

De gegoten stekker die van de voedingskabel is afgesneden, moet worden weggegooid. Hij mag niet opnieuw worden gebruikt. Wanneer deze stekker elders in een stopcontact wordt gestoken, zorgt dit voor een groot risico van elektrische schokken.

- * De gegoten stekker mag uitsluitend in combinatie met een zekeringhouder worden gebruikt.

Het referentienummer van de fabrikant is in de stekker ingeslagen. In geval u de zekeringhouder vervangt, dient een vervangend exemplaar van hetzelfde type te worden gebruikt.

Zekeringhouders zijn te verkrijgen via de onderdelen- en servicecentra van Hoshizaki.

Gebruik zekeringen van 10 A die zijn goedgekeurd volgens BS 1362.

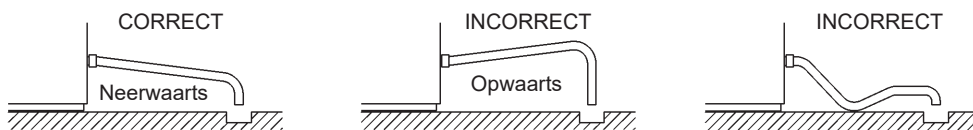
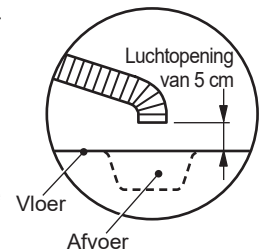
7. AANSLUITING VAN WATERTOEOVOER- EN WATERAFVOERLEIDINGEN

⚠ WAARSCHUWING



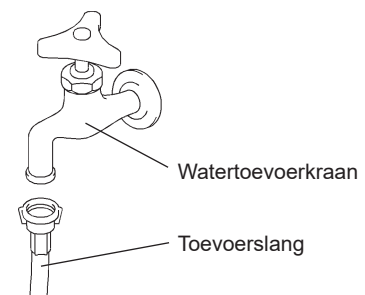
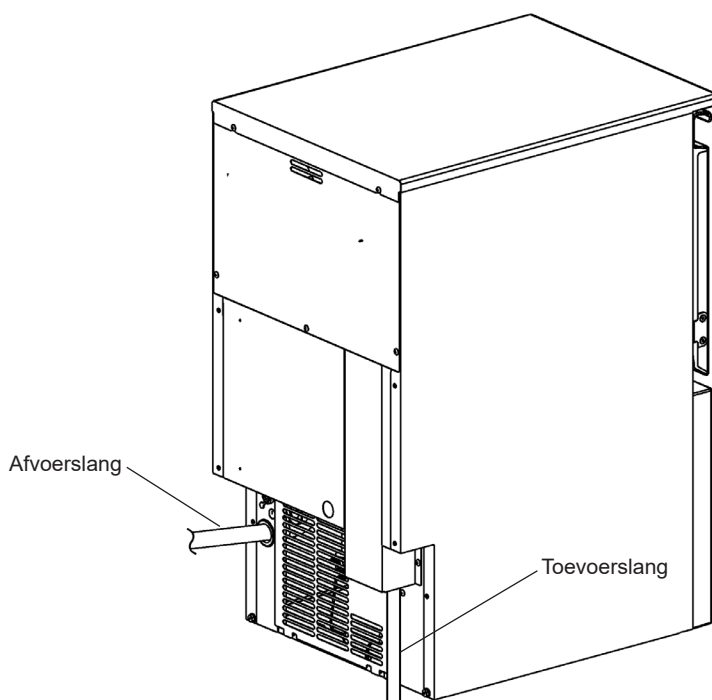
Mag alleen worden aangesloten op een drinkwaterleiding voor koud water.

- * De aansluitingen op de drinkwaterleiding moeten worden uitgevoerd in overeenstemming met de huidige vereisten van het land in de regelgeving met betrekking tot watertoevoer of -accessoires.
- * Het water om ijs mee te maken moet drinkwater zijn. Wanneer door de waterkwaliteit verkalking kan worden veroorzaakt, wordt aanbevolen een extern filter of waterontharder te gebruiken. Neem contact op met uw plaatselijke waterbehandelingspecialist of Hoshizaki-servicebedrijf.
- * De watertoevoerdruk moet ten minste 0,07 MPa (0,7 bar) bedragen en mag niet hoger dan 0,8 MPa (8 bar) zijn. Als de waterdruk hoger is dan 0,8 MPa (8 bar), moet gebruik worden gemaakt van een reduceerventiel. De watertoevoerkraan mag voor dit doel **NIET** gedeeltelijk worden dichtgedraaid.
- * In sommige gebieden kan een loodgietersvergunning of het inschakelen van een erkende loodgieter verplicht zijn.
- * De waterafvoer van de ijsmachine stroomt onder natuurlijk verval, dus zorg ervoor dat de afvoerslang voldoende verval heeft.
- * Afvoerleidingen mogen niet rechtstreeks op de riolering worden aangesloten. Houd een verticale luchtopening van minimaal 5 cm aan tussen het uiteinde van de afvoerslangen van de ijsmachine en de vloerafvoer.
- * Om terugstromen van afvoerwater naar de bunker te voorkomen, moet de afvoerslang worden geplaatst zoals afgebeeld.



1) Bevestig het vrije uiteinde van de toevoerslang aan de watertoevoerkraan. Let er hierbij op dat de afdichtring correct is geplaatst. Voorkom lekkage door de aansluiting handvast aan te draaien. Het verdient aanbeveling een afsluitkraan te monteren op een goed bereikbare plek.

2) De afvoerslang kan zo nodig op lengte worden gesneden voor een passende aansluiting op de hoofdafvoer.



II. BEDIENINGSINSTRUCTIES

LET OP

Alle onderdelen zijn in de fabriek afgesteld. Onjuiste aanpassingen kunnen leiden tot storingen.

Om schade aan de compressor te voorkomen, dient u minstens 3 minuten te wachten met het opnieuw inschakelen van de ijsmachine nadat deze is uitgeschakeld.

▲HYGIËNE

Deze ijsmachine is bestemd voor de productie van consumptie-ijs. Neem de volgende punten in acht om de ijsmachine schoon te houden:

- * Was uw handen voordat u ijs uit de bunker schept. Gebruik de meegeleverde kunststof schep (toebehoren).
- * De bunker is uitsluitend bestemd voor de opslag van ijs. Bewaar geen andere zaken in de bunker en gebruik geen elektrische apparaten in de bunker.
- * Maak voor ingebruikname van de ijsmachine eerst de bunker schoon (zie "III. 1. REINIGING").
- * Houd de schep schoon. Gebruik voor het reinigen een neutraal reinigingsmiddel en spoel grondig na.
- * Sluit de bunkerklep onmiddellijk nadat u ijs heeft geschept om te voorkomen dat stof, vuil of insecten in de bunker terechtkomen.

Bedieningspaneel

[1] Display

run: bezig met ijs maken
oFF: uitgeschakeld
FUL: bunker vol
cln: bezig met reinigen

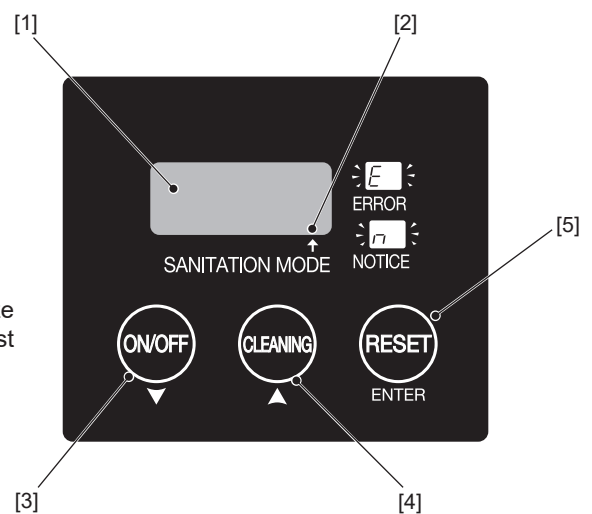
[2] Stip

Off: normale modus
On: ontsmettingsmodus (*)
* Als de ijsmachine 4 uur aaneengesloten niet is gebruikt, wordt deze automatisch gereinigd en wordt het water in het watercircuit verversd om bacteriegroei te voorkomen en hygiëne te garanderen.

[3] Aan/uit-knop / Omlaag-knop

[4] Reinigingsknop / Omhoog-knop

[5] Resetknop / Enterknop



1. OPSTARTEN

Gewoonlijk wordt de ijsmachine door de installateur in gebruik genomen, waarbij de automatische ijsproductie wordt gestart. Controleer het volgende om een continue werking te waarborgen:

- * De watertoevoer kraan moet openstaan
- * De ijsmachine moet zijn aangesloten op de voeding en
- * Op het display wordt "run" weergegeven.

2. GEBRUIKERSINSTELLINGEN

De onderstaande instellingen kunnen door de gebruiker worden aangepast.

- 1) Houd de RESET-knop gedurende 3 seconden ingedrukt om de instellingsmodus te activeren. Een van de instellingscodes wordt weergegeven op het display.
- 2) Houd de omhoog-knop of omlaag-knop ingedrukt tot de gewenste instellingscode op het display wordt weergegeven. Druk vervolgens op de ENTER-knop.
- 3) Gebruik de omhoog-knop of omlaag-knop om de instelling aan te passen. Druk vervolgens op de ENTER-knop.
- 4) Houd na het wijzigen van de instellingen de omhoog-knop of omlaag-knop ingedrukt tot "END" wordt weergegeven op het display. Druk vervolgens op de ENTER-knop om de instellingsmodus te sluiten.

Code	Item	Omschrijving	Standaard
U.04	Afvoerfrequentie	0: Geen afvoer 1: Na 1 cyclus 2: Na 2 cycli 5: Na 5 cycli 10: Na 10 cycli 20: Na 20 cycli	10: Na 10 cycli
U.44	Frequentie van automatische waterverversing	0: Geen automatische waterverversing 5: Na 5 cycli 10: Na 10 cycli 15: Na 15 cycli 20: Na 20 cycli 40: Na 40 cycli 60: Na 60 cycli	20: Na 20 cycli
U.49	Aantal doses reinigingsmiddel (*)	Nadat het opgegeven aantal doses reinigingsmiddel is toegevoerd, verschijnt meldingscode "n93" om aan te geven dat het middel op is.	KM-40: 15 keer KM-60: 13 keer KM-80: 12 keer KM-140: 16 keer
U.50	Frequentie van volautomatische chemische reiniging (*)	Start het volautomatische chemische reinigingsproces volgens de frequentie die is ingesteld. Instelbaar van elke 400 tot 1.000 cycli (in stappen van 100 cycli). Bijv: 40 = 400 cycli	–
U.51	UV-LED gebruikstijd (**)	Gebruikstijd UV-LED volgens ingestelde tijdsduur. Geen of instelbaar van 10 tot 30 minuten (in stappen van 1 minuut)	–
U.52	UV-LED gebruiksfrequentie (**)	Gebruikstijd UV-LED in bevroeringscyclus na verloop van ingestelde tijdsduur. Instelbaar van 30 tot 300 minuten (in stappen van 10 minuten)	120 minuten
U.53	Bedieningsmodus	nor: normale modus cln: ontsmettingsmodus (Na 4 uur onafgebroken inactiviteit, wordt het watercircuit automatisch gereinigd en het water verversst om bacteriegroei te voorkomen.)	nor: normale modus
U.54	Volautomatische chemische reinigingsmodus (*)	Als "cln" (ontsmettingsmodus) is geselecteerd, wordt één volautomatische chemische reinigingscyclus uitgevoerd met de volautomatische reinigingskit (optie) ongeacht de frequentie die bij U.50 is ingesteld.	–
U.55	Aantal doses reinigingsmiddel resetten (*)	Reset-meldingscode "n93" (reinigingsmiddel op) en aantal doses reinigingsmiddel.	–
U.56	Reset instellingen	Alle gebruikersinstellingen naar standaardwaarden resetten.	–
U.58	Geforceerd uitschakelen	Apparaat onder alle omstandigheden uitschakelen.	–
U.59	Geforceerd afvoeren	Apparaat onder alle omstandigheden uitschakelen en water aftappen.	–
U.60	Melding (bijvoorbeeld onderhoud)	Meldingscode "n99" verschijnt na verloop van ingestelde tijdsduur. Instelbaar van 0 (geen) tot 6.000 uur (in stappen van 100 uur)	0: Geen
U.68	Reset melding	Reset teller voor melding U.60.	–

* Alleen van toepassing op het volautomatische reinigingsmodel (-W) of wanneer de volautomatische reinigingskit (optie) wordt gebruikt.

** Alleen van toepassing wanneer de UV-LED (optie) wordt gebruikt.

3. DE IJSMAKER GEREEDMAKEN VOOR LANGDURIGE OPSLAG

LET OP

Deze ijsmachine werkt niet bij temperaturen onder het vriespunt. Voorkom schade aan de watertoevoerleiding door het water uit het systeem af te tappen zodra de luchttemperatuur onder 0 °C daalt.

▲HYGIËNE

Als de ijsmachine twee dagen of langer wordt uitgeschakeld, tapt u het water af uit de ijsmachine om verontreiniging in het watercircuit te voorkomen.

NEDERLANDS

- 1) Druk op de ON/OFF-knop. Op het display wordt "oFF" weergegeven.
- 2) Houd de RESET-knop gedurende 3 seconden ingedrukt om de instellingsmodus te activeren.
- 3) Stel de gebruikersinstelling "U.59" in op "1" om het water uit de ijsmachine af te tappen.
- 4) Haal de stekker van de ijsmachine uit het stopcontact of sluit de stroomtoevoer af.
- 5) Draai de watertoevoer kraan dicht en verwijder de toevoerslang.
- 6) Verwijder alle ijs uit de bunker en maak de bunker schoon.
- 7) Voer een chemische reiniging van het watercircuit uit volgens "III. 1. [e] Watersysteem voor het maken van ijs".
- 8) Alvorens de ijsmachine weer in gebruik te nemen, reinigt u het watercircuit nogmaals met vers water of een chemische oplossing volgens "III. 1. [e] Watersysteem voor het maken van ijs".

III. ONDERHOUD

1. REINIGING

⚠ WAARSCHUWING

Haal de stekker van de ijsmachine uit het stopcontact voordat u met schoonmaak- of onderhoudswerkzaamheden begint.

Deze machine mag niet worden gereinigd met behulp van een waterstraal of hogedrukreiniger.

⚠ VOORZICHTIG

Bij gebruik van een neutraal schoonmaakmiddel of natriumhypochloriet leest u de meegeleverde instructies zorgvuldig door totdat u deze begrijpt om mogelijke gezondheidsproblemen te voorkomen.

LET OP

Het watersysteem van de ijsmachine moet minstens tweemaal per jaar worden gereinigd en gezuiverd door een professioneel onderhoudsmonteur. Daarnaast moet de condensor minstens eenmaal per jaar worden gecontroleerd en gereinigd.

Voorkom mogelijke schade door de kunststof onderdelen niet met water warmer dan 40 °C of in een afwasmachine te reinigen.

Gebruik geen alcohol voor het reinigen/zuiveren van de ijsmachine. Dit kan tot scheurtjes in de kunststof onderdelen leiden.

⚠ HYGIËNE

Maak de reinigings- en ontsmettingsoplossing vlak voor gebruik aan om een optimale werking en hygiëne te garanderen.

[a] Machine en buitenkant bunker

Reinig de buitenkant van de ijsmachine minstens eenmaal per week met een schone, zachte doek. Gebruik een vochtige doek met wat neutraal reinigingsmiddel voor het verwijderen van vet en vuil.

[b] Reiniging/ontsmetting van ijsschep en handgreep van ijsbunker (dagelijks)

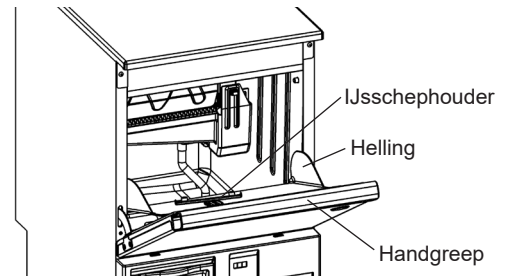
- 1) Meng 3 liter water met 11 ml 5,25% natriumhypochloriet of gebruik een door Hoshizaki aanbevolen ontsmettingsmiddel.
- 2) Week het schepje gedurende meer dan 3 minuten in de oplossing. Spoel het schepje zorgvuldig af met water en schud om overtollig water te verwijderen.

Opmerking: door het gebruik van een doek kan het schepje opnieuw vuil worden.

- 3) Gebruik een neutraal schoonmaakmiddel voor de handgreep van de ijsbunker. Spoel de onderdelen zorgvuldig af.
- 4) Dompel een schone doek in de ontsmettingsoplossing en veeg de handgreep schoon. Gebruik schoon water om na te spoelen en droog de handgreep met een schone doek.

[c] Reiniging/ontsmetting van binnenzijde bunker (wekelijks)

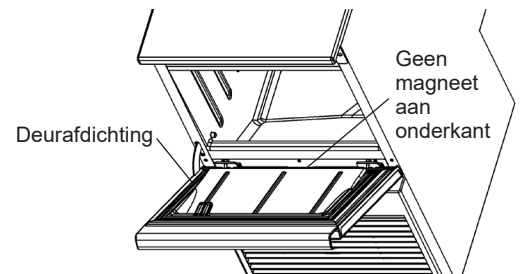
- 1) Open de bunkerklep en verwijder al het ijs uit de bunker.
- 2) Verwijder de ijsschephouder.
- 3) Reinig de binnenzijde van de bunker en de ijsschephouder met een neutraal, niet-schurend reinigingsmiddel. Spoel de onderdelen zorgvuldig af.
- 4) Dompel een schone doek in het neutrale schoonmaakmiddel en maak de binnenkant van de bunkerklep en beide kanten van de zijkleppen schoon. Veeg het reinigingsmiddel af met een schone, vochtige doek.
- 5) Meng 3 liter water met 11 ml 5,25% natriumhypochloriet of gebruik een door Hoshizaki aanbevolen ontsmettingsmiddel.
- 6) Dompel een schone spons of doek in de oplossing en veeg de binnenzijde van de bunker, de bunkerklep, helling en ijsschephouder schoon.



Opmerking: Reinig zorgvuldig alle oppervlakken van de deurafdichting. Hier blijven gemakkelijk vuilresten op achter. De afdichting is eenvoudig te verwijderen om schoon te maken.

BELANGRIJK

De deurafdichting is aan de bovenkant en aan beide zijanten voorzien van een magneet. Bevestig de afdichting weer goed op zijn plek, zodat de deur luchtdicht sluit.



- 7) De resterende oplossing kan worden gebruikt voor het ontsmetten van gebruiksvoorwerpen.

Opmerking: veeg of spoel voorwerpen niet af nadat u ze hebt ontsmet, maar laat ze drogen in de lucht.

[d] Luchtfilter

Kunststof luchtfilters halen vuil en stof uit de lucht en voorkomen dat de condensor verstopt raakt. Als de filters verstopt raken, gaat de ijsmachine minder goed werken. Het luchtfilter of de luchtfilters moeten minstens tweemaal per maand worden verwijderd en gereinigd:

- 1) Verwijder het luchtfilter.

Opmerking: steek uw handen nooit in het inwendige van de machine.

- 2) Reinig het luchtfilter met een stofzuiger. Gebruik bij ernstige vervuiling warm water en een neutraal schoonmaakmiddel om het luchtfilter schoon te maken.
- 3) Spoel het luchtfilter schoon en droog het zorgvuldig af.

LET OP

Plaats het luchtfilter na reiniging weer terug.

[e] Watersysteem voor het maken van ijs

Waterverversing

Reinig het watercircuit handmatig of automatisch met vers water.

Automatische waterverversing: Stel de gebruikersinstelling "U.44" in op de gewenste frequentie (zie "II. 2. GEBRUIKERSINSTELLINGEN").

Handmatige waterverversing: Druk op de CLEANING-knop, tenzij "oFF" wordt weergegeven op het display. Nadat het watercircuit gereinigd is, wordt het ijsmaakproces automatisch hervat.

Automatische chemische reiniging

Reinig het watercircuit door handmatig een reinigingsmiddel toe te voegen.

NEDERLANDS

⚠ VOORZICHTIG

Draag een beschermbril en eventuele andere bescherming wanneer u de citroenzuur- of natriumhypochlorietoplossing gebruikt. De oplossing kan er mogelijk uitspuiten en in uw ogen komen. Reinig uw ogen in dat geval met schoon water.

LET OP

Morst u citroenzuuroplossing op metalen onderdelen, wrijf deze dan grondig droog om roest te voorkomen.

1) Maak een van de volgende oplossingen voor het doel dat u beoogt.

Reinigen (ontkalken): 3,5 liter 2% citroenzuuroplossing

Ontsmetten: 3,5 liter water met 13 ml 5,25% natriumhypochlorietoplossing

2) Open de klep en verwijder alle ijs uit de bunker. Controleer of de watergeleider op de juiste manier is bevestigd (zie afbeelding). Anders kan de oplossing op het ijs in de bunker spatten.

3) Houd de CLEANING-knop 3 seconden ingedrukt. De huidige modus wordt knipperend op het display weergegeven. Tijdens het ijsmaakproces begint bijvoorbeeld het woord "run" te knipperen op het display.

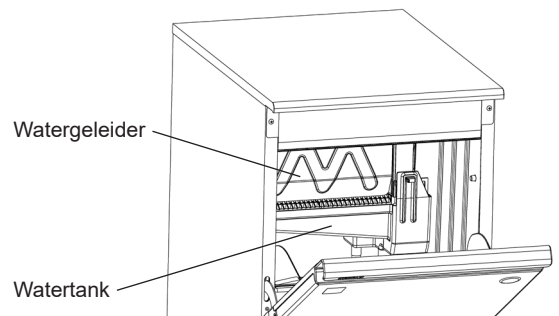
4) Zodra "cln" wordt weergegeven op het display giet u de volgende hoeveelheid oplossing in de watertank. Zorg er daarbij voor dat de tank niet overstroomt.

KM-40C-HC: 2,0 liter

KM-60C-HC: 2,5 liter

KM-80C-HC: 3,0 liter

KM-140C-HC: 3,5 liter



5) Spoel de binnenzijde van de bunker met schoon water schoon om eventuele gemorste oplossing te verwijderen. Sluit vervolgens de klep.

6) Druk op de CLEANING-knop (of wacht 15 minuten) om het automatische chemische reinigingsproces te starten.

7) Nadat het reinigingsproces is voltooid keert de machine terug naar de oorspronkelijke toestand.

⚠ WAARSCHUWING

Indien het ijs na het uitvoeren van de automatische chemische reiniging een vreemde smaak heeft, staakt u direct het gebruik van de machine en neemt u contact op met een servicedealer.

Volautomatische chemische reiniging (*)

* Alleen van toepassing op het volautomatische reinigingsmodel (-W) of wanneer de volautomatische reinigingskit (optie) wordt gebruikt.

De volautomatische reinigingskit voert automatisch een reinigingsmiddel (1.250 ml 40% citroenzuuroplossing) toe en ontkalkt het watercircuit volgens de opgegeven frequentie. Geef de benodigde instellingen op volgens "II. 2. GEBRUIKERSINSTELLINGEN". Raadpleeg de instructiehandleiding van de volautomatische reinigingskit ACK voor meer informatie.

2. VOORDAT U BELT VOOR SERVICE

⚠ WAARSCHUWING

Beschadig het koelmiddelcircuit niet.

Als de ijsmachine niet goed of helemaal niet werkt, controleert u het volgende voordat u een servicemedewerker inschakelt:

* De machine heeft stroom.

* De watertoevoer is ingeschakeld.

* Het luchtfilter is schoon.

Als het probleem zich blijft voordoen, schakelt u de machine uit en weer aan en drukt u vervolgens op de RESET-knop.

Is het probleem daarmee nog niet opgelost, controleer dan of de foutcode "E" wordt weergegeven op het display of de stip in het midden verlicht is en neem contact op met uw lokale Hoshizaki-servicebedrijf.

Als een van de onderstaande meldingscodes verschijnt, volgt u de onderstaande instructies.

Code	Omschrijving
n92	Abnormaal hoge temperatuur. Reinig luchtfilter. Controleer de juiste installatie aan de hand van "I. 4. LOCATIE".
n93	Reinigingsmiddel op (wanneer volautomatische reinigingskit (optie) wordt gebruikt). Vervang het reinigingsreservoir of vul het bij en voer een reset uit met gebruikersinstelling "U.55" (zie "II. 2. GEBRUIKERSINSTELLINGEN"). Gebruik gebruikersinstelling "U.49" om de meldingsfrequentie te wijzigen.
n99	Tijdsduur ingesteld met gebruikersinstelling "U.60" (zie "II. 2. GEBRUIKERSINSTELLINGEN") is verstreken en onderhoud is vereist. Druk op de RESET-knop nadat het onderhoud is voltooid.

Neem voor nadere assistentie of advies contact op met uw plaatselijke Hoshizaki-serviceagent.

3. VERWIJDERING

Houd u aan de lokale voorschriften met betrekking tot de verwijdering van het apparaat en zijn koelmiddelgas. Verwijder voordat u het apparaat afvoert de klep, om te voorkomen dat kinderen beklemd kunnen raken.

Juiste verwijdering van dit product:

Deze markering geeft aan dat dit product binnen de EU niet samen met ander huishoudelijk afval mag worden afgevoerd. Teneinde mogelijke milieuschade of schade aan de menselijke gezondheid ten gevolge van ongecontroleerde afvoer van afvalstoffen te vermijden, dient u het apparaat op verantwoorde wijze te recyclen om het duurzame hergebruik van materialen mogelijk te maken. U kunt uw gebruikte apparaat terugsturen via de bestaande systemen voor retournering en inzameling, of u kunt contact opnemen met de detailhandelaar waar het product is aangeschaft. Zij kunnen dit product innemen voor milieuvriendelijke recycling.



⚠ WAARSCHUWING



Brandgevaar

Het schuimmiddel dat wordt gebruikt voor isolatie van het apparaat bevat het ontvlambare gas cyclopentaan. Houd dit in het achterhoofd om het apparaat correct te af te voeren.

4. GARANTIE

Hoshizaki garandeert de oorspronkelijke eigenaar/gebruiker dat alle producten van het merk Hoshizaki vrij zijn van materiaal- en/of productiefouten voor de duur van de "garantieperiode". De garantie is twee jaar geldig gerekend vanaf de installatiedatum. De aansprakelijkheid van Hoshizaki in het kader van de garantie is beperkt en omvat geen routineonderhoud, reiniging, essentieel onderhoud en/of reparaties ten gevolge van onjuist gebruik en installaties die niet volgens de richtlijnen van Hoshizaki zijn uitgevoerd.

Reparaties in het kader van de garantie moeten worden uitgevoerd door een goedgekeurde Hoshizaki-dealer of serviceorganisatie met behulp van authentieke Hoshizaki-onderdelen.

Voor volledige informatie over uw garantie en over goedgekeurde servicebedrijven, raadpleegt u uw dealer/leverancier of de dichtstbijzijnde vestiging van Hoshizaki.

Europa, Midden-Oosten, Afrika

Hoshizaki UK - Verenigd Koninkrijk, Ierland
 TEL: +44 845 456 0585
 FAX: +44 132 283 8331
 uksales@hoshizaki.uk

Hoshizaki Middle East - Midden-Oosten
 TEL: +971 48 876 612
 FAX: +971 48 876 613
 sales@hoshizaki.ae

Hoshizaki Deutschland - Duitsland, Zwitserland, Oostenrijk, Polen, Tsjechië, Slowakije
 TEL: +49 5121 697370
 FAX: +49 5121 6973719
 vertrieb@hoshizaki.de

Hoshizaki Benelux - Nederland, België, Luxemburg
 TEL: +31 85 018 83 70
 info@hoshizaki.nl

NEDERLANDS

Hoshizaki France - Frankrijk
 TEL: +33 1 48 63 93 80
 FAX: +33 1 48 63 93 88
 info@hoshizaki.fr

Hoshizaki Italia - Italië
 TEL: +39 344 0616467
 TEL: +39 348 3022156
 info@hoshizaki.it

Hoshizaki Iberia - Spanje, Portugal
 TEL: +34 93 478 09 52
 FAX: +34 93 478 08 00
 info@hoshizaki.es

Hoshizaki Europe B.V. - alle overige landen in Europa en Afrika
 TEL: +31 20 6918499
 FAX: +31 20 6918768
 sales@hoshizaki.nl

SPECIFICATIES

Model	KM-40C-HC	KM-60C-HC	KM-80C-HC	KM-140C-HC
Type	Luchtgekoeld, crescent ijs	Luchtgekoeld, crescent ijs	Luchtgekoeld, crescent ijs	Luchtgekoeld, crescent ijs
Stroomvoorziening	1 fase 220 - 240 V, 50 Hz	1 fase 220 - 240 V, 50 Hz	1 fase 220 - 240 V, 50 Hz	1 fase 220 - 240 V 50 Hz
Stroomverbruik	209 W	242 W	299 W	564 W
IJsproductie per 24 uur	43 kg (omgevingstemperatuur 10 °C, water 10 °C)	60 kg (omgevingstemperatuur 10 °C, water 10 °C)	75 kg (omgevingstemperatuur 10 °C, water 10 °C)	135 kg (omgevingstemperatuur 10 °C, water 10 °C)
Afmetingen	452 mm (B) x 610 mm (D) x 988 mm (H)	605 mm (B) x 610 mm (D) x 988 mm (H)	605 mm (B) x 712 mm (D) x 988 mm (H)	630 mm (W) x 719 mm (D) x 1333 mm (H)
Koelmiddel	R290, 68 gram	R290, 90 gram	R290, 147 gram	R290, 110 gram
Schuimmiddel isolatieschuim	HFC-vrij	HFC-vrij	HFC-vrij	HFC-vrij
Gewicht	Netto: 39 kg (bruto: 49 kg)	Netto: 45 kg (bruto: 57 kg)	Netto: 50 kg (bruto: 63 kg)	Netto: 69 kg (bruto: 81 kg)
Omgevingstemperatuur	7 - 38 °C	7 - 38 °C	7 - 38 °C	7 - 38 °C
Watertemperatuur	7 - 32 °C	7 - 32 °C	7 - 32 °C	7 - 32 °C
Waterdruk	0,07 - 0,8 MPa (0,7 - 8 bar)	0,07 - 0,8 MPa (0,7 - 8 bar)	0,07 - 0,8 MPa (0,7 - 8 bar)	0,07 - 0,8 MPa (0,7 - 8 bar)
Spanningsbereik	Nominale spanning ± 6%	Nominale spanning ± 6%	Nominale spanning ± 6%	Nominale spanning ± 6%

Model	KM-40C-HC-W	KM-60C-HC-W	KM-80C-HC-W	KM-140C-HC-W
Type	Luchtgekoeld, crescent ijs, volautomatische reiniging	Luchtgekoeld, crescent ijs, volautomatische reiniging	Luchtgekoeld, crescent ijs, volautomatische reiniging	Luchtgekoeld, crescent ijs, volautomatische reiniging
Stroomvoorziening	1 fase 220 - 240 V, 50 Hz	1 fase 220 - 240 V, 50 Hz	1 fase 220 - 240 V, 50 Hz	1 fase 220 - 240 V 50 Hz
Stroomverbruik	209 W	242 W	299 W	564 W
IJsproductie per 24 uur	43 kg (omgevingstemperatuur 10 °C, water 10 °C)	60 kg (omgevingstemperatuur 10 °C, water 10 °C)	75 kg (omgevingstemperatuur 10 °C, water 10 °C)	135 kg (omgevingstemperatuur 10 °C, water 10 °C)
Afmetingen	452 mm (B) x 610 mm (D) x 988 mm (H)	605 mm (B) x 610 mm (D) x 988 mm (H)	605 mm (B) x 712 mm (D) x 988 mm (H)	630 mm (W) x 719 mm (D) x 1333 mm (H)
Koelmiddel	R290, 68 gram	R290, 90 gram	R290, 147 gram	R290, 110 gram
Schuimmiddel isolatieschuim	HFC-vrij	HFC-vrij	HFC-vrij	HFC-vrij
Gewicht	Netto: 41 kg (bruto: 51 kg)	Netto: 47 kg (bruto: 59 kg)	Netto: 52 kg (bruto: 65 kg)	Netto: 71 kg (bruto: 83 kg)
Omgevingstemperatuur	7 - 38 °C	7 - 38 °C	7 - 38 °C	7 - 38 °C
Watertemperatuur	7 - 32 °C	7 - 32 °C	7 - 32 °C	7 - 32 °C
Waterdruk	0,07 - 0,8 MPa (0,7 - 8 bar)	0,07 - 0,8 MPa (0,7 - 8 bar)	0,07 - 0,8 MPa (0,7 - 8 bar)	0,07 - 0,8 MPa (0,7 - 8 bar)
Spanningsbereik	Nominale spanning ± 6%	Nominale spanning ± 6%	Nominale spanning ± 6%	Nominale spanning ± 6%

INFORMACIÓN IMPORTANTE DE SEGURIDAD

A lo largo de este manual aparecerán avisos para llamar su atención sobre situaciones que podrían tener como consecuencia la muerte, heridas graves o daños en la unidad.

▲ADVERTENCIA	Indica una situación peligrosa que, de no evitarse, podría tener como resultado la muerte o heridas graves.
▲ATENCIÓN	Indica una situación peligrosa que, de no evitarse, podría tener como resultado heridas leves o moderadas.
AVISO	Indica una situación peligrosa que, de no evitarse, podría tener como resultado daños en la unidad.
▲HIGIENE	Indica precauciones importantes para la higiene y la seguridad de la comida.
IMPORTANTE	Indica información importante acerca del uso y el cuidado de la unidad.

Esta máquina de hielo utiliza refrigerante (propano) sin HFC, ecológicamente sostenible; lo que significa que no contribuye de modo negativo a la reducción de la capa de ozono ni potencia el calentamiento global.

▲ADVERTENCIA
Esta máquina de hielo contiene refrigerante inflamable en la unidad de refrigeración; solamente técnicos autorizados deben encargarse de su instalación, manipulación, mantenimiento y eliminación.
El refrigerante que contiene esta máquina de hielo es inflamable y se halla aislado de modo estanco en el sistema de refrigeración. A pesar de que el riesgo de fugas de refrigerante durante el uso normal sea mínimo, extreme las precauciones al manipular la máquina de hielo para evitar causar daños al sistema.
En caso de daños accidentales en el sistema de refrigeración que provoquen una fuga de refrigerante: * No cree una fuente de ignición en la zona. * No utilice interruptores eléctricos o enchufes en la zona. * No utilice una llama descubierta. * Ventile el área de forma inmediata abriendo puertas y/o ventanas. * Llame al ingeniero del servicio técnico.

IMPORTANTE
Este folleto es una parte integral y esencial del producto y el usuario debe guardarlo en buenas condiciones.
Por favor, lea atentamente las indicaciones y observaciones de este folleto que tratan de ofrecer al instalador/usuario toda la información esencial para la instalación correcta, el uso seguro y el mantenimiento del producto.
Por favor, guarde este folleto para cualquier futura consulta que sea necesaria.

⚠️ADVERTENCIA

Esta máquina de hielo comercial solo debe utilizarse para los fines para los que ha sido expresamente diseñada.

Cualquier otra utilización deberá considerarse inadecuada y, por lo tanto, potencialmente peligrosa. El fabricante no será responsable de ningún daño causado por un uso incorrecto, inadecuado o irrazonable.

La instalación y, si fuera necesario, la reubicación, debe ser realizada únicamente por personal cualificado, de acuerdo con la normativa vigente y las instrucciones del fabricante.

Mantenga los orificios de ventilación, de la carcasa de la máquina o de la estructura integrada, libres de cualquier obstrucción.

No haga uso de dispositivos mecánicos ni de otros medios distintos de los recomendados por el fabricante para acelerar el proceso de descongelación.

El uso de cualquier aparato eléctrico requiere tener presentes algunas normas fundamentales. En particular:

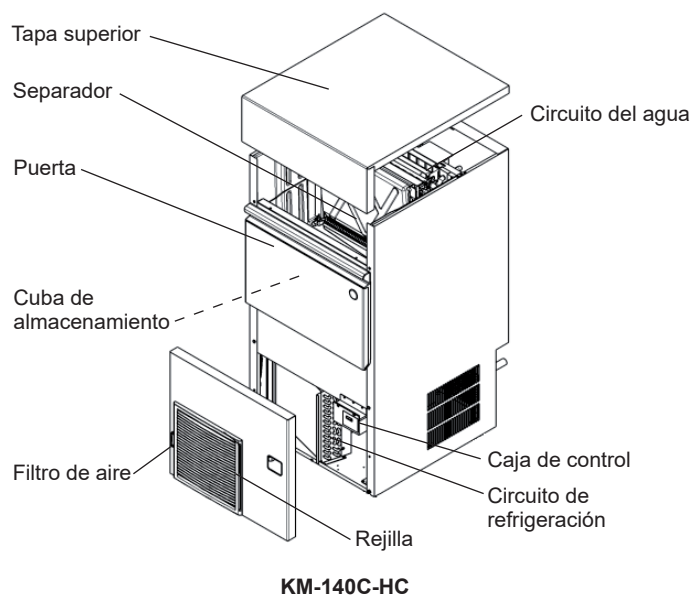
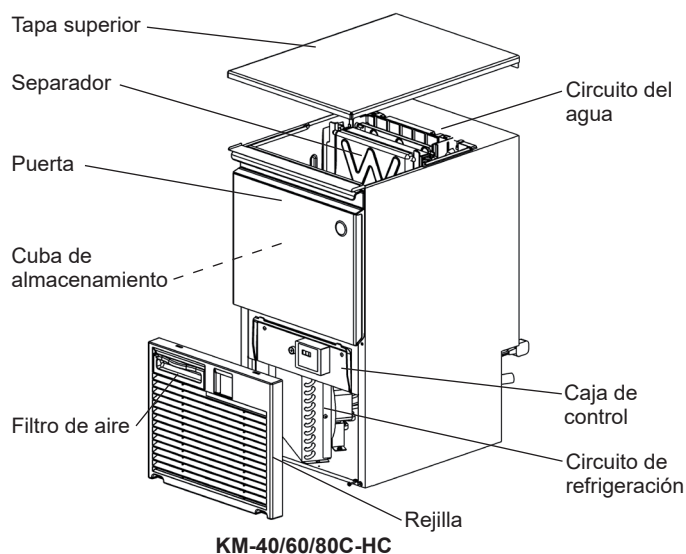
- * Un alto grado de humedad incrementa el riesgo potencial de cortocircuitos y de descargas eléctricas. En caso de duda, desconecte la máquina de hielo.
- * No dañe el cable de alimentación eléctrica ni tire de este para desconectar la máquina de hielo de la red eléctrica.
- * Si se daña el cable de alimentación, deberá sustituirse por un cable de repuesto disponible en los centros de repuestos/servicio de Hoshizaki.
- * No toque las partes eléctricas ni manipule los interruptores con las manos húmedas.
- * Este aparato no está diseñado para ser utilizado por personas (incluidos niños) con capacidades físicas, sensoriales o mentales reducidas, o sin experiencia y conocimientos; no obstante, puede ser utilizado por niños de a partir de 8 años y por personas con las minusvalías antes especificadas siempre que se encuentren bajo la supervisión de una persona responsable de su seguridad.
- * Los niños no deben jugar con el equipo.
- * Los niños sin supervisión no deben realizar la limpieza ni el mantenimiento de usuario.
- * No trate de modificar la máquina de hielo. El desmontaje o la reparación de la máquina solo debe ser realizado por personal cualificado.

Al colocar el aparato, compruebe que el cable de alimentación no quede atrapado ni esté dañado.

No coloque múltiples tomas de corriente portátiles o fuentes de alimentación portátiles en la parte posterior del aparato.

I. INSTRUCCIONES DE INSTALACIÓN

1. ESTRUCTURA



2. ACCESORIOS

	KM-40C-HC KM-60C-HC KM-80C-HC	KM-140C-HC	KM-40C-HC-W KM-60C-HC-W KM-80C-HC-W	KM-140C-HC-W
Manual de instrucciones	1	1	1	1
Pala	1	1	1	1
Pata	4	4	4	4
Cable de suministro eléctrico (continental)	1	1	1	1
Cable de suministro eléctrico (Reino Unido)	1	1	1	1
Tornillo de cabeza troncocónica con arandela (M4 x 30) (fijación de la rejilla)	2	-	-	-
Tornillo de apriete manual (fijación de la rejilla)	-	-	2	1
Bloque (M4) (fijación de la rejilla)	-	-	2	-
Conjunto de limpieza	-	-	1	1



3. DESEMBALAJE

⚠ ADVERTENCIA

No deje al alcance de los niños el material de embalaje (bolsas de plástico y poliestireno expandido), ya que son fuentes potenciales de peligro.

⚠ ATENCIÓN

No levante ni manipule el cartón usando las cintas de embalaje.

Cuando desplace la unidad con la mano, desmonte la rejilla y sujete la parte inferior de la unidad. No sujete la tapa superior ni la puerta. Podría desprenderse y causar daños.

Lleve siempre guantes protectores al transportar la unidad.

Cuando vaya a manipular el cartón o la unidad desembalada, hágalo con la ayuda de otra persona para evitar daños.

AVISO

Retire el cartón, la(s) cinta(s) y el embalaje de expedición. La máquina de hielo no funcionará correctamente si no se quita el material de embalaje.

- 1) Una vez que haya retirado el material de embalaje, asegúrese de que la máquina de hielo esté en buen estado. En caso de duda, no use la máquina de hielo y consulte a profesionales cualificados.
- 2) Retire la cinta para el transporte que sujeta la puerta y el separador.
- 3) Retire el plástico protector del exterior. Si la máquina de hielo está expuesta al sol o al calor, quítele la película una vez que se haya enfriado.
- 4) Retire el embalaje de los accesorios. Verifique el contenido de acuerdo con "2. ACCESORIOS".

4. UBICACIÓN

⚠ADVERTENCIA

Esta máquina de hielo no está diseñada para uso en el exterior.

La máquina de hielo no debe colocarse cerca de hornos, parrillas u otras fuentes de calor.

Este aparato no es apropiado para su instalación en una zona en la que pueda haber un chorro de agua.

⚠ATENCIÓN

La máquina de hielo debe ubicarse sobre una base firme y nivelada.

AVISO

No coloque nada encima de la máquina de hielo ni delante de la rejilla.

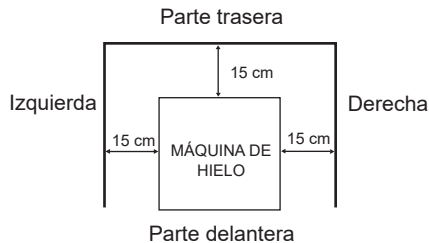
IMPORTANTE

La temperatura ambiente de trabajo normal debe situarse entre 7 °C y 38 °C. La temperatura de trabajo normal del agua debe situarse entre 7 °C y 32 °C. La utilización de la máquina de hielo fuera de estos márgenes de temperatura normales por periodos prolongados puede afectar su capacidad de producción.

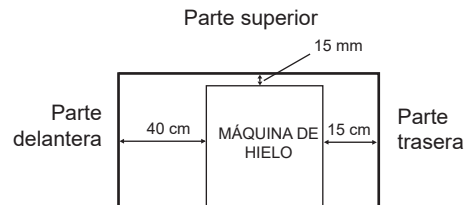
Deje el espacio especificado a continuación para permitir la circulación de aire y facilitar las eventuales operaciones de reparación o mantenimiento.

[KM-40/60/80C-HC(-W)]

Vista superior

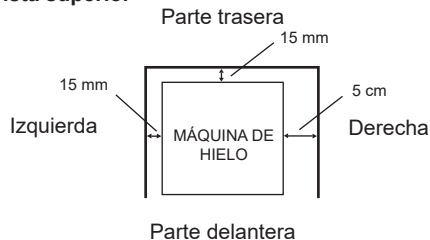


Vista lateral

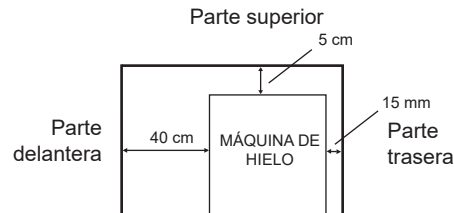


[KM-140C-HC(-W)]

Vista superior



Vista lateral



Es posible que en algunos entornos con un nivel alto de humedad se forme condensación en el interior de la máquina y gotee en el suelo. No la instale en suelos sensibles al agua.

Evite la exposición prolongada del equipo a la luz del sol directa.

5. INSTALACIÓN

⚠ ATENCIÓN

El fabricante no se hace responsable de los daños a personas, animales u otros elementos provocados por una instalación incorrecta.

- * Sitúe la máquina de hielo en la ubicación permanente escogida.
- * La máquina debe colocarse de modo que el enchufe resulte accesible.
- * Nivele la máquina de hielo en ambos sentidos (izquierda-derecha y delante-detrás) ajustando las patas.

6. CONEXIONES ELÉCTRICAS

⚠ ADVERTENCIA

ESTA MÁQUINA DEBE CONECTARSE A TIERRA

Esta máquina de hielo requiere una conexión a tierra conforme a la normativa eléctrica nacional y local.

Para evitar la posibilidad de fuertes descargas eléctricas a personas o graves averías de la unidad, conecte a la máquina un cable de puesta a tierra adecuado.

Antes de realizar operaciones de mantenimiento, reparación o limpieza, desconecte la unidad de la red eléctrica.

- * Este equipo necesita una alimentación de 220 – 240 VCA, 10 A aparte. El suministro eléctrico debe protegerse con un disyuntor apropiado.
- * El fusible principal de la caja de control es de 5 A y sólo debe sustituirlo un técnico de mantenimiento cualificado.
- * Normalmente son necesarios un permiso eléctrico y los servicios de un electricista acreditado.

Únicamente en el Reino Unido y la República de Irlanda


- * Los hilos del cable de red están coloreados de acuerdo con el código siguiente:

Verde y amarillo = Tierra

Azul = Neutro

Marrón = Activo

Es posible que los colores de los hilos del cable de red de este equipo no se correspondan con las marcas de color que identifican los terminales del enchufe que se utilice. En ese caso, proceda del modo siguiente:

El hilo verde y amarillo se debe conectar al terminal del enchufe marcado con la letra E, o con el símbolo , o de color verde o de color verde y amarillo. El hilo azul debe conectarse al terminal marcado con la letra N o de color negro. El hilo marrón debe conectarse al terminal marcado con la letra L o de color rojo.

- * En caso de que las tomas de corriente del lugar donde se va a instalar no sean adecuadas para el enchufe que se suministra con el producto, debe sustituirse el enchufe (cortándolo si está moldeado) por uno adecuado.

Si la clavija no reutilizable se ha cortado del cable de alimentación, dicha clavija debe desecharse. No trate de reutilizarla. La introducción de esta clavija en cualquier toma de corriente representa un grave riesgo de descarga eléctrica.

- * La clavija no reutilizable no debe utilizarse nunca sin una tapa de fusibles montada.

El recambio correcto de la tapa de fusibles desmontable se identifica por el número de referencia del fabricante grabado en la propia clavija.

Puede obtener tapas de fusibles de repuesto en los centros de repuestos/servicio de Hoshizaki.

Los fusibles deben ser de 10 A y estar homologados según BS 1362.

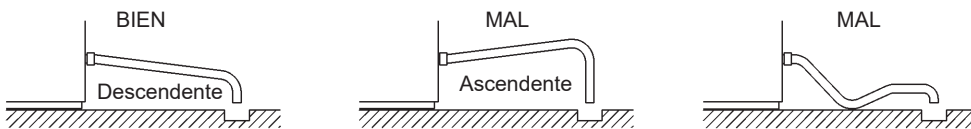
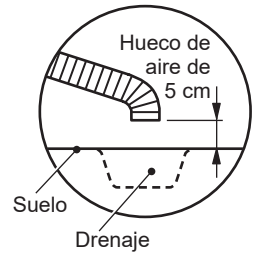
7. SUMINISTRO DE AGUA Y CONEXIONES DE DRENAJE

⚠ ADVERTENCIA

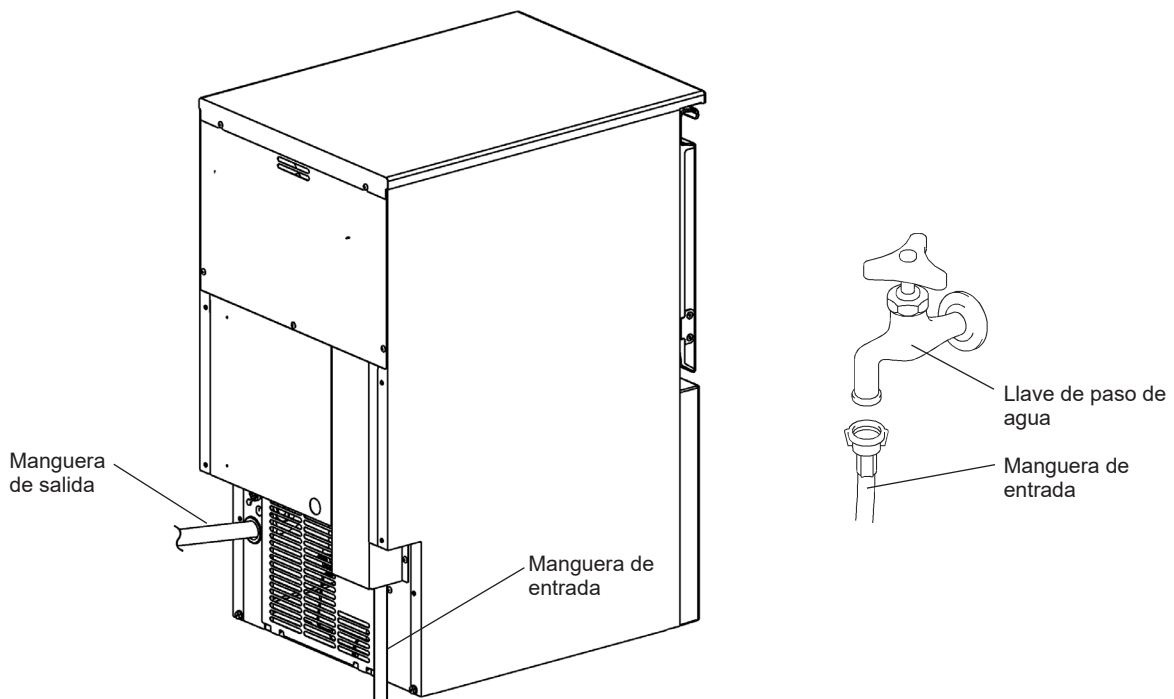


Conecte la máquina únicamente a un suministro de agua fría potable.

- * La conexión a la red de suministro general de agua debe hacerse según la regulación vigente de cada país en materia de suministro de agua o racores.
- * El agua de la máquina de hielo debe ser potable. Si la calidad del agua puede provocar problemas con la cal, es recomendable instalar un filtro externo o un suavizante. Póngase en contacto con un profesional en el tratamiento de aguas local o con un agente de servicio de Hoshizaki.
- * La presión del suministro de agua debe ser de 0,07 MPa (0,7 bar) como mínimo y 0,8 MPa (8 bar) como máximo. Si la presión es superior a 0,8 MPa (8 bar), utilice una válvula reductora adecuada. NO intente reducir la presión actuando sobre la llave de paso.
- * En algunas zonas pueden ser necesarios un permiso para obras de fontanería y los servicios de un fontanero acreditado.
- * El drenaje de la máquina de hielo se realiza por gravedad, de modo que la manguera de drenaje debe disponer de la pendiente y altura adecuadas.
- * Las tuberías no deberían colocarse directamente al drenaje. Debe quedar un hueco de aire vertical de al menos 5 cm entre el extremo de las mangueras de drenaje de la máquina de hielo y el drenaje del suelo.
- * Para prevenir el retorno de flujo a la cuba de almacenamiento, la manguera de salida debe disponerse de la forma mostrada.



- 1) Conecte el extremo libre de la manguera de entrada al grifo de agua, comprobando que la arandela quede correctamente colocada. Apriete a mano lo suficiente para conseguir una junta estanca. Como medida de precaución, es conveniente tener a mano una válvula de cierre.
- 2) Puede cortar la manguera de salida a la longitud necesaria ajustándola a la posición del drenaje principal.



II. INSTRUCCIONES DE UTILIZACIÓN

AVISO

Todos los componentes están ajustados de fábrica. Un ajuste incorrecto puede provocar averías.

Si desconecta la unidad, espere al menos 3 minutos antes de ponerla de nuevo en marcha para evitar que el compresor se averíe.

▲ HIGIENE

Esta máquina de hielo ha sido diseñada para producir hielo comestible. Para mantener la higiene de la máquina:

- * Lávese las manos antes de extraer hielo. Utilice la pala de plástico que se suministra (accesorio).
- * La cuba de almacenamiento solo puede utilizarse para el hielo. No almacene en la cuba ninguna otra cosa ni utilice otros aparatos eléctricos en ella.
- * Limpie la cuba de almacenamiento antes de utilizarla (véase "III. 1. LIMPIEZA").
- * Mantenga la pala limpia. Límpiela con un detergente neutro y aclárela bien.
- * Cierre la puerta después de extraer hielo para evitar que entren suciedad, polvo o insectos en la cuba de almacenamiento.

Panel de operaciones

[1] Pantalla

run: fabricando hielo
oFF: desactivada
FUL: cuba llena
cln: limpieza

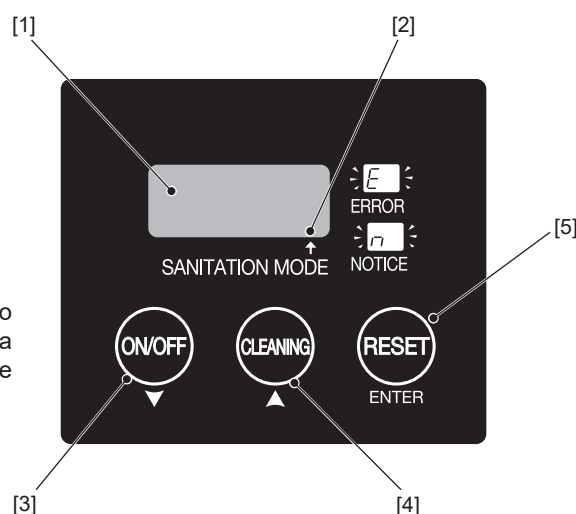
[2] Punto

Apagado: modo normal
Encendido: modo de esterilización (*)
* Después de 4 horas seguidas de inactividad, la máquina de hielo limpia y refresca automáticamente el circuito de agua para evitar la proliferación bacteriana, manteniéndolo limpio e higiénico durante más tiempo.

[3] Botón de activación/desactivación / Botón de flecha abajo

[4] Botón de limpieza / Botón de flecha arriba

[5] Botón de reinicio / Botón Enter



1. PUESTA EN MARCHA

El instalador normalmente prepara la máquina de hielo para que arranque con el proceso automático de producción. Para garantizar el funcionamiento en régimen continuo, asegúrese de que:

- * La llave de paso de agua está abierta;
- * La máquina de hielo está enchufada en la red de alimentación eléctrica, y
- * La pantalla muestra "run".

2. AJUSTES DE USUARIO

Los ajustes indicados a continuación puede definirlos el usuario.

- 1) Mantenga pulsado el botón de reinicio durante 3 segundos para acceder al modo de configuración del usuario. La pantalla muestra uno de los códigos de ajuste.
- 2) Utilice el botón de flecha arriba o abajo hasta que la pantalla muestre el código de ajuste deseado. A continuación, pulse el botón Enter.
- 3) Utilice el botón de flecha arriba o abajo para definir el ajuste. A continuación, pulse el botón Enter.
- 4) Una vez finalizados los ajustes, utilice el botón de flecha arriba o abajo hasta que en la pantalla se muestre "END". A continuación, pulse el botón Enter para salir del modo de configuración del usuario.

Código	Elemento	Descripción	Por defecto
U.04	Frecuencia de drenaje	0: Sin drenaje 1: cada 1 ciclo 2: cada 2 ciclos 5: cada 5 ciclos 10: cada 10 ciclos 20: cada 20 ciclos	10: cada 10 ciclos
U.44	Frecuencia de limpieza automática con agua	0: sin limpieza automática con agua 5: cada 5 ciclos 10: cada 10 ciclos 15: cada 15 ciclos 20: cada 20 ciclos 40: cada 40 ciclos 60: cada 60 ciclos	20: cada 20 ciclos
U.49	Número de dosificaciones de productos químicos (*)	Cuando las dosificaciones de productos químicos llegan a un número determinado, se muestra el código de aviso "n93" para indicar que no queda ningún producto químico.	KM-40: 15 veces KM-60: 13 veces KM-80: 12 veces KM-140: 16 veces
U.50	Frecuencia de limpieza química totalmente automatizada (*)	Inicia la limpieza química totalmente automatizada a la frecuencia establecida. Ajustable de cada 400 a 1000 ciclos (en intervalos de 100 ciclos) p. ej. 40 = 400 ciclos	—
U.51	Tiempo de irradiación del LED UV (**)	Irradia el LED UV durante un periodo de tiempo determinado. Ninguno o ajustable de 10 a 30 minutos (en intervalos de 1 minuto)	—
U.52	Frecuencia de irradiación del LED UV (**)	Irradia el LED UV en el ciclo de congelación después de un periodo de tiempo determinado. Ajustable de 30 a 300 minutos (en intervalos de 10 minutos)	120 minutos
U.53	Modo de funcionamiento	nor: modo normal cln: modo de esterilización (después de 4 horas seguidas de inactividad, el circuito de agua se limpia y refresca automáticamente para evitar la proliferación bacteriana).	nor: modo normal
U.54	Modo de limpieza química totalmente automatizada (*)	Si se selecciona "cln" (modo de esterilización), la unidad ejecuta un ciclo de limpieza química totalmente automatizada empleando un kit de limpieza totalmente automatizada (opcional), independientemente de la frecuencia establecida en U.50.	—
U.55	Reiniciar número de dosificaciones de productos químicos (*)	Reiniciar el código de aviso "n93" (no quedan productos químicos) y el número de dosificaciones de productos químicos.	—
U.56	Restablecer los ajustes	Restablece todos los ajustes del usuario a los valores por defecto.	—
U.58	Desactivación forzada	Desactiva la unidad en cualquier condición.	—
U.59	Drenaje forzado	Desactiva y drena la unidad en cualquier condición.	—
U.60	Aviso (p.ej. mantenimiento)	Se muestra el código de aviso "n99" después de un periodo de tiempo determinado. Ajustable de 0 (ninguna) a 6000 horas (en intervalos de 100 horas)	0: Ninguna
U.68	Restablecer el aviso	Restablece el recuento para el aviso de U.60.	—

* Aplicable solo al modelo de limpieza totalmente automatizada (-W) o cuando se utiliza el kit de limpieza totalmente automatizada (opcional).

** Aplicable solamente si se utiliza el LED UV (opcional).

3. PREPARACIÓN DE LA MÁQUINA DE HIELO PARA UN ALMACENAMIENTO PROLONGADO

AVISO

Esta máquina de hielo no funciona a temperaturas inferiores al punto de congelación del agua. Para prevenir averías en la tubería de suministro de agua, drene la máquina de hielo cuando la temperatura del aire sea inferior a cero.

▲ HIGIENE

Si va a tener la máquina de hielo apagada durante dos o más días, drénela para evitar la contaminación del circuito de agua.

- 1) Pulse el botón ON/OFF. La pantalla muestra "oFF".
- 2) Mantenga pulsado el botón de reinicio durante 3 segundos para acceder al modo de configuración del usuario.
- 3) Seleccione "1" en el ajuste de usuario "U.59" para drenar la máquina de hielo.
- 4) Desenchufe la máquina de fabricación de hielo o desconecte la alimentación eléctrica.
- 5) Cierre la llave de paso del agua y desmonte la manguera de entrada.
- 6) Extraiga todo el hielo de la cuba de almacenamiento y límpiela.
- 7) Limpie químicamente el circuito de agua de la forma descrita en la sección "III. 1. [e] Sistema de agua de fabricación de hielo".
- 8) Antes de seguir utilizando la máquina de fabricación de hielo, vuelva a limpiar el circuito de agua con agua dulce o con una solución química de la forma descrita en la sección "III. 1. [e] Sistema de agua de fabricación de hielo".

III. MANTENIMIENTO

1. LIMPIEZA

⚠ ADVERTENCIA

Antes de realizar cualquier operación de limpieza o mantenimiento, desenchufe la máquina de hielo de la red eléctrica.

Esta máquina no debe limpiarse con un chorro de agua.

⚠ ATENCIÓN

Si va a utilizar un detergente neutro o hipoclorito sódico, lea bien y asegúrese de entender las instrucciones proporcionadas para evitar posibles problemas de salud.

AVISO

Solicite a personal capacitado de mantenimiento la limpieza y esterilización del sistema de agua de la máquina de hielo al menos dos veces al año y la revisión y limpieza del condensador al menos una vez al año.

Para evitar posibles daños, no limpie las piezas de plástico con agua a una temperatura superior a 40 °C o en un lavavajillas.

No use ningún tipo de alcohol para la limpieza o esterilización de la máquina de fabricación de hielo. Puede causar grietas en las piezas de plástico.

⚠ HIGIENE

Para garantizar sus efectos y su calidad higiénica, prepare las soluciones de limpieza y esterilización justo antes de su uso.

[a] Exterior de la máquina y de la cuba

Limpie el exterior al menos una vez por semana con un trapo limpio y suave. Utilice un trapo humedecido con un detergente neutro para eliminar la grasa o la suciedad.

[b] Limpieza/esterilización de la pala y el asa de la cuba de almacenamiento (cada día)

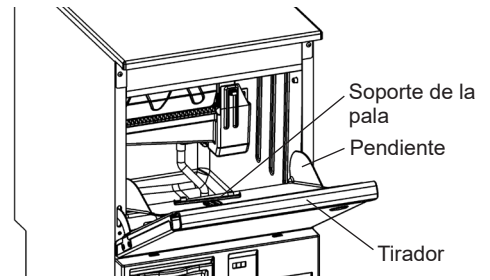
- 1) Mezcle 3 litros de agua con 11 ml de una solución de hipoclorito sódico al 5,25% en un recipiente adecuado, o bien utilice el esterilizador recomendado Hoshizaki según las instrucciones.
- 2) Sumerja la pala en la solución durante más de 3 minutos. Aclárela con abundante agua y sacúdala para eliminar el exceso de líquido.

Nota: el uso de un trapo para secarla podría contaminarla.

- 3) Utilice un detergente neutro para lavar el asa de la cuba de almacenamiento. Aclárelo con abundante agua.
- 4) Empape un trapo limpio con la solución esterilizadora y limpie el asa. Utilice agua potable y un trapo limpio para aclarar/secar.

[c] Limpieza/esterilización del interior de la cuba de almacenamiento (cada semana)

- 1) Abra la puerta de la cuba de almacenamiento y extraiga todo el hielo.
- 2) Retire el soporte de la pala de la pendiente.
- 3) Lave el revestimiento de la cuba y el soporte de la pala con un detergente neutro no abrasivo. Aclárelo con abundante agua.
- 4) Empape un trapo limpio con detergente neutro y limpie ambos lados de la pendiente y la superficie interior de la puerta. Elimine el exceso de detergente con un trapo limpio húmedo.
- 5) Mezcle 3 litros de agua con 11 ml de una solución de hipoclorito sódico al 5,25% en un recipiente adecuado, o bien utilice el esterilizador de agua recomendado por Hoshizaki siguiendo las instrucciones.



- 6) Empape una esponja limpia o un trapo con la solución y limpie el revestimiento de la cuba, la puerta de la cuba, la pendiente y el soporte de la pala.

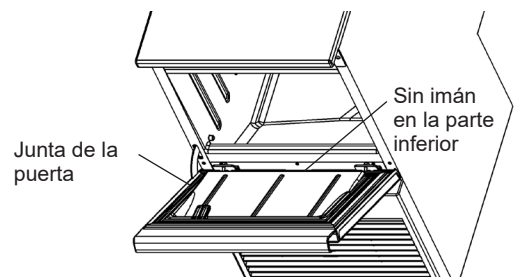
Nota: limpie todas las superficies de la junta de la puerta que se ensucian fácilmente. Puede desmontarse fácilmente para su limpieza.

IMPORTANTE

La junta de la puerta está provista de un imán en la parte superior y en ambos lados. Para garantizar la estanqueidad de la puerta, vuelva a colocar la junta en su posición correcta.

- 7) La solución restante puede utilizarse para esterilizar los utensilios.

Nota: no seque con un trapo ni aclare con agua después de la esterilización; deje que se seque al aire.



[d] Filtro de aire

Los filtros de aire con malla de plástico eliminan la suciedad o el polvo del aire y evitan que el condensador se obstruya. Si el filtro se obstruye, el rendimiento de la máquina de hielo se reduce. Desmonte y limpie los filtros de aire al menos dos veces al mes:

- 1) Extraiga el filtro de aire.

Nota: no introduzca la mano en el interior del compartimento de la máquina.

- 2) Limpie el filtro de aire con un aspirador. Cuando el filtro de aire esté muy obstruido, utilice agua tibia y un detergente neutro para lavarlo.
- 3) Aclare y seque el filtro de aire cuidadosamente.

AVISO

Tras la limpieza, asegúrese de volver a colocar el filtro de aire en su lugar.

[e] Sistema de agua de fabricación de hielo

Limpieza con agua

Limpie el circuito de agua con agua dulce de forma automática o manual.

Limpieza automática con agua: Defina el ajuste del usuario "U.44" a la frecuencia deseada (consulte la sección "II. 2. AJUSTES DE USUARIO").

Limpieza manual con agua: Pulse el botón de limpieza cuando en la pantalla no se muestre "oFF".

La máquina de fabricación de hielo reanuda automáticamente la producción de hielo después de limpiar el circuito de agua.

Limpieza automatizada con productos químicos

Limpie con mayor eficacia el circuito de agua añadiendo manualmente un producto químico.

⚠ ATENCIÓN

Utilice equipo de protección (por ejemplo, gafas protectoras) cuando utilice el ácido cítrico o la solución de hipoclorito sódico. La solución puede salir despedida y salpicarle los ojos. Si eso ocurriera, lávese los ojos con agua potable.

AVISO

Si la solución de ácido cítrico gotea en las partes metálicas de la lámina, límpiela a fondo para evitar que se oxide.

1) Lleva a cabo alguno de estos procedimientos según la finalidad prevista.

Limpieza (descalcificación): 3,5 litros de solución de ácido cítrico al 2%

Esterilización: 3,5 litros de agua mezclada con 13 ml de solución de hipoclorito sódico al 5,25%

2) Abra la puerta y extraiga todo el hielo de la cuba de almacenamiento. Compruebe que el separador está colocado en su posición correcta, tal y como se muestra en la imagen. De lo contrario, la solución puede salpicar el hielo de la cuba de almacenamiento.

3) Mantenga pulsado el botón de limpieza durante 3 segundos. En la pantalla parpadea el modo actual. Por ejemplo, durante la operación de fabricación de hielo empieza a parpadear "run".

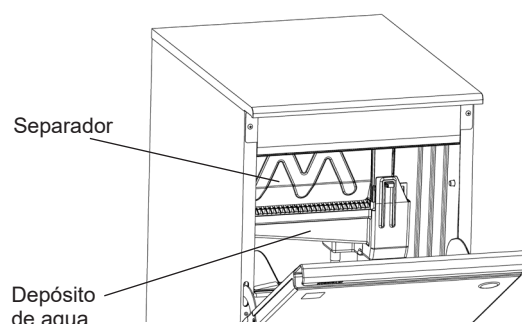
4) Cuando la pantalla cambie a "cln", vierta la siguiente cantidad de solución en el depósito de agua procurando no desbordarlo.

KM-40C-HC: 2,0 litros

KM-60C-HC: 2,5 litros

KM-80C-HC: 3,0 litros

KM-140C-HC: 3,5 litros



5) Aclare el revestimiento de la cuba con agua limpia para eliminar cualquier resto de solución derramada en la cuba de almacenamiento. A continuación, cierre la puerta.

6) Pulse el botón de limpieza (o espere 15 minutos) para iniciar la limpieza automatizada con productos químicos.

7) La unidad vuelve a su estado original una vez finalizada la limpieza.

⚠ ADVERTENCIA

Si el hielo fabricado después de realizar la limpieza automatizada con productos químicos tiene mal sabor, deje de utilizar inmediatamente la máquina de fabricación de hielo y llame al servicio técnico.

Limpieza totalmente automatizada con productos químicos (*)

* Disponible solo en el modelo con limpieza totalmente automatizada (-W) o cuando se utiliza el kit de limpieza totalmente automatizada (opcional).

El kit de limpieza totalmente automatizada dosifica automáticamente un producto químico (1250 ml de solución de ácido cítrico al 40%) y descalcifica el circuito de agua a la frecuencia deseada. Defina los ajustes necesarios de la forma descrita en la sección "II. 2. AJUSTES DE USUARIO".

Para más detalles, consulte el manual de instrucciones del kit de limpieza totalmente automatizada ACK.

2. ANTES DE LLAMAR AL SERVICIO TÉCNICO

⚠ ADVERTENCIA

No dañe el circuito del refrigerante.

Si la máquina de hielo no funciona correctamente o no funciona en absoluto, antes de llamar al servicio de reparaciones compruebe que:

* La unidad está conectada a la red eléctrica.

* El agua está conectada.

* El filtro de aire está limpio.

Si el problema persiste, desactive la unidad, vuélvala a activar y pulse el botón de reinicio.

Si el problema persiste, compruebe si aparece en la pantalla el código de error "E" o si el punto del centro está encendido, y póngase en contacto con su servicio técnico de Hoshizaki.

Si se muestra uno de los siguientes códigos de aviso, siga las instrucciones indicadas a continuación.

Código	Descripción
n92	Temperatura anormalmente alta. Limpie el filtro de aire. Compruebe que la instalación sea correcta de acuerdo con lo indicado en la sección "I. 4. UBICACIÓN".
n93	No queda ningún producto químico (cuando se utiliza el kit de limpieza totalmente automatizada (opcional)). Sustituya o rellene el recipiente de productos químicos y restablezca la unidad definiendo el ajuste del usuario "U.55" (consulte la sección "II. 2. AJUSTES DE USUARIO"). Para cambiar la frecuencia del aviso, utilice el ajuste del usuario "U.49".
n99	El periodo de tiempo establecido por el ajuste del usuario "U.60" (consulte la sección "II. 2. AJUSTES DE USUARIO") ha transcurrido y es necesario realizar el mantenimiento. Una vez terminado el mantenimiento, pulse el botón de reinicio.

Para asistencia o asesoramiento adicionales, póngase en contacto con el agente de reparaciones local de Hoshizaki.


3. ELIMINACIÓN

Siga las normativas locales aplicables a la eliminación de este equipo y el gas refrigerante que contiene. Antes de desechar el equipo, quite la puerta para evitar que niños queden atrapados dentro jugando.

Eliminación correcta de este producto:

Estas marcas indican que está prohibido eliminar este producto junto con otros desechos de uso doméstico en todo el territorio de la UE. Para evitar el posible daño al medioambiente o a la salud pública, provocado por la eliminación no controlada de desechos, recíclelos de forma responsable para fomentar la reutilización sostenible de los recursos materiales. Para devolver el dispositivo usado, utilice los sistemas de devolución y recogida o póngase en contacto con el punto de venta en el que adquirió el producto. El personal se encargará de que el producto se recicle respetando el medioambiente.



⚠ ADVERTENCIA	
 Riesgo de incendio	La espuma aislante usada para el cuerpo de la unidad contiene el gas inflamable ciclopentano. Teniendo en cuenta esto, deshágase del producto de la forma adecuada.

4. GARANTÍA

Hoshizaki garantiza al usuario/propietario que ninguno de los productos de su marca presentarán defectos de material o mano de obra durante la duración del "periodo de garantía". La garantía será efectiva durante dos años a partir de la fecha de instalación. La responsabilidad de Hoshizaki según los términos de esta garantía es limitada y excluirá el servicio de rutina, la limpieza, el mantenimiento esencial y/o las reparaciones ocasionadas por uso incorrecto y por instalaciones que no se ajusten a las instrucciones de Hoshizaki.

Las reparaciones cubiertas por la garantía deberán ser realizadas por un distribuidor o centro de servicio homologado de Hoshizaki empleando componentes originales de Hoshizaki.

Para más detalles sobre la garantía y los centros de servicio homologados, póngase en contacto con su distribuidor/proveedor, o con la oficina de Servicio Técnico de Hoshizaki más próxima.

Europa, Oriente Medio, África

Hoshizaki UK - Reino Unido, Irlanda
TEL: +44 845 456 0585
FAX: +44 132 283 8331
uksales@hoshizaki.uk

Hoshizaki Middle East - Oriente Medio
TEL: +971 48 876 612
FAX: +971 48 876 613
sales@hoshizaki.ae

Hoshizaki Deutschland - Alemania, Suiza, Austria, Polonia,
República Checa, Eslovaquia
TEL: +49 5121 697370
FAX: +49 5121 6973719
vertrieb@hoshizaki.de

Hoshizaki Benelux - Holanda, Bélgica, Luxemburgo
TEL: +31 85 018 83 70
info@hoshizaki.nl

Hoshizaki France - Francia
 TEL: +33 1 48 63 93 80
 FAX: +33 1 48 63 93 88
 info@hoshizaki.fr

Hoshizaki Italia - Italia
 TEL: +39 344 0616467
 TEL: +39 348 3022156
 info@hoshizaki.it

Hoshizaki Iberia - España, Portugal
 TEL: +34 93 478 09 52
 FAX: +34 93 478 08 00
 info@hoshizaki.es

Hoshizaki Europe B.V. - Resto de países de Europa y África
 TEL: +31 20 6918499
 FAX: +31 20 6918768
 sales@hoshizaki.nl

ESPECIFICACIONES

Modelo	KM-40C-HC	KM-60C-HC	KM-80C-HC	KM-140C-HC
Tipo	Refrigerado por aire, cubitos en forma de media luna	Refrigerado por aire, cubitos en forma de media luna	Refrigerado por aire, cubitos en forma de media luna	Refrigerado por aire, cubitos en forma de media luna
Alimentación	1 fase 220 - 240 V 50 Hz	1 fase 220 - 240 V 50 Hz	1 fase 220 - 240 V 50 Hz	1 fase 220 - 240 V 50 Hz
Consumo eléctrico	209 W	242 W	299 W	564 W
Producción de hielo en 24 h	43 kg (temperatura ambiente 10 °C, agua 10 °C)	60 kg (temperatura ambiente 10 °C, agua 10 °C)	75 kg (temperatura ambiente 10 °C, agua 10 °C)	135 kg (temperatura ambiente 10 °C, agua 10 °C)
Dimensiones	452 mm (Anch.) x 610 mm (Prof.) x 988 mm (Alt.)	605 mm (Anch.) x 610 mm (Prof.) x 988 mm (Alt.)	605 mm (Anch.) x 712 mm (Prof.) x 988 mm (Alt.)	630 mm (Anch.) x 719 mm (Prof.) x 1333 mm (Alt.)
Refrigerante	R290, 68 g	R290, 90 g	R290, 147 g	R290, 110 g
Agente espumante para aislamiento	Sin HFC	Sin HFC	Sin HFC	Sin HFC
Peso	Peso neto: 39 kg (peso total: 49 kg)	Peso neto: 45 kg (peso total: 57 kg)	Peso neto: 50 kg (peso total: 63 kg)	Peso neto: 69 kg (peso total: 81 kg)
Temp. ambiente	7 - 38 °C	7 - 38 °C	7 - 38 °C	7 - 38 °C
Temperatura del agua	7 - 32 °C	7 - 32 °C	7 - 32 °C	7 - 32 °C
Presión del agua	0,07 - 0,8 MPa (0,7 - 8 bar)	0,07 - 0,8 MPa (0,7 - 8 bar)	0,07 - 0,8 MPa (0,7 - 8 bar)	0,07 - 0,8 MPa (0,7 - 8 bar)
Intervalo de voltaje	Voltaje nominal ± 6%	Voltaje nominal ± 6%	Voltaje nominal ± 6%	Voltaje nominal ± 6%

Modelo	KM-40C-HC-W	KM-60C-HC-W	KM-80C-HC-W	KM-140C-HC-W
Tipo	Refrigerado por aire, cubitos en forma de media luna, limpieza totalmente automatizada	Refrigerado por aire, cubitos en forma de media luna, limpieza totalmente automatizada	Refrigerado por aire, cubitos en forma de media luna, limpieza totalmente automatizada	Refrigerado por aire, cubitos en forma de media luna, limpieza totalmente automatizada
Alimentación	1 fase 220 - 240 V 50 Hz	1 fase 220 - 240 V 50 Hz	1 fase 220 - 240 V 50 Hz	1 fase 220 - 240 V 50 Hz
Consumo eléctrico	209 W	242 W	299 W	564 W
Producción de hielo en 24 h	43 kg (temperatura ambiente 10 °C, agua 10 °C)	60 kg (temperatura ambiente 10 °C, agua 10 °C)	75 kg (temperatura ambiente 10 °C, agua 10 °C)	135 kg (temperatura ambiente 10 °C, agua 10 °C)
Dimensiones	452 mm (Anch.) x 610 mm (Prof.) x 988 mm (Alt.)	605 mm (Anch.) x 610 mm (Prof.) x 988 mm (Alt.)	605 mm (Anch.) x 712 mm (Prof.) x 988 mm (Alt.)	630 mm (Anch.) x 719 mm (Prof.) x 1333 mm (Alt.)
Refrigerante	R290, 68 g	R290, 90 g	R290, 147 g	R290, 110 g
Agente espumante para aislamiento	Sin HFC	Sin HFC	Sin HFC	Sin HFC
Peso	Peso neto: 41 kg (peso total: 51 kg)	Peso neto: 47 kg (peso total: 59 kg)	Peso neto: 52 kg (peso total: 65 kg)	Peso neto: 71 kg (peso total: 83 kg)
Temp. ambiente	7 - 38 °C	7 - 38 °C	7 - 38 °C	7 - 38 °C
Temperatura del agua	7 - 32 °C	7 - 32 °C	7 - 32 °C	7 - 32 °C
Presión del agua	0,07 - 0,8 MPa (0,7 - 8 bar)	0,07 - 0,8 MPa (0,7 - 8 bar)	0,07 - 0,8 MPa (0,7 - 8 bar)	0,07 - 0,8 MPa (0,7 - 8 bar)
Intervalo de voltaje	Voltaje nominal ± 6%	Voltaje nominal ± 6%	Voltaje nominal ± 6%	Voltaje nominal ± 6%

INFORMAZIONI IMPORTANTI SULLA SICUREZZA

All'interno del manuale compaiono degli avvertimenti che intendono attirare l'attenzione dell'operatore su situazioni che potrebbero causarne la morte, lesioni gravi o danneggiare l'apparecchio.

▲AVVERTENZA	Indica una situazione pericolosa che, se non evitata, potrebbe causare la morte o lesioni gravi.
▲ATTENZIONE	Indica una situazione pericolosa che, se non evitata, potrebbe causare lesioni di lieve o media entità.
AVVISO	Indica una situazione pericolosa che, se non evitata, potrebbe causare danni all'unità.
▲IGIENE	Indica importanti precauzioni per l'igiene e la sicurezza alimentare.
IMPORTANTE	Indica informazioni importanti in merito all'uso e alla manutenzione dell'unità.

La macchina utilizza un refrigerante senza HFC (propano) che non danneggia l'ozono e materiali ecosostenibili che hanno un potenziale di riscaldamento globale molto basso.

▲AVVERTENZA
L'unità di raffreddamento della macchina contiene un refrigerante infiammabile; pertanto l'installazione, la movimentazione, la manutenzione e lo smaltimento possono essere eseguiti esclusivamente da tecnici autorizzati.
Il refrigerante contenuto in questa macchina è infiammabile e sigillato nell'impianto di refrigerazione. Anche se non si verificano perdite di refrigerante con il normale utilizzo, prestare particolare attenzione quando si utilizza la macchina per non provocare danni all'impianto.
In caso di danno accidentale all'impianto di refrigerazione con conseguente perdita di refrigerante: * Evitare la creazione di fonti di innesco nell'area. * Non azionare interruttori o utilizzare spine elettriche nell'area. * Evitare l'uso di fiamme libere. * Aprire immediatamente porte e/o finestre per ventilare l'area. * Contattare un tecnico dell'assistenza.
IMPORTANTE
Il presente manuale è parte integrante e fondamentale del prodotto e deve essere conservato con cura dall'utente.
Si raccomanda di leggere con attenzione le indicazioni e le avvertenze ivi contenute, volte a fornire all'installatore/utente le informazioni fondamentali per la corretta installazione, l'utilizzo prolungato e la manutenzione del prodotto in condizioni di sicurezza.
Si raccomanda di conservare il presente manuale per eventuali necessità di consultazione future.

▲AVVERTENZA

Questa è una macchina industriale e deve essere utilizzata esclusivamente per gli impieghi per la quale è stata espressamente progettata.

Qualunque altro impiego è da considerarsi improprio e pertanto pericoloso. La casa costruttrice declina ogni responsabilità per eventuali danni provocati da uso improprio, non corretto o sconsiderato.

L'installazione e, se necessario, lo spostamento, devono essere eseguiti da personale specializzato, in conformità alle norme vigenti e alle istruzioni della casa costruttrice.

Mantenere prive di ostruzioni le aperture di ventilazione della custodia della macchina o della struttura incorporata.

Non utilizzare dispositivi meccanici o altri strumenti per accelerare il processo di scongelamento, ad eccezione di quelli consigliati dal produttore.

L'utilizzo di qualsiasi apparecchio elettrico implica l'osservanza di alcune norme fondamentali. In particolare:

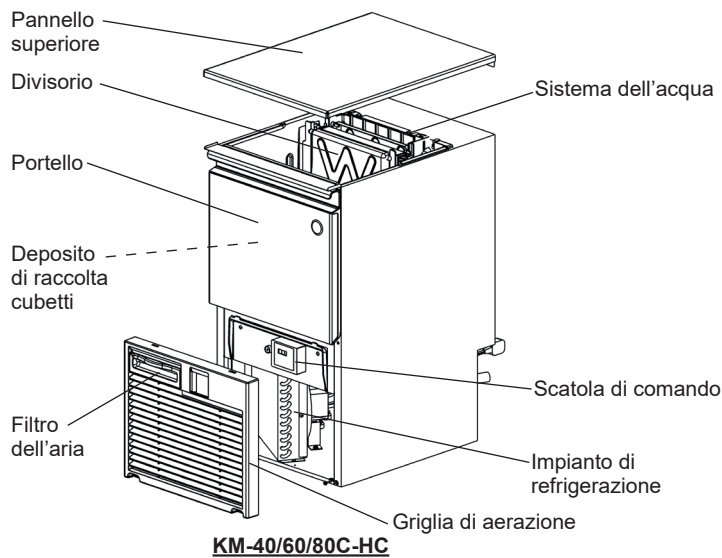
- * Ubicando la macchina in ambienti ad alta umidità, si aumenta il rischio di cortocircuiti elettrici e di eventuali scosse elettriche. In caso di dubbi, disinserire la macchina.
- * Non danneggiare il cavo dell'alimentazione elettrica né tirarlo per scollegare la spina della macchina dalla rete di alimentazione.
- * Se il cavo di alimentazione è danneggiato, sostituirlo con un cavo di ricambio reperibile presso il centro assistenza/ricambi Hoshizaki.
- * Non toccare parti elettriche né gli interruttori con le mani bagnate.
- * La macchina non deve essere utilizzata da persone (inclusi i bambini) con capacità fisiche, sensoriali o mentali ridotte o con mancanza di competenze e conoscenze adeguate. È tuttavia consentito l'uso da parte di bambini con età minima di 8 anni, nonché di persone con capacità fisiche, sensoriali o mentali ridotte o con mancanza di competenze e conoscenze, purché sotto la supervisione o in linea con le istruzioni sull'uso dell'apparecchio fornite da un responsabile della sicurezza dei soggetti sopra indicati.
- * I bambini non devono giocare con la macchina.
- * La pulizia e la manutenzione da parte dell'utente non devono essere effettuate da bambini senza che venga loro fornita la supervisione.
- * Non apportare modifiche alla macchina. Il disassemblaggio e la riparazione della macchina devono essere effettuati esclusivamente da personale qualificato.

Durante il posizionamento della macchina, assicurarsi che il cavo di alimentazione non sia schiacciato o danneggiato.

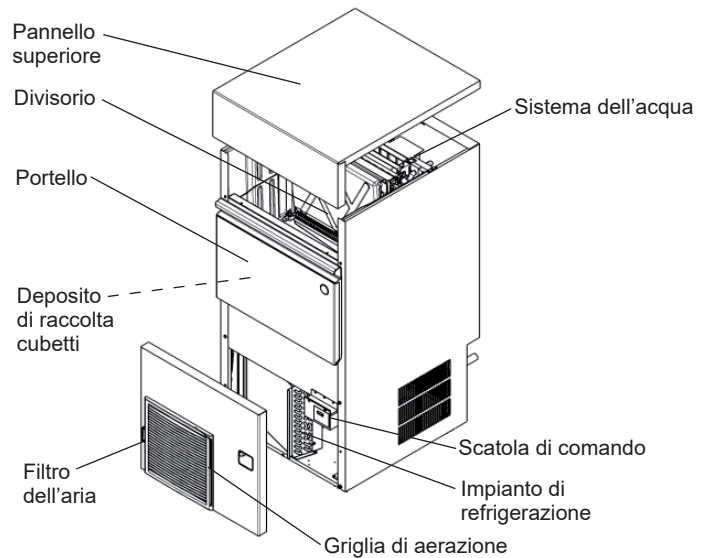
Non inserire prese multiple o alimentatori portatili sul retro della macchina.

I. ISTRUZIONI PER L'INSTALLAZIONE

1. COMPONENTI



KM-40/60/80C-HC



KM-140C-HC

2. ACCESSORI

	KM-40C-HC KM-60C-HC KM-80C-HC	KM-140C-HC	KM-40C-HC-W KM-60C-HC-W KM-80C-HC-W	KM-140C-HC-W
Manuale di istruzioni	1	1	1	1
Cucchiaino di presa	1	1	1	1
Piedino	4	4	4	4
Cavo di alimentazione elettrica (Europa continentale)	1	1	1	1
Cavo di alimentazione elettrica (Regno Unito)	1	1	1	1
Vite a testa bombata con rondella (M4 x 30) (fissaggio della griglia di aerazione)	2	-	-	-
Vite a testa zigrinata (fissaggio della griglia di aerazione)	-	-	2	1
Distanziatore (M4) (fissaggio della griglia di aerazione)	-	-	2	-
Gruppo cartuccia di pulizia	-	-	1	1



3. DISIMBALLAGGIO

⚠ AVVERTENZA

Tenere gli elementi d'imballaggio (sacchetti in plastica e polistirolo espanso) lontano dalla portata dei bambini, perché potenzialmente pericolosi.

⚠ ATTENZIONE

Non sollevare o maneggiare il cartone mediante il nastro d'imballaggio.

Quando si sposta l'unità manualmente, rimuovere la griglia di aerazione e afferrare l'unità dal basso. Non afferrare il pannello superiore o il portello. Potrebbero cadere e provocare lesioni alle persone.

Indossare sempre guanti protettivi per trasportare l'unità.

Per evitare il rischio di lesioni, lavorare sempre in coppia quando si movimenta la scatola o l'unità disimballata.

AVVISO

Rimuovere il cartone d'imballaggio, il nastro/i e l'imballaggio. La macchina non funziona in modo corretto se non si rimuove tutto il materiale d'imballaggio.

- 1) Dopo la rimozione dell'imballaggio, controllare che la macchina sia in buone condizioni. Qualora sorgano dubbi in merito, non utilizzare la macchina ma rivolgersi a personale qualificato.
- 2) Rimuovere il nastro di imballaggio che avvolge il portello e il divisorio.
- 3) Togliere la pellicola di plastica esterna di protezione. In caso di esposizione al sole o a fonti di calore, rimuovere la pellicola dopo aver lasciato raffreddare la macchina.
- 4) Rimuovere l'imballaggio contenente gli accessori. Verificarne il contenuto secondo quanto riportato al punto "2. ACCESSORI".

4. UBICAZIONE

⚠AVVERTENZA

La macchina non è adatta per essere utilizzata all'aria aperta.

La macchina non deve essere ubicata in prossimità di forni, grill o altri apparecchi che producono calore intenso.

La macchina non è adatta per l'installazione in un'area in cui è possibile utilizzare un getto d'acqua.

⚠ATTENZIONE

Il pavimento su cui poggia deve garantire alla macchina una base solida e piana.

AVVISO

Non posizionare alcun oggetto sulla sommità della macchina e davanti alla sfinestratura.

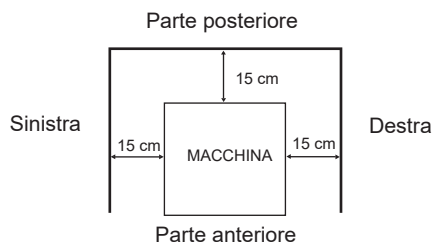
IMPORTANTE

La temperatura ambiente per il normale funzionamento deve essere compresa tra 7 °C e 38 °C. La temperatura dell'acqua per il normale funzionamento deve essere compresa tra 7 °C e 32 °C. L'utilizzo prolungato della macchina con temperature al di fuori di questi intervalli può compromettere la capacità di produzione di ghiaccio.

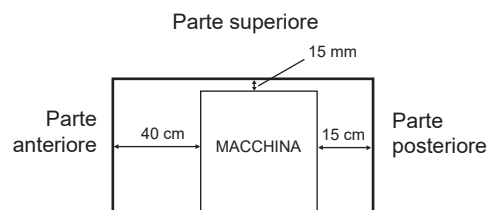
Lasciare uno spazio equivalente a quello sotto specificato in modo da favorire la circolazione dell'aria e le eventuali operazioni di manutenzione o servizio.

[KM-40/60/80C-HC(-W)]

Vista dall'alto

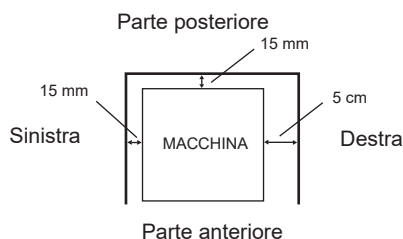


Vista laterale

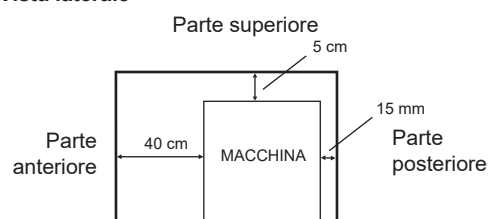


[KM-140C-HC(-W)]

Vista dall'alto



Vista laterale



In alcuni ambienti ad alta umidità, all'interno della macchina potrebbe formarsi della condensa che si riversa poi sul pavimento. Non installare la macchina su un pavimento che potrebbe danneggiarsi a causa dell'acqua.

Evitare l'esposizione prolungata della macchina alla luce diretta del sole.

5. INSTALLAZIONE

⚠ATTENZIONE

L'installazione non corretta può provocare lesioni alle persone, agli animali e danni materiali, per i quali la casa costruttrice declina ogni responsabilità.

- * Collocare la macchina nel luogo designato per l'installazione permanente.
- * La macchina deve essere posizionata in modo che la presa sia facilmente accessibile.
- * Regolando i piedini, disporre la macchina in posizione orizzontale lungo l'asse fra il lato destro e sinistro e l'asse fra il lato anteriore e posteriore.

6. COLLEGAMENTI ELETTRICI

⚠AVVERTENZA

LA MACCHINA DEVE ESSERE COLLEGATA A MASSA

La macchina deve essere collegata a massa in modo da soddisfare le norme elettriche a livello locale e nazionale.

Per prevenire gravi lesioni da scosse elettriche alle persone e seri danni alla macchina, collegare alla medesima un idoneo cavo di massa.

Scollegare l'alimentazione principale prima di eseguire qualsiasi intervento di manutenzione, riparazione o pulizia.

- * Questa macchina richiede un'alimentazione separata a 220 - 240V CA, da 10A. L'alimentazione elettrica deve essere protetta da un interruttore automatico adeguato.
- * Il fusibile della scatola di comando principale è di 5A e va sostituito solo da un tecnico di servizio specializzato.
- * Per eseguire lavori elettrici, solitamente è necessario ottenere il permesso nonché l'assistenza di un elettricista autorizzato.

Solo per il Regno Unito e la Repubblica d'Irlanda

- * I fili del cavo di alimentazione sono colorati in base al seguente codice:
 - verde e giallo = massa
 - blu = neutro
 - marrone = sotto tensione

Dato che i colori dei fili del cavo di alimentazione della macchina possono non corrispondere ai contrassegni colorati che identificano i terminali della spina dell'utente, procedere come segue.

Il filo verde e giallo deve essere collegato al terminale della spina contrassegnato dalla lettera E o dal simbolo \perp o di colore verde o verde e giallo. Il filo blu deve essere collegato al terminale della spina contrassegnato dalla lettera N o di colore nero. Il filo marrone deve essere collegato al terminale contrassegnato dalla lettera L o di colore rosso.

- * Se le prese a muro, nel luogo dell'installazione, non sono adatte alla spina appartenente alla dotazione del prodotto, togliere la spina (tagliandola se è del tipo pressofuso) e sostituirla con una spina adatta.

Se dal cavo di alimentazione elettrica è stata tagliata una spina di tipo non riciclabile, smaltirla. Non cercare di riutilizzarla. Inserire una spina del genere in una qualsiasi altra presa comporta un forte rischio di scosse elettriche.

- * La spina non riciclabile non va mai utilizzata senza aver montato un coprifusibile.

Per individuare il corretto ricambio del coprifusibile smontabile, leggere il numero di riferimento della casa costruttrice impresso sulla spina.

I coprifusibili possono essere reperiti presso il centro assistenza/ricambi Hoshizaki.

I fusibili devono essere di 10 A e con approvazione BS 1362.

7. COLLEGAMENTO ALL'APPROVVIGIONAMENTO DELL'ACQUA E COLLEGAMENTO DI SCARICO

⚠AVVERTENZA

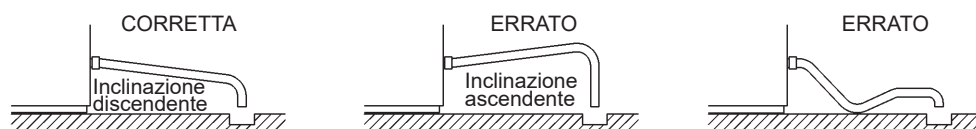
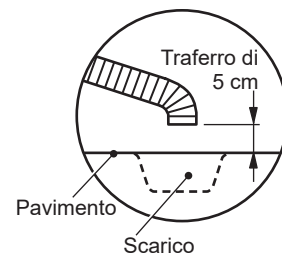


Collegare solo all'approvvigionamento dell'acqua potabile fredda.

- * I collegamenti all'approvvigionamento dell'acqua di rete devono essere eseguiti in conformità ai requisiti vigenti delle norme relative all'approvvigionamento dell'acqua e ai raccordi dell'acqua.
- * L'acqua utilizzata per la fabbricazione del ghiaccio deve essere potabile. In caso di incrostazioni dovute alla qualità dell'acqua, si consiglia di installare un addolcitore o filtro esterno. Contattare l'esperto in trattamenti idrici locale o un agente dell'assistenza Hoshizaki.
- * La pressione dell'approvvigionamento dell'acqua deve essere 0,07 MPa (0,7 bar) come minimo e 0,8 MPa (8 bar) come massimo. Se la pressione è superiore a 0,8 MPa (8 bar), utilizzare una valvola limitatrice di pressione appropriata. **NON** strozzare il rubinetto dell'acqua.
- * In alcune località, per eseguire lavori idraulici sono necessari un permesso specifico nonché l'assistenza di un idraulico qualificato.
- * La macchina è caratterizzata da un flusso di drenaggio a gravità: assicurarsi che il tubo di scarico abbia una pendenza corretta.

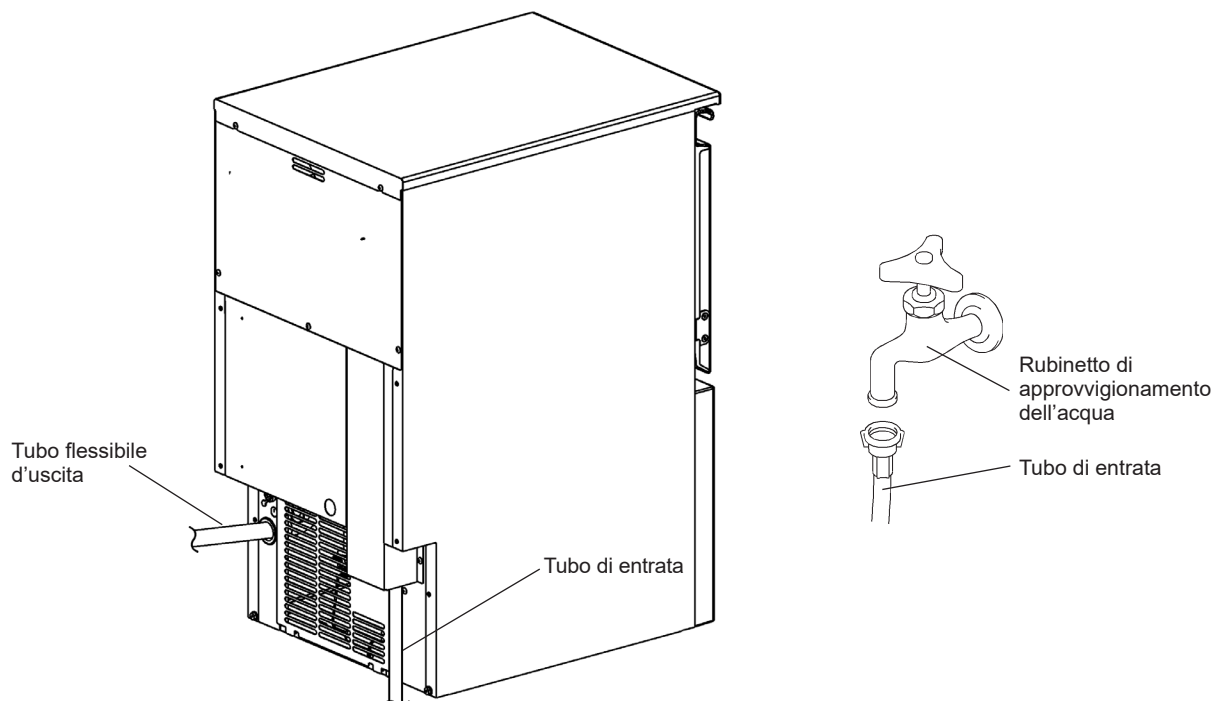
* I circuiti di scarico non devono essere installati direttamente nella rete fognaria. È necessario lasciare un traferro verticale di almeno 5 cm tra l'estremità dei tubi di scarico della macchina e lo scarico a pavimento.

* Per ovviare al riflusso nel deposito di raccolta cubetti, sistemare il tubo di uscita come mostrato nella figura.



1) Collegare l'estremità libera del tubo flessibile di entrata al rubinetto dell'acqua, verificando che la rondella sia posizionata correttamente. Serrare a mano quanto basta a evitare perdite. È consigliabile per precauzione inserire una valvola di arresto in posizione facilmente accessibile.

2) Il tubo di uscita può essere tagliato secondo la lunghezza necessaria per adattarsi alla posizione dello scarico principale.



II. ISTRUZIONI DI FUNZIONAMENTO

AVVISO

Tutti i componenti sono preimpostati dalla casa costruttrice. Regolazioni non corrette possono provocare guasti.

Se la macchina viene spenta, attendere almeno 3 minuti prima di avviarla di nuovo onde evitare di danneggiare il compressore.

▲ IGIENE

La macchina serve a produrre cubetti di ghiaccio commestibili. Per mantenere la macchina in buone condizioni igieniche, osservare le regole che seguono:

- * Lavarsi le mani prima di prelevare i cubetti. Utilizzare il cucchiaino di presa in materiale plastico (accessorio).
- * Il deposito di raccolta cubetti è solo per i cubetti. Non conservare nient'altro nel deposito di raccolta e non utilizzare apparecchi elettrici nel deposito di raccolta.
- * Pulire il deposito di raccolta cubetti prima dell'uso (vedi "III. 1. PULIZIA").
- * Mantenere pulito il cucchiaino di presa. A tal fine, utilizzare un detergente neutro e sciacquare abbondantemente.
- * Chiudere il portello dopo aver prelevato i cubetti, per evitare che nel deposito di raccolta cubetti entrino impurità, polvere o insetti.

Pannello di comando

[1] Display

run: Produzione di ghiaccio
oFF: Arresto
FUL: Deposito pieno
cln: Pulizia

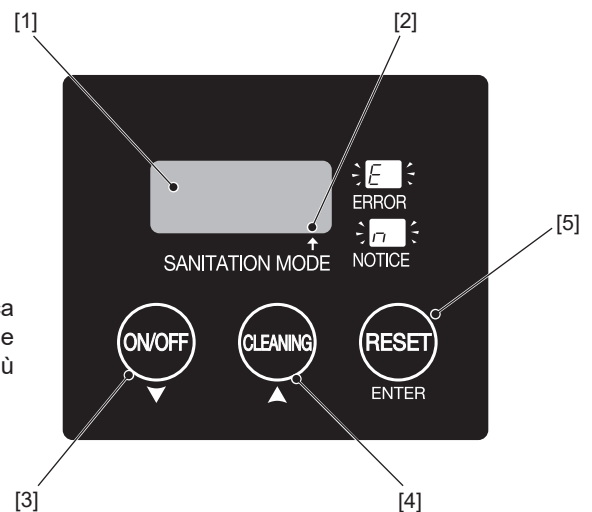
[2] Punto

Spento: Modalità normale
Acceso: Modalità disinfezione (*)
* Dopo 4 ore consecutive di inattività, la macchina pulisce e rinfresca automaticamente il circuito dell'acqua per evitare la proliferazione batterica e mantenere il circuito pulito e sanificato per un periodo più lungo.

[3] Pulsante ON/OFF / Pulsante Giù

[4] Pulsante pulizia / Pulsante Su

[5] Pulsante RESET / Pulsante Invio



1. AVVIO

L'installatore di solito predispose la macchina per l'avvio della produzione automatica di cubetti. Per garantire il funzionamento continuo, accertare che:

- * il rubinetto di approvvigionamento dell'acqua sia aperto,
- * la macchina sia collegata all'alimentazione, e
- * sul display sia visualizzato "run".

2. IMPOSTAZIONI UTENTE

Le impostazioni elencate di seguito possono essere regolate dall'utente.

- 1) Premere e tenere premuto per 3 secondi il pulsante RESET per accedere alla modalità impostazioni utente. Sul display compare uno dei codici relativi alle impostazioni.
- 2) Premere il pulsante Su o il pulsante Giù finché sul display non compare il codice di impostazione desiderato. Quindi premere il pulsante Invio.
- 3) Premere il pulsante Su o il pulsante Giù per regolare l'impostazione. Quindi premere il pulsante Invio.
- 4) Dopo avere regolato le impostazioni, premere il pulsante Su o il pulsante Giù finché sul display non compare "END". Quindi premere il pulsante Invio per uscire dalla modalità impostazioni utente.

Codice	Funzione	Descrizione	Impostazione predefinita
U.04	Frequenza di scarico	0: nessuno scarico 1: dopo ogni ciclo 2: dopo 2 cicli 5: dopo 5 cicli 10: dopo 10 cicli 20: dopo 20 cicli	10: dopo 10 cicli
U.44	Frequenza della pulizia automatica dell'acqua	0: nessuna pulizia automatica dell'acqua 5: dopo 5 cicli 10: dopo 10 cicli 15: dopo 15 cicli 20: dopo 20 cicli 40: dopo 40 cicli 60: dopo 60 cicli	20: dopo 20 cicli
U.49	Numero di dosi di prodotto chimico (*)	Quando viene raggiunto il numero di dosi di prodotto chimico impostato, compare il codice di avviso "n93" a indicare che il prodotto chimico è esaurito.	KM-40: 15 volte KM-60: 13 volte KM-80: 12 volte KM-140: 16 volte
U.50	Frequenza di pulizia chimica completamente automatizzata (*)	Avvio della pulizia chimica completamente automatizzata con la frequenza impostata. Regolabile su un numero di cicli compreso tra 400 e 1.000 (con incrementi di 100 cicli) es. 40 = 400 cicli	–
U.51	Tempo di irraggiamento LED UV (**)	Irraggiamento LED UV per un periodo impostato. Nessuno o regolabile da 10 a 30 minuti (con incrementi di 1 minuto)	–
U.52	Frequenza di irraggiamento LED UV (**)	Irraggiamento LED UV durante il ciclo di congelamento dopo un periodo impostato. Regolabile da 30 a 300 minuti (con incrementi di 10 minuti)	120 minuti
U.53	Modalità di funzionamento	nor: Modalità normale cln: Modalità disinfezione (Dopo 4 ore consecutive di inattività, il circuito dell'acqua viene pulito e rinfrescato automaticamente per evitare la proliferazione batterica.)	nor: Modalità normale
U.54	Modalità pulizia chimica completamente automatizzata (*)	Quando è selezionato "cln" (modalità disinfezione), l'unità esegue un ciclo di pulizia chimica completamente automatizzata utilizzando il kit di pulizia automatica (opzionale) indipendentemente dalla frequenza impostata al codice U.50.	–
U.55	Reimpostazione del numero di dosi di prodotto chimico (*)	Reimpostazione del codice di avviso "n93" (prodotto chimico esaurito) e del numero di dosi di prodotto chimico.	–
U.56	Ripristino delle impostazioni	Ripristino di tutte le impostazioni predefinite.	–
U.58	Arresto forzato	Spegnimento dell'unità in qualsiasi condizione.	–
U.59	Scarico forzato	Spegnimento e scarico dell'unità in qualsiasi condizione.	–
U.60	Avviso (es. manutenzione)	Il codice di avviso "n99" viene visualizzato dopo il periodo impostato. Regolabile da 0 (nessuno) a 6.000 ore (con incrementi di 100 ore)	0: Nessuno
U.68	Avviso di reimpostazione	Reimpostazione del conteggio per l'avviso U.60.	–

* Applicabile solo al modello con pulizia completamente automatizzata (-W) o quando viene utilizzato il kit di pulizia automatica (opzionale).

** Applicabile solo quando viene utilizzato il LED UV (opzionale).

3. PREPARATIVI PER LA CONSERVAZIONE A LUNGO TERMINE DELLA MACCHINA

AVVISO

Questa macchina non funziona a temperature inferiori allo zero. Scaricare la macchina quando la temperatura dell'aria è al di sotto dello zero, al fine di prevenire eventuali danni al circuito di approvvigionamento dell'acqua.

▲ IGIENE

Se la macchina rimane spenta per due o più giorni, scaricarla per evitare la contaminazione del circuito dell'acqua.

- 1) Premere il pulsante ON/OFF. Sul display viene visualizzato "oFF".
- 2) Premere e tenere premuto per 3 secondi il pulsante RESET per accedere alla modalità impostazioni utente.
- 3) Impostare "U.59" su "1" per scaricare la macchina.
- 4) Staccare la spina o disinserire l'alimentazione della macchina.
- 5) Chiudere il rubinetto di approvvigionamento dell'acqua e rimuovere il tubo flessibile di entrata.
- 6) Rimuovere tutti i cubetti dal deposito di raccolta cubetti, quindi pulire il deposito di raccolta.
- 7) Eseguire la pulizia chimica del circuito dell'acqua secondo quanto riportato al punto "III. 1. [e] Sistema dell'acqua per la produzione di ghiaccio".
- 8) Prima di riprendere a utilizzare la macchina, pulire nuovamente il circuito dell'acqua con acqua pulita o con una soluzione chimica secondo quanto riportato al punto "III. 1. [e] Sistema dell'acqua per la produzione di ghiaccio".

III. MANUTENZIONE

1. PULIZIA

▲AVVERTENZA
Disinserire l'alimentazione elettrica della macchina, quindi eseguire le operazioni di pulizia e di manutenzione.
Non pulire la macchina mediante getto d'acqua.
▲ATTENZIONE
Se si utilizza un detergente neutro o ipoclorito di sodio, leggere attentamente e comprendere le istruzioni fornite al fine di evitare possibili problemi di salute.
AVVISO
Almeno due volte l'anno far pulire e disinfettare il sistema dell'acqua della macchina da personale di servizio qualificato e controllare e pulire il condensatore almeno una volta all'anno.
Per evitare danni, non pulire le parti in plastica con acqua ad una temperatura superiore a 40 °C o in lavastoviglie.
Non utilizzare alcool per pulire e disinfettare la macchina. Può provocare crepe nelle parti di plastica.
▲IGIENE
Per garantire gli effetti e la qualità igienica delle soluzioni detergenti e igienizzanti, prepararle appena prima del loro utilizzo.

[a] Esterno della macchina e del deposito di raccolta cubetti

Utilizzando un panno morbido e pulito, pulire la parte esterna della macchina almeno una volta alla settimana. Per eliminare grasso o impurità, utilizzare un panno inumidito con detergente neutro.

[b] Pulizia e disinfezione giornaliera del cucchiaino di presa e della maniglia del deposito di raccolta cubetti

- 1) Una miscela di 3 litri d'acqua con 11 ml al 5,25% di soluzione di ipoclorito di sodio in un contenitore adatto o la consigliata soluzione disinfettante Hoshizaki, come da istruzioni.
- 2) Immergere per più di 3 minuti il cucchiaino di presa nella soluzione. Risciacquare abbondantemente e agitare per rimuovere il liquido in eccesso.

Nota: se si utilizza un panno per asciugare, si rischia una nuova contaminazione.

- 3) Utilizzare una soluzione detergente neutra per lavare la maniglia del deposito di raccolta. Sciacquare abbondantemente.
- 4) Inumidire un panno pulito con la soluzione disinfettante e pulire la maniglia. Per risciacquare e asciugare, utilizzare acqua e un panno pulito.

[c] Pulizia e disinfezione dell'interno del deposito di raccolta cubetti (settimanale)

1) Aprire il portello del deposito di raccolta cubetti e togliere tutti i cubetti di ghiaccio.

2) Rimuovere il supporto del cucchiaino di presa dal deflettore.

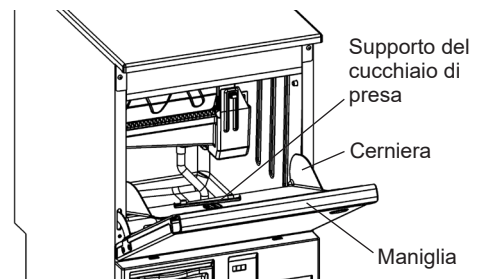
3) Lavare la camera del deposito e il supporto del cucchiaino di presa con una soluzione detergente neutra non abrasiva. Sciacquare abbondantemente.

4) Inumidire un panno pulito con la soluzione detergente neutra, quindi pulire entrambi i lati del deflettore e la superficie interna del portello. Eliminare la soluzione detergente con un panno pulito e umido.

5) Mescolare 3 litri di acqua con 11 ml di soluzione di ipoclorito di sodio al 5,25% in un contenitore adatto, oppure la soluzione disinfettante Hoshizaki consigliata, come da istruzioni.

6) Inumidire una spugna pulita o un panno pulito con la soluzione e strofinare la camera, il portello, il deflettore e il supporto del cucchiaino di presa.

Nota: pulire tutte le superfici della guarnizione del portello, che si sporca facilmente. La guarnizione può essere rimossa agevolmente per la pulizia.

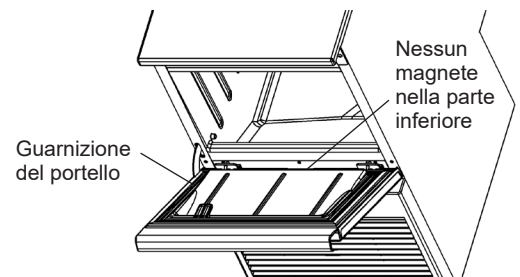


IMPORTANTE

La guarnizione del portello è dotata di un magnete nella parte superiore e su entrambi i lati. Per garantire la tenuta all'aria del portello, rimontare la guarnizione nella posizione corretta.

7) La soluzione rimanente può essere utilizzata per disinfettare gli utensili.

Nota: dopo la disinfezione non strofinare né risciacquare, ma lasciare asciugare all'aria.



[d] Filtro dell'aria

I filtri dell'aria a maglia di plastica servono a filtrare l'aria dalle impurità e dalla polvere, proteggendo il condensatore da eventuali intasamenti. In caso di ostruzione dei filtri, le prestazioni della macchina si riducono. Smontare i filtri dell'aria e pulirli almeno due volte al mese:

1) Rimuovere il filtro dell'aria.

Nota: non introdurre le mani all'interno del vano della macchina.

2) Pulire il filtro dell'aria per mezzo di un aspirapolvere. Se il filtro è particolarmente intasato, lavarlo con acqua calda e una soluzione detergente neutra.

3) Risciacquare e asciugare con cura il filtro dell'aria.

AVVISO

Al termine della pulizia, assicurarsi di sistemare il filtro dell'aria nella giusta posizione.

[e] Sistema dell'acqua per la produzione di ghiaccio

Pulizia dell'acqua

Pulire il circuito dell'acqua con acqua pulita, automaticamente o manualmente.

Pulizia automatica dell'acqua: regolare l'impostazione utente "U.44" sulla frequenza desiderata (vedere "II. 2. IMPOSTAZIONI UTENTE").

Pulizia manuale dell'acqua: premere il pulsante pulizia quando sul display non è visualizzato "oFF".

Al termine della pulizia del circuito dell'acqua, la macchina riprende a produrre ghiaccio automaticamente.

Pulizia chimica automatizzata

È possibile pulire efficacemente il circuito dell'acqua mediante il dosaggio manuale di un prodotto chimico.

⚠ATTENZIONE

Indossare dispositivi di protezione (es. occhiali protettivi) quando si utilizza la soluzione di acido citrico o di ipoclorito di sodio. La soluzione potrebbe schizzare fuori e venire a contatto con gli occhi. Se ciò dovesse accadere, lavare gli occhi con acqua pulita.

AVVISO

Se la soluzione di acido citrico gocciola sui componenti in lamiera, rimuoverla accuratamente per evitare la formazione di ruggine.

1) Preparare una delle soluzioni seguenti in funzione dello scopo.

Pulizia (decalcificazione): 3,5 litri di soluzione di acido citrico al 2%

Disinfezione: 3,5 litri di acqua mescolati con 13 ml di soluzione di ipoclorito di sodio al 5,25%

2) Aprire il portello e rimuovere tutto il ghiaccio dal deposito di raccolta cubetti. Verificare che il divisorio sia fissato nella posizione corretta come mostrato nella figura. In caso contrario la soluzione potrebbe schizzare sul ghiaccio nel deposito di raccolta.

3) Tenere premuto il pulsante pulizia per 3 secondi. Sul display lampeggia la modalità corrente. Per esempio, durante la produzione di ghiaccio la dicitura "run" lampeggia sul display.

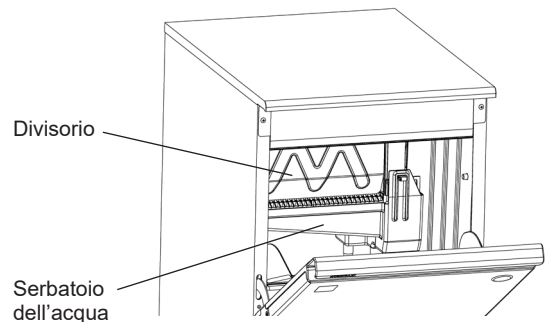
4) Quando sul display viene visualizzato "cIn", versare la quantità di soluzione indicata di seguito nel serbatoio dell'acqua, facendo attenzione a non farla traboccare.

KM-40C-HC: 2,0 litri

KM-60C-HC: 2,5 litri

KM-80C-HC: 3,0 litri

KM-140C-HC: 3,5 litri



5) Risciacquare la camera del deposito con acqua pulita per rimuovere eventuali residui di soluzione dal deposito di raccolta cubetti. Quindi chiudere il portello.

6) Premere il pulsante di pulizia (o attendere per 15 minuti) per avviare la pulizia chimica automatizzata.

7) Una volta completata la pulizia l'unità ritorna allo stato iniziale.

⚠AVVERTENZA

Se il ghiaccio prodotto dopo la pulizia chimica automatizzata ha un cattivo sapore, interrompere immediatamente l'utilizzo della macchina e rivolgersi all'assistenza.

Pulizia chimica completamente automatizzata (*)

* Disponibile solo per il modello con pulizia completamente automatizzata (-W) o quando viene utilizzato il kit di pulizia automatica (opzionale).

Il kit di pulizia automatica applica automaticamente un prodotto chimico (1.250 ml di soluzione di acido citrico al 40%) e decalcifica il circuito dell'acqua con la frequenza impostata. Eseguire le impostazioni necessarie secondo quanto riportato al punto "II. 2. IMPOSTAZIONI UTENTE".

Per maggiori informazioni, consultare il manuale di istruzioni del kit di pulizia automatica ACK.

2. PRIMA DI RIVOLGERSI ALL'ASSISTENZA

⚠AVVERTENZA

Non danneggiare il circuito di refrigerazione.

Se la macchina non funziona correttamente o non funziona affatto, prima di rivolgersi all'assistenza controllare che:

* la macchina riceva l'energia elettrica;

* l'acqua sia aperta.

* il filtro dell'aria sia pulito.

Se il problema persiste, disattivare l'alimentazione, attivarla nuovamente e premere il pulsante RESET.

Se il problema persiste ancora, controllare se il codice di errore "E" è visualizzato sul display o se il punto al centro è acceso, e contattare il centro assistenza Hoshizaki locale.

Se viene visualizzato uno dei codici di avviso sotto indicati, attenersi alle istruzioni riportate di seguito.

Codice	Descrizione
n92	Temperatura anormalmente elevata. Pulire il filtro dell'aria. Verificare la corretta installazione secondo quanto riportato al punto "I. 4. UBICAZIONE".
n93	Prodotto chimico esaurito quando si utilizza il kit di pulizia automatica (opzionale). Sostituire o riempire il contenitore del prodotto chimico, quindi ripristinare l'impostazione utente "U.55" (vedere il punto "II. 2. IMPOSTAZIONI UTENTE"). Per modificare la frequenza dell'avviso, usare l'impostazione utente "U.49".
n99	Il periodo specificato mediante l'impostazione utente "U.60" (vedere "II. 2. IMPOSTAZIONI UTENTE") è trascorso ed è necessario eseguire la manutenzione. Al termine della manutenzione premere il pulsante RESET.

Per ulteriori assistenza e consulenza, contattare il locale centro di assistenza Hoshizaki.

3. SMALTIMENTO

Osservare le normative locali in materia di smaltimento della macchina e del gas refrigerante. Prima di smaltire la macchina, rimuovere il portello per evitare che i bambini vi possano rimanere intrappolati.

Smaltimento corretto del prodotto:

Questo simbolo indica che il prodotto non deve essere smaltito con altri rifiuti domestici all'interno dell'UE. Per evitare possibili danni all'ambiente o alla salute derivanti dallo smaltimento incontrollato dei rifiuti, riciclare il prodotto in modo responsabile per promuovere il riutilizzo sostenibile delle risorse materiali. Per restituire la macchina usata, utilizzare i sistemi di restituzione e raccolta o contattare il rivenditore presso il quale è stato acquistato il prodotto. Il prodotto sarà ritirato in vista di un riciclaggio sicuro per l'ambiente.



▲AVVERTENZA



Rischio di incendio

L'agente schiumogeno isolante utilizzato per il corpo della macchina contiene gas ciclopentano infiammabile. Ciò premesso, smaltire il prodotto correttamente.

4. GARANZIA

Hoshizaki garantisce al proprietario o utente originario che tutti i prodotti con marchio Hoshizaki sono privi di difetti di costruzione e/o inerenti ai materiali per l'intera durata del "periodo di garanzia". La garanzia è valida per due anni dalla data di installazione. La responsabilità di Hoshizaki secondo le condizioni della garanzia è limitata ed esclude la manutenzione di routine, la pulizia, la manutenzione essenziale e/o le riparazioni che si rendano necessarie in conseguenza di uso scorretto e di installazione non conforme alle indicazioni Hoshizaki.

Le riparazioni in garanzia devono essere eseguite da un rivenditore o da un centro di assistenza autorizzato Hoshizaki, che utilizzino componenti originali Hoshizaki.

Per ottenere informazioni complete in merito alla garanzia e al centro di assistenza autorizzato, si prega di contattare il proprio rivenditore/fornitore di fiducia, oppure l'ufficio assistenza Hoshizaki più vicino.

Europa, Medio Oriente, Africa

Hoshizaki UK - Regno Unito, Irlanda
 TEL: +44 845 456 0585
 FAX: +44 132 283 8331
 uksales@hoshizaki.uk

Hoshizaki Middle East - Medio Oriente
 TEL: +971 48 876 612
 FAX: +971 48 876 613
 sales@hoshizaki.ae

Hoshizaki Deutschland - Germania, Svizzera, Austria, Polonia, Repubblica Ceca, Slovacchia
 TEL: +49 5121 697370
 FAX: +49 5121 6973719
 vertrieb@hoshizaki.de

Hoshizaki Benelux - Paesi Bassi, Belgio, Lussemburgo
 TEL: +31 85 018 83 70
 info@hoshizaki.nl

ITALIANO

Hoshizaki France - Francia
 TEL: +33 1 48 63 93 80
 FAX: +33 1 48 63 93 88
 info@hoshizaki.fr

Hoshizaki Italia - Italia
 TEL: +39 344 0616467
 TEL: +39 348 3022156
 info@hoshizaki.it

Hoshizaki Iberia - Spagna, Portogallo
 TEL: +34 93 478 09 52
 FAX: +34 93 478 08 00
 info@hoshizaki.es

Hoshizaki Europe B.V. - tutti gli altri paesi di Europa e Africa
 TEL: +31 20 6918499
 FAX: +31 20 6918768
 sales@hoshizaki.nl

SPECIFICHE

Modello	KM-40C-HC	KM-60C-HC	KM-80C-HC	KM-140C+HC
Tipo	Raffreddamento ad aria, ghiaccio a mezzaluna	Raffreddamento ad aria, ghiaccio a mezzaluna	Raffreddamento ad aria, ghiaccio a mezzaluna	Raffreddamento ad aria, ghiaccio a mezzaluna
Alimentazione elettrica	Monofase 220-240V 50 Hz	Monofase 220-240V 50 Hz	Monofase 220-240V 50 Hz	Monofase 220-240V 50 Hz
Consumi elettrici	209 W	242 W	299 W	564 W
Produzione cubetti ogni 24 ore	43 kg (temp. ambiente 10 °C, temp. acqua 10 °C)	60 kg (temp. ambiente 10 °C, temp. acqua 10 °C)	75 kg (temp. ambiente 10 °C, temp. acqua 10 °C)	135 kg (temp. ambiente 10 °C, temp. acqua 10 °C)
Dimensioni	452 mm (L) x 610 mm (P) x 988 mm (A)	605 mm (L) x 610 mm (P) x 988 mm (A)	605 mm (L) x 712 mm (P) x 988 mm (A)	630 mm (L) x 719 mm (P) x 1333 mm (A)
Refrigerante	R290, 68 g	R290, 90 g	R290, 147 g	R290, 110 g
Agente erogazione schiuma isolante	Senza HFC	Senza HFC	Senza HFC	Senza HFC
Peso	Netto: 39 kg (lordo: 49 kg)	Netto: 45 kg (lordo: 57 kg)	Netto: 50 kg (lordo: 63 kg)	Netto: 69 kg (lordo: 81 kg)
Temp. ambiente	7 - 38 °C	7 - 38 °C	7 - 38 °C	7 - 38 °C
Temp. approvvigionamento dell'acqua	7 - 32 °C	7 - 32 °C	7 - 32 °C	7 - 32 °C
Pressione approvvigionamento dell'acqua	0,07 - 0,8 MPa (0,7 - 8 bar)	0,07 - 0,8 MPa (0,7 - 8 bar)	0,07 - 0,8 MPa (0,7 - 8 bar)	0,07 - 0,8 MPa (0,7 - 8 bar)
Gamma di tensione	Tensione nominale ± 6%	Tensione nominale ± 6%	Tensione nominale ± 6%	Tensione nominale ± 6%

Modello	KM-40C-HC-W	KM-60C-HC-W	KM-80C-HC-W	KM-140C-HC-W
Tipo	Raffreddamento ad aria, ghiaccio a mezzaluna, pulizia completamente automatizzata	Raffreddamento ad aria, ghiaccio a mezzaluna, pulizia completamente automatizzata	Raffreddamento ad aria, ghiaccio a mezzaluna, pulizia completamente automatizzata	Raffreddamento ad aria, ghiaccio a mezzaluna, pulizia completamente automatizzata
Alimentazione elettrica	Monofase 220-240V 50 Hz	Monofase 220-240V 50 Hz	Monofase 220-240V 50 Hz	Monofase 220-240V 50 Hz
Consumi elettrici	209 W	242 W	299 W	564 W
Produzione cubetti ogni 24 ore	43 kg (temp. ambiente 10 °C, temp. acqua 10 °C)	60 kg (temp. ambiente 10 °C, temp. acqua 10 °C)	75 kg (temp. ambiente 10 °C, temp. acqua 10 °C)	135 kg (temp. ambiente 10 °C, temp. acqua 10 °C)
Dimensioni	452 mm (L) x 610 mm (P) x 988 mm (A)	605 mm (L) x 610 mm (P) x 988 mm (A)	605 mm (L) x 712 mm (P) x 988 mm (A)	630 mm (L) x 719 mm (P) x 1333 mm (A)
Refrigerante	R290, 68 g	R290, 90 g	R290, 147 g	R290, 110 g
Agente erogazione schiuma isolante	Senza HFC	Senza HFC	Senza HFC	Senza HFC
Peso	Netto: 41 kg (lordo: 51 kg)	Netto: 47 kg (lordo: 59 kg)	Netto: 52 kg (lordo: 65 kg)	Netto: 71 kg (lordo: 83 kg)
Temp. ambiente	7 - 38 °C	7 - 38 °C	7 - 38 °C	7 - 38 °C
Temp. approvvigionamento dell'acqua	7 - 32 °C	7 - 32 °C	7 - 32 °C	7 - 32 °C
Pressione approvvigionamento dell'acqua	0,07 - 0,8 MPa (0,7 - 8 bar)	0,07 - 0,8 MPa (0,7 - 8 bar)	0,07 - 0,8 MPa (0,7 - 8 bar)	0,07 - 0,8 MPa (0,7 - 8 bar)
Gamma di tensione	Tensione nominale ± 6%	Tensione nominale ± 6%	Tensione nominale ± 6%	Tensione nominale ± 6%

VIGTIGE SIKKERHEDSOPLYSNINGER

I denne vejledning vises bemærkninger, der gør dig opmærksom på situationer, der kan medføre dødsfald, alvorlig tilskadekomst eller beskadigelse af enheden.

▲ADVARSEL	Angiver en farlig situation, som kan medføre dødsfald eller alvorlig tilskadekomst, hvis den ikke undgås.
▲FORSIGTIG	Angiver en farlig situation, som kan medføre mindre eller moderat tilskadekomst, hvis den ikke undgås.
BEMÆRK	Angiver en farlig situation, som kan medføre beskadigelse af enheden, hvis den ikke undgås.
▲HYGIEJNE	Angiver vigtige forholdsregler vedrørende hygiejne og fødevarerikkerhed.
VIGTIGT	Angiver vigtige oplysninger om brug og vedligeholdelse af enheden.

Denne isterningmaskine anvender HFC-frit kølemiddel (propan), der ikke nedbryder ozonlaget og er et miljømæssigt bæredygtigt materiale, der bidrager meget lidt til den globale opvarmning.

▲ADVARSEL	
Denne isterningmaskine indeholder brændbart kølemiddel i køleenheden. Installation, håndtering, service og bortskaffelse må derfor kun udføres af autoriserede teknikere.	
Kølevæsken i denne isterningmaskine er brændbar og forseglet i kølesystemet. Selvom kølemidlet ikke lækker under normalt brug, skal der udvises den største forsigtighed ved håndtering af isterningmaskinen, så systemet ikke beskadiges.	
Hvis kølesystemet ved et uheld beskadiges med kølemiddellækage til følge:	
<ul style="list-style-type: none"> * Skab ikke en antændelseskilde i området. * Brug ikke elektriske kontakter eller stik i området. * Brug ikke åben ild. * Udluft omgående området ved at åbne døre og/eller vinduer. * Tilkald en servicetekniker. 	
VIGTIGT	
Dette hæfte er en integreret og vigtig del af produktet og skal opbevares af brugeren.	
Læs omhyggeligt anvisningerne og advarslerne heri, da de giver installatøren/brugeren vigtige oplysninger om korrekt installation og vedvarende sikker brug og vedligeholdelse af produktet.	
Gem dette hæfte til eventuel senere brug.	

⚠ADVARSEL

Dette er en isterningmaskine til erhvervsbrug, som kun må bruges til det formål, den er udviklet specielt til.

Anden form for brug anses for ukorrekt og derfor farlig. Producenten kan ikke gøres ansvarlig for eventuelle skader forårsaget af forkert, ukorrekt eller urimelig brug.

Installation og om nødvendigt flytning skal udføres af fagfolk i overensstemmelse med gældende lov og jf. producentens anvisninger.

Ventilationsåbninger i udstyrets hus eller i den indbyggede struktur må ikke blokeres.

Brug ikke mekaniske anordninger eller andre midler til at fremskynde optøningsprocessen ud over dem, der er anbefalet af producenten.

Ved brug af elektrisk udstyr skal visse grundlæggende regler overholdes. Især:

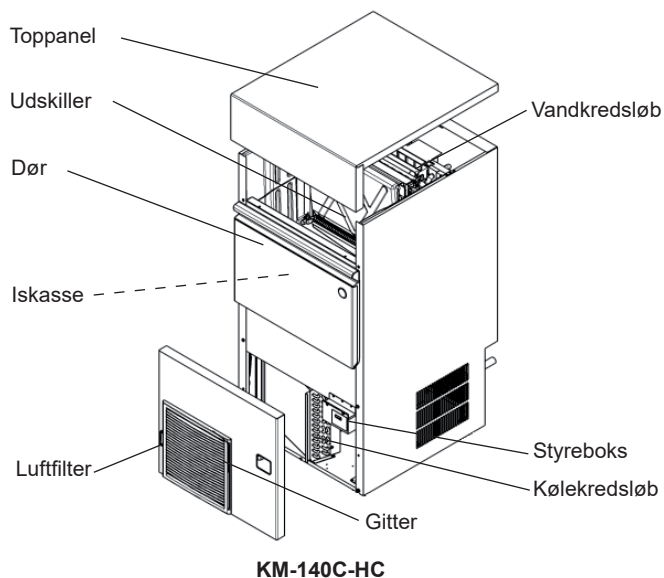
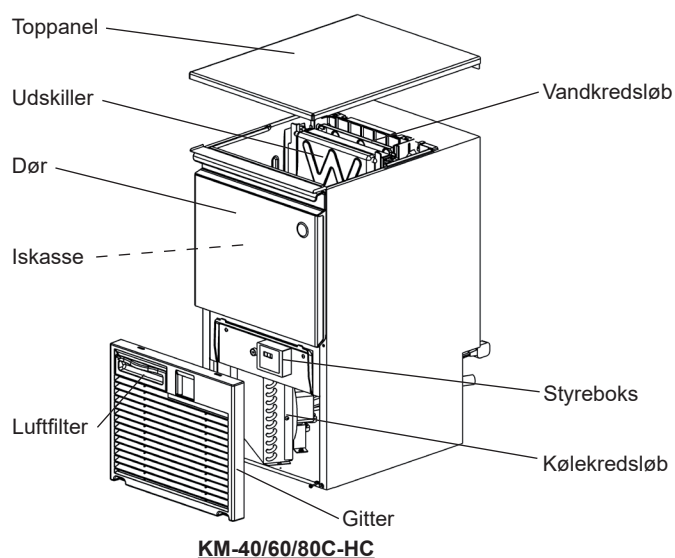
- * Høj luftfugtighed og generel fugt øger risikoen for kortslutning og elektrisk stød. Tag isterningmaskinens stik ud af stikkontakten, hvis du er i tvivl.
- * Pas på ikke at ødelægge netledningen, og træk ikke i den for at tage isterningmaskinens stik ud af stikkontakten.
- * Hvis netledningen beskadiges, skal den udskiftes med en ny, der kan fås hos Hoshizaki reservedels-/servicecentre.
- * Rør ikke ved de elektriske dele, og betjen ikke kontakterne med fugtige hænder.
- * Dette udstyr må ikke bruges af børn eller personer med nedsatte fysiske, sensoriske eller psykiske evner eller mangelfuld erfaring med eller viden om udstyret. Udstyret kan dog anvendes af børn over 8 år og personer med nedsatte fysiske, sensoriske eller psykiske evner eller mangelfuld erfaring eller viden om udstyret, hvis de er under opsyn eller har fået vejledning vedrørende brug af udstyret på en sikker måde og forstår de involverede risici.
- * Børn må ikke lege med udstyret.
- * Børn må ikke udføre rengøring og vedligeholdelse uden overvågning.
- * Forsøg ikke at modificere isterningmaskinen. Kun kvalificeret personale må adskille eller reparere udstyret.

Pas på, at netledningen ikke sidder fast eller beskadiges, når apparatet placeres.

Placer ikke flere bærbare stikkontakter eller bærbare strømforsyninger på bagsiden af apparatet.

I. INSTALLATIONSANVISNINGER

1. OPBYGNING



2. TILBEHØR

	KM-40C-HC KM-60C-HC KM-80C-HC	KM-140C-HC	KM-40C-HC-W KM-60C-HC-W KM-80C-HC-W	KM-140C-HC-W
Betjeningsvejledning	1	1	1	1
Skovl	1	1	1	1
Ben	4	4	4	4
Strømforsyningsledning (kontinental)	1	1	1	1
Strømforsyningsledning (Storbritannien)	1	1	1	1
Rundhovedskrue med skive (M4 x 30) (fastgørelse af gitter)	2	-	-	-
Tommelskrue (fastgørelse af gitter)	-	-	2	1
afstandsstykke (M4) (fastgørelse af gitter)	-	-	2	-
Rengøringspakke	-	-	1	1



3. UDPAKNING

⚠ ADVARSEL

Hold børn uden for rækkevidde af emballagen (plastposer og polystyrenskum), da dette er potentielle farekilder.

⚠ FORSIGTIG

Undlad at løfte eller flytte pakken vha. forsendelsesbåndene.

Fjern gitteret, og tag fat i enhedens bund, når den flyttes ved håndkraft. Hold ikke i det øverste panel eller døren. Disse dele kan falde af og forårsage tilskadekomst.

Bær altid beskyttelseshandsker, når enheden bæres.

Vær altid to personer til at håndtere pakken eller den udpakkede enhed, så tilskadekomst undgås.

BEMÆRK

Fjern kassen, tape og emballage. Hvis der efterlades emballage i isterningmaskinen, fungerer den ikke korrekt.

- 1) Når emballagen er fjernet, skal det kontrolleres, at isterningmaskinen er i korrekt stand. Undlad at bruge isterningmaskinen, hvis du er i tvivl, og rådfør dig med fagfolk.
- 2) Fjern forsendelsestapen, der holder døren og udskilleren fast.
- 3) Fjern plastikbeskyttelsesfilmen fra ydersiden. Hvis isterningmaskinen har stået i sol eller varme, skal du fjerne filmen, når isterningmaskinen er kølet af.
- 4) Fjern pakken med tilbehør. Kontroller indholdet i henhold til "2. TILBEHØR".

4. PLACERING

▲ADVARSEL

Isterningmaskinen er ikke beregnet til udendørs brug.

Isterningmaskinen må ikke placeres i nærheden af ovne, grill eller andet udstyr, der producerer høj varme.

Dette udstyr er ikke egnet til installation i et område, hvor der anvendes en vandstråle.

▲FORSIGTIG

Isterningmaskinen skal placeres på et fast og plant underlag.

BEMÆRK

Anbring ikke genstande oven på isterningmaskinen eller foran gitteret.

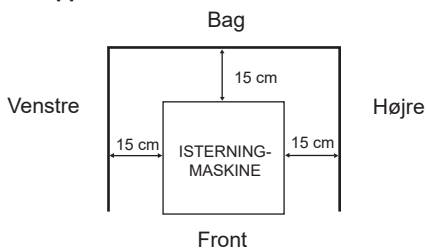
VIGTIGT

Den normale, omgivende temperatur ved brug skal ligge mellem 7°C og 38°C. Den normale vandtemperatur ved brug skal ligge mellem 7°C og 32°C. Hvis isterningmaskinen bruges i længere tid uden for disse temperaturområder, kan det påvirke produktionskapaciteten.

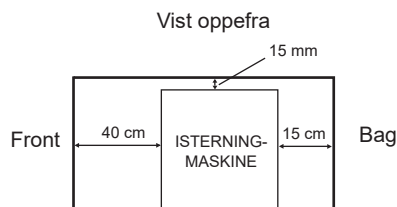
Sørg for, at der er frirum som angivet herunder med henblik på korrekt luftcirkulation og let adgang til vedligeholdelse og/eller service, såfremt det bliver nødvendigt.

[KM-40/60/80C-HC(-W)]

Vist oppefra

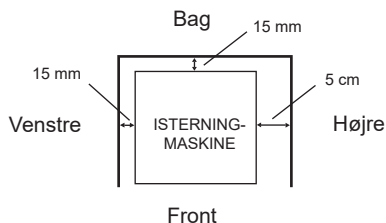


Vist fra siden

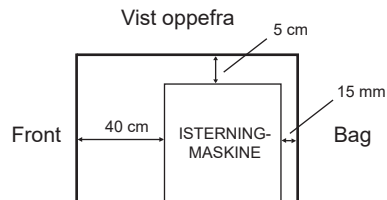


[KM-140C-HC(-W)]

Vist oppefra



Vist fra siden



I nogle miljøer med høj luftfugtighed kan der dannes kondens inde i maskinen, som kan dryppe ned på gulvet. Opstil ikke isterningmaskinen på steder, hvor gulvet kan tage skade af vand.

Undgå at udsætte udstyret for direkte sollys i lang tid.

5. INSTALLATION

▲FORSIGTIG

Forkert installation kan medføre skader på mennesker, dyr eller genstande. Producenten kan ikke gøres ansvarlig for sådanne skader.

- * Placer isterningmaskinen på det valgte, permanente sted.
- * Apparatet skal placeres, så der er adgang til stikket.
- * Nivellér isterningmaskinen både i retning højre-venstre og frem-tilbage ved at stille på benene.

6. ELEKTRISKE FORBINDELSER

▲ADVARSEL

DETTE UDSTYR SKAL JORDFORBINDES

Denne isterningmaskine kræver en jordforbindelse, der opfylder nationale og lokale regler vedrørende elektrisk udstyr.

Installer en korrekt jordledning til isterningmaskinen for at undgå, at personer får alvorlige elektriske stød, og at enheden tager alvorligt skade.

Frakobl strømforsyningen før udførelse af vedligeholdelse, reparationer eller rengøring.

- * Dette udstyr kræver en separat vekselstrømsforsyning på 220-240 V og 10 A. Strømforsyningen skal være beskyttet med en egnet afbryder.
- * Hovedstyreboksens sikring er dimensioneret til 5 A og må kun udskiftes af en kvalificeret servicetekniker.
- * Der kræves normalt en elektrisk godkendelse og service fra en autoriseret elektriker.

Kun for Storbritannien og Eire

- * Ledningerne i strømforsyningskablet er farvekodede som følger:

Grøn og gul = jord

Blå = nulleder

Brun = strømførende

Da farverne på ledninger i strømforsyningskablet for dette udstyr muligvis ikke stemmer overens med farverne på terminalerne i dit stik, skal du fortsætte som følger:

Den grønne/gule ledning skal sluttes til den terminal i stikket, der er mærket med bogstavet E, med symbolet \perp eller med farven grøn eller grøn/gul. Den blå ledning skal sluttes til den terminal, der er mærket med bogstavet N eller med farven sort. Den brune ledning skal sluttes til den terminal, der er mærket med bogstavet L eller med farven rød.

- * Hvis stikkontakten på installationsstedet ikke passer til stikket på produktet, skal stikket fjernes (klippes af, hvis det er et støbt stik), og et egnet stik monteres.

Hvis stikket er klippet af netledningen, skal det kasseres. Forsøg ikke at genbruge det. Hvis et sådant stik sættes i en anden stikkontakt, kan det medføre elektrisk stød.

- * Stikket må aldrig bruges uden sikringsafdækning.

Den korrekte erstatning for den aftagelige sikringsafdækning fremgår af producentens referencenummer, der er stemplet på stikket.

Sikringsafdækninger kan fås hos Hoshizaki-reservedels-/servicecentre.

Sikringerne skal være dimensioneret til 10A og godkendt jf. BS 1362.

7. VANDFORSYNING- OG AFLØBSTILSLUTNINGER

▲ADVARSEL

Må kun sluttes til koldt vandforsyningen.



* Tilslutning til vandforsyningen skal foretages i overensstemmelse med det pågældende lands gældende regler for vandforsyning.

* Vandet til fremstilling af isterninger skal være af drikkevandskvalitet. Det anbefales at installere et eksternt filter eller et blødgøringsanlæg, hvis vandkvaliteten kan medføre tilkalkning. Kontakt de lokale vandværksmyndigheder eller Hoshizakis servicerepræsentant.

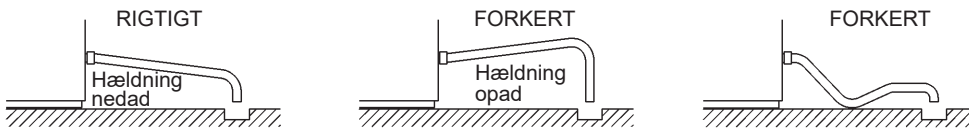
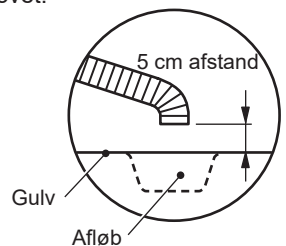
* Vandtrykket skal være minimum 0,07 MPa (0,7 bar) og maksimum 0,8 MPa (8 bar). Hvis trykket er højere end 0,8 MPa (8 bar), skal der anvendes en trykreduktionsventil. Monter IKKE en reduktion på vandforsyningshanen.

* I visse områder kan en vandinstallationstilladelse og service fra et autoriseret VVS-firma være påkrævet.

* Isterningmaskinens afløb følger tyngdekraften, så kontroller, at afløbsslangen har korrekt fald.

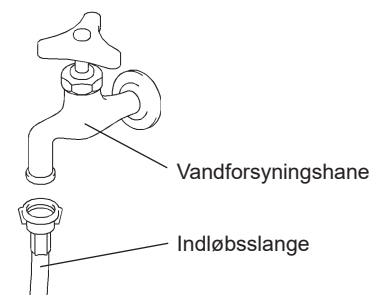
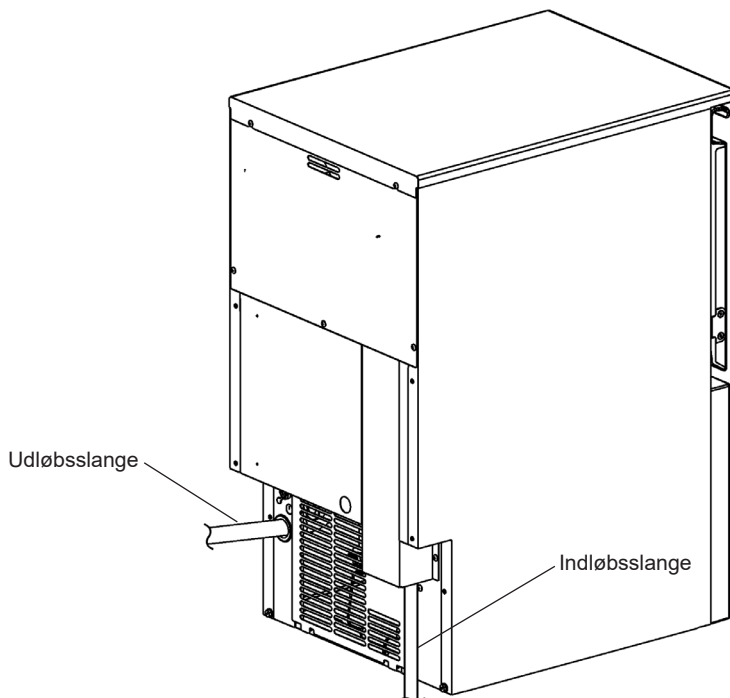
* Afløbsledninger må ikke installeres direkte til kloaksystemet. Der skal være en lodret afstand på mindst 5 cm mellem enden af afløbsslangerne fra isterningmaskinen og gulvafløbet.

* For at forhindre tilbageflow til iskassen skal afløbsslangen placeres som vist.



1) Monter den frie ende af indløbsslangen på vandforsyningshanen. Kontroller, at skiven er placeret korrekt. Håndspænd så hårdt, at samlingen bliver lækagefri. Det anbefales at have en stopventil inden for rækkevidde.

2) Afløbsslangen kan skæres til i længden, så den passer til hovedafløbets placering.



II. BETJENINGSANVISNINGER

BEMÆRK

Alle dele er justeret fra fabrikken. Ukorrekte justeringer kan medføre, at udstyret svigter.

Hvis der slukkes for isterningmaskinen, skal der gå mindst 3 minutter, før den startes igen, så kompressoren ikke beskadiges.

▲HYGIEJNE

Denne isterningmaskine er udviklet til at fremstille konsumis. Hold isterningmaskinen hygiejnisk:

- * Vask hænder, før du fjerner is. Brug den medfølgende plastikskovl (tilbehør).
- * Iskassen må kun bruges til is. Opbevar ikke andet i kassen, og brug ikke andet elektrisk udstyr i kassen.
- * Rengør omhyggeligt iskassen før brug (se "III. 1. RENGØRING").
- * Hold skovlen ren. Rengør den med et neutralt rengøringsmiddel, og skyl omhyggeligt.
- * Luk døren, når du har taget is ud, så der ikke kommer snavs, støv eller insekter ind i iskassen.

Betjeningspanel

[1] Display

run: Isproduktion
 oFF: Luk ned
 FUL: Iskasse fuld
 cln: Rengøring

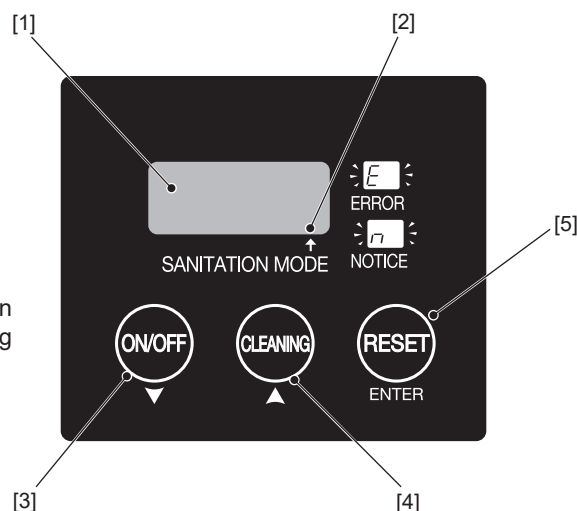
[2] Prik

Slukket: Normal tilstand
 Tændt: Desinficeringsstilstand (*)
 * Efter 4 timers kontinuerlig inaktivitet rens og opfrisker ismaskinen automatisk vandkredsløbet for at forhindre bakteriel spredning og holde det rent og hygiejnisk i længere tid.

[3] ON/OFF-knap / Ned-knap

[4] CLEANING-knap / Op-knap

[5] RESET-knap / Enter-knap



1. START

Installatøren sætter normalt isterningmaskinen i gang og starter den automatiske fremstillingsproces til isterninger. Af hensyn til kontinuerlig drift skal du kontrollere, at:

- * Der er tændt for vandforsyningen,
- * Isterningmaskinen er sluttet til strømforsyningen, og
- * Display viser "run".

2. BRUGERINDSTILLINGER

Nedenstående indstillinger kan justeres af brugeren.

- 1) Tryk på, og hold reset-knappen inde i 3 sekunder for at skifte til brugerindstillingstilstand. Displayet viser en af indstillingskoderne.
- 2) Tryk på op- eller nedknappen, til displayet viser den ønskede indstillingskode. Tryk derefter på enter-knappen.
- 3) Brug op- eller ned-knappen til at justere indstillingen. Tryk derefter på enter-knappen.
- 4) Tryk på op- eller ned-knappen, til displayet viser "END", når du er færdig med indstillingerne. Tryk derefter på enter-knappen for at forlade brugerindstillingstilstanden.

Kode	Element	Beskrivelse	Standard
U.04	Tømmehyppighed	0: Ingen tømning 1: For hver 1 cyklus 2: For hver 2 cyklusser 5: For hver 5 cyklusser 10: For hver 10 cyklusser 20: For hver 20 cyklusser	10: For hver 10 cyklusser

Kode	Element	Beskrivelse	Standard
U.44	Hyppighed af automatisk vandrensning	0: Ingen automatisk vandrensning 5: For hver 5 cyklusser 10: For hver 10 cyklusser 15: For hver 15 cyklusser 20: For hver 20 cyklusser 40: For hver 40 cyklusser 60: For hver 60 cyklusser	20: For hver 20 cyklusser
U.49	Antal kemikaliedoseringer (*)	Når kemikaliedoseringerne når det indstillede antal gange, vises beskedkode "n93" som angivelse af, at der ikke er mere kemikalie tilbage.	KM-40: 15 gange KM-60: 13 gange KM-80: 12 gange KM-140: 16 gange
U.50	Hyppighed af fuldautomatisk, kemisk rengøring (*)	Start fuldautomatisk, kemisk rengøring med den indstillede hyppighed. Justerbar fra hver 400 til 1000 cyklusser (i intervaller på 100 cyklusser) f.eks. 40 = 400 cyklusser	–
U.51	UV-LED-bestrålingstid (**)	Bestrål med UV-LED i den indstillede tid. Ingen eller justerbar fra 10 til 30 minutter (i intervaller på 1 minut)	–
U.52	UV-LED-bestrålingshyppighed (**)	Bestrål med UV-LED i frysecyklus efter den indstillede tid. Justerbar fra 30 til 300 minutter (i intervaller på 10 minutter)	120 minutter
U.53	Driftstilstand	nor: Normal tilstand cln: Desinficeringsstilstand (Efter 4 timers kontinuerlig inaktivitet renses og opfriskes vandkredsløbet automatisk for at forhindre bakteriel spredning og holde det rent og hygiejnisk i længere tid).	nor: Normal tilstand
U.54	Tilstand fuldautomatisk, kemisk rengøring (*)	Når "cln" (desinficeringsstilstand) er valgt, kører enheden en cyklus med fuldautomatisk, kemisk rensning ved at bruge det automatiske rengørings sæt (ekstraudstyr) uanset den hyppighed, der er indstillet med U.50.	–
U.55	Nulstil antal kemikaliedoseringer (*)	Nulstil beskedkode "n93" (intet kemikalie tilbage) og antal kemikaliedoseringer.	–
U.56	Nulstil indstillinger	Nulstil alle brugerindstillinger til standard.	–
U.58	Forceret nedlukning	Luk enheden ned under alle forhold.	–
U.59	Forceret aftapning	Luk enheden ned, og aftap under alle forhold.	–
U.60	Besked (f.eks. vedligeholdelse)	Beskedkode "n99" vises efter den indstillede tid. Justerbar fra 0 (ingen) til 6000 timer (i intervaller på 100 timer)	0: Ingen
U.68	Nulstil besked	Nulstil tælling for besked U.60.	–

* Gælder kun for den fuldautomatiserede rengøringsmodel (-W), eller når det fuldautomatiske rengørings sæt (ekstraudstyr) anvendes.

** Gælder kun, når UV-LED (ekstraudstyr) anvendes.

3. FORBEREDELSE AF ISTERNINGMASKINEN MED HENBLIK PÅ LANG TIDS OPBEVARING

BEMÆRK

Denne isterningmaskine fungerer ikke ved temperaturer under frysepunktet. Tøm isterningmaskinen, når lufttemperaturen er under nul, så vandforsyningsledningen ikke beskadiges.

▲HYGIEJNE

Når isterningmaskinen lukkes ned i to eller flere dage, skal den tømmes for at forhindre forurening i vandkredsløbet.

1) Tryk på ON/OFF-knappen. Displayet viser "oFF".

2) Tryk på, og hold reset-knappen inde i 3 sekunder for at skifte til brugerindstillingstilstand.

- 3) Indstil brugerindstilling "U.59" til "1" for at tømme isterningmaskinen.
- 4) Tag isterningmaskinens stik ud af stikkontakten, eller sluk for strømforsyningen.
- 5) Luk for vandhanen, og fjern indløbsslangen.
- 6) Fjern al is fra iskassen, og rengør iskassen.
- 7) Rens vandkredsløbet kemisk i henhold til "III. 1. [e] Vandsystem til isfremstilling".
- 8) Før isterningmaskinen tages i brug igen, skal vandkredsløbet atter renses med frisk vand eller en kemisk opløsning i henhold til "III. 1. [e] Vandsystem til isfremstilling".

III. VEDLIGEHOLDELSE

1. RENGØRING

▲ADVARSEL

Før rengøring eller vedligeholdelse skal isterningmaskinens stik tages ud af stikkontakten.

Udstyret må ikke rengøres med en vandstråle.

▲FORSIGTIG

Ved brug af et neutralt rengøringsmiddel eller natriumhypochlorit skal de medfølgende anvisninger gennemblæses og forstås, så risikoen for helbredsproblemer undgås.

BEMÆRK

Isterningmaskinens vandsystem skal rengøres og desinficeres af fagfolk mindst to gange om året, og fortætteren skal efterses og rengøres mindst en gang om året.

Plastdelene må ikke rengøres ved temperaturer over 40°C og tåler ikke opvaskemaskine.

Brug ikke sprit til rengøring/desinficering af isterningmaskinen. Det kan forårsage revner i plastikdelene.

▲HYGIEJNE

Forbered rengørings- og desinficeringsopløsningerne lige før brug for at sikre deres effekt og hygiejne kvalitet.

[a] Maskinens og iskassens yderside

Tør ydersiden af med en ren, blød klud mindst en gang om ugen. Brug en fugtig klud med et neutralt rengøringsmiddel til aftørring af fedt eller snavs.

[b] Rengøring/desinficering af skovl og iskassens håndtag (dagligt)

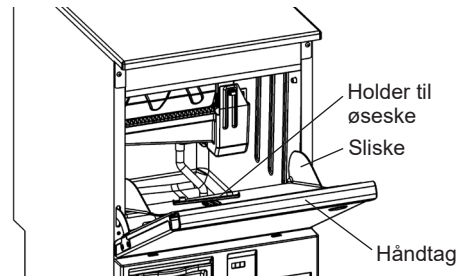
- 1) Bland enten 3 l vand med 11 ml 5,25% natriumhypochlorit opløsning i en egnet beholder eller det anbefalede desinficeringsmiddel fra Hoshizaki som beskrevet.
- 2) Lade skovlen ligge i opløsningen i mindst 3 minutter. Skyl omhyggeligt efter, og ryst den overskydende væske af.
Bemærk: Brug af en klud til aftørring kan forårsage ny forurening.
- 3) Brug et neutralt rengøringsmiddel til rengøring af iskassens håndtag. Skyl omhyggeligt.
- 4) Dyp en ren klud i desinficeringsopløsningen, og tør håndtaget af. Brug rent vand og en ren klud til skylning/tørring.

[c] Rengøring/desinficering af iskassen indvendigt (ugentligt)

- 1) Åbn døren til iskassen, og fjern al is.

DANSK

- 2) Fjern øseskeens holder fra slisken.
- 3) Vask iskassens beklædning og øseskeens holder med et neutralt, ikke-slibende rengøringsmiddel. Skyl omhyggeligt.
- 4) Dyp en ren klud i det neutrale rengøringsmiddel, og aftør begge sider af slisken og den indvendige side af døren. Tør rengøringsmidlet af med en ren, fugtig klud.
- 5) Bland enten 3 l vand med 11 ml 5,25% natriumhypochloritopløsning i en egnet beholder eller det anbefalede desinficeringsmiddel fra Hoshizaki som beskrevet.



- 6) Dyp en ren svamp eller klud i opløsningen, og tør overfladerne på iskassens beklædning, dør, øseske og øseskeens holder.

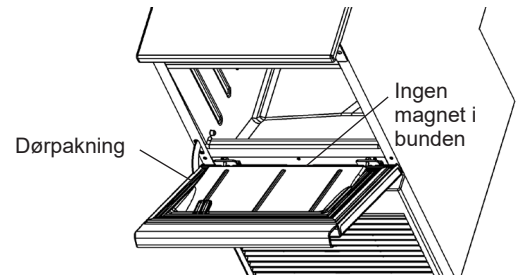
Bemærk: Rengør alle dørpakningens overflader, som let bliver snavsede. Den er let at afmontere med henblik på rengøring.

VIGTIGT

Dørpakningen har en magnet i toppen og i begge sider. Monter pakningen korrekt og på det korrekte sted, så det sikres, at døren er lufttæt.

- 7) Den resterende opløsning kan bruges til desinficering af redskaber.

Bemærk: Tør ikke af, og skyl ikke efter desinficering, men lad delene lufttørre.



[d] Luftfilter

Luftfiltre af plastnet fjerner snavs og støv fra luften og forhindrer, at fortætteren tilstoppes. Hvis filtrene tilstoppes, reduceres isterningmaskinens ydeevne. Fjern og rengør luftfilteret/-filtrene mindst to gange om måneden:

- 1) Afmonter luftfilteret.

Bemærk: Sæt ikke hænderne ind i motorområdet.

- 2) Rengør luftfilteret med en støvsuger. Brug varmt vand og et neutralt rengøringsmiddel til at vaske luftfilteret, hvis det er kraftigt tilstoppet.

- 3) Skyl og tør luftfilteret omhyggeligt.

BEMÆRK

Husk at sætte luftfilteret på plads igen efter rengøring.

[e] Vandsystem til isfremstilling

Vandrensning

Rens vandkredsløbet med frisk vand, enten automatisk eller manuelt.

Automatisk vandrensning: Indstil brugerindstilling "U.44" til en ønsket hyppighed (se "II. 2. BRUGERINDSTILLINGER").

Manuel vandrensning: Tryk på rensknappen, når displayet ikke viser "oFF".

Isterningmaskinen genoptager automatisk produktionen af isterninger efter rensning af vandkredsløbet.

Automatisk, kemisk rensning

Rengør vandkredsløbet effektivt ved manuel tilsætning af et kemikalie.

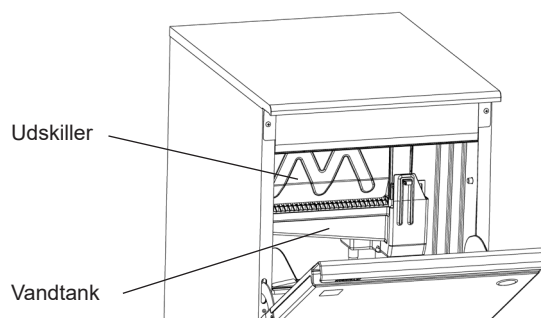
▲FORSIGTIG

Bær beskyttelsesudstyr (f.eks. beskyttelsesbriller), når du bruger citronsyre- eller natriumhypochloritopløsningen. Opløsningen kan sprøjte ud, så du får den i øjnene. I så fald skal du vaske øjnene med rent vand.

BEMÆRK

Hvis citronsyreopløsningen drypper på metalpladerne, skal den tørres grundigt af for at forhindre rust.

- 1) Fremstil en af følgende opløsninger afhængigt af det tilsigtede formål.
 Rengøring (afkalkning): 3,5 liter 2% citronsyreopløsning
 Desinficering: 3,5 liter vand blandet med 13 ml 5,25% natriumhypochloritopløsning
- 2) Åbn døren og fjern al is fra iskassen. Kontroller, at udskilleren er placeret korrekt som vist. Ellers kan opløsningen sprøjte ud over isen i iskassen.
- 3) Tryk på rensknappen, og hold den inde i 3 sekunder. Displayet blinker den aktuelle tilstand. For eksempel begynder displayet, der viser "kør" under produktionen af isterninger, at blinke "kør".
- 4) Når displayet skifter til "cln", hældes følgende mængde opløsning forsigtigt i vandbeholderen, så den ikke løber over.
 KM-40C-HC: 2,0 l
 KM-60C-HC: 2,5 l
 KM-80C-HC: 3,0 l
 KM-140C-HC: 3,5 l
- 5) Skyl iskassens beklædning med rent vand for at fjerne eventuelt spildt væske fra iskassen. Luk derefter døren.
- 6) Tryk på rensknappen (eller vent 15 minutter) for at starte den automatiske, kemiske rensning.
- 7) Enheden vender tilbage til den oprindelige tilstand efter udført rensning.



▲ADVARSEL

Hvis isterninger, der er fremstillet efter den automatisk, kemiske rensning smager forkert, skal du med det samme stoppe med at bruge isterning maskinen og tilkalde service.

Fuldautomatisk, kemisk rensning (*)

* Fås kun til den fuldautomatiserede rengøringsmodel (-W), eller når det fuldautomatiske rengørings sæt (ekstraudstyr) anvendes. Det fuldautomatiske rengørings sæt tilsætter et kemikalie (1250 ml 40% citronsyreopløsning) og afkalker vandkredsløbet med en ønsket hyppighed. Foretag de nødvendige indstillinger i henhold til "II. 2. BRUGERINDSTILLINGER". Se betjeningsvejledningen til det fuldautomatiske rengørings sæt ACK.

2. FØR DU TILKALDER SERVICE

▲ADVARSEL

Kølekredsløbet må ikke beskadiges.

Hvis isterningmaskinen ikke fungerer korrekt eller slet ikke fungerer, kontroller da følgende, før der tilkaldes service:

- * Isterningmaskinen strømforsynes.
- * Der er åbnet for vandet.
- * Luftfilteret er rent.

Hvis problemet varer ved, skal du slukke for strømforsyningen, tænde for den igen og trykke på nulstillingsknappen. Hvis problemet varer ved, skal du kontrollere, om fejlkode "E" angives på displayet, eller prikken i midten lyser og kontakte den lokale Hoshizaki-repræsentant.

Følg vejledningen herunder, hvis en af følgende beskedkoder vises.

Kode	Beskrivelse
n92	Unormalt høj temperatur. Rengør luftfilter. Kontroller, at installationen er foretaget korrekt i henhold til "I. 4. PLACERING".
n93	Intet kemikalie tilbage (når det fuldautomatiske rengørings sæt (ekstraudstyr) anvendes). Udskift eller fyld kemikaliebeholderen, og nulstil med brugerindstilling "U.55" (se "II. 2. BRUGERINDSTILLINGER"). Brug brugerindstilling "U.49" til at ændre hyppigheden af beskeden.
n99	Tid indstillet med brugerindstilling "U.60" (se "II. 2. BRUGERINDSTILLINGER") er gået, og vedligeholdelse er påkrævet. Tryk på nulstillingsknappen, når vedligeholdelsen er udført.

Kontakt den lokale Hoshizaki-servicerepræsentant for at få yderligere hjælp.

3. BORTSKAFFELSE

Overhold lokale forskrifter vedrørende bortskaffelse af dette udstyr og dets kølegas. Tag døren af, før du skrotter udstyret, så børn ikke bliver spærret inde i det.

Korrekt bortskaffelse af dette produkt:

Denne mærkning angiver, at dette produkt ikke må bortskaffes sammen med andet husholdningsaffald inden for EU. Det skal bortskaffes på ansvarlig vis for at fremme bæredygtigt genbrug af materialeressourcer og for at undgå at skade miljøet eller menneskers helbred som følge af ukontrolleret bortskaffelse af affald. Brug returnerings- og indsamlingssystemer til returnering af dit brugte udstyr, eller kontakt den forhandler, du har købt produktet hos. Forhandleren kan bortskaffe produktet med henblik på miljømæssig sikker genbrug.



▲ADVARSEL



Brandfare

Det isoleringsskum, der er anvendt til denne maskine, indeholder brændbar gascyklopentan. Bortskaf produktet med tanke på dette.

4. GARANTI

Hoshizaki garanterer over for den oprindelige ejer/bruger, at alle Hoshizaki-produkter er fejlfri hvad angår såvel materiale som udførelse i "garantiperioden". Garantien er gyldig i to år fra installationsdatoen.

Hoshizakis ansvar under denne garanti er begrænset og omfatter ikke rutineservice, rengøring, større vedligeholdelsesarbejde og/eller reparationer forårsaget af fejlagtig brug og installation, der ikke er i overensstemmelse med Hoshizakis anvisninger.

Reparationer under garantien må kun udføres af en autoriseret Hoshizaki-forhandler eller servicerepræsentant med anvendelse af originale Hoshizaki-komponenter.

Kontakt din forhandler/leverandør eller nærmeste Hoshizaki-servicekontor vedrørende alle oplysninger om garanti og godkendte servicerepræsentanter:

Europa, Mellemøsten, Afrika

Hoshizaki UK - Storbritannien, Irland
TLF.: +44 845 456 0585
FAX: +44 132 283 8331
uksales@hoshizaki.uk

Hoshizaki Italia - Italien
TLF.: +39 344 0616467
TLF.: +39 348 3022156
info@hoshizaki.it

Hoshizaki Deutschland - Tyskland, Schweiz, Østrig, Polen, Tjekkiet, Slovakiet
TLF.: +49 5121 697370
FAX: +49 5121 6973719
vertrieb@hoshizaki.de

Hoshizaki Denmark - Danmark
TLF.: +45 89 88 53 60
salg@hoshizaki.dk

Hoshizaki France - Frankrig
TLF.: +33 1 48 63 93 80
FAX: +33 1 48 63 93 88
info@hoshizaki.fr

Hoshizaki Norge - Norge
TLF.: +47 22 88 17 50
salg@hoshizaki.no

Hoshizaki Iberia - Spanien, Portugal
TLF.: +34 93 478 09 52
FAX: +34 93 478 08 00
info@hoshizaki.es

Hoshizaki Sweden - Sverige
TLF.: +46 108 84 87 47
OrderSE@hoshizaki.dk

Hoshizaki Middle East - Mellemøsten
TLF.: +971 48 876 612
FAX: +971 48 876 613
sales@hoshizaki.ae

Hoshizaki Europe B.V. - alle andre lande i Europa og Afrika
TLF.: +31 20 6918499
FAX: +31 20 6918768
sales@hoshizaki.nl

Hoshizaki Benelux - Holland, Belgien, Luxembourg
TLF.: +31 85 018 83 70
info@hoshizaki.nl

SPECIFIKATIONER

Model	KM-40C-HC	KM-60C-HC	KM-80C-HC	KM-140C-HC
Type	Luftkølet, halvmåneformet is	Luftkølet, halvmåneformet is	Luftkølet, halvmåneformet is	Luftkølet, halvmåneformet is
Strømforsyning	1 fase 220-240V 50Hz	1 fase 220-240V 50Hz	1 fase 220-240V 50Hz	1 fase 220-240V 50Hz
Strømforbrug	209W	242W	299W	564W
Isproduktion pr. 24 timer	43kg (omgivende 10°C, vand 10°C)	60kg (omgivende 10°C, vand 10°C)	75 kg (omgivende 10°C, vand 10°C)	135 kg (omgivende 10°C, vand 10°C)
Mål	452mm(B) x 610mm(D) x 988mm(H)	605mm(B) x 610mm(D) x 988mm(H)	605mm(B) x 712mm(D) x 988mm(H)	630mm(B) x 719mm(D) x 1333mm(H)
Kølemiddel	R290, 68g	R290, 90g	R290, 147g	R290, 110g
Blæsemiddel til isoleringsskum	HFC-fri	HFC-fri	HFC-fri	HFC-fri
Vægt	Netto: 39kg (brutto: 49kg)	Netto: 45kg (brutto: 57kg)	Netto: 50kg (brutto: 63kg)	Netto: 69kg (brutto: 81kg)
Omgivende temp.	7 - 38°C	7 - 38°C	7 - 38°C	7 - 38°C
Vandforsyningstemp.	7 - 32°C	7 - 32°C	7 - 32°C	7 - 32°C
Vandforsyningstryk	0,07 - 0,8 MPa (0,7 - 8 bar)	0,07 - 0,8 MPa (0,7 - 8 bar)	0,07 - 0,8 MPa (0,7 - 8 bar)	0,07 - 0,8 MPa (0,7 - 8 bar)
Spændingsområde	Mærkespænding ±6 %	Mærkespænding ±6 %	Mærkespænding ±6 %	Mærkespænding ±6 %

Model	KM-40C-HC-W	KM-60C-HC-W	KM-80C-HC-W	KM-80C-HC-W
Type	Luftkølet, halvmåneformet is, fuldautomatisk rensning	Luftkølet, halvmåneformet is, fuldautomatisk rensning	Luftkølet, halvmåneformet is, fuldautomatisk rensning	Luftkølet, halvmåneformet is, fuldautomatisk rensning
Strømforsyning	1 fase 220-240V 50Hz	1 fase 220-240V 50Hz	1 fase 220-240V 50Hz	1 fase 220-240V 50Hz
Strømforbrug	209W	242W	299W	564W
Isproduktion pr. 24 timer	43kg (omgivende 10°C, vand 10°C)	60kg (omgivende 10°C, vand 10°C)	75 kg (omgivende 10°C, vand 10°C)	135 kg (omgivende 10°C, vand 10°C)
Mål	452mm(B) x 610mm(D) x 988mm(H)	605mm(B) x 610mm(D) x 988mm(H)	605mm(B) x 712mm(D) x 988mm(H)	630mm(B) x 719mm(D) x 1333mm(H)
Kølemiddel	R290, 68g	R290, 90g	R290, 147g	R290, 110g
Blæsemiddel til isoleringsskum	HFC-fri	HFC-fri	HFC-fri	HFC-fri
Vægt	Netto: 41kg (brutto: 51kg)	Netto: 47kg (brutto: 59kg)	Netto: 52kg (brutto: 65kg)	Netto: 71kg (brutto: 83kg)
Omgivende temp.	7 - 38°C	7 - 38°C	7 - 38°C	7 - 38°C
Vandforsyningstemp.	7 - 32°C	7 - 32°C	7 - 32°C	7 - 32°C
Vandforsyningstryk	0,07 - 0,8 MPa (0,7 - 8 bar)	0,07 - 0,8 MPa (0,7 - 8 bar)	0,07 - 0,8 MPa (0,7 - 8 bar)	0,07 - 0,8 MPa (0,7 - 8 bar)
Spændingsområde	Mærkespænding ±6 %	Mærkespænding ±6 %	Mærkespænding ±6 %	Mærkespænding ±6 %

VIKTIG SÄKERHETSINFORMATION

I den här handboken finns meddelanden som uppmärksammar dig på situationer som kan leda till dödsfall, allvarliga personskador eller skador på enheten.

▲ VARNING	Anger en farlig situation som kan leda till dödsfall eller allvarliga personskador om den inte undviks.
▲ OBSERVERA	Anger en farlig situation som kan leda till mindre eller medelsvåra personskador om den inte undviks.
ANMÄRKNING	Anger en farlig situation som kan leda till skador på enheten om den inte undviks.
▲ HYGIEN	Angerviktigaförsiktighetsåtgärdersomgällerhygienochlivsmedelssäkerhet.
VIKTIGT	Anger viktig information om enhetens användning och skötsel.

Ismaskinen använder ett HFC-fritt köldmedium (propan) som inte förstör ozonskiktet samt miljövänliga material med mycket låg effekt på den globala uppvärmningen.

▲ VARNING
Ismaskinens kylenhet innehåller ett antändbart köldmedium, installation, hantering, underhåll och avyttring får därför bara utföras av behöriga tekniker.
Köldmediet i ismaskinen är antändbart och det är förseglat i kylsystemet. Trots att köldmedium inte kan läcka vid normal användning bör du vara mycket försiktig när ismaskinen hanteras så att inte systemet skadas.
I händelse av oavsiktliga skador på kylsystemet som gör att köldmedium läcker: * Se till att inget som kan leda till antändning förs in i området. * Använd inte elektriska strömbrytare eller kontakter i området. * Använd inte bara lågor. * Ventilera omedelbart området genom att öppna dörrar och/eller fönster. * Ring en servicetekniker.
VIKTIGT
Den här bruksanvisningen är en viktig del av produkten som bör förvaras på en säker plats för framtida bruk.
Läs riktlinjerna och varningarna i bruksanvisningen noga eftersom de förser installatören/ användaren med nödvändig information som krävs för att installera, använda och underhålla maskinen på korrekt och säkert sätt.
Spara bruksanvisningen för framtida bruk.

⚠ VARNING

Detta är en kommersiell ismaskin och den är enbart avsedd att användas för det ändamål som den utformats för.

All annan användning är att anse som fel och därmed farligt. Tillverkaren ansvarar inte för skador som uppstår på grund av felaktig användning eller missbruk.

Installation och eventuell förflyttning måste utföras av kvalificerad personal i enlighet med tillämpliga föreskrifter och tillverkarens anvisningar.

Håll ventilationsöppningar fria från hinder, både i maskinens hölje och i den inbyggda strukturen.

Använd inte mekaniska enheter eller andra medel för att skynda på avfrostningsprocessen om inte sådana rekommenderas av tillverkaren.

Vissa grundläggande regler bör iakttas när elektriska apparater används. I synnerhet:

* Hög fuktighet och väta ökar risken för elektrisk kortslutning och elektriska stötar. Koppla bort ismaskinen om du är osäker.

* Skada eller dra inte i nätsladden när ismaskinen kopplas bort från strömförsörjningen.

* Om nätkabeln skadas måste den ersättas med en kabel från Hoshizaki reservdels- och servicecenter.

* Ta inte på elektriska delar eller använd strömbrytarna med våta händer.

* Den här apparaten är inte avsedd att användas av personer (inklusive barn) med fysiska, sensoriska eller mentala funktionsnedsättningar eller personer som saknar erfarenhet och kunskap om maskinen. Den kan emellertid användas av barn från 8 års ålder, personer med fysiska, sensoriska eller mentala funktionsnedsättningar samt personer som saknar erfarenhet och kunskap om maskinen om de övervakas eller instrueras angående säker användning av maskinen av en person som ansvarar för deras säkerhet.

* Barn får inte leka med apparaten.

* Rengöring och användarunderhåll får inte utföras av barn utan övervakning.

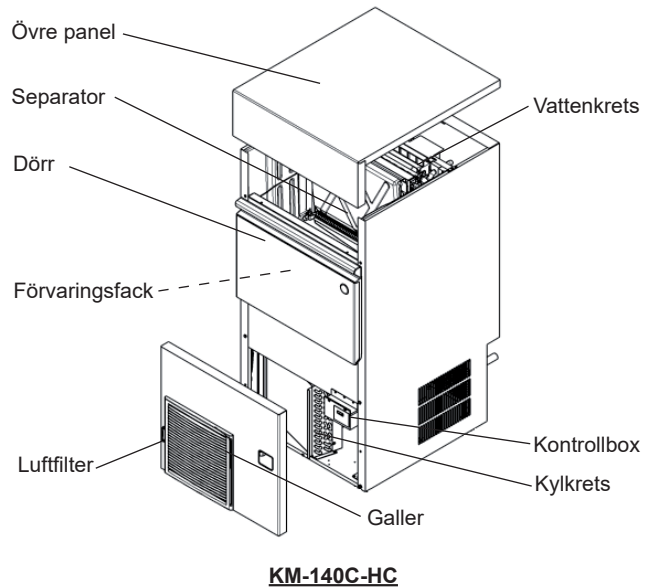
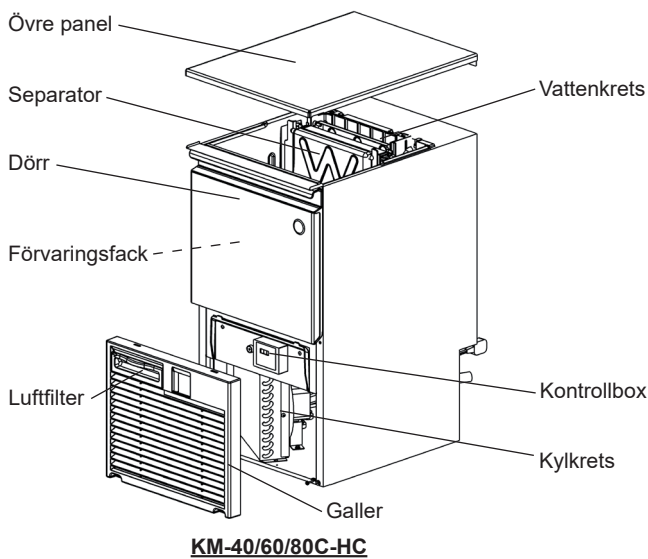
* Försök inte göra ändringar på ismaskinen. Endast kvalificerad personal får demontera och reparera apparaten.

Se till att nätsladden inte är kläms eller skadas när du placerar apparaten.

Placera inte flera bärbara uttag eller bärbara nättaggregat på apparatens baksida.

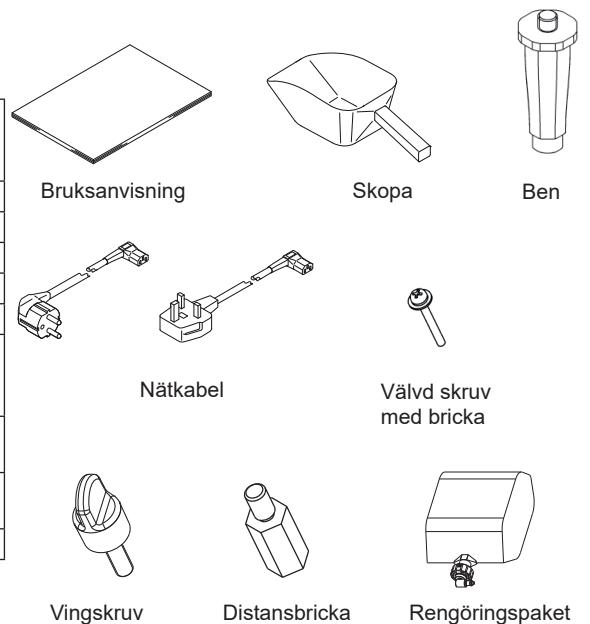
I. INSTALLATIONSANVISNINGAR

1. KONSTRUKTION



2. TILLBEHÖR

	KM-40C-HC KM-60C-HC KM-80C-HC	KM-140C-HC	KM-40C-HC-W KM-60C-HC-W KM-80C-HC-W	KM-140C-HC-W
Bruksanvisning	1	1	1	1
Skopa	1	1	1	1
Ben	4	4	4	4
Nätsladd (kontinental)	1	1	1	1
Nätsladd (Storbritannien)	1	1	1	1
Välvd skruv med bricka (M4 x 30) (gallermontering)	2	-	-	-
Tumskruv (gallermontering)	-	-	2	1
distansbricka (M4) (gallermontering)	-	-	2	-
Rengöringspaket	-	-	1	1



3. PACKA UPP MASKINEN

⚠ VARNING

Håll förpackningsmaterial (plastpåsar och expanderad polystyren) utom räckhåll för barn eftersom de kan vara farliga.

⚠ OBSERVERA

Lyft eller manövrera inte kartongen med remmarna.

Ta bort gallret och håll i enhetens nederdel när enheten flyttas för hand. Håll inte i den övre panelen eller dörren. De kan lossna och orsaka skador.

Använd alltid skyddshandskar när enheten bärs.

Kartongen eller den uppackade enheten ska hanteras av två personer för att förhindra personskador.

ANMÄRKNING

Ta bort fraktkartongen, tejprensorna och insatserna. Ismaskinen fungerar inte som den ska om förpackningsmaterial lämnas kvar i maskinen.

- 1) Kontrollera att ismaskinen är i gott skick när förpackningsmaterialet har avlägsnats. Om du är osäker ska du inte använda ismaskinen utan i stället kontakta kvalificerad personal.
- 2) Ta bort tejpen som håller fast dörren och separatoren.
- 3) Ta bort skyddsplasten från utsidan. Ta bort skyddsplasten när ismaskinen svalnat om den har utsatts för sol eller värme.
- 4) Ta bort förpackningen med tillbehör. Kontrollera innehållet enligt "2. TILLBEHÖR".

4. PLACERING

⚠ VARNING

Ismaskinen är inte avsedd för utomhusbruk.

Ismaskinen ska inte placeras i närheten av ugnar, grillar eller andra utrustningar som producerar hög värme.

Maskinen ska inte installeras på platser där vatten kan sprutas.

⚠ OBSERVERA

Ismaskinen ska installeras på en stabil och plan yta.

ANMÄRKNING

Placera inte föremål ovanpå ismaskinen eller framför ventilationsgallret.

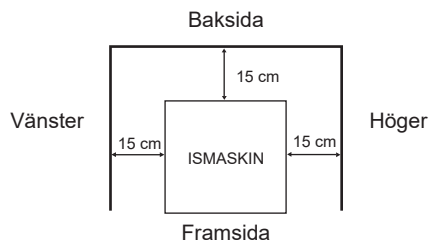
VIKTIGT

Den normala omgivningstemperaturen för drift bör ligga mellan 7 °C och 38 °C. Den normala vattentemperaturen för drift bör ligga mellan 7 °C och 32 °C. Produktionsförmågan kan påverkas om ismaskinen används utanför de normala temperaturområdena under en längre tid.

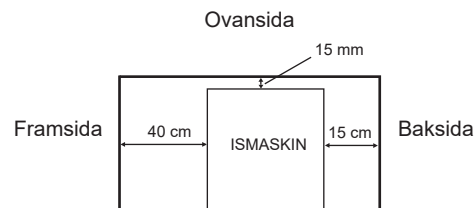
Se till att utrymmet som anges nedan finns för luftcirkulation och för att underlätta underhåll och/eller översyn som kan behövas.

[KM-40/60/80C-HC(-W)]

Sedd från ovan

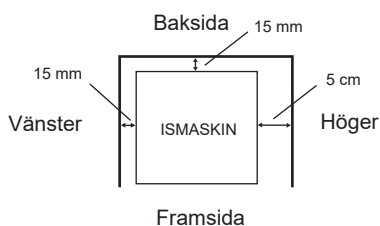


Sedd från sidan

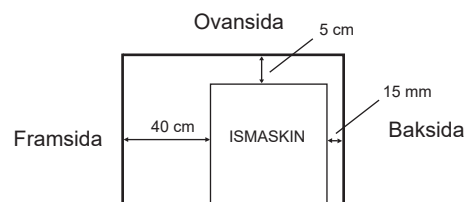


[KM-140C-HC(-W)]

Sedd från ovan



Sedd från sidan



Kondens kan bildas inuti maskinen och droppa ned på golvet i miljöer med hög luftfuktighet. Installera inte enheten på platser där golvet kan skadas av vatten.

Undvik att exponera maskinen för direkt solljus under längre perioder.

5. INSTALLATION

⚠ OBSERVERA

Felaktig installation kan skada människor, djur och föremål som tillverkaren inte ansvarar för.

- * Placera ismaskinen på den valda permanenta installationsplatsen.
- * Apparaten måste placeras så att kontakten är åtkomlig.
- * Nivellera ismaskinen i riktningarna vänster och höger samt framåt och bakåt genom att justera benen.

6. ELEKTRISKA ANSLUTNINGAR

⚠ VARNING

APPARATEN MÅSTE JORDAS

Ismaskinen måste jordas enligt nationella och lokala elektriska föreskrifter.

Installera en ordentlig jordledning till ismaskinen för att förhindra allvarliga elektriska stötar och omfattande skador på utrustningen.

Koppla bort strömförsörjningen innan underhåll, reparationer eller rengöring utförs.

- * Det krävs en separat strömförsörjning på 220–240 V AC, 10 A för den här maskinen. Anslutningen måste skyddas av en lämplig krets brytare.
- * Den huvudsakliga säkringsboxen har ett märkvärde på 5 A och får endast bytas ut av en behörig servicetekniker.
- * I vanliga fall krävs en licensierad elektriker med tillstånd.

Endast Storbritannien och Irland

- * Ledningarna i nätsladden är färgkodade enligt följande:

Grön och gul = jord

Blå = neutral

Brun = strömförande

Eftersom färgerna på ledningarna i produktens nätsladd kanske inte motsvarar färgmarkeringarna som identifierar uttagen i kontakten, ska du göra på följande sätt:

Den grön-gula ledningen ska anslutas till uttaget som är märkt med bokstaven E eller symbolen \perp eller som är färgad grön eller grön-gul. Den blåa ledningen ska anslutas till uttaget som är märkt med bokstaven N eller som är svartfärgat. Den bruna ledningen ska anslutas till uttaget som är märkt med bokstaven L eller som är rödfärgat.

- * Om uttaget på installationsplatsen inte passar kontakten som medföljer produkten ska kontakten tas bort (skär av den om den är pressad) och en lämplig kontakt monteras.

En pressad kontakt som skurits av nätsladden ska kastas. Annars kan någon försöka använda den. Om en sådan kontakt sätts in i ett uttag utgör den en fara för elektriska stötar.

- * Pressade kontakter får aldrig användas utan att ett säkringsskydd är monterat.

Rätt säkringsskydd kan identifieras med tillverkarens referensnummer som anges på kontakten.

Säkringsskydd kan erhållas från Hoshizaki reservdels- och servicecenter.

Säkringar ska ha ett märkvärde på 10 A och vara godkända enligt BS 1362.

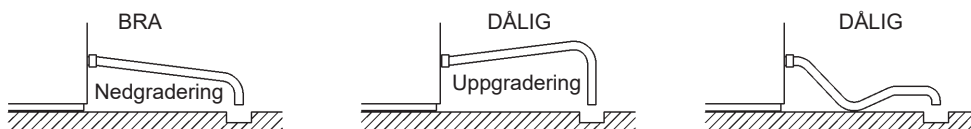
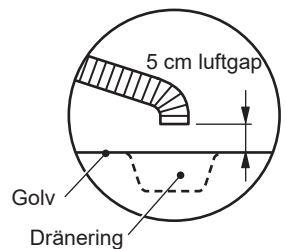
7. VATTEN- OCH DRÄNERINGSANSLUTNINGAR

⚠ VARNING

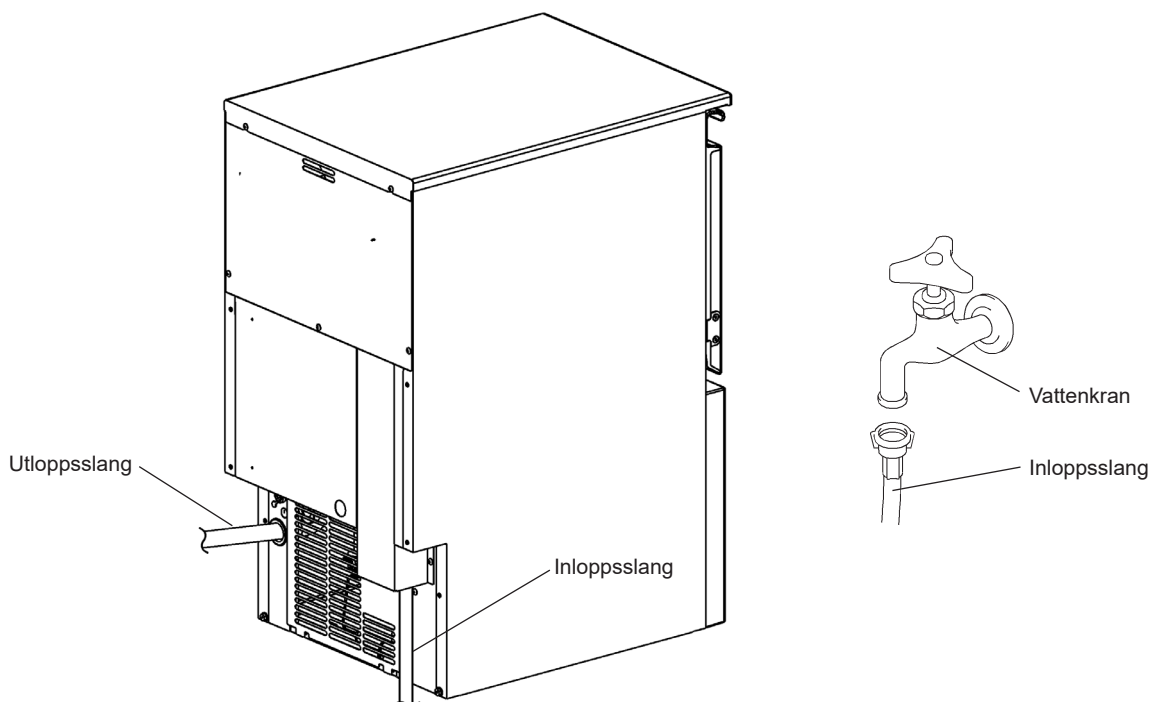


Anslut endast till en försörjning med kallt dricksvatten.

- * Anslutningarna till vattenledningsnätet måste utföras i enlighet med de aktuella föreskrifterna för vattenledningar och vattenkopplingar i landet.
- * Dricksvatten måste användas för istillverkning. På platser där kalk kan påverka vattenkvaliteten, rekommenderar vi att ett externt filter eller mjukgöringsmedel används. Kontakta en lokal fackman inom vattenbehandling eller Hoshizakis serviceombud.
- * Vattentrycket bör vara minst 0,07 MPa (0,7 bar) och högst 0,8 MPa (8 bar). Om trycket överstiger 0,8 MPa (8 bar) ska en ordentlig reducerventil användas. Stryp INTE matarkranen.
- * En licensierad rörmokare med tillstånd kan krävas på vissa platser.
- * Kontrollera att dräneringsslangen har tillräcklig lutning eller vinkel eftersom ismaskinen dräneras med självtryck.
- * Dräneringsslangar ska inte ledas direkt ut i avloppssystemet. Ett vertikalt luftgap på minst 5 cm ska finnas mellan ändarna på dräneringsslangarna från ismaskinen och golvbrunnen.
- * För att förhindra returflöde in i förvaringsfacket måste utloppsslangen dras så som visas.



- 1) Montera den fria änden på inloppsslangen på vattenkranen och kontrollera att brickan sitter på rätt plats. Dra åt för hand tillräckligt så att kopplingen inte läcker. Det är bra om det finns en stoppventil inom räckhåll som försiktighetsåtgärd.
- 2) Utloppsslangen kan skäras av till en längd som passar huvudavloppets position.



II. ANVÄNDNING

ANMÄRKNING

Alla delar är fabriksinställda. Felaktiga justeringar kan leda till fel.

Om ismaskinen stängs av ska du vänta i minst 3 minuter innan den startas igen för att förhindra skador på kompressorn.

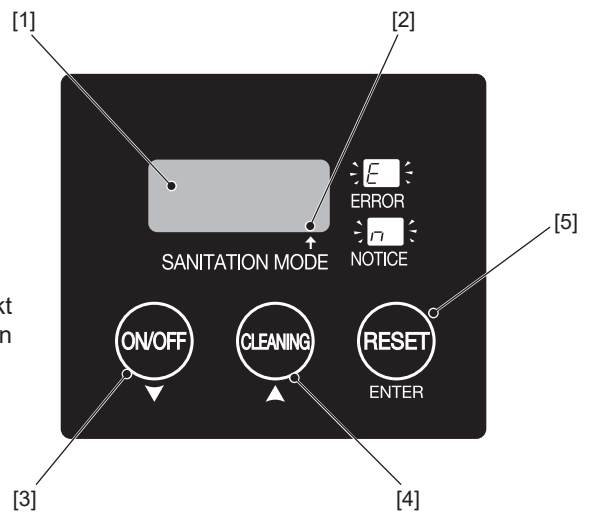
▲HYGIEN

Ismaskinen är utformad att producera is för förtäring. För att hålla ismaskinen hygieniskt ren:

- * Tvätta händerna innan du tar ut is. Använd plastskopan som medföljer (tillbehör).
- * Förvaringsfacket är endast avsett för is. Förvara inte något annat i facket och använd inga andra elektriska apparater i facket.
- * Rengör förvaringsfacket före användning (se "III. 1. RENGÖRING").
- * Håll skopan ren. Rengör det med ett neutralt rengöringsmedel och skölj noga.
- * Stäng dörren när du tagit ut is för att förhindra att smuts, damm eller insekter kommer in i förvaringsfacket.

Manöverpanel

- [1] Skärm
run: Istillverkning
oFF: Stäng av
FUL: Facket är fullt
cln: Rengöring
- [2] Punkt
Av: Normalt läge
På: Sanitetsläge (*)
* Efter 4 timmars inaktivitet rengör och sanerar ismaskinen automatiskt vattenkretsen för att förhindra bakteriespridning, vilket håller den ren och hygienisk under längre tidsperioder.
- [3] PÅ/AV-knapp/nedknapp
[4] Rengöringsknapp/uppknapp
[5] Återställningsknapp/returknapp



1. START

Installatören tar i vanliga fall ismaskinen i drift och startar den automatiska istillverkningen. För att säkerställa kontinuerlig drift ska du kontrollera att:

- * Vattentillförselns kran är på
- * Ismaskinen är ansluten till strömförsörjningen och
- * "run" visas på displayen.

2. ANVÄNDARINSTÄLLNINGAR

Inställningarna nedan kan justeras av användaren.

- 1) Håll återställningsknappen intryckt i 3 sekunder när du vill öppna användarinställningsläget. Displayen visar en av inställningskoderna.
- 2) Tryck på upp- eller nedknappen tills önskad inställningskod visas på displayen. Tryck sedan på returknappen.
- 3) Justera inställningen med upp- eller nedknappen. Tryck sedan på returknappen.
- 4) När inställningarna är klara trycker du på upp- eller nedknappen tills "END" visas på displayen. Tryck sedan på returknappen när du vill avsluta användarinställningsläget.

Kod	Del	Beskrivning	Standard
U.04	Dräneringsfrekvens	0: Ingen dränering 1: Varje cykel 2: Varannan cykel 5: Var 5:e cykel 10: Var 10:e cykel 20: Var 20:e cykel	10: Var 10:e cykel
U.44	Automatisk vattenrengöringsfrekvens	0: Ingen automatisk vattenrengöring 5: Var 5:e cykel 10: Var 10:e cykel 15: Var 15:e cykel 20: Var 20:e cykel 40: Var 40:e cykel 60: Var 60:e cykel	20: Var 20:e cykel
U.49	Antal kemiska doser (*)	När de kemiska doserna når det inställda antalet, visas koden "n93" tills det inte finns några kemikalier kvar.	KM-40: 15 gånger KM-60: 13 gånger KM-80: 12 gånger KM-140: 16 gånger
U.50	Helautomatisk kemisk rengöringsfrekvens (*)	Helautomatisk kemisk rengöring startar med den inställda frekvensen. Kan justeras från var 400:e till 1 000:e cykel (i steg om 100 cykler) t.ex. 40 = 400 cykler	–
U.51	UV-LED-strålningstid (**)	Bestrålning med UV-LED sker under en viss tidsperiod. Ingen eller justerbar från 10 till 30 minuter (i steg om 1 minut)	–
U.52	Frekvens för UV-LED-strålning (**)	Bestrålning med UV-LED under fryscykeln sker efter den angivna tidsperioden. Kan justeras från 30 till 300 minuter (i steg om 10 minuter)	120 minuter
U.53	Driftläge	nor: Normalt läge cln: Sanitetsläge (efter 4 timmars inaktivitet rengörs och saneras vattenkretsen automatiskt för att förhindra bakteriespridning.)	nor: Normalt läge
U.54	Helautomatiskt läge för kemisk rengöring (*)	När "cln" (sanitetsläge) väljs, kör enheten en cykel med helautomatisk kemisk rengöring genom att använda den helautomatiska rengöringssatsen (tillval) oavsett vilken frekvens som ställts in i U.50.	–
U.55	Återställ antalet kemiska doser (*)	Återställ meddelandekod "n93" (inga kemikalier finns kvar) och antal kemiska doser.	–
U.56	Återställ inställningarna	Återställer alla användarinställningar till standard.	–
U.58	Forcerad avstängning	Stänger av enheten oavsett förhållandena.	–
U.59	Forcerad dränering	Stänger av och tömmer enheten oavsett förhållandena.	–
U.60	Meddelande (t.ex. underhåll)	Meddelandekod "n99" visas efter angiven tidsperiod. Kan justeras från 0 (ingen) till 6 000 timmar (i steg om 100 timmar)	0: Ingen
U.68	Återställ meddelande	Återställ antal för meddelande U.60.	–

* Gäller endast modellen med helautomatisk rengöring (-W) eller när den helautomatiska rengöringssatsen (tillval) används.

** Gäller bara när UV-LED (tillval) används.

3. FÖRBEREDA ISMASKINEN FÖR LÅNGVARIG FÖRVARING

ANMÄRKNING

Ismaskinen fungerar inte när temperaturen är under noll. Dränera ismaskinen när lufttemperaturen är under noll för att förhindra skador på vattenledningen.

▲HYGIEN

Dränera ismaskinen för att förhindra föroreningar i vattenkretsen om ismaskinen ska stängas av i två dagar eller mer.

- 1) Tryck på PÅ/AV-knappen. "oFF" visas på displayen.
- 2) Håll återställningsknappen intryckt i 3 sekunder när du vill öppna användarinställningsläget.
- 3) Ställ in användarinställningen "U.59" på "1" för att dränera ismaskinen.
- 4) Koppla loss ismaskinen eller strömkällan.
- 5) Stäng av vattenkranen och ta bort inloppsslangen.
- 6) Ta bort all is från förvaringsfacket och rengör facket.
- 7) Rengör vattenkretsen kemiskt enligt "III. 1. [e] Vattensystem för istillverkning".
- 8) Innan du använder ismaskinen igen ska du rengöra vattenkretsen på nytt med färskvatten eller en kemisk lösning enligt "III. 1. [e] Vattensystem för istillverkning".

III. UNDERHÅLL

1. RENGÖRING

▲VARNING

Koppla bort ismaskinen från strömförsörjningen innan rengöring eller underhåll utförs.

Maskinen får inte rengöras genom att sprutas med vatten.

▲OBSERVERA

Läs de medföljande instruktionerna noga för att förhindra eventuella hälsorisker när du använder ett neutralt rengöringsmedel eller natriumhypoklorit.

ANMÄRKNING

Be en kvalificerad servicetekniker att rengöra och sanera ismaskinens vattensystem minst två gånger om året och att inspektera och rengöra kondensatorn minst en gång om året.

Rengör inte plastdelarna i vatten med en temperatur på över 40 °C eller i en diskmaskin för att undvika eventuella skador.

Använd inte alkohol för rengöring/sanering av ismaskinen. Det kan orsaka sprickor på plastdelarna.

▲HYGIEN

Förbered rengörings- och sanitetslösningarna precis innan de ska användas för att säkerställa deras effektivitet och hygieniska kvalitet.

[a] Maskinens och fackets utsida

Torka utsidan minst en gång i veckan med en ren och mjuk trasa. Torka bort fett och smuts med en trasa fuktad med neutralt rengöringsmedel.

[b] Rengöring/sanering av skopan och förvaringsfackets handtag (dagligen)

- 1) Blanda 3 liter vatten med 11 ml 5,25 % natriumhypokloritlösning i en lämplig behållare eller använd det rengöringsmedel som Hoshizaki rekommenderar enligt anvisningarna.

2) Blötlägg skopan i lösningen i mer än 3 minuter. Skölj noga och skaka för att få bort överflödigt vätska.

Obs: Skopan kan förorenas om du torkar den med en handduk.

3) Tvätta förvaringsfackets handtag med ett neutralt rengöringsmedel. Skölj noga.

4) Fukta en ren duk med rengöringsmedlet och torka handtaget. Använd rent vatten och en ren duk när du sköljer/torkar.

[c] Rengöring/sanering av förvaringsfackets insida (varje vecka)

1) Öppna förvaringsfackets dörr och ta ut all is.

2) Ta bort skophållaren från den lutande delen.

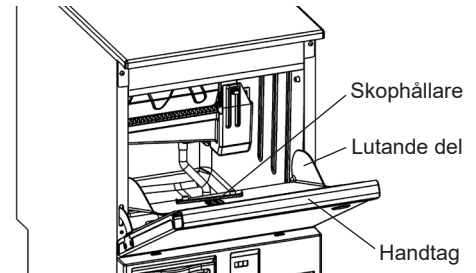
3) Tvätta fackets insats och skophållaren med ett icke-slipande, neutralt rengöringsmedel. Skölj noga.

4) Fukta en ren duk med det neutrala rengöringsmedlet och torka båda sidorna på den lutande delen och dörrens insida. Torka bort rengöringsmedlet med en ren och fuktad duk.

5) Blanda 3 liter vatten med 11 ml 5,25 % natriumhypokloritlösning i en lämplig behållare eller använd det rengöringsmedel som Hoshizaki rekommenderar enligt anvisningarna.

6) Fukta en ren svamp eller duk med lösningen och torka fackets insats, dörren, den lutande delen och skophållaren.

Obs: Rengör alla ytor på dörrpackningen som lätt smutsas ned. Den kan lätt tas bort för rengöring.



VIKTIGT

Dörrpackningen är försedd med en magnet upptill och på båda sidorna. För att säkerställa att dörren är lufttät ska du sätta tillbaka packningen ordentligt i rätt läge.

7) Den återstående lösningen kan användas för att rengöra redskap.

Obs: Låt lufttorka efter rengöringen, torka inte torrt eller skölj delarna.

[d] Luftfilter

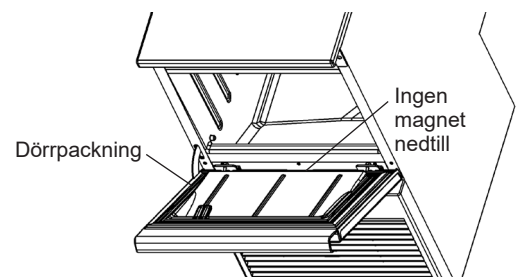
Luftfilter av plast avlägsnar smuts och damm från luften och förhindrar att kondensatorn täpps till. Ismaskinens prestanda försämras om filtren blir tilltäppta. Ta bort och rengör luftfiltren åtminstone två gånger per månad:

1) Ta bort luftfiltret.

Obs: Sätt inte in handen i maskinens fack.

2) Rengör luftfiltret med hjälp av en dammsugare. Tvätta luftfiltret med varmt vatten och ett neutralt rengöringsmedel om det är mycket tilltäppt.

3) Skölj och torka rent luftfiltret noggrant.



ANMÄRKNING

Kom ihåg att sätta tillbaka luftfiltret på plats efter rengöringen.

[e] Vattensystem för istillverkning

Vattenrengöring

Rengör vattenkretsen med rent vatten antingen automatiskt eller manuellt.

Automatisk vattenrengöring: Ställ in användarinställningen "U.44" på önskad frekvens (se "II. 2. ANVÄNDARINSTÄLLNINGAR").

Manuell vattenrengöring: Tryck på rengöringsknappen när "oFF" inte visas på displayen.

Ismaskinen återupptar automatiskt istillverkningen när vattenkretsen har gjorts ren.

Automatisk kemisk rengöring

Rengör vattenkretsen effektivt genom att fylla på en kemikalie manuellt.

⚠ OBSERVERA

Använd skyddsutrustning (t.ex. skyddsglasögon) när du använder citronsyra eller natriumhypokloritlösning. Lösningen kan flöda över och stänka i ögonen. Tvätta i så fall ögonen med rent vatten.

ANMÄRKNING

Om citronsyralösningen droppas på metalldelarna torkar du av dem noggrant för att förhindra rost.

1) Gör en av följande lösningar beroende på det avsedda ändamålet.

Rengöring (avkalkning): 3,5 liter 2 % citronsyralösning

Sanering: 3,5 liter vatten blandat med 13 ml 5,25 % natriumhypokloritlösning

2) Öppna dörren och ta bort all is från förvaringsfacket. Kontrollera att separatoren är monterad i rätt läge enligt bilden. Annars kan lösningen stänka på isen i förvaringsfacket.

3) Håll rengöringsknappen intryckt i 3 sekunder. Displayen blinkar i aktuellt läge. Till exempel bör "run" börja blinka på displayen som visar "run" under istillverkningen.

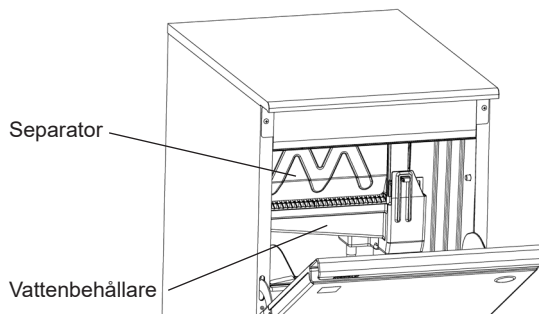
4) När displayen ändras till "cln" häller du försiktigt följande mängd lösning i vattentanken så att den inte överfylls.

KM-40C-HC: 2,0 liter

KM-60C-HC: 2,5 liter

KM-80C-HC: 3,0 liter

KM-140C-HC: 3,5 liter



5) Skölj fackets insats med rent vatten för att få bort eventuell lösning som spillts i förvaringsfacket. Stäng sedan dörren.

6) Tryck på rengöringsknappen (eller vänta i 15 minuter) för att starta den automatiska kemiska rengöringen.

7) Enheten återgår till ursprungsläget när rengöringen är klar.

⚠ VARNING

Om isen som tillverkas efter den automatiska kemiska rengöringen smakar underligt ska du omedelbart sluta använda ismaskinen och ringa service.

Helautomatisk kemisk rengöring (*)

* Endast tillgängligt på modellen med helautomatisk rengöring (-W) eller när den helautomatiska rengöringssatsen (tillval) används.

Den helautomatiska rengöringssatsen matar automatiskt in en kemikalie (1 250 ml 40 % citronsyralösning) och avkalkar vattenkretsen med önskad frekvens. Gör nödvändiga inställningar enligt "II. 2. ANVÄNDARINSTÄLLNINGAR".

Mer information finns i bruksanvisningen till den helautomatiska rengöringssatsen ACK.

2. INNAN DU RINGER SERVICE

⚠ VARNING

Skada inte kylkretsen.

Kontrollera följande innan du ringer service om ismaskinen inte fungerar som den ska eller om den inte fungerar alls:

* Ström matas till enheten.

* Vattnet är på.

* Lufffiltret är rent.

Om problemet kvarstår stänger du av strömförsörjningen, slår på den igen och trycker på återställningsknappen.

Om problemet kvarstår kontrollerar du om felkoden "E" visas på displayen eller om punkten i mitten lyser och kontaktar ett lokalt Hoshizaki-serviceombud.

Om någon av följande meddelandekoder visas följer du anvisningarna nedan.

Kod	Beskrivning
n92	Onormalt hög temperatur. Rengör luftfiltret. Kontrollera monteringen enligt "I. 4. PLACERING".
n93	Inga kemikalier finns kvar (när en helautomatisk rengöringssats (tillval) används). Byt ut eller fyll på kemikaliebehållaren och återställ med användarinställningen "U.55" (se "II. 2. ANVÄNDARINSTÄLLNINGAR"). Om du vill ändra meddelandefrekvensen använder du användarinställningen "U. 49".
n99	Tidsperioden som angetts med användarinställningen "U.60" (se "II. 2. ANVÄNDARINSTÄLLNINGAR") har gått och underhåll krävs. När underhållet är klart trycker du på återställningsknappen.

Kontakta ett lokalt Hoshizaki-serviceombud om du behöver mer hjälp eller rådgivning.


3. AVYTTRING

Följ alla lokala föreskrifter angående avyttring av enheten och köldmediumet. Ta loss dörren innan apparaten kastas för att förhindra att barn fastnar inuti.

Korrekt avyttring av produkten:

Denna markering anger att produkten inte ska kastas med hushållsavfall i EU. För att förhindra skador på miljön och människors hälsa på grund av felaktig avfallsdeponering ska enheten återvinnas så att materialen kan återanvändas på ett hållbart sätt. Använd ett retur- och insamlingsystem eller kontakta återförsäljaren där enheten köptes om du vill returnera en förbrukad enhet. De kan samla in produkten för miljövänlig återvinning.



⚠ VARNING	
 Risk för brand	Det isolerande skummedlet som används i enheten innehåller den antändbara gasen cyklopentan. Tänk på det så att produkten kasseras på rätt sätt.

4. GARANTI

Hoshizaki garanterar den ursprungliga ägaren/användaren att alla Hoshizaki-produkter är fria från material- och tillverkningsfel under garantiperioden. Garantin gäller i två år från installationsdatumet.

Hoshizakis garantiansvar är begränsat och inkluderar inte rutinöversyn, rengöring, nödvändigt underhåll och/eller reparationer som krävs på grund av missbruk eller installation som inte uppfyller Hoshizakis riktlinjer.

Garantireparationer ska utföras av en godkänd Hoshizaki-återförsäljare eller ett serviceombud med Hoshizaki originalkomponenter.

Kontakta återförsäljaren/leverantören eller närmaste Hoshizaki servicekontor om du vill ha fullständiga detaljer om garantin och godkända serviceombud:

Europa, Mellanöstern, Afrika

Hoshizaki UK – Storbritannien, Irland
 TEL: +44 845 456 0585
 FAX: +44 132 283 8331
 uksales@hoshizaki.uk

Hoshizaki Italia – Italien
 TEL: +39 344 0616467
 TEL: +39 348 3022156
 info@hoshizaki.it

Hoshizaki Deutschland – Tyskland, Schweiz, Österrike, Polen, Tjeckien, Slovakien
 TEL: +49 5121 697370
 FAX: +49 5121 6973719
 vertrieb@hoshizaki.de

Hoshizaki Denmark - Danmark
 TEL: +45 89 88 53 60
 salg@hoshizaki.dk

Hoshizaki France – Frankrike
 TEL: +33 1 48 63 93 80
 FAX: +33 1 48 63 93 88
 info@hoshizaki.fr

Hoshizaki Norge - Norge
 TEL: +47 22 88 17 50
 salg@hoshizaki.no

Hoshizaki Iberia – Spanien, Portugal
 TEL: +34 93 478 09 52
 FAX: +34 93 478 08 00
 info@hoshizaki.es

Hoshizaki Sweden - Sverige
 TEL: +46 108 84 87 47
 OrderSE@hoshizaki.dk

Hoshizaki Middle East – Mellanöstern
 TEL: +971 48 876 612
 FAX: +971 48 876 613
 sales@hoshizaki.ae

Hoshizaki Europe B.V. – alla andra länder i Europa och Afrika
 TEL: +31 20 6918499
 FAX: +31 20 6918768
 sales@hoshizaki.nl

Hoshizaki Benelux – Nederländerna, Belgien, Luxemburg
 TEL: +31 85 018 83 70
 info@hoshizaki.nl

SPECIFIKATIONER

Modell	KM-40C-HC	KM-60C-HC	KM-80C-HC	KM-140C-HC
Typ	Luftkyld, halvmånformade isbitar	Luftkyld, halvmånformade isbitar	Luftkyld, halvmånformade isbitar	Luftkyld, halvmånformade isbitar
Strömförsörjning	1-fas 220 - 240 V 50 Hz	1-fas 220 - 240 V 50 Hz	1-fas 220 - 240 V 50 Hz	1-fas 220 - 240 V 50 Hz
Elförbrukning	209 W	242 W	299 W	564 W
Istillverkning per dygn	43 kg (Omgivningstemp 10 °C, vattentemp 10 °C)	60 kg (Omgivningstemp 10 °C, vattentemp 10 °C)	75 kg (Omgivningstemp 10 °C, vattentemp 10 °C)	135 kg (Omgivningstemp 10 °C, vattentemp 10 °C)
Mått	452 mm (B) x 610 mm (D) x 988 mm (H)	605 mm (B) x 610 mm (D) x 988 mm (H)	605 mm (B) x 712 mm (D) x 988 mm (H)	630 mm (B) x 719 mm (D) x 1333 mm (H)
Köldmedium	R290, 68 g	R290, 90 g	R290, 147 g	R290, 110 g
Jäsmedel för isolerskum	HFC-fritt	HFC-fritt	HFC-fritt	HFC-fritt
Vikt	Netto: 39 kg (Brutto: 49 kg)	Netto: 45 kg (Brutto: 57 kg)	Netto: 50 kg (Brutto: 63 kg)	Netto: 69 kg (Brutto: 81 kg)
Omgivningstemp.	7 – 38 °C	7 – 38 °C	7 – 38 °C	7 – 38 °C
Vattentemp.	7 – 32 °C	7 – 32 °C	7 – 32 °C	7 – 32 °C
Vattentryck	0,07 – 0,8 MPa (0,7 – 8 bar)	0,07 – 0,8 MPa (0,7 – 8 bar)	0,07 – 0,8 MPa (0,7 – 8 bar)	0,07 – 0,8 MPa (0,7 – 8 bar)
Spänningsområde	Märkspänning ± 6 %	Märkspänning ± 6 %	Märkspänning ± 6 %	Märkspänning ± 6 %

Modell	KM-40C-HC-W	KM-60C-HC-W	KM-80C-HC-W	KM-140C-HC-W
Typ	Luftkyld, halvmånformade isbitar, helautomatisk rengöring	Luftkyld, halvmånformade isbitar, helautomatisk rengöring	Luftkyld, halvmånformade isbitar, helautomatisk rengöring	Luftkyld, halvmånformade isbitar, helautomatisk rengöring
Strömförsörjning	1-fas 220 - 240 V 50 Hz	1-fas 220 - 240 V 50 Hz	1-fas 220 - 240 V 50 Hz	1-fas 220 - 240 V 50 Hz
Elförbrukning	209 W	242 W	299 W	564 W
Istillverkning per dygn	43 kg (Omgivningstemp 10 °C, vattentemp 10 °C)	60 kg (Omgivningstemp 10 °C, vattentemp 10 °C)	75 kg (Omgivningstemp 10 °C, vattentemp 10 °C)	135 kg (Omgivningstemp 10 °C, vattentemp 10 °C)
Mått	452 mm (B) x 610 mm (D) x 988 mm (H)	605 mm (B) x 610 mm (D) x 988 mm (H)	605 mm (B) x 712 mm (D) x 988 mm (H)	630 mm (B) x 719 mm (D) x 1333 mm (H)
Köldmedium	R290, 68 g	R290, 90 g	R290, 147 g	R290, 110 g
Jäsmedel för isolerskum	HFC-fritt	HFC-fritt	HFC-fritt	HFC-fritt
Vikt	Netto: 41 kg (Brutto: 51 kg)	Netto: 47 kg (Brutto: 59 kg)	Netto: 52 kg (Brutto: 65 kg)	Netto: 71 kg (Brutto: 83 kg)
Omgivningstemp.	7 – 38 °C	7 – 38 °C	7 – 38 °C	7 – 38 °C
Vattentemp.	7 – 32 °C	7 – 32 °C	7 – 32 °C	7 – 32 °C
Vattentryck	0,07 – 0,8 MPa (0,7 – 8 bar)	0,07 – 0,8 MPa (0,7 – 8 bar)	0,07 – 0,8 MPa (0,7 – 8 bar)	0,07 – 0,8 MPa (0,7 – 8 bar)
Spänningsområde	Märkspänning ± 6 %	Märkspänning ± 6 %	Märkspänning ± 6 %	Märkspänning ± 6 %

VIKTIG SIKKERHETSINFORMASJON

I denne bruksanvisningen vil det være merknader som skal henlede oppmerksomheten din på situasjoner som kan medføre dødsfall, alvorlig personskade eller som kan skade maskinen.

▲ADVARSEL	Angir en farlig situasjon, som hvis den ikke unngås, kan føre til alvorlig personskade, eventuelt med døden til følge.
▲FORSIKTIG	Angir en farlig situasjon, som hvis den ikke unngås, kan føre til mindre eller moderate personskader.
MERK	Angir en farlig situasjon, som hvis den ikke unngås, kan føre til at maskinen blir skadet.
▲HYGIENE	Angir viktige forholdsregler for hygiene og matsikkerhet.
VIKTIG	Angir viktig informasjon om bruk og stell av maskinen.

Denne ismaskinen bruker HFC-fritt kjølemiddel (propan) som er et ikke-ozonreducerende og miljømessig bærekraftig materiale, med meget lavt bidrag til global oppvarming.

▲ADVARSEL	
Denne ismaskinen inneholder et brannfarlig kjølemiddel i kjølesystemet. Installasjon, håndtering, vedlikehold og påfylling må derfor bare utføres av autoriserte teknikere.	
Kjølemiddelet som denne isbitmaskinen inneholder er brannfarlig og forseglet i kjølesystemet. Selv om kjølemiddelet ikke lekker ut under normal bruk, må isbitmaskinen behandles forsiktig slik at systemet ikke blir skadet.	
I tilfelle kjølesystemet blir skadet ved et uhell som fører til at det lekker ut kjølemiddel:	
<ul style="list-style-type: none"> * Ikke ha en antenneskilde i området. * Ikke bruk noen elektriske brytere eller plugger i området. * Ikke bruk åpen flamme. * Ventiler området straks ved å åpne dører og/eller vinduer. * Ring en servicetekniker. 	
VIKTIG	
Denne håndboken er en integrert og vesentlig del av produktet, og skal oppbevares trygt for brukerens fremtidige bruk.	
Les retningslinjene og instruksjonene i dette dokumentet nøye, da de gir brukeren viktig informasjon om korrekt installasjon og trygg bruk og vedlikehold av produktet.	
Ta godt vare på denne håndboken for eventuell fremtidig referanse.	

⚠ADVARSEL

Dette er en kommersiell ismaskin, og skal kun brukes til det formål den er utviklet til. All annen bruk er uegnet, og derfor farlig. Produsenten skal ikke holdes ansvarlig for skade som følge av uaktsom, feil og ufornuftig bruk.

Installasjon, og flytting hvis det blir nødvendig, skal utføres av en kvalifisert fagperson i henhold til gjeldende forskrifter og produsentens instruksjoner.

Hold ventilasjonsåpningene frie for hindringer på apparatet eller den innebygde strukturen.

Ikke bruk mekaniske gjenstander eller annet for å øke farten til avisningsprosessen, annet enn med de metodene som produsenten anbefaler.

Visse grunnregler må alltid følges ved bruk av alt elektrisk utstyr. Vær spesielt oppmerksom på at:

* Høy fuktighet og vann øker faren for kortslutninger og elektrisk støt. Dersom du skulle være i tvil, må du koble fra isbitmaskinen.

* Ikke skad strømledningen eller koble maskinen fra strømmettet ved å trekke i strømledningen.

* Hvis strømledningen er skadet, må den skiftes ut med en ny ledning som er tilgjengelig fra Hoshizaki dele-/servicesentre.

* Ikke berør de elektriske delene eller bryterne med fuktige hender.

* Dette apparatet er ikke ment for bruk av personer (inkludert barn) med reduserte fysiske, sensoriske eller mentale evner, eller mangel på erfaring og kunnskap. Det kan imidlertid brukes av barn over åtte år og personer med reduserte fysiske, sensoriske eller mentale evner, eller mangel på erfaring og kunnskap, forutsatt at de holdes under oppsyn eller har blitt instruert angående bruken av apparatet, av en person som er ansvarlig for sikkerheten deres.

* Ikke la barn leke med maskinen.

* Rengjøring og vedlikehold må ikke utføres av barn uten oppsyn.

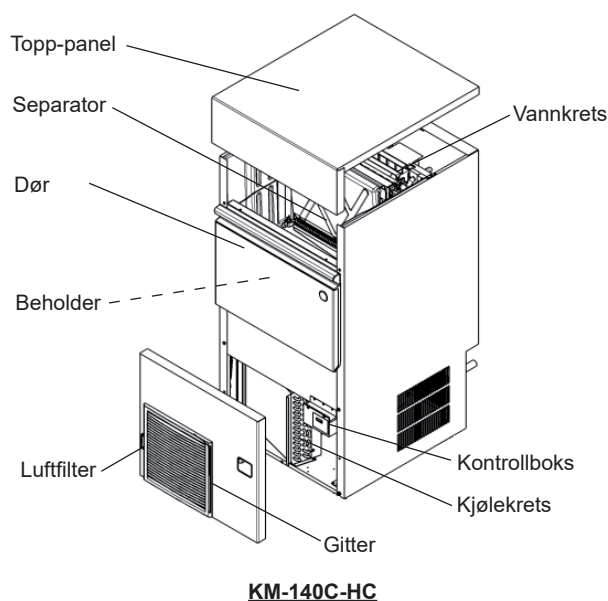
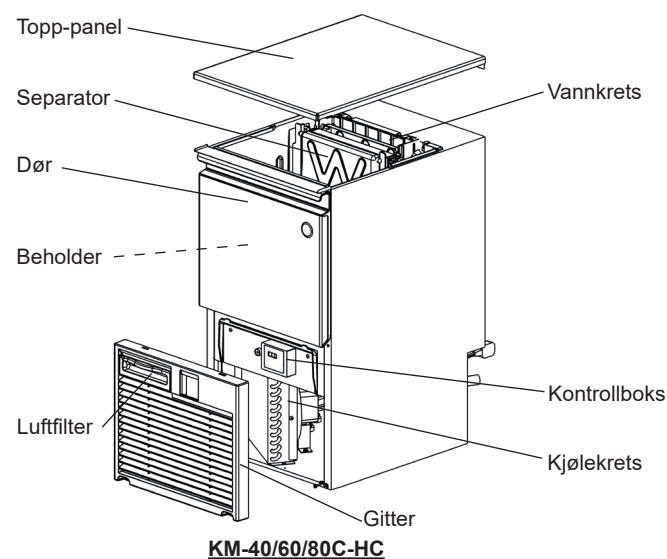
* Ikke forsøk å modifisere isbitmaskinen. Bare kvalifiserte teknikere skal demontere eller reparere maskinen.

Pass på at strømledningen ikke klemmes eller skades når apparatet settes på plass.

Ikke la det ligge skjøteledninger eller bærbare strømforsyninger bak apparatet.

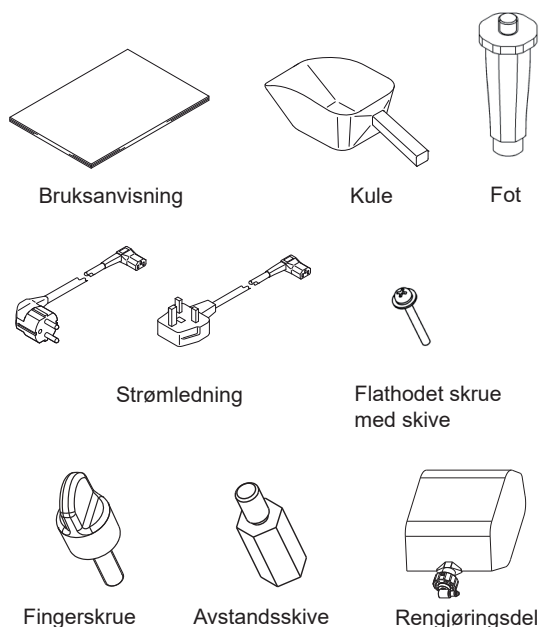
I. INSTALLASJONSVEILEDNING

1. KONSTRUKSJON



2. TILBEHØR

	KM-40C-HC KM-60C-HC KM-80C-HC	KM-140C-HC	KM-40C-HC-W KM-60C-HC-W KM-80C-HC-W	KM-140C-HC-W
Bruksanvisning	1	1	1	1
Kule	1	1	1	1
Fot	4	4	4	4
Strømledning (det europeiske fastlandet)	1	1	1	1
Strømledning (Storbritannia)	1	1	1	1
Flathodet skrue med skive (M4 x 30) (gitterfeste)	2	-	-	-
Fingerskrue (gitterfeste)	-	-	2	1
Avstandsskive (M4) (gitterfeste)	-	-	2	-
Rengjøringsdel	-	-	1	1



3. PAKKE OPP

⚠ADVARSEL

Barn skal holdes på god avstand fra emballasjeelementene (plastposer og ekspandert polystyren), da disse er potensielle farekilder.

⚠FORSIKTIG

Ikke løft eller manøvrer kartongen med fraktbåndene.

Når du flytter maskinen for hånd, må du ta av gitteret og holde nederst på maskinen. Du skal ikke holde i topp-panelet eller døren. Disse kan løsne og forårsake personskaade.

Bruk alltid vernehansker når du bærer enheten.

Når du håndterer kartongen eller den upakkede enheten, jobb i par for å unngå skade.

MERK

Fjern kartonger, tape og innpakning. Ismaskinen vil ikke fungere som den skal dersom den er fylt med emballasje.

NORSK

- 1) Etter at emballasjen er fjernet, må du sjekke at ismaskinen er i god stand. Ikke bruk ismaskinen dersom du er i tvil. Ta kontakt med fagperson.
- 2) Fjern frakttapen som holder døren og separatore.
- 3) Fjern beskyttelsesplasten utvendig. Dersom ismaskinen er utsatt for sol eller sterk varme, skal plastfilmen tas av etter at ismaskinen er avkjølt.
- 4) Fjern pakken med ekstrautstyr. Sjekk innholdet i henhold til "2. TILBEHØR".

4. PLASSERING

▲ADVARSEL

Denne isbitmaskinen er ikke ment til utendørs bruk.

Isbitmaskinen skal ikke plasseres ved siden av ovner, grillelementer eller annet utstyr som utstråler varme.

Apparatet bør ikke installeres slik at det kan bli utsatt for vannsprut.

▲FORSIKTIG

Stedet må ha et underlag som er hardt og jevnt.

MERK

Ikke plasser andre gjenstander oppå isbitmaskinen eller foran gitteret.

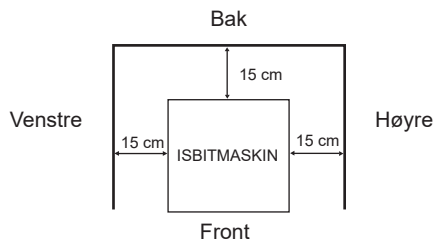
VIKTIG

Omgivelsestemperaturen under drift skal normalt ligge på mellom 7 °C og 38 °C. Vanntemperaturen under drift skal normalt ligge på mellom 7 °C og 32 °C. Bruk av isbitmaskinen i lengre perioder utenfor dette temperaturområdet kan påvirke produksjonskapasiteten.

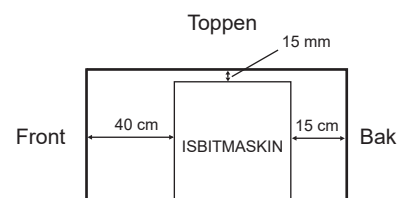
La det være en klaring, som oppgitt nedenfor, slik at det blir nok luftsirkulasjon og slik at det er enkelt å komme til vedlikehold og/eller eventuell service.

[KM-40/60/80C-HC(-W)]

Sett ovenfra

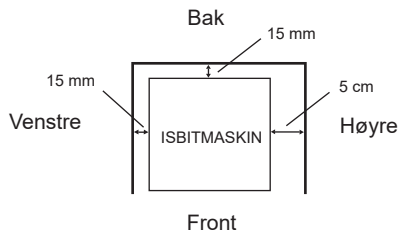


Sett fra siden

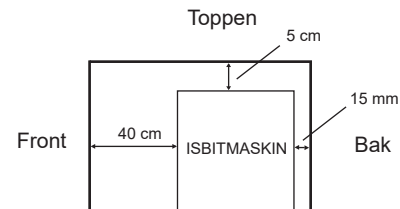


[KM-140C-HC(-W)]

Sett ovenfra



Sett fra siden



I noen omgivelser med høy fuktighet kan det dannes kondens i maskinen som kan dryppe på gulvet. Ikke installer maskinen der gulvet kan ta skade av vann.

Unngå at maskinen utsettes for direkte sollys i lengre perioder.

5. INSTALLASJON

▲FORSIKTIG

Feil installasjon kan føre til skade på mennesker, dyr eller andre elementer som produsenten ikke kan holdes ansvarlig for.

- * Plasser ismaskinen på valgte, permanente stedet.
- * Apparatet må plasseres slik at støpselet er lett tilgjengelig.
- * Niveller isbitmaskinen både sideveis og front mot bak ved å justere bena.

6. ELEKTRISKE TILKOBLINGER

▲ADVARSEL

DETTE APPARATET MÅ VÆRE JORDET

Denne isbitmaskinen må tilkobles jord i henhold til lokale forskrifter for elektriske installasjoner.

Ismaskinen skal kobles til en jordledning for å unngå stor støffare for mennesker og vesentlig skade på enheten.

Ta ut støpselet før det utføres noe vedlikehold, reparasjon eller rengjøring.

- * Dette apparatet krever en separat forsyning med 220–240 VAC, 10 A. Strømforsyningen må være beskyttet av en egnet effektbryter.
- * Hovedkontrollboksikringen er klassifisert til 5 A og må kun byttes ut av en kvalifisert servicetekniker.
- * Vanligvis er det nødvendig med en elektrisk installasjonstillatelse og at installasjonen utføres av en autorisert elektriker.

Kun for Storbritannia og Irland


- * Kobbertrådene i strømledningen er fargekodet på følgende måte:

Grønn og gul = jord

Blå = nøytral

Brun = strømførende

Da fargene på kobbertrådene i apparatets strømledning kan avvike fra fargemerkingen på terminalene i støpselet, bør du gå frem på følgende måte:

Den grønne og gule kobbertråden må kobles til terminalen i støpselet som er merket med bokstaven E eller med symbolet , eller eventuelt merket med grønt eller grønt og gult. Den blå kobbertråden må kobles til terminalen som er merket N eller fargen svart. Den brune kobbertråden må kobles til terminalen som er merket L eller fargen rød.

- * Dersom stikkontaktene på installasjonsstedet ikke samsvarer med produktets støpsel, må støpselet byttes (skjær av dersom det er støpt fast) med riktig type støpsel.

Dersom et støpsel som ikke kan kobles om skjæres av strømledningen, må dette kastes. Forsøk aldri å bruke dette på annen måte. Stor fare for elektrisk støt kan oppstå dersom et slikt støpsel settes inn i en stikkontakt.

- * Støpselet må aldri brukes uten sikringsdeksel.

Korrekt erstatning for avtakbare sikringsdeksler finner du på produsentens referansenummer som er stemplet på støpselet.

Sikringsdeksler kan bestilles som reservedeler fra Hoshizakis dele-/servicesentre.

Sikringer skal være dimensjonert for 10 A og godkjent i henhold til BS 1362.

7. VANNTILFØRSEL OG AVLØP

⚠ADVARSEL

Må bare kobles til en drikkevannsforsyning.



* Tilkoblingene til vannforsyningen må utføres i henhold til ditt lands gjeldende forskrifter om vannforsyning eller vanninstallasjoner.

* Vannet i isbitmaskinen må være drikkevann. Der det er et problem med avleiring som kan skyldes vannkvaliteten, anbefales det å installere et eksternt filter eller vannmykner. Ta kontakt med et selskap som driver med vannkvalitet eller ta kontakt med Hoshizaki.

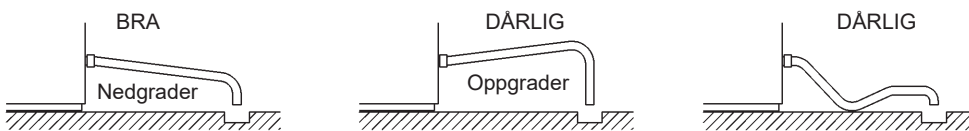
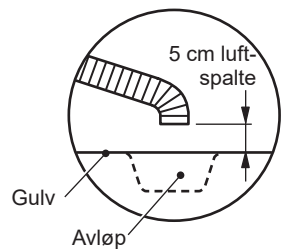
* Vanntrykket skal være på minimum 0,07 MPa (0,7 bar) og maksimum 0,8 MPa (8 bar). Hvis trykket overgår 0,8 MPa (8 bar), må du bruke en godkjent trykkreduksjonsventil. Vanninntaket skal IKKE strupes.

* I noen områder kan det være påkrevd å benytte en autorisert rørlegger.

* Isbitmaskinens avløpsslange er basert på tyngdekraft, så sørg for at fallet er høyt nok.

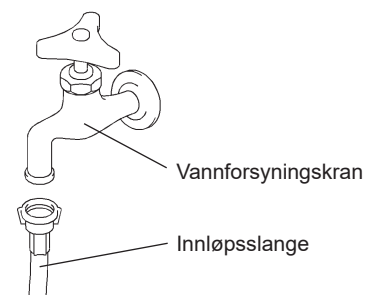
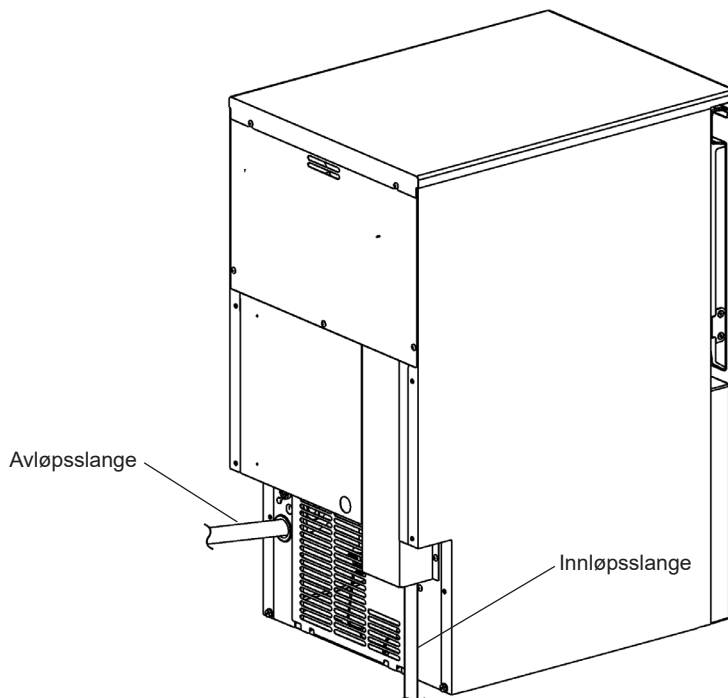
* Avløpsrør bør ikke monteres direkte til kloakksystemet. Det bør være en vertikal luftspalte på minimum 5 cm mellom enden av avløpsslangene fra isbitmaskinen og sluket.

* Avløpsslangen må legges som anvist for å hindre tilbakestrømning til beholderen.



1) Fest den andre enden av innløpsslengen til vannforsyningskranen og pass godt på at tetningsringen er korrekt plassert. Håndstram til tilkoblingen blir lekkasjefri. Det er en klok forholdsregel å ha en stoppventil innen rekkevidde.

2) Slangen kan skjæres av og tilpasses avstand til hovedavløp.



II. BRUK

MERK

Alle deler er fabrikkjusterte. Feiljustering kan føre til at feil oppstår.

Hvis enheten slås av, må du vente i minst 3 minutter før isbitmaskinen startes på nytt for å unngå skade på kompressoren.

▲HYGIENE

Isbitmaskinen er utviklet til produksjon av spiselig is. For å holde isbitmaskinen hygienisk:

- * Vask hendene dine før du tar ut is. Bruk den medleverte plastskuffen (tilbehør).
- * Beholderen må bare brukes til is. Ikke oppbevar noe annet i beholderen, eller bruk noe annet elektrisk apparat i beholderen.
- * Rengjør beholderen før bruk (se «III. 1. RENGJØRING»).
- * Hold skuffen ren. Rengjør ved hjelp av nøytralt rengjøringsmiddel, og skyll grundig.
- * Lukk døren etter at du har tatt ut isen for å forhindre at det kommer inn skitt, støv eller insekter i beholderen.

Kontrollpanel

[1] Skjerm

run: Lager isbiter
oFF: Slått av
FUL: Beholder er full
cln: Rengjør

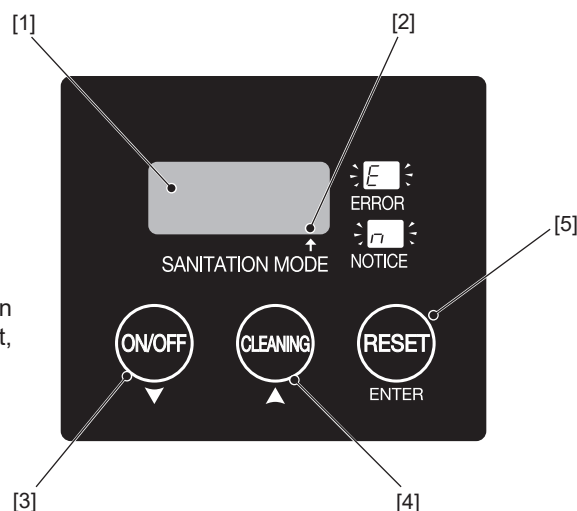
[2] Prikk

Slukket: Normal modus
Lyser: Desinfisering (*)
* Etter 4 sammenhengende timer med inaktivitet vil isbitmaskinen automatisk rengjøre og skylle vannkretsen for å hindre bakterievekst, slik at maskinen holder seg ren og desinfisert lenger.

[3] På/av-knapp / Ned-knapp

[4] Rengjøring-knapp / Opp-knapp

[5] Tilbakestilling-knapp / Enter-knapp



1. OPPSTART

Installatøren vil vanligvis sette i gang isbitmaskinen slik at den begynner å lage isbiter automatisk. For å sikre en sammenhengende drift:

- * Vannkranen må være åpen,
- * Isbitmaskinen er tilkoblet strømforsyningen og
- * Skjermen viser "run".

2. BRUKERINNSTILLINGER

Innstillingene nedenfor kan tilpasses av brukeren.

- 1) Trykk på og hold inne tilbakestillingsknappen i 3 sekunder for å åpne brukerinnstillingene. Skjermen viser én av innstillingskodene.
- 2) Trykk på opp- eller ned-knappen inntil skjermen viser den aktuelle innstillingskoden. Trykk deretter på Enter-knappen.
- 3) Trykk på opp- eller ned-knappen for å justere innstillingen. Trykk deretter på Enter-knappen.
- 4) Når du har utført innstillingene, trykker du på opp- eller ned-knappen inntil skjermen viser "END". Trykk deretter på Enter-knappen for å avslutte brukerinnstillingene.

Kode	Element	Beskrivelse	Standard
U.04	Intervall for tømning	0: Ingen tømning 1: Etter 1 syklus 2: Etter 2 sykluser 5: Etter 5 sykluser 10: Etter 10 sykluser 20: Etter 20 sykluser	10: Etter 10 sykluser

Kode	Element	Beskrivelse	Standard
U.44	Intervall for automatisk vannrengjøring	0: Ingen automatisk vannrengjøring 5: Etter 5 sykluser 10: Etter 10 sykluser 15: Etter 15 sykluser 20: Etter 20 sykluser 40: Etter 40 sykluser 60: Etter 60 sykluser	20: Etter 20 sykluser
U.49	Antall kjemikaliedoser (*)	Når kjemikaliedoser når innstilt antall ganger, vises koden "n93" for å varsle at det er tomt for kjemikaliedoser.	KM-40: 15 ganger KM-60: 13 ganger KM-80: 12 ganger KM-140: 16 ganger
U.50	Intervall for helautomatisk kjemikalierengjøring (*)	Start helautomatisk kjemikalierengjøring med innstilt intervall. Kan justeres etter 400 til 1000 sykluser (i trinn på 100 sykluser) f.eks. 40 = 400 sykluser	–
U.51	Bestrålingstid med UV-LED (**)	Bestrål med UV-LED i innstilt tid. Ingen eller justerbar fra 10 til 30 minutter (i trinn på 1 minutt)	–
U.52	Intervall for bestråling med UV-LED (**)	Bestrål med UV-LED i frysesyklus etter innstilt tid. Kan justeres etter 30 til 300 minutter (i trinn på 10 minutter)	120 minutter
U.53	Drift	nor: Normal modus cln: Desinfisering (Etter 4 sammenhengende timer med inaktivitet rengjøres og skylles vannkretsen automatisk for å hindre bakterievekst.)	nor: Normal modus
U.54	Modus for helautomatisk kjemikalierengjøring (*)	Når "cln" (desinfisering) velges, kjører maskinen én syklus med helautomatisk kjemikalierengjøring ved hjelp av settet for helautomatisk rengjøring (tilleggsutstyr), uavhengig av intervallet som er innstilt for U.50.	–
U.55	Tilbakestill antall kjemikaliedoser (*)	Tilbakestill koden "n93" (tomt for kjemikaliedoser) og antall kjemikaliedoser.	–
U.56	Tilbakestill innstillinger	Tilbakestill alle brukerinnstillinger til standard.	–
U.58	Tvungen avslutning	Slå av maskinen under alle forhold.	–
U.59	Tvungen tømning	Slå av og tøm maskinen under alle forhold.	–
U.60	Varsel (f.eks. vedlikehold)	Koden "n99" vises etter innstilt tid. Kan justeres etter 0 (ingen) til 6000 timer (i trinn på 100 timer)	0: Ingen
U.68	Varsel om tilbakestilling	Tilbakestill teller for varsel U.60.	–

* Gjelder kun modellen med helautomatisk rengjøring (-W) eller når settet for helautomatisk rengjøring (tilleggsutstyr) brukes.

** Gjelder kun når UV-LED (tilleggsutstyr) brukes.

3. KLARGJØRING AV ISBITMASKINEN FOR LANG OPPBEVARING

MERK

Denne isbitmaskinen vil ikke virke ved temperaturer under null. For å forhindre skade på vanntilførselsrørene, tøm isbitmaskinen når lufttemperaturen er under null.

▲HYGIENE

Når du slår av isbitmaskinen i to eller flere dager bør isbitmaskinen tømmes for å forhindre forurensning i vannkretsen.

- 1) Trykk på På/av-knappen. Skjermen viser "oFF".
- 2) Trykk på og hold inne tilbakestillingsknappen i 3 sekunder for å åpne brukerinnstillingene.
- 3) Sett brukerinnstilling "U.59" til "1" for å tømme isbitmaskinen.
- 4) Trekk ut isbitmaskinen eller koble fra strømforsyningen.
- 5) Steng vannkranen, og fjern inntaksslangen.

- 6) Fjern all is fra beholderen, og rengjør beholderen.
- 7) Rengjør vannkretsen med kjemikalier i henhold til "III. 1. [e] Vannsystem for isbitproduksjon".
- 8) Før isbitmaskinen brukes igjen må vannkretsen rengjøres med rent vann eller en kjemikalieløsning i henhold til "III. 1. [e] Vannsystem for isbitproduksjon".

III. VEDLIKEHOLD

1. RENGJØRING

▲ADVARSEL
Før det utføres rengjøring eller vedlikehold, skal isbitmaskinen kobles fra strømmettet.
Dette apparatet må ikke rengjøres med spyling.
▲FORSIKTIG
Når du bruker et nøytralt rengjøringsmiddel eller natriumhypokloritt, må du lese og forstå instruksjonene som er medlevert, for å forhindre mulige helseproblemer.
MERK
Be en godkjent person om å rengjøre og desinfisere isbitmaskinens vannsystem minst to ganger i året og å sjekke og rengjøre kondensatoren minst en gang i året.
For å forhindre mulig skade må plastdelene ikke rengjøres med vann over 40 °C eller i en oppvaskmaskin.
Bruk ikke alkoholholdig rengjøringsmiddel til å rengjøre/desinfisere isbitmaskinen. Det kan forårsake sprekker i plastdelene.
▲HYGIENE
Lag løsningene til rengjøring og desinfisering rett før bruk for å sikre optimal effekt og hygienisk kvalitet.

[a] Maskinen og beholderen sett utenfra

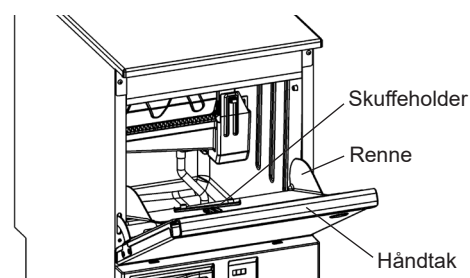
Tørk utvendig minst én gang i uken med en ren og myk klut. Bruk en fuktig klut med naturlige rengjøringsmidler til å tørke av fett eller smuss.

[b] Rengjøring/desinfisering av skuffe og håndtaket på beholderen (daglig)

- 1) Bland 3 liter vann med 11 ml av 5,25 % natriumhypokloritt i en egnet beholder, eller bruk desinfeksjonsmiddelet anbefalt av Hoshizaki som anvist.
- 2) La skuffen ligge i løsningen i mer enn 3 minutter. Skyll godt og rist for å fjerne overskytende væske.
Merk: Tørker du over med en tørr klut, kan det føre til ny kontaminasjon.
- 3) Bruk et nøytralt rengjøringsmiddel til å vaske håndtaket på beholderen. Skyll godt.
- 4) Bløt en ren klut i desinfiseringsløsningen, og tørk håndtaket. Bruk friskt vann og en ren klut til å skylle/tørke.

[c] Rengjøring/desinfisering av beholderen innvendig (ukentlig)

- 1) Åpne døren på beholderen og ta ut all isen.
- 2) Ta ut skuffeholderen fra rennen.
- 3) Vask føringen til beholderen og skuffeholderen med et nøytralt rengjøringsmiddel som ikke er slipende. Skyll godt.
- 4) Fukt en ren klut i den nøytrale løsningen, og tørk begge sider av rennen og innsiden av døren. Tørk av rengjøringsmiddelet med en ren og fuktig klut.



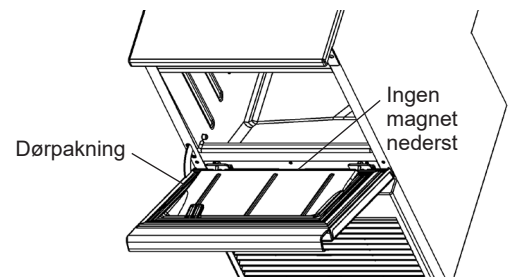
NORSK

- 5) Bland 3 liter vann med 11 ml av 5,25 % natriumhypokloritt i en egnet beholder, eller bruk desinfeksjonsmiddelet anbefalt av Hoshizaki som anvist.
- 6) Fukt en ren svamp eller klut i løsningen, og tørk over beholderens føring og dør, rennen og skuffeholderen.

Merk: Rengjør dørpakningen godt. Den blir lett skitten. Den kan enkelt tas av og rengjøres.

VIKTIG

Dørpakningen er utstyrt med en magnet øverst og på hver side. Sørg for at pakningen settes riktig på plass slik at døren er helt tett.



- 7) Resten av løsningen kan brukes til å rengjøre tilbehøret.

Merk: Ikke tørk av eller skylt etter desinfisering, men la maskinen lufttørke.

[d] Luftfilter

Luftfiltre med plastmasker fjerner smuss og støv fra luften og sørger for at kondensatoren ikke blir tilstoppet. Dersom filteret blir tilstoppet, blir ismaskinens ytelse nedsatt. Fjern og rengjør luftfilteret (filtrene) minst to ganger i måneden:

- 1) Fjern luftfilteret.

Merk: Du må ikke stikke hånden inn i isbitmaskinen.

- 2) Rengjør luftfilteret med en støvsuger. Dersom det er svært tilstoppet, skal det rengjøres med varmt vann og et nøytralt rengjøringsmiddel.

- 3) Skylt og tørk luftfilteret nøye.

MERK

Etter at du har gjort rent, må du sette luftfilteret tilbake på plass.

[e] Vannsystem for isbitproduksjon

Vannrengjøring

Rengjør vannkretsen med rent vann, enten automatisk eller manuelt.

Automatisk vannrengjøring: Still brukerinnstilling "U.44" til ønsket intervall (se "II. 2. BRUKERINNSTILLINGER").

Manuell vannrengjøring: Trykk på Rengjøring-knappen mens skjermen ikke viser "oFF".

Isbitmaskinen fortsetter automatisk å produsere isbiter etter rengjøring av vannkretsen.

Automatisk kjemikalierengjøring

Rengjør vannkretsen effektivt ved å tilsette kjemikalier manuelt.

▲ FORSIKTIG

Bruk verneutstyr (f.eks. vernebriller) når du bruker løsningen med sitronsyre eller natriumhypokloritt. Løsningen kan sprute ut, slik at du får det i øynene. Vask i så fall øynene med rent vann.

MERK

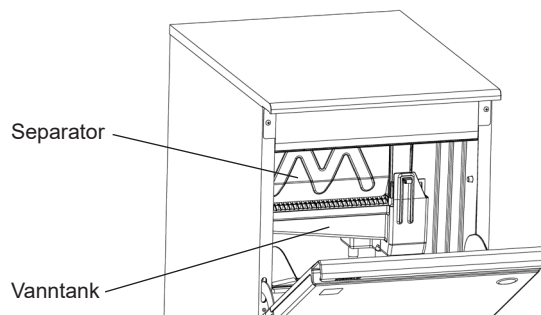
Hvis det drypper sitronsyreløsning på metalldelene, må den tørkes godt av for å unngå rust.

- 1) Lag én av løsningene nedenfor tilpasset formålet.

Rengjøring (avkalking): 3,5 liter med 2 % sitronsyreløsning

Desinfisering: 3,5 liter med vann blandet med 13 ml med 5,25 % natriumhypoklorittløsning

- 2) Åpne døren, og fjern all is fra beholderen. Kontroller at separatore er festet i riktig posisjon, som anvist. Ellers kan løsningen sprute ut på isbitene i beholderen.
- 3) Trykk på og hold Rengjøring-knappen inne i 3 sekunder. Skjermen blinker den aktuelle modusen. For eksempel vil skjermen som viser "run" under isbitproduksjonen, begynne å blinke "run".
- 4) Når skjermen endres til "cln", tilsetter du riktig mengde med løsning i vanntanken. Vær forsiktig så det ikke renner over.
 - KM-40C-HC: 2,0 liter
 - KM-60C-HC: 2,5 liter
 - KM-80C-HC: 3,0 liter
 - KM-140C-HC: 3,5 liter
- 5) Skyll beholderens føring med rent vann for å fjerne løsning som ble sølt i beholderen. Lukk deretter døren.
- 6) Trykk på Rengjøring-knappen (eller vent i 15 minutter) for å starte automatisk kjemikalierengjøring.
- 7) Maskinen fortsetter der den var når rengjøringen er utført.



▲ADVARSEL

Hvis det smaker rart av isbitene som lages etter automatisk kjemikalierengjøring, skal isbitmaskinen ikke brukes. Bestill service.

Helautomatisk kjemikalierengjøring (*)

* Gjelder kun modellen med helautomatisk rengjøring (-W) eller når settet for helautomatisk rengjøring (tilleggsutstyr) brukes. Settet for helautomatisk rengjøring tilsetter automatisk en kjemikaliedose (1250 ml med 40 % sitronsyreløsning) og avkalker vannkretsen med ønsket intervall. Foreta nødvendige innstillinger i henhold til "II. 2. BRUKERINNSTILLINGER". Se bruksanvisningen til settet for helautomatisk rengjøring, ACK, for mer informasjon.

2. FØR DU RINGER ETTER SERVICE

▲ADVARSEL

Kjølemiddelkretsen må ikke skades.

Dersom isbitmaskinen ikke virker som den skal eller ikke virker i det hele tatt, må du, før du ringer etter service kontrollere at:

- * Enheten er koblet til strøm.
- * Vannet er skrudd på.
- * Luftfilteret er rent.

Hvis problemet vedvarer, slår du av og på isbitmaskinen og trykker på Tilbakestill-knappen. Hvis problemet vedvarer, sjekker du om feilkoden "E" vises på skjermen eller om prikken i midten lyser. Kontakt nærmeste Hoshizaki serviceverksted.

Følg instruksjonene hvis en av kodene nedenfor vises.

Kode	Beskrivelse
n92	Unormalt høy temperatur. Rengjør luftfilteret. Sjekk at maskinen er riktig installert i henhold til "I. 4. PLASSERING".
n93	Tomt for kjemikaliedoser (når settet for helautomatisk rengjøring (tilleggsutstyr) brukes). Bytt eller fyll på kjemikaliebeholderen, og tilbakestill brukerinnstilling "U.55" (se "II. 2. BRUKERINNSTILLINGER"). Du endrer varslingsintervallet i brukerinnstilling "U.49".
n99	Tiden som er angitt i brukerinnstilling "U.60" (se "II. 2. BRUKERINNSTILLINGER") er passert og vedlikehold kreves. Trykk på Tilbakestill-knappen når vedlikeholdet er utført.

Dersom du trenger ytterligere assistanse eller råd, ta kontakt med Hoshizakis servicerepresentant.

3. KASSERING

Følg lokale forskrifter når det gjelder kassering av denne maskinen og kjølegassen den inneholder. Før maskinen kastes, må du ta av døren for å unngå at barn kan bli innestengt i den.

NORSK

Riktig kassering av dette produktet:

Dette merket angir at i EU-landene skal dette produktet ikke kasseres sammen med husholdningsavfall. For å forhindre mulig miljøskade eller at personer utsettes for helserisikoer som skyldes ukontrollert kassering av avfall, må produktet gjenvinnnes på en ansvarlig måte for å fremme gjenbruk av materialressurser. For å returnere en brukt maskin, bruk retur og innsamlingssystemene der produktet ble kjøpt, eller kontakt forhandleren. De kan ta imot dette produktet for miljøsikker gjenvinning.



⚠ ADVARSEL



Brannfare

Isolasjonsskummet som er brukt til hoveddelen inneholder brennbar syklopentan. Produktet skal derfor kastes forskriftsmessig.

4. GARANTI

Hoshizaki garanterer overfor den første eieren/brukeren at alle Hoshizaki-merkede produkter skal være frie for materialfeil og/eller håndverksfeil i "garantiperioden". Garantien skal gjelde i to år fra installasjonsdatoen.

Hoshizakis ansvar under garantiens vilkår er begrenset, og omfatter ikke rutinemessig vedlikehold, rengjøring, nødvendig vedlikehold og/eller reparasjoner som oppstår på grunn av feil bruk eller installasjon i strid med Hoshizakis retningslinjer.

Garantiarbeid skal utføres av en godkjent Hoshizaki-forhandler eller servicerepresentant, og originale Hoshizaki-deler skal benyttes.

Ta kontakt med din nærmeste forhandler/leverandør eller det nærmeste Hoshizaki Service-kontoret i Europa dersom du ønsker en fullstendig oversikt over garantien:

Europa, Midt-Østen, Afrika

Hoshizaki UK – Storbritannia, Irland
TLF.: +44 845 456 0585
FAKS: +44 132 283 8331
uksales@hoshizaki.uk

Hoshizaki Italia – Italia
TLF.: +39 344 0616467
TLF.: +39 348 3022156
info@hoshizaki.it

Hoshizaki Deutschland – Tyskland, Sveits, Østerrike, Polen, Tsjekkia, Slovakia
TLF.: +49 5121 697370
FAKS: +49 5121 6973719
vertrieb@hoshizaki.de

Hoshizaki Denmark – Danmark
TLF.: +45 89 88 53 60
salg@hoshizaki.dk

Hoshizaki France – Frankrike
TLF.: +33 1 48 63 93 80
FAKS: +33 1 48 63 93 88
info@hoshizaki.fr

Hoshizaki Norge – Norge
TLF.: +47 22 88 17 50
salg@hoshizaki.no

Hoshizaki Iberia – Spania, Portugal
TLF.: +34 93 478 09 52
FAKS: +34 93 478 08 00
info@hoshizaki.es

Hoshizaki Sweden – Sverige
TLF.: +46 108 84 87 47
OrderSE@hoshizaki.dk

Hoshizaki Middle East – Midt-Østen
TLF.: +971 48 876 612
FAKS: +971 48 876 613
sales@hoshizaki.ae

Hoshizaki Europe B.V. – alle andre land innenfor Europa og Afrika
TLF.: +31 20 6918499
FAKS: +31 20 6918768
sales@hoshizaki.nl

Hoshizaki Benelux – Nederland, Belgia, Luxembourg
TLF.: +31 85 018 83 70
info@hoshizaki.nl

SPESIFIKASJONER

Modell	KM-40C-HC	KM-60C-HC	KM-80C-HC	KM-140C-HC
Type	Luftavkjølt, halvmåne-isbiter	Luftavkjølt, halvmåne-isbiter	Luftavkjølt, halvmåne-isbiter	Luftavkjølt, halvmåne-isbiter
Strømforsyning	1 fase 220 – 240 V 50 Hz	1 fase 220 – 240 V 50 Hz	1 fase 220 – 240 V 50 Hz	1 fase 220 – 240 V 50 Hz
Strømforbruk	209 W	242 W	299 W	564 W
Isproduksjon i døgnet	43 kg (omgivelsestemperatur 10 °C, vann 10 °C)	60 kg (omgivelsestemperatur 10 °C, vann 10 °C)	75 kg (omgivelsestemperatur 10 °C, vann 10 °C)	135 kg (omgivelsestemperatur 10 °C, vann 10 °C)
Dimensjoner	452 mm (B) x 610 mm (D) x 988 mm (H)	605 mm (B) x 610 mm (D) x 988 mm (H)	605 mm (B) x 712 mm (D) x 988 mm (H)	630 mm (B) x 719 mm (D) x 1333 mm (H)
Kjølemiddel	R290, 68 g	R290, 90 g	R290, 147 g	R290, 110 g
Esemiddel for skumisolasjon	HFC-fri	HFC-fri	HFC-fri	HFC-fri
Vekt	Netto: 39 kg (brutto: 49 kg)	Netto: 45 kg (brutto: 57 kg)	Netto: 50 kg (brutto: 63 kg)	Netto: 69kg (brutto: 81 kg)
Omgivelsestemp.	7–38 °C	7–38 °C	7–38 °C	7–38 °C
Vanntemperatur	7–32 °C	7–32 °C	7–32 °C	7–32 °C
Vanntrykk	0,07–0,8 MPa (0,7–8 bar)	0,07–0,8 MPa (0,7–8 bar)	0,07–0,8 MPa (0,7–8 bar)	0,07–0,8 MPa (0,7–8 bar)
Spenningsområde	Nominell spenning ± 6 %	Nominell spenning ± 6 %	Nominell spenning ± 6 %	Nominell spenning ± 6 %

Modell	KM-40C-HC-W	KM-60C-HC-W	KM-80C-HC-W	KM-140C-HC-W
Type	Luftavkjølt, halvmåne-isbiter, helautomatisk rengjøring	Luftavkjølt, halvmåne-isbiter, helautomatisk rengjøring	Luftavkjølt, halvmåne-isbiter, helautomatisk rengjøring	Luftavkjølt, halvmåne-isbiter, helautomatisk rengjøring
Strømforsyning	1 fase 220 – 240 V 50 Hz	1 fase 220 – 240 V 50 Hz	1 fase 220 – 240 V 50 Hz	1 fase 220 – 240 V 50 Hz
Strømforbruk	209 W	242 W	299 W	564 W
Isproduksjon i døgnet	43 kg (omgivelsestemperatur 10 °C, vann 10 °C)	60 kg (omgivelsestemperatur 10 °C, vann 10 °C)	75 kg (omgivelsestemperatur 10 °C, vann 10 °C)	135 kg (omgivelsestemperatur 10 °C, vann 10 °C)
Dimensjoner	452 mm (B) x 610 mm (D) x 988 mm (H)	605 mm (B) x 610 mm (D) x 988 mm (H)	605 mm (B) x 712 mm (D) x 988 mm (H)	630 mm (B) x 719 mm (D) x 1333 mm (H)
Kjølemiddel	R290, 68 g	R290, 90 g	R290, 147 g	R290, 110 g
Esemiddel for skumisolasjon	HFC-fri	HFC-fri	HFC-fri	HFC-fri
Vekt	Netto: 41 kg (brutto: 51 kg)	Netto: 47 kg (brutto: 59 kg)	Netto: 52 kg (brutto: 65 kg)	Netto: 71 kg (brutto: 83 kg)
Omgivelsestemp.	7–38 °C	7–38 °C	7–38 °C	7–38 °C
Vanntemperatur	7–32 °C	7–32 °C	7–32 °C	7–32 °C
Vanntrykk	0,07–0,8 MPa (0,7–8 bar)	0,07–0,8 MPa (0,7–8 bar)	0,07–0,8 MPa (0,7–8 bar)	0,07–0,8 MPa (0,7–8 bar)
Spenningsområde	Nominell spenning ± 6 %	Nominell spenning ± 6 %	Nominell spenning ± 6 %	Nominell spenning ± 6 %