



MODULAR CRESCENT CUBER
MACHINE A GLAÇONS CROISSANT MODULAIRE
MODULARER CRESCENTEISBEREITER
MODULAIRE MACHINE VOOR HALVEMAANVORMIGE IJSBLOKJES
MÁQUINA MODULAR DE CUBITOS EN FORMA DE MEDIA LUNA
FABBRICATORE DI GHIACCIO IN CUBETTI MODULARE A FORMA
DI MEZZALUNA

KM-470AJE-R452

INSTRUCTION MANUAL

(original instructions)

NOTICE D'UTILISATION

(instructions traduites)

BEDIENUNGSANLEITUNG

(Übersetzung)

GEBRUIKSAANWIJZING

(vertaalde instructies)

MANUAL DE INSTRUCCIONES

(instrucciones traducidas)

MANUALE D'ISTRUZIONI

(traduzione)

HOSHIZAKI EUROPE LIMITED

Telford 70 Stafford Park 7, Telford, Shropshire TF3 3BQ UK

L1M097201 (042122)

ENGLISH

Important Safety Information	1
I. Specifications	4
A. Electrical and Refrigerant Data.....	4
B. Dimensions/Connections.....	5
II. Installation and Operating Instructions	6
A. Location.....	6
B. Checks Before Installation.....	7
C. How to Remove Panels.....	7
D. Setup	8
1. Ice Storage Bin and Icemaker Setup.....	8
2. Bin Control Installation.....	9
E. Electrical Connection.....	10
F. Water Supply and Drain Connections	11
G. Final Checklist.....	13
H. Startup.....	14
III. Maintenance.....	15
A. Maintenance Schedule.....	15
B. Cleaning and Sanitizing Instructions	16
IV. Preparing the Appliance for Periods of Non-Use.....	20
V. WARRANTY.....	21
VI. DISPOSAL.....	21

FRANÇAIS

Informations de sécurité importantes	22
I. Spécifications	25
A. Données électriques et données relatives au fluide frigorigène.....	25
B. Dimensions/Branchements.....	26
II. Consignes d'installation et d'utilisation.....	27
A. Emplacement.....	27
B. Contrôles avant l'installation.....	28
C. Dépose des panneaux.....	28
D. Configuration	29
1. Configuration du bac de stockage de glace et de la machine à glace	29
2. Installation de la commande du bac.....	30
E. Raccordement électrique.....	31
F. Branchements d'arrivée et de vidange d'eau	32
G. Liste de contrôle finale.....	34
H. Mise en marche.....	35
III. Entretien	36
A. Programme d'entretien.....	36
B. Consignes de nettoyage et de désinfection.....	37
IV. Préparation de l'appareil pour les périodes de non-utilisation.....	41
V. GARANTIE	42
VI. MISE AU REBUT.....	42

DEUTSCH

Wichtige Sicherheitshinweise	43
I. Technische Daten.....	46
A. Daten zu Elektrik und Kältemittel.....	46
B. Abmessungen/Anschlüsse	47
II. Installations- und Bedienungsanleitung.....	48
A. Einbaulage.....	48
B. Überprüfungen vor der Installation	49
C. Abnehmen der Blenden.....	49
D. Einrichtung.....	50
1. Einrichtung des Eisvorratsbehälters und des Eisbereiters	50
2. Installation der Behältersteuerung.....	51
E. Elektrischer Anschluss.....	52
F. Wasserzufuhr- und Wasserablaufanschlüsse	53
G. Abschlussprüfliste.....	55
H. Start.....	56
III. Wartung.....	57
A. Wartungszeitplan.....	57
B. Reinigungs- und Desinfektionsanleitung.....	58
IV. Vorbereitung des Geräts bei längerem Nichtgebrauch	62
V. GARANTIE	63
VI. ENTSORGUNG.....	63

NEDERLANDS	Belangrijke veiligheidsinformatie	64
	I. Specificaties	67
	A. Elektrische en koelmiddelgegevens	67
	B. Afmetingen/Aansluitingen	68
	II. Aanwijzingen voor installatie en gebruik	69
	A. Locatie	69
	B. Controles vóór installatie	70
	C. Panelen verwijderen	70
	D. Instelling	71
	1. Instelling van bunker en ijsmachine	71
	2. Installatie bunkerschakelaar	72
	E. Elektrische aansluiting	73
	F. Aansluiting van watertoevoer- en waterafvoerleidingen	74
	G. Eindcontrole	76
	H. Opstarten	77
	III. Onderhoud	78
	A. Onderhoudsschema	78
	B. Aanwijzingen voor reiniging en ontsmetting	79
	IV. Het apparaat gereedmaken voor langdurige opslag	83
	V. GARANTIE	84
	VI. VERWIJDERING	84
ESPAÑOL	Información importante de seguridad	85
	I. Especificaciones	88
	A. Datos eléctricos y del refrigerante	88
	B. Dimensiones/Conexiones	89
	II. Instrucciones de instalación y funcionamiento	90
	A. Ubicación	90
	B. Comprobaciones previas a la instalación	91
	C. Cómo retirar las tapas	91
	D. Instalación	92
	1. Instalación de la cubeta de almacenamiento de hielo y de la máquina de hielo	92
	2. Instalación del control de la cubeta	93
	E. Conexión eléctrica	94
	F. Suministro de agua y conexiones de drenaje	95
	G. Lista de verificación final	97
	H. Arranque	98
	III. Mantenimiento	99
	A. Programa de mantenimiento	99
	B. Instrucciones de limpieza y esterilización	100
	IV. Preparación del aparato para períodos de inactividad	104
	V. GARANTÍA	105
	VI. ELIMINACIÓN	105
ITALIANO	Informazioni Importanti sulla sicurezza	106
	I. Specifiche	109
	A. Dati elettrici e di refrigerazione	109
	B. Dimensioni/Collegamenti	110
	II. Istruzioni di installazione e di esercizio	111
	A. Ubicazione	111
	B. Controlli precedenti all'installazione	112
	C. Come rimuovere i pannelli	112
	D. Installazione	113
	1. Installazione del deposito di raccolta cubetti e della macchina	113
	2. Installazione comando del contenitore	114
	E. Collegamento elettrico	115
	F. Collegamento approvvigionamento dell'acqua e scarico	116
	G. Lista di controllo finale	118
	H. Avvio	119
	III. Manutenzione	120
	A. Programma di manutenzione	120
	B. Istruzioni di pulizia e disinfezione	121
	IV. Preparazione dell'apparecchiatura per i periodi di inutilizzo	125
	V. GARANZIA	126
	VI. SMALTIMENTO	126

IMPORTANT

This manual should be read carefully before the appliance is installed and operated. Read the warnings and guidelines contained in this manual carefully as they provide essential information for the continued safe use and maintenance of the appliance. Retain this manual for any further reference that may be necessary.

Important Safety Information

Throughout this manual, notices appear to bring your attention to situations which could result in death, serious injury, damage to the appliance, or damage to property.

- ⚠ WARNING** Indicates a hazardous situation which could result in death or serious injury.
- NOTICE** Indicates a situation which could result in damage to the appliance or property.
- IMPORTANT** Indicates important information about the installation, use, and care of the appliance.
- CAUTION** Indicates a hazardous situation which, if not avoided, could result in minor or moderate injury.

⚠ WARNING

The appliance should be destined only to the use for which it has been expressly conceived. Any other use should be considered improper and therefore dangerous. The manufacturer cannot be held responsible for injury or damage resulting from improper, incorrect, and unreasonable use. Failure to install, operate, and maintain the appliance in accordance with this manual will adversely affect safety, performance, component life, and warranty coverage and may result in costly water damage.

To reduce the risk of death, electric shock, serious injury, or fire, follow basic precautions including the following:

- Only qualified service technicians should install and service the appliance.
- The appliance must be installed in accordance with applicable national, state, and local codes and regulations.
- Electrical connection must be hard-wired and must meet national, state, and local electrical code requirements. Failure to meet these code requirements could result in death, electric shock, serious injury, fire, or damage.
- The icemaker requires an independent power supply of proper capacity. See the specifications in this manual. Failure to use an independent power supply of proper capacity can result in a tripped breaker, blown fuse, damage to existing wiring, or component failure. This could lead to heat generation or fire.
- **THE ICEMAKER MUST BE GROUNDED.** Failure to properly ground the icemaker could result in death or serious injury.
- To reduce the risk of electric shock, do not touch the control switch with damp hands.
- Move the control switch to the “OFF” position and turn off the power supply before servicing. Lockout/Tagout to prevent the power supply from being turned back on inadvertently.
- Do not make any alterations to the appliance. Alterations could result in electric shock, serious injury, fire, or damage.
- The appliance is not intended for use by persons (including children) with reduced physical, sensory, or mental capabilities, or lack of experience and knowledge, unless they have been given supervision or instruction concerning use of the appliance by a person responsible for their safety.
- Children should be properly supervised around the appliance.
- Do not climb, stand, or hang on the appliance or allow children or animals to do so. Serious injury could occur or the appliance could be damaged.
- Do not use combustible spray or place volatile or flammable substances near the appliance. They might catch fire.
- Keep the area around the appliance clean. Dirt, dust, or insects in the appliance could cause harm to individuals or damage to the appliance.

NOTICE

- Follow the water supply, drain connection, and maintenance instructions carefully to reduce the risk of costly water damage.
- In areas where water damage is a concern, install in a contained area with a floor drain.
- Install the icemaker in a location that stays above freezing. Normal operating ambient temperature must be within 7°C to 38°C.
- Do not leave the icemaker on during extended periods of non-use, extended absences, or in sub-freezing temperatures. To properly prepare the icemaker for these occasions, follow the instructions in “IV. Preparing the Appliance for Periods of Non-Use”.
- Do not place objects on top of the appliance.
- The dispenser unit/ice storage bin is for ice use only. Do not store anything else in the dispenser unit/ice storage bin.

I. Specifications

A. Electrical and Refrigerant Data

The nameplate provides electrical and refrigerant data. The nameplate is located on the left panel. For certification marks, see the nameplate.

We reserve the right to make changes in specifications and design without prior notice.

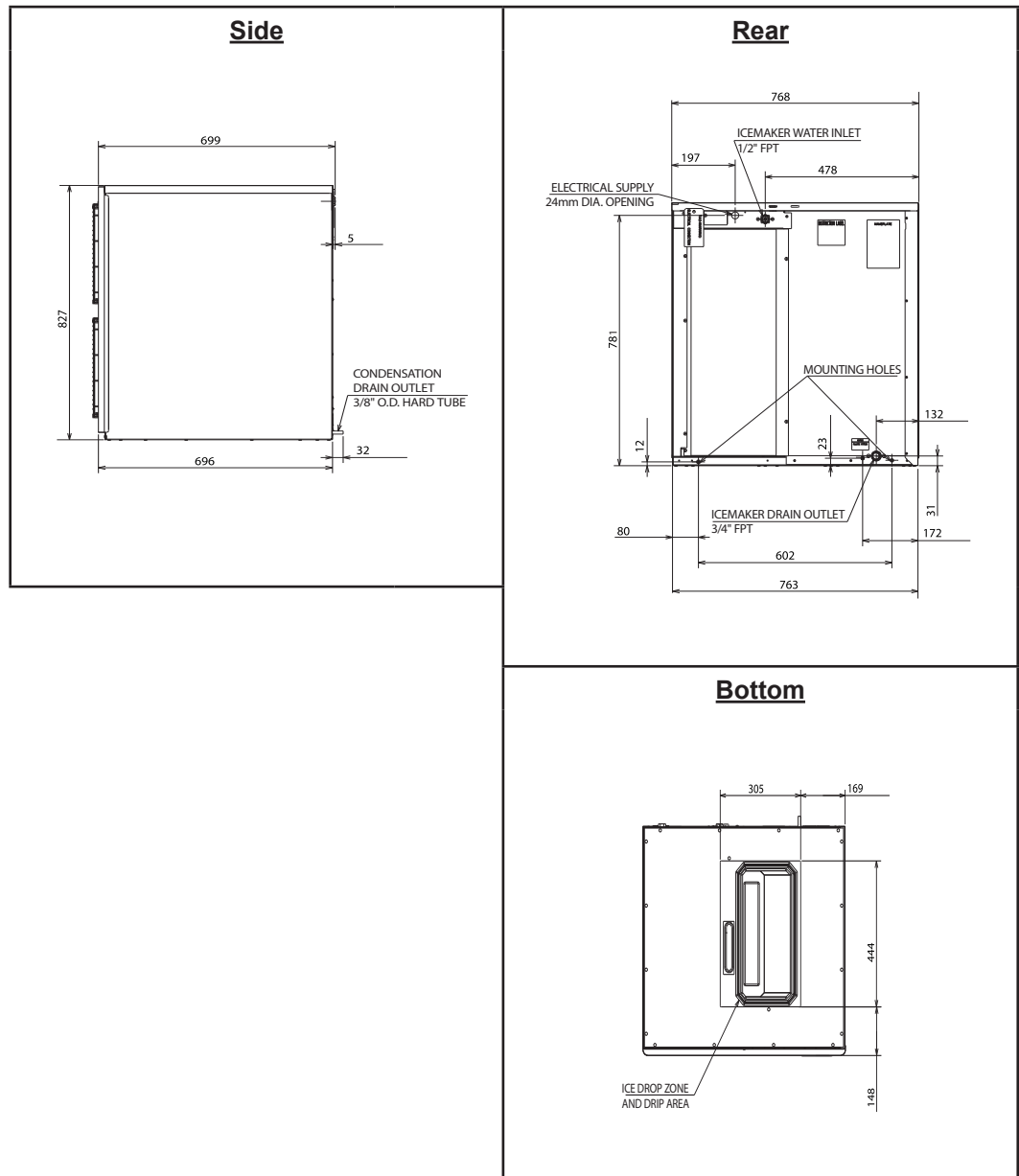
1. KM-470AJE-R452

Model	KM-470AJE-R452
Type	Air-cooled, crescent cube ice
Power Supply	1 phase 220 - 240V 50Hz
Power Supply Capacity	3.45kVA (15.0A)
Electric Consumption	1850W (AT: 32°C, WT: 21°C)
Ice Production per 24h	495kg (AT: 10°C, WT: 10°C)
Dimensions	762mm(W) x 695mm(D) x 825mm(H)
Refrigerant	R452A 1.40kg (GWP: 1945, CO ₂ : 2.723t)
Insulation Foam Blowing Agent	Cyclopentane
Weight	Net: 122kg (Gross: 136kg)
Ambient Temp	7 - 38°C
Water Supply Temp	7 - 32°C
Water Supply Pressure	0.07 - 0.78MPa (0.7 - 7.8bar)
Voltage Range	198 - 254V

B. Dimensions/Connections

1. KM-470AJE-R452

Units: mm



NOTICE

- KM-470AJE-R452: Allow 30cm clearance at rear, sides, and top for proper air circulation and ease of maintenance and/or service should they be required.
- The ice storage bin opening must match the bottom opening as in the illustration.

II. Installation and Operating Instructions

⚠ WARNING

- The appliance must be installed in accordance with applicable national, state, and local codes and regulations.
- Failure to install, operate, and maintain the appliance in accordance with this manual will adversely affect safety, performance, component life, and warranty coverage and may result in costly water damage.
- **CHOKING HAZARD:** Ensure all components, fasteners, and thumbscrews are securely in place after installation. Make sure that none have fallen into the dispenser unit/ice storage bin.

A. Location

CAUTION

- The icemaker is not intended for outdoor use. Normal operating ambient temperature must be within 7°C to 38°C; Normal operating water temperature must be within 7°C to 32°C. Operation of the icemaker, for extended periods, outside of these normal temperature ranges may affect icemaker performance.
- The icemaker will not work at sub-freezing temperatures. To prevent damage to the water supply line, drain the icemaker if the air temperature is going to go below 0°C. See "IV. Preparing the Appliance for Periods of Non-Use".

- The icemaker should not be located next to ovens, grills, or other high heat producing equipment.
- This icemaker allows 30cm clearance at rear, sides, and top for proper air circulation and ease of maintenance and/or service should they be required.
- The location should provide a firm and level foundation for the appliance.

B. Checks Before Installation

- Visually inspect the exterior of the shipping container and immediately report any damage to the carrier. Upon opening the container, any concealed damage should also be immediately reported to the carrier.
- Remove the shipping carton, tape, and packing material. If any are left in the appliance, it will not work properly.
- See the nameplate on the left panel, and check that your voltage supplied corresponds with the voltage specified on the nameplate.
- Remove the panels to prevent damage when installing the appliance. See “II.C. How to Remove Panels.”
- Remove the package containing the accessories.
- Remove the protective plastic film from the panels. If the appliance is exposed to the sun or to heat, remove the film after the appliance cools.
- Check that the refrigerant lines do not rub or touch lines or other surfaces, and that the fan blade (if applicable) turns freely.
- Check that the compressor is snug on all mounting pads.
- The icemaker can be installed on a storage bin 30" wide or wider. Hoshizaki Ice Storage Bins, Model B-210SA is recommended. For further options, contact your local Hoshizaki distributor.

Model Number	Bin Width	Recommended Hoshizaki Ice Storage Bin
KM-470AJE-R452	30" or Wider	B-210SA

For further options, contact your local Hoshizaki distributor.

C. How to Remove Panels

See Fig. 1

- Front Panel: Remove the screw. Lift up and pull towards you.
- Top Panel: Lift up at front slightly, push rearward and lift off.
- Right Side Panel: Remove the screw. Slide forward slightly and lift off.
- Insulation Panel: Lift up slightly, and pull towards you.

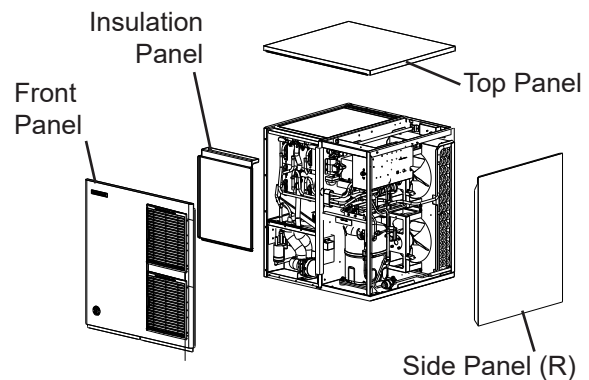


Fig. 1

D. Setup

1. Ice Storage Bin and Icemaker Setup

⚠ WARNING

The installer must ensure the ice storage bin is compatible with the icemaker, and the dispenser unit/ice storage bin and icemaker are properly attached and secured.

- 1) Unpack the ice storage bin and attach the 4 adjustable legs provided (bin accessory) to the bottom of the ice storage bin.
- 2) Position the ice storage bin in its permanent location.
- 3) Place the icemaker on top of the storage bin.
- 4) Secure the icemaker to the storage bin using the 2 mounting brackets and the bolts provided. See Fig. 2.
- 5) Level the icemaker and storage bin in both the left-to-right and front-to-rear directions. Adjust the storage bin legs to make the icemaker level.
- 6) Icemaker: Replace the panels in their correct positions. See Fig. 2.

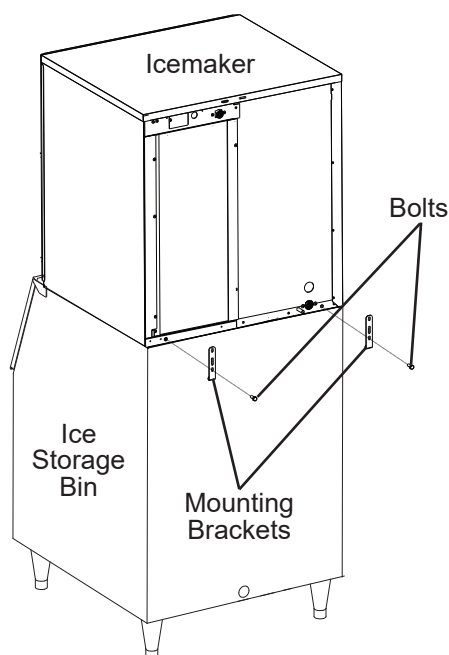


Fig. 2

2. Bin Control Installation

CAUTION

Before operating the icemaker, the bin control must be installed. Failure to properly install the bin control could result in ice backup and icemaker damage.

- 7) Install the bin control thermostat assembly as follows. See Fig. 3.
 - a. Remove the bin control thermostat assembly from the shipping hook.
 - b. Remove the 2 thumbscrews below the bin control thermostat assembly.
 - c. Lower the bin control thermostat assembly through the hole located in the bottom of the icemaker. Secure the bin control thermostat assembly with the lower hook and the 2 thumbscrews removed in the previous step.
 - d. Insert the plug into the receptacle on the assembly until it locks into place.
IMPORTANT! The plug must be inserted into the receptacle for the icemaker to operate.
- 2) Replace the panels in their correct positions.

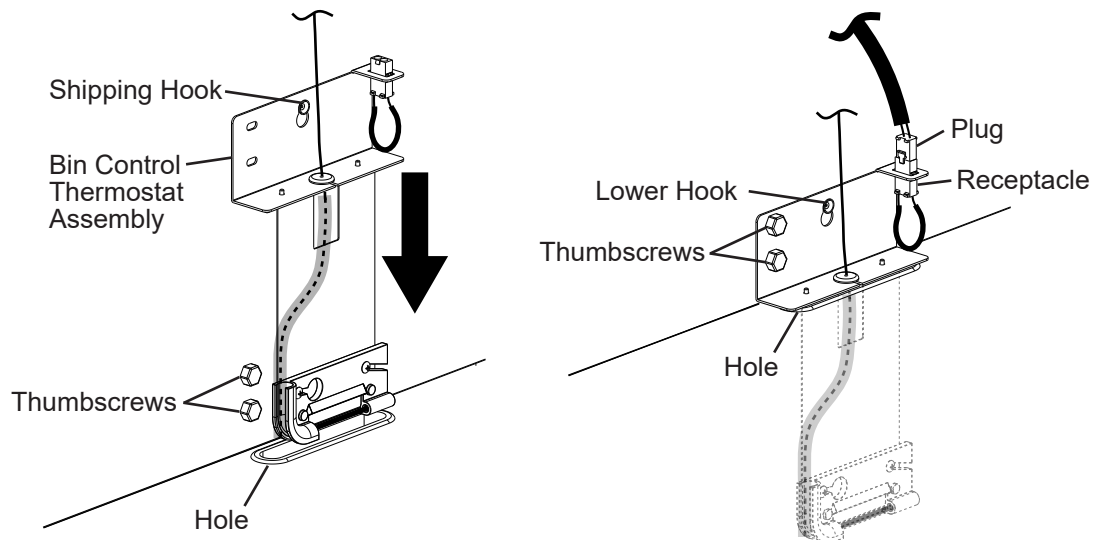


Fig. 3

E. Electrical Connection

⚠ WARNING

For All Models

- Electrical connection must be hard-wired and must meet national, state, and local electrical code requirements. Failure to meet these code requirements could result in death, electric shock, serious injury, fire, or damage.
- The icemaker requires an independent power supply of proper capacity. See the nameplate for electrical specifications. Failure to use an independent power supply of proper capacity can result in a tripped breaker, blown fuse, damage to existing wiring, or component failure. This could lead to heat generation or fire.
- **THE ICEMAKER MUST BE GROUNDED.** Failure to properly ground the icemaker could result in death or serious injury.
- Electrical connection must be made in accordance with the instructions on the "WARNING" tag, provided with the pig tail leads in the junction box. See Fig. 4.

- Usually an electrical permit and services of a licensed electrician are required.
- The maximum allowable voltage variation is ± 10 percent of the nameplate rating.
- **NOTICE! KM-470AJE-R452, the main transformer's voltage tap switch must be positioned to match incoming voltage at startup.**
- The opening for the power supply connection is 7/8" DIA to fit a 1/2" trade size conduit.

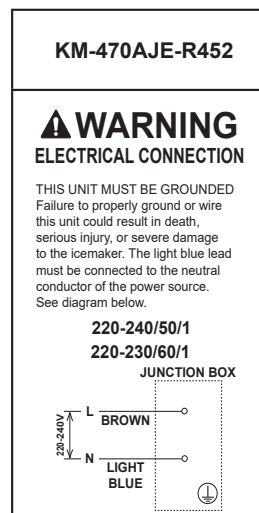
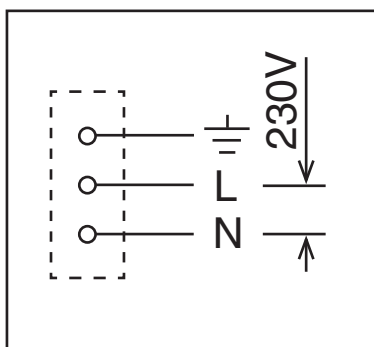


Fig. 4

F. Water Supply and Drain Connections

See Fig. 5.

WARNING

- Water supply and drain connections must be installed in accordance with applicable national, state, and local regulations.
 - Normal operating water temperature should be within 7°C to 32°C. Operation of the appliance, for extended periods, outside of this normal temperature range may affect appliance performance.
 - Water supply pressure must be a minimum of 0.07MPa (0.7bar) and a maximum of 0.78MPa (7.8bar). If the pressure exceeds 0.78MPa (7.8bar), the use of a pressure reducing valve is required.
 - To prevent damage to the appliance, do not operate the appliance when the water supply is off, or if the pressure is below 0.07MPa (0.7bar). Do not run the appliance until the proper water pressure is reached.
 - External filters, strainers, or softeners may be required depending on water quality. Contact your local Hoshizaki Certified Service Representative or local Hoshizaki distributor for recommendations.
-
- A plumbing permit and services of a licensed plumber may be required in some areas.
 - The icemaker drain line, ice storage bin drain line, and water-cooled condenser (if applicable) drain line must be run separately. The condensation drain line can be connected to the icemaker drain line or can be run separately.
 - Drain lines must have 2cm fall per 1m on horizontal runs to get a good flow. A vented tee connection is also required for proper flow.
 - Drain lines should not be piped directly to the sewer system. An air gap of a minimum of 5 vertical centimeter should be between the end of the drain pipes from the icemaker and condensation drain, ice storage bin, and water-cooled condenser (if applicable) and the floor drain.

Icemaker Water Supply Inlet	Minimum Icemaker Water Supply Line Size	Icemaker Drain Outlet	Minimum Icemaker Drain Line Size	Condensation Drain Outlet
1/2" Female Pipe Thread (FPT)	3/8" Nominal ID Copper Water Tubing or Equivalent	3/4" Female Pipe Thread (FPT)	3/4" Nominal ID Hard Pipe or Equivalent	3/8" OD Hard Tube

- An icemaker water supply line shut-off valve and drain valve must be installed.
- Be sure there is sufficient extra water supply line and drain line for the appliance to be pulled out for service.

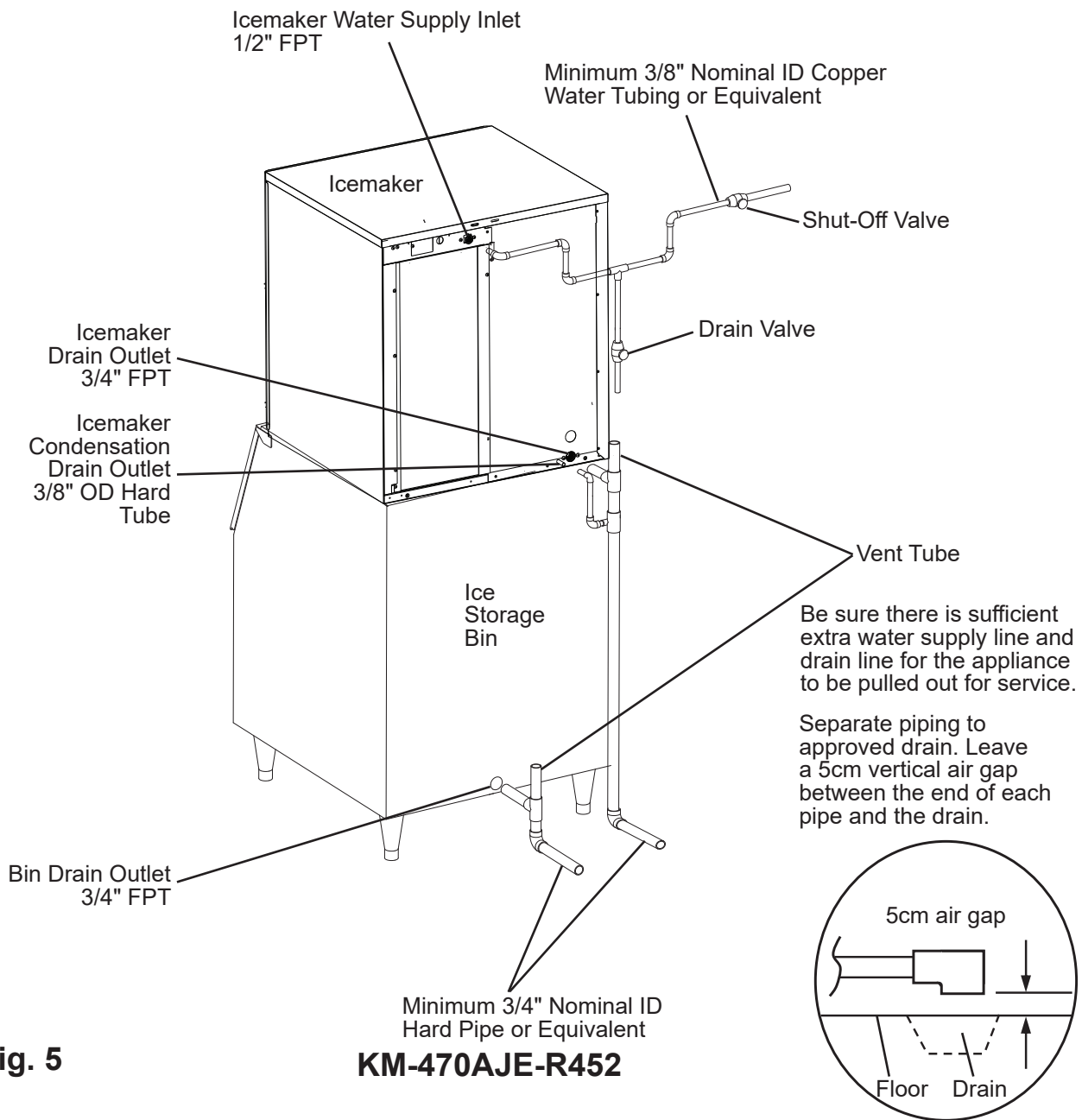


Fig. 5

KM-470AJE-R452

G. Final Checklist

⚠ WARNING

CHOKING HAZARD: Ensure all components, fasteners, and thumbscrews are securely in place after installation. Make sure that none have fallen into the dispenser unit/ice storage bin.

- 1) Is the icemaker level?
- 2) Is the icemaker in a site where the ambient temperature is within 7°C to 38°C and the water temperature within 7°C to 32°C all year around?
- 3) For KM-470AJE-R452, is there at least 30cm clearance at rear, sides, and top of the icemaker.
- 4) Have the shipping carton, tape, and packing material been removed from the appliance? Is the cube guide in the correct position? Are the separators between the evaporator banks properly attached to their holding clips?
- 5) Have all electrical and water connections been made? Do electrical and water connections meet applicable national, state, and local code and regulation requirements?
- 6) Has the power supply voltage been checked or tested against the nameplate rating? Has a proper ground been installed to the icemaker?
- 7) Are the water supply and drain lines sized as specified? Are the water supply line shut-off valve(s) and drain valve(s) installed? Has the water supply pressure been checked to ensure a minimum of 0.07MPa (0.7bar) and a maximum of 0.78MPa (7.8bar)?
- 8) Is the compressor snug on all mounting pads? Have the refrigerant lines been checked to make sure they do not rub or touch other lines or surfaces? Have the fan blades been checked to make sure they turn freely?
- 9) Are all components, fasteners, and thumbscrews securely in place?
- 10) Has the end user been given the instruction manual, and instructed on how to operate the appliance and the importance of the recommended periodic maintenance?
- 11) Has the end user been given the contact information of an authorized service agent?

H. Startup

⚠ WARNING

- All parts are factory-adjusted. Improper adjustments may adversely affect safety, performance, component life, and warranty coverage.
- If the icemaker is turned off, wait for at least 3 minutes before restarting the icemaker to prevent damage to the compressor.
- To prevent damage to the water pump seal, do not leave the control switch in the “WASH” position for extended periods when the water tank is empty.
- At startup, confirm that all internal and external connections are free of leaks.

- 1) Open the water supply line shut-off valve(s).
- 2) Remove the front panel.
- 3) Move the control switch on the control box to the “ICE” position.
- 4) Replace the front panel in its correct position.
- 5) Turn on the power supply and allow the icemaker to operate for a total of 10 minutes.
- 6) Turn off the power supply, then remove the front panel and the insulation panel.
- 7) Slide the cube guide to the right, then remove the rubber cap and sleeve covering the overflow pipe. See Fig. 6. Unscrew the overflow pipe. After the water tank has drained, reconnect the overflow pipe. Replace the rubber hose, overflow cap, and cube guide in their correct positions. **NOTICE! Make sure the O-ring is attached to the bottom of the overflow pipe and be careful not to cross thread the overflow pipe.**
- 8) Replace the insulation panel and the front panel in their correct positions.
- 9) Clean the dispenser unit/ice storage bin liner using a neutral cleaner. Rinse thoroughly after cleaning.
- 10) Turn on the power supply to start the automatic icemaking process.
- 11) When the icemaker is running, hold an ice cube in contact with the bulb. The icemaker should stop within 10 seconds. Adjustment may be needed, particularly at higher altitude locations.

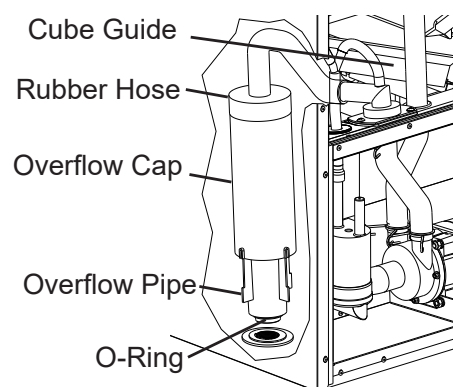


Fig. 6

III. Maintenance

The appliance must be maintained in accordance with the instruction manual and labels provided. Consult with your local Hoshizaki Certified Service Representative about maintenance service.

WARNING

- Only qualified service technicians should service the appliance.
- To reduce the risk of electric shock, do not touch the control switch with damp hands.
- Move the control switch to the “OFF” position and turn off the power supply before servicing. Lockout/Tagout to prevent the power supply from being turned back on inadvertently.
- **CHOKING HAZARD:** Ensure all components, fasteners, and thumbscrews are securely in place after any maintenance is done to the appliance. Make sure that none have fallen into the dispenser unit/ice storage bin.

A. Maintenance Schedule

The maintenance schedule below is a guideline. More frequent maintenance may be required depending on water quality, the appliance’s environment, and local sanitation regulations.

Maintenance Schedule		
Frequency	Area	Task
Daily	Scoop	Clean the ice scoop using a neutral cleaner. Rinse thoroughly after cleaning.
Bi-Weekly	Air Filters	Inspect. Wash with warm water and neutral cleaner if dirty.
Monthly	External Water Filters	Check for proper pressure and change if necessary.
	Icemaker Exterior	Wipe down with a clean, soft cloth. Use a damp cloth containing a neutral cleaner to wipe off oil or dirt build up. Clean any chlorine staining (rust colored spots) using a non-abrasive cleanser.
	Underside of Icemaker and Top Kits; Bin Door	Wipe down with a clean cloth and warm water.
Yearly	Icemaker and Dispenser Unit/Ice Storage Bin	Clean and sanitize per the cleaning and sanitizing instructions provided in this manual. See “III. B. Cleaning and Sanitizing Instructions”.
	Water Supply Inlet	Close the icemaker water supply line shut-off valve and drain the water system. Clean the water supply inlet screen.
	Condenser	Inspect. Clean if necessary by using a brush or vacuum cleaner. More frequent cleaning may be required depending on location.
	Water Hoses	Inspect the water hoses and clean/replace if necessary.

B. Cleaning and Sanitizing Instructions

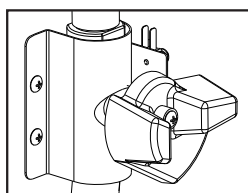
The icemaker must be cleaned and sanitized at least once a year. More frequent cleaning and sanitizing may be required in some water conditions.

⚠ WARNING

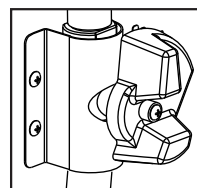
- To prevent injury to individuals and damage to the icemaker, do not use ammonia type cleaners.
- Carefully follow any instructions provided with the bottles of cleaning and sanitizing solution.
- Always wear liquid-proof gloves and goggles to prevent the cleaning and sanitizing solutions from coming into contact with skin or eyes.
- Do not leave the icemaker unattended when panels are off.
- To prevent damage to the water pump seal, do not leave the control switch in the "WASH" position for extended periods when the water tank is empty.

IMPORTANT

- The cleaning valve is opened during cleaning and sanitizing to allow solution flow to the inside of the evaporator. It should be closed for all icemaking operation. The compressor will not operate unless this valve is completely closed.
- To close the cleaning valve, the valve handle should be at a right angle to the valve body. To open the cleaning valve, the valve handle should be parallel to the valve body.



CLOSED
Icemaking Operation



OPEN
Cleaning and Sanitizing Operation
(allows solution flow to the inside of the evaporator)

Preparation

- 1) Remove the front panel, then move the control switch to the "OFF" position.
After 3 minutes, move the control switch to the "ICE" position, then replace the front panel.
- 2) After 3 minutes, remove the front panel, then move the control switch to the "OFF" position.
- 3) Remove all ice from the ice storage bin. **WARNING! If on a dispenser unit, turn off the dispenser unit power supply after dispensing the ice.**

Cleaning

- 4) Remove the front insulation panel, then slide the cube guide to the right. Remove the rubber cap and sleeve covering the overflow pipe. See Fig. 6. Unscrew the overflow pipe. After the water tank has drained, reconnect the overflow pipe. Replace the rubber hose, overflow cap, cube guide, and front insulation panel. **NOTICE! Make sure the O-ring is attached to the bottom of the overflow pipe and be careful not to cross thread the overflow pipe.**
- 5) To fill the water tank, move the control switch to the "ICE" position, then replace the front panel. After 3.5 minutes, remove the front panel, then move the control switch to the "OFF" position.
- 6) Remove the front insulation panel, then pour 887ml of Hoshizaki "Scale Away" or the other recommended Hoshizaki sanitizer as directed into the water tank. Replace the front insulation panel. Turn the cleaning valve to the left until completely vertical (open).
- 7) **NOTICE! To avoid excessive foaming, wait 1 minute before proceeding.** After 1 minute, move the control switch to the "WASH" position, then replace the front panel.
- 8) After 30 minutes, remove the front panel, then move the control switch to the "OFF" position.
- 9) Remove the front insulation panel, then slide the cube guide to the right. Remove the rubber hose and overflow cap covering the overflow pipe. Unscrew the overflow pipe. After the water tank has drained, reconnect the overflow pipe. Replace the rubber hose, overflow cap, cube guide, and front insulation panel.
- 10) In bad or severe water conditions, turn off the power supply, then remove, clean (cleaning solution = 40ml. Hoshizaki "Scale Away" per liter of warm water), rinse, and replace the cube guides, float switch, water supply tubes, spray tubes, and spray guides; turn on the power supply when complete. Otherwise, continue to step 11.

Cleaning Rinse

- 11) Turn the cleaning valve to the right until completely horizontal (closed). Move the control switch to the "ICE" position, then replace the front panel. After 3.5 minutes, remove the front panel, then move the control switch to the "OFF" position. Note: The icemaker will not operate unless the cleaning valve is completely closed.
- 12) Turn the cleaning valve to the left until completely vertical (open). Move the control switch to the "WASH" position, then replace the front panel. After 5 minutes, remove the front panel, then move the control switch to the "OFF" position.
- 13) Remove the front insulation panel, then slide the cube guide to the right. Remove the rubber hose and overflow cap covering the overflow pipe. Unscrew the overflow pipe. After the water tank has drained, reconnect the overflow pipe. Replace the rubber hose, overflow cap, cube guide, and front insulation panel.

Sanitizing

- 14) To fill the water tank, turn the cleaning valve to the right until completely horizontal (closed). Move the control switch to the "ICE" position, then replace the front panel. After 3.5 minutes, remove the front panel, then move the control switch to the "OFF" position.
- 15) Remove the front insulation panel, then pour 50ml of an 8.25% sodium hypochlorite solution (chlorine bleach) into the water tank. Replace the front insulation panel. Turn the cleaning valve to the left until completely vertical (open). **IMPORTANT! Use regular bleach with no additives. Using a bleach with additives causes excessive foaming during sanitizing, reducing the effectiveness of sanitizing.**
- 16) **NOTICE! To avoid excessive foaming, wait 1 minute before proceeding.** After 1 minute, move the control switch to the "WASH" position, then replace the front panel.
- 17) After 45 minutes, remove the front panel, then move the control switch to the "OFF" position.
- 18) Remove the front insulation panel, then slide the cube guide to the right. Remove the rubber hose and overflow cap covering the overflow pipe. Unscrew the overflow pipe. After the water tank has drained, reconnect the overflow pipe. Replace the rubber hose, overflow cap, cube guide, and front insulation panel.

Sanitizing Rinse 1

- 19) Turn the cleaning valve to the right until completely horizontal (closed). Move the control switch to the "ICE" position, then replace the front panel. After 3.5 minutes, remove the front panel, then move the control switch to the "OFF" position.
- 20) Turn the cleaning valve to the left until completely vertical (open). Move the control switch to the "WASH" position, then replace the front panel. After 5 minutes, remove the front panel, then move the control switch to the "OFF" position.
- 21) Remove the front insulation panel, then slide the cube guide to the right. Remove the rubber cap and sleeve covering the overflow pipe. Unscrew the overflow pipe. After the water tank has drained, reconnect the overflow pipe. Replace the rubber hose, overflow cap, cube guide, and front insulation panel.

Sanitizing Rinse 2

- 22) Turn the cleaning valve to the right until completely horizontal (closed). Move the control switch to the "ICE" position, then replace the front panel. After 3.5 minutes, remove the front panel, then move the control switch to the "OFF" position.
- 23) Turn the cleaning valve to the left until completely vertical (open). Move the control switch to the "WASH" position, then replace the front panel. After 5 minutes, remove the front panel, then move the control switch to the "OFF" position.
- 24) Remove the front insulation panel, then slide the cube guide to the right. Remove the rubber hose and overflow cap covering the overflow pipe. Unscrew the overflow pipe. After the water tank has drained, reconnect the overflow pipe. Replace the rubber hose, overflow cap, cube guide, and front insulation panel.

Sanitizing Rinse 3

- 25) Turn the cleaning valve to the right until completely horizontal (closed). Move the control switch to the "ICE" position, then replace the front panel. After 3.5 minutes, remove the front panel, then move the control switch to the "OFF" position.
- 26) Turn the cleaning valve to the left until completely vertical (open). Move the control switch to the "WASH" position, then replace the front panel. After 5 minutes, remove the front panel, then move the control switch to the "OFF" position.
- 27) Remove the front insulation panel, then slide the cube guide to the right. Remove the rubber hose and overflow cap covering the overflow pipe. Unscrew the overflow pipe. After the water tank has drained, reconnect the overflow pipe. Replace the rubber hose, overflow cap, cube guide, and front insulation panel. **NOTICE! Be sure the O-ring is attached to the bottom of the overflow pipe and be careful not to cross thread the overflow pipe.**
- 28) Clean the ice storage bin liner using a neutral cleaner. Rinse thoroughly after cleaning.
- 29) Turn the cleaning valve to the right until completely horizontal (closed). Move the control switch to the "ICE" position. Note: If on a dispenser unit, turn on the dispenser unit power supply.
- 30) Replace all panels in their correct positions.

IV. Preparing the Appliance for Periods of Non-Use

CAUTION

- When storing the icemaker for an extended time or in sub-freezing temperatures, follow the instructions below to prevent damage.
- To prevent damage to the water pump seal, do not leave the control switch in the “WASH” position for extended periods when the water tank is empty.

When the icemaker is not used for two or three days under normal conditions, it is sufficient to move the control switch to the “OFF” position. When storing the icemaker for an extended time or in sub-freezing temperatures, follow the instructions below.

1. Remove the water from the icemaker water supply line:

- 1) Turn off the power supply, then remove the front panel.
- 2) Move the control switch to the “OFF” position.
- 3) Close the icemaker water supply line shut-off valve, then open the icemaker water supply line drain valve.
- 4) Allow the line to drain by gravity.
- 5) Attach a compressed air or carbon dioxide supply to the icemaker water supply line drain valve.
- 6) Move the control switch to the “ICE” position.
- 7) Replace the front panel in its correct position, then turn on the power supply.
- 8) Blow the icemaker water supply line out using the compressed air or carbon dioxide supply.
- 9) Close the icemaker water supply line drain valve.

2. Drain the water tank:

- 1) Turn off the power supply, then remove the front panel. Move the control switch to the “OFF” position.
- 2) Remove the insulation panel.
- 3) Slide the cube guide to the right, then remove the rubber hose and overflow cap covering the overflow pipe. See Fig. 16. Unscrew the overflow pipe. After the water tank has drained, reconnect the overflow pipe. Replace the rubber hose, overflow cap, and cube guide in their correct positions. **NOTICE! Make sure the O-ring is attached to the bottom of the overflow pipe and be careful not to cross thread the overflow pipe.**
- 4) Replace the insulation panel in its correct position.
- 5) Remove all ice from the storage bin. Clean the storage bin using a neutral cleaner. Rinse thoroughly after cleaning.
- 6) Replace the front panel in its correct position.

V. WARRANTY

Hoshizaki warrants to the original owner/user that all Hoshizaki branded products shall be free of defects in material and/or workmanship for the duration of the “warranty period”. The warranty shall be effective for two years from the date of installation.

Hoshizaki’s liability under the terms of the warranty are limited and shall exclude routine servicing, cleaning, essential maintenance and/or repairs occasioned by misuse and installations not in accordance with Hoshizaki guidelines.

Warranty repairs should be completed by an approved Hoshizaki dealer or service agency using genuine Hoshizaki components.

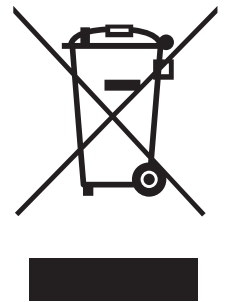
To obtain full details of your warranty and approved service agency, please contact your dealer/supplier, or the nearest Hoshizaki Service office.

VI. DISPOSAL

Comply with local regulations regarding disposal of this appliance and its refrigerant gas. Before you scrap the appliance, take off the door to prevent children trapped.

Correct disposal of this product:

This marking indicates that this product should not be disposed with other household wastes throughout the EU. To prevent possible harm to the environment or human health from uncontrolled waste disposal, recycle it responsibly to promote the sustainable reuse of material resources. To return your used device, use the return and collection systems or contact the retailer where the product was purchased. They can take this product for environmental safe recycling.



WARNING



The insulation foaming agent used for the unit body contains flammable gas cyclopentane. With this in mind, dispose of the product properly.

IMPORTANT

Le présent manuel doit être lu attentivement avant le montage et l'utilisation de l'appareil. Lire attentivement les conseils et les avertissements qui se trouvent dans ce manuel, car ils fournissent des informations essentielles pour une utilisation en toute sécurité et un entretien adéquat de l'appareil. Conserver ce manuel pour toute référence ultérieure.

Informations de sécurité importantes

Tout au long de ce manuel, des avis attirent l'attention sur des situations qui pourraient entraîner des blessures graves voire mortelles ou des dégâts à l'appareil ou à ce qui l'entoure.

⚠ AVERTISSEMENT Signale une situation dangereuse qui peut entraîner des blessures graves voire mortelles.

AVIS Signale une situation qui pourrait entraîner des dégâts à l'appareil ou à ce qui l'entoure.

IMPORTANT Signale des informations importantes sur l'installation, l'utilisation et l'entretien de l'appareil.

ATTENTION Signale une situation dangereuse qui, si elle n'est pas évitée, peut entraîner des blessures mineures ou modérées.

AVERTISSEMENT

L'appareil ne doit être utilisé qu'aux fins auxquelles il est expressément destiné. Toute autre utilisation doit être considérée comme inappropriée et donc dangereuse. Le fabricant décline toute responsabilité pour les blessures ou dégâts provoqués par une utilisation inappropriée, incorrecte et abusive. Un non-respect des consignes d'installation, d'utilisation et d'entretien de l'appareil indiquées dans le présent manuel peut affecter la sécurité, les performances, la durée de vie des composants et la couverture de la garantie, et peut entraîner un dégât des eaux coûteux.

Afin de réduire le risque de décès, de choc électrique, de blessures graves ou d'incendie, suivre les précautions de base y compris ce qui suit :

- Seuls les techniciens d'entretien qualifiés doivent installer et entretenir l'appareil.
- L'appareil doit être installé conformément aux codes et réglementations nationaux et locaux applicables.
- Le raccordement électrique doit être réalisé avec des fils électriques et doit respecter les exigences des codes de l'électricité nationaux et locaux. Un non-respect de ces codes peut entraîner la mort, un choc électrique, des blessures graves, un incendie ou des dégâts matériels.
- La machine à glace requiert une alimentation électrique indépendante d'une capacité adaptée. Voir les spécifications dans le présent manuel. Un non-respect de l'utilisation d'une alimentation indépendante d'une capacité adaptée peut entraîner l'enclenchement du disjoncteur, un fusible grillé, un endommagement du câblage existant ou une défaillance de composant. Cela peut générer de la chaleur ou un incendie.
- **LA MACHINE A GLACE DOIT ETRE MISE A LA TERRE.** Une mise à la terre incorrecte de la machine à glace peut entraîner des blessures graves voire mortelles.
- Afin de réduire le risque de choc électrique, ne pas toucher le commutateur de commande avec les mains humides.
- Mettre le commutateur de commande sur « OFF » et couper l'alimentation électrique avant l'entretien. Verrouiller/désactiver pour empêcher de remettre par erreur la machine sous tension.
- N'apporter aucune modification à l'appareil. Les modifications peuvent entraîner un choc électrique, des blessures graves, un incendie ou des dégâts matériels.
- L'appareil n'a pas été conçu pour être utilisé par des personnes (enfants compris) aux capacités physiques, sensorielles ou mentales réduites, ni par des personnes dont l'expérience et les connaissances sont limitées, sauf si elles sont sous la surveillance d'une personne responsable de leur sécurité ou que celle-ci leur a donné des consignes relatives à l'utilisation de l'appareil.
- Les enfants doivent être correctement surveillés autour de l'appareil.
- Ne pas grimper ni se tenir debout sur l'appareil, ni s'y suspendre, ni laisser des enfants ou des animaux le faire. Cela pourrait entraîner des blessures graves ou endommager l'appareil.
- Ne pas utiliser un vaporisateur contenant du gaz combustible et ne pas placer des produits volatils ou inflammables près de l'appareil. Ils pourraient prendre feu.
- Maintenir propre la zone autour de l'appareil. De la poussière, de la saleté ou des insectes pourraient être la cause de dommages physiques à des personnes ou d'endommagement de l'appareil.

AVIS

- Respecter scrupuleusement les consignes relatives à l'alimentation en eau, le raccordement de vidange et l'entretien afin de réduire le risque d'un dégât des eaux coûteux.
- Dans les endroits où un dégât des eaux est une inquiétude, installer la machine dans une zone confinée équipée d'une évacuation de sol.
- Installer la machine à glace dans un endroit où il ne gèle pas. La température ambiante normale de service doit être comprise entre 7 °C et 38 °C.
- Ne pas laisser la machine à glace sous tension durant de longues périodes de non-utilisation, de longues absences ou en cas de gel. Pour préparer correctement la machine à glace à ces situations, respecter les consignes de la section « IV. Préparation de l'appareil pour les périodes de non-utilisation ».
- Ne pas placer d'objets sur le dessus de l'appareil.
- L'unité de distribution/le bac de stockage de glace est destiné(e) uniquement à la glace. N'entreposer que de la glace dans l'unité de distribution/le bac de stockage.

I. Spécifications

A. Données électriques et données relatives au fluide frigorigène

La plaque signalétique fournit des données électriques et des données relatives au fluide frigorigène. La plaque signalétique est située sur le panneau gauche. Pour les marques de certification, voir la plaque signalétique.

Nous nous réservons le droit de modifier sans préavis les spécifications et la conception.

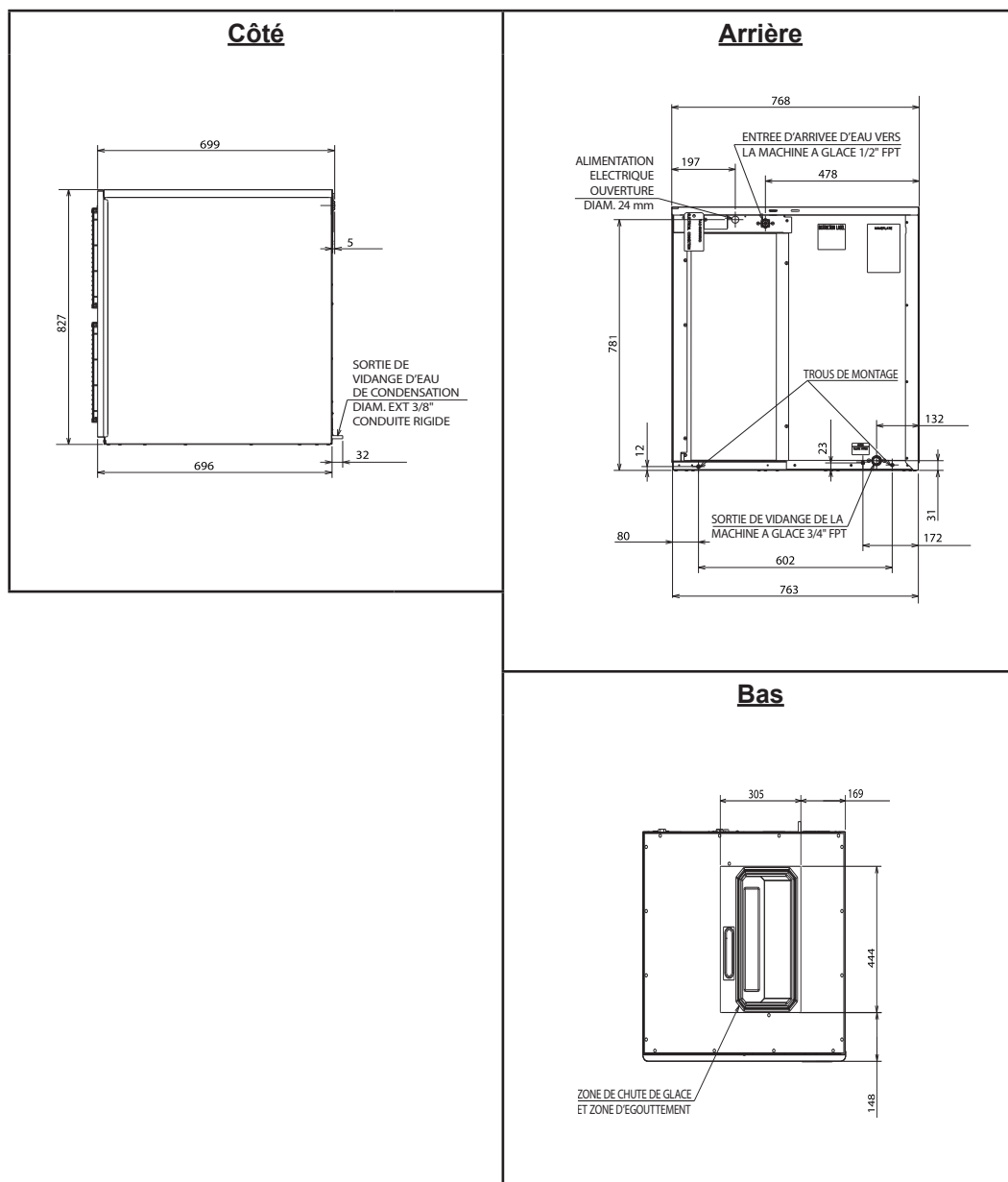
1. KM-470AJE-R452

Modèle	KM-470AJE-R452
Type	Refroidi par air, glaçons croissants
Alimentation	1 phase 220 - 240 V 50 Hz
Capacité d'alimentation électrique	3,45 kVA (15,0 A)
Consommation électrique	1 850 W (temp. amb. : 32 °C, temp. eau : 21 °C)
Production de glace par 24 h	495 kg (temp. amb. : 10 °C, temp. eau : 10 °C)
Dimensions	762 mm (l) x 695 mm (P) x 825 mm (H)
Fluide frigorigène	R452A 1,40 kg (GWP : 1 945, CO ₂ : 2,723 t)
Agent d'expansion de mousse isolante	Cyclopentane
Poids	Net : 122 kg (Brut : 136 kg)
Température ambiante	7 - 38 °C
Température de l'arrivée d'eau	7 - 32 °C
Pression de l'arrivée d'eau	0,07 - 0,78 MPa (0,7 - 7,8 bar)
Plage de tension	198 - 254 V

B. Dimensions/Branchements

1. KM-470AJE-R452

Unités : mm

**AVIS**

- KM-470AJE-R452 : Pour assurer une bonne circulation d'air et faciliter les opérations de maintenance et/ou d'entretien, prévoir 30 cm de dégagement à l'arrière, sur les côtés et sur le dessus de la machine.
- L'ouverture du bac de stockage de glace doit avoir les mêmes dimensions que l'ouverture située dans le fond comme illustré.

II. Consignes d'installation et d'utilisation

▲ AVERTISSEMENT

- L'appareil doit être installé conformément aux codes et réglementations nationaux et locaux applicables.
- Un non-respect des consignes d'installation, d'utilisation et d'entretien de l'appareil indiquées dans le présent manuel peut affecter la sécurité, les performances, la durée de vie des composants et la couverture de la garantie, et peut entraîner un dégât des eaux coûteux.
- **RISQUE DE SUFFOCATION** : Vérifier que tous les composants, fixations et vis à oreilles sont bien en place après l'installation. Vérifier qu'aucune de ces pièces n'est tombée dans l'unité de distribution/le bac de stockage.

A. Emplacement

ATTENTION

- La machine à glace n'est pas conçue pour être utilisée à l'extérieur. La température ambiante normale de service doit être comprise entre 7 °C et 38 °C. La température de l'eau normale de service doit être comprise entre 7 °C et 32 °C. Un fonctionnement prolongé de la machine en dehors de ces plages de températures risque d'affecter les performances de la machine à glace.
 - La machine à glace ne fonctionnera pas aux températures au-dessous de zéro. Pour prévenir tout dommage à la conduite d'arrivée d'eau, vidanger la machine à glace si la température de l'air est inférieure à 0 °C. Voir « IV. Préparation de l'appareil pour les périodes de non-utilisation ».
- La machine à glace ne doit pas être placée à proximité de fours, de grills ou de toute autre source de chaleur importante.
 - Pour assurer une bonne circulation d'air et faciliter les opérations de maintenance et/ou d'entretien, prévoir 30 cm de dégagement à l'arrière, sur les côtés et sur le dessus de la machine.
 - La machine à glace doit avoir une assise solide et horizontale.

B. Contrôles avant l'installation

- Inspecter visuellement l'extérieur du conteneur de transport et indiquer immédiatement tout dommage au transporteur. A l'ouverture du conteneur, tout dommage caché doit être immédiatement indiqué au transporteur.
- Enlever le carton de transport, le ruban adhésif et le matériel d'emballage. S'il reste des matériaux d'emballage dans l'appareil, il ne fonctionnera pas correctement.
- Se reporter à la plaque signalétique située sur le panneau gauche et vérifier que la tension fournie correspond à celle indiquée sur la plaque signalétique.
- Déposer les panneaux pour éviter tout dommage lors de l'installation de l'appareil. Voir « II.C. Dépose des panneaux ».
- Retirer le paquet contenant les accessoires.
- Enlever le film protecteur en plastique des panneaux. Si l'appareil est exposé au soleil ou à la chaleur, retirer le film une fois que l'appareil a refroidi.
- S'assurer que les conduites de liquide de refroidissement n'entrent pas en contact avec d'autres conduites ou surfaces, et que la pale de ventilateur (le cas échéant) tourne sans obstacle.
- Vérifier que le compresseur est ajusté sur tous les socles de montage.
- La machine à glace peut être installée sur un bac de stockage d'une largeur d'au moins 30". Les bacs de stockage de glace Hoshizaki, Modèle B-210SA, sont recommandés. Pour plus d'options, contacter son revendeur Hoshizaki le plus proche.

Numéro de modèle	Largeur de bac	Bac de stockage de glace Hoshizaki recommandé
KM-470AJE-R452	30" ou plus large	B-210SA

Pour plus d'options, contacter son revendeur Hoshizaki le plus proche.

C. Dépose des panneaux

Voir Fig. 1

- Panneau avant : Retirer la vis. Soulever et tirer vers soi.
- Panneau supérieur : Soulever légèrement à l'avant, appuyer vers l'arrière et déposer.
- Panneau latéral droit : Retirer la vis. Faire légèrement coulisser vers l'avant et soulever.
- Panneau isolant : Soulever légèrement et tirer vers soi.

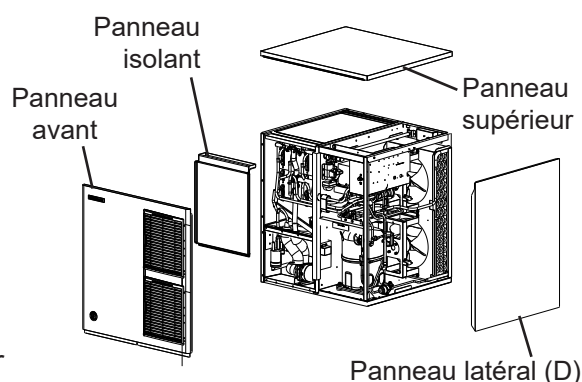


Fig. 1

D. Configuration

1. Configuration du bac de stockage de glace et de la machine à glace

⚠ AVERTISSEMENT

L'installateur doit s'assurer que le bac de stockage de glace est compatible avec la machine à glace, et que l'unité de distribution/le bac de stockage de glace est bien monté(e) et fixé(e).

- 1) Déballez le bac de stockage de glace et fixez les quatre pieds réglables fournis (accessoire de bac) dans le fond du bac de stockage de glace.
- 2) Positionnez le bac de stockage de glace à son emplacement définitif.
- 3) Placez la machine à glace sur le dessus du bac de stockage.
- 4) Fixez la machine à glace sur le bac de stockage au moyen des deux supports de fixation et des boulons fournis. Voir fig. 2.
- 5) Ajustez le niveau de la machine à glace et du bac de stockage dans les axes gauche/droite et avant/arrière. Réglez les pieds du bac de stockage pour mettre la machine à glace de niveau.
- 6) Machine à glace : Remettez les panneaux dans leurs positions initiales. Voir fig. 2.

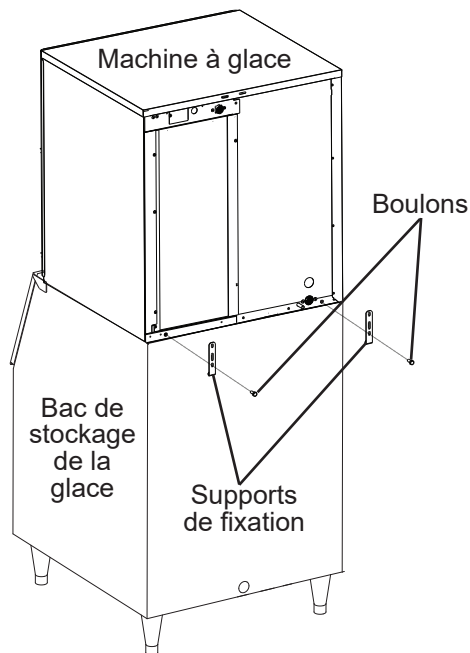


Fig. 2

2. Installation de la commande du bac

ATTENTION

La commande du bac doit être montée correctement avant d'actionner la machine à glace. Un montage incorrect de la commande du bac peut entraîner un refoulement de la glace et un endommagement de la machine à glace.

- 7) Monter l'ensemble thermostat de commande du bac comme suit. Voir fig. 3.
 - a. Détacher l'ensemble thermostat de commande de bac du crochet de transport.
 - b. Déposer les deux vis à oreilles sous l'ensemble thermostat de commande de bac.
 - c. Faire descendre l'ensemble thermostat de commande de bac par le trou situé dans le fond de la machine à glace. Fixer l'ensemble thermostat de commande de bac à l'aide du crochet inférieur et des deux vis à oreilles retirées à l'étape précédente.
 - d. Insérer la fiche dans la prise située sur l'ensemble jusqu'à ce qu'elle se bloque.

IMPORTANT ! La fiche doit être insérée dans la prise pour que la machine à glace fonctionne.
- 2) Remettre les panneaux dans leurs positions initiales.

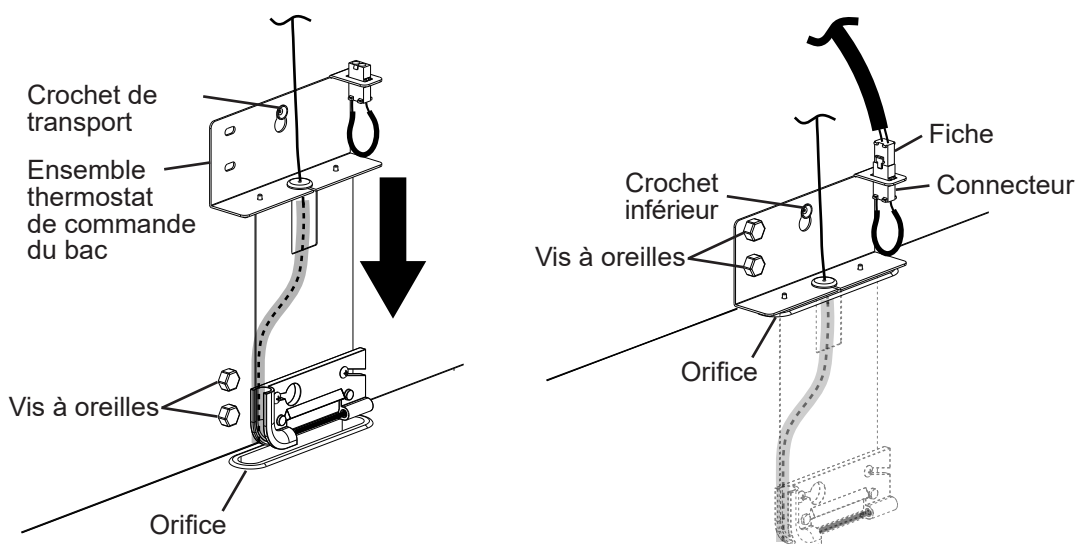


Fig. 3

E. Raccordement électrique

⚠ AVERTISSEMENT

Pour tous les modèles

- Le raccordement électrique doit être réalisé avec des fils électriques et doit respecter les exigences des codes de l'électricité nationaux et locaux. Un non-respect de ces codes peut entraîner la mort, un choc électrique, des blessures graves, un incendie ou des dégâts matériels.
- La machine à glace requiert une alimentation électrique indépendante d'une capacité adaptée. Voir la plaque signalétique pour les spécifications électriques. Un non-respect de l'utilisation d'une alimentation indépendante d'une capacité adaptée peut entraîner l'enclenchement du disjoncteur, un fusible grillé, un endommagement du câblage existant ou une défaillance de composant. Cela peut générer de la chaleur ou un incendie.
- **LA MACHINE A GLACE DOIT ETRE MISE A LA TERRE.** Une mise à la terre incorrecte de la machine à glace peut entraîner des blessures graves voire mortelles.
- Le raccordement électrique doit être réalisé conformément aux consignes de l'étiquette « AVERTISSEMENT », fournie avec les fils en spirale dans la boîte de jonction. Voir fig. 4.

- En général, l'installation nécessite une autorisation pour travaux électriques et les services d'un électricien qualifié.
- La variation de tension admissible maximale ne doit pas dépasser $\pm 10\%$ de la valeur nominale figurant sur la plaque signalétique.
- **AVIS ! KM-470AJE-R452, le commutateur de prise de tension du transformateur principal doit être positionné pour s'adapter à la tension d'entrée au démarrage.**
- L'orifice pour le raccordement électrique a un diamètre de 7/8" et peut accueillir un conduit d'une taille de 1/2".

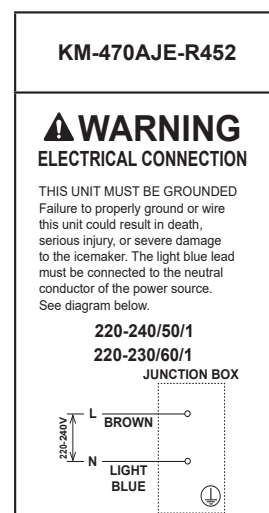
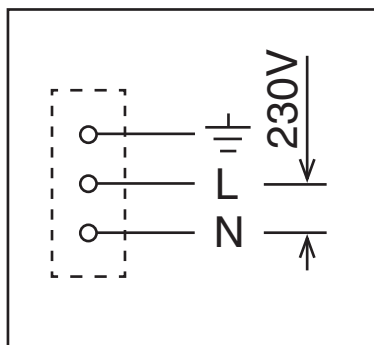


Fig. 4

F. Branchements d'arrivée et de vidange d'eau

Voir fig. 5.

⚠ AVERTISSEMENT

- Les branchements d'arrivée et de vidange d'eau doivent être réalisés conformément aux réglementations nationales et locales applicables.
 - La température de l'eau normale de service doit être comprise entre 7 °C et 32 °C. Faire fonctionner la machine à glace pendant des périodes prolongées alors que la température est en dehors des limites de cette plage peut affecter les performances de l'appareil.
 - La pression de l'arrivée d'eau doit être de 0,07 MPa (0,7 bar) au minimum et de 0,78 MPa (7,8 bar) au maximum. Si la pression dépasse 0,78 MPa (7,8 bar), il convient d'utiliser un réducteur de pression.
 - Pour éviter d'endommager l'appareil, ne pas l'utiliser lorsque l'alimentation en eau est fermée, ou si la pression est inférieure à 0,07 MPa (0,7 bar). Ne pas faire fonctionner l'appareil tant que la pression d'eau appropriée n'est pas atteinte.
 - Des filtres externes ou des adoucisseurs peuvent être nécessaires en fonction de la qualité de l'eau. Pour des recommandations, contacter le représentant de service certifié Hoshizaki le plus proche ou le distributeur Hoshizaki le plus proche.
- Dans certaines régions, il est possible qu'il faille obtenir une autorisation pour effectuer les travaux de plomberie et avoir recours aux services d'un plombier autorisé.
 - La conduite de vidange de la machine à glace doit être distincte de la conduite de vidange du bac de stockage et de celle du condenseur à refroidissement par eau (le cas échéant). La conduite de vidange de l'eau de condensation peut être raccordée à la conduite de vidange de la machine à glace ou elles peuvent être séparées.
 - Les conduites de vidange doivent avoir une chute de 2 cm par mètre de parcours horizontal pour obtenir un bon débit. Un raccord en T à évent est également nécessaire pour un débit correct.
 - Les tuyaux de vidange ne doivent pas être reliés directement à l'égout. L'extrémité des tuyaux de vidange doit être espacée d'au moins 5 cm à la verticale par rapport à la vidange de l'eau de condensation et de la machine à glace, au bac de stockage de glace, au condenseur à refroidissement par eau (le cas échéant) et à l'évacuation de sol.

Arrivée d'eau de la machine à glace	Taille minimale de la conduite d'arrivée d'eau de la machine à glace	Sortie de vidange de la machine à glace	Taille minimale de la conduite de vidange de la machine à glace	Sortie de vidange de l'eau de condensation
Filetage de tuyau femelle (FPT) 1/2"	Conduite d'eau en cuivre ou équivalente diam. int. nom. 3/8"	Filetage de tuyau femelle (FPT) 3/4"	Conduite rigide ou équivalente diam. int. nom. 3/4"	Conduite rigide diam. ext. 3/8"

- Une vanne d'arrêt de la conduite d'arrivée d'eau vers la machine à glace et une vanne de vidange doivent être montées.
- S'assurer d'une longueur suffisante de conduite d'arrivée d'eau et de conduite de vidange pour que l'appareil puisse être tiré pour son entretien.

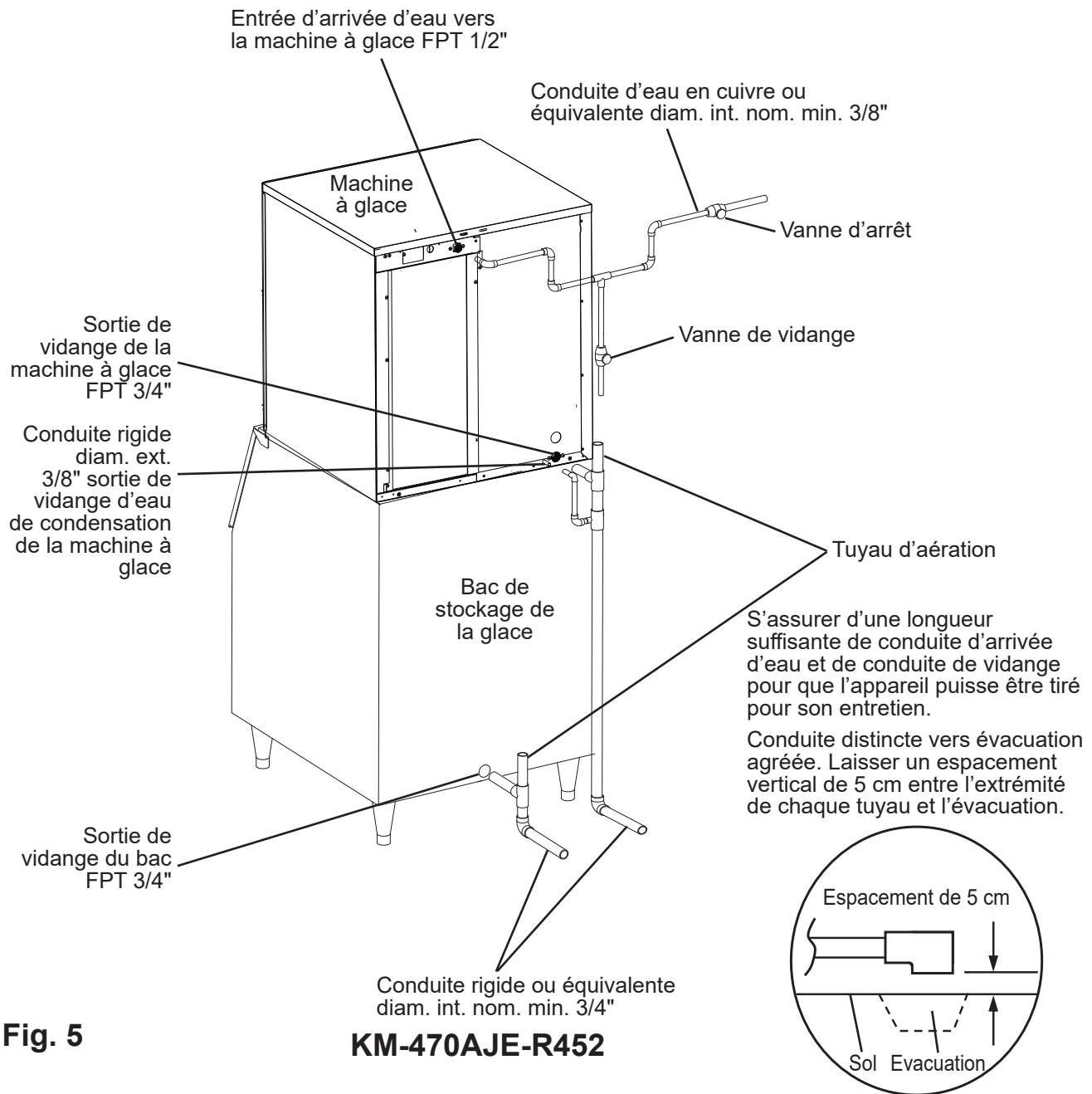


Fig. 5

KM-470AJE-R452

G. Liste de contrôle finale

AVERTISSEMENT

RISQUE DE SUFFOCATION : Vérifier que tous les composants, fixations et vis à oreilles sont bien en place après l'installation. Vérifier qu'aucune de ces pièces n'est tombée dans l'unité de distribution/le bac de stockage.

- 1) La machine à glace est-elle de niveau ?
- 2) La machine à glace se trouve-t-elle dans un endroit où la température ambiante est comprise entre 7 °C et 38 °C et la température de l'eau est comprise entre 7 °C et 32 °C toute l'année ?
- 3) Pour le modèle KM-470AJE-R452, le dégagement à l'arrière, sur les côtés et sur le dessus de la machine à glace est-il d'au moins 30 cm ?
- 4) Les rubans adhésifs, cartons et emballages ayant servi au transport ont-ils été retirés de l'appareil ? Le guide glaçons est-il dans sa position correcte ? Les séparateurs présents entre les bords de l'évaporateur sont-ils correctement fixés à leurs brides de fixation ?
- 5) Les branchements électriques et les raccordements d'arrivée d'eau ont-ils tous été effectués ? Les branchements électriques et les raccordements d'arrivée d'eau respectent-ils tous les codes et réglementations nationaux et locaux applicables ?
- 6) La tension de la source d'alimentation a-t-elle été vérifiée et comparée à celle indiquée sur la plaque signalétique ? La machine a-t-elle été reliée à une prise de terre correcte ?
- 7) Les dimensions des conduites d'arrivée d'eau et de vidange sont-elles telles que spécifiées ? Les vannes d'arrêt de la conduite d'arrivée d'eau et les vannes de vidange sont-elles montées ? La pression de l'arrivée d'eau a-t-elle été contrôlée pour garantir un minimum de 0,07 MPa (0,7 bar) et un maximum de 0,78 MPa (7,8 bar) ?
- 8) Le compresseur est-il ajusté sur tous les socles de montage ? Les canalisations de fluide frigorigène ont-elles été vérifiées pour s'assurer qu'elles ne frottent ou ne touchent pas d'autres canalisations ou surfaces ? Les pales de ventilateur ont-elles été vérifiées pour s'assurer qu'elles tournent librement ?
- 9) Tous les composants, fixations et vis à oreilles sont-ils bien en place ?
- 10) L'utilisateur final a-t-il reçu le mode d'emploi, lui a-t-on expliqué comment fonctionne l'appareil et lui a-t-on indiqué l'importance de l'entretien périodique recommandé ?
- 11) A-t-on donné à l'utilisateur final les coordonnées d'un agent d'entretien agréé ?

H. Mise en marche

⚠ AVERTISSEMENT

- Toutes les pièces sont réglées en usine. Des réglages incorrects peuvent affecter la sécurité, les performances, la durée de vie des composants et la couverture de la garantie.
- Après avoir arrêté la machine à glace, attendre au moins 3 minutes avant de la remettre en marche pour éviter d'endommager le compresseur.
- Pour éviter d'endommager le joint de la pompe à eau, ne pas laisser le commutateur de commande en position « WASH » (nettoyage) pendant des périodes prolongées lorsque le réservoir d'eau est vide.
- A la mise en marche, vérifier que tous les branchements internes et externes ne fument pas.

- 1) Ouvrir la/les vanne(s) d'arrêt de la conduite d'arrivée d'eau.
- 2) Déposer le panneau avant.
- 3) Mettre le commutateur de commande du boîtier de commande sur « ICE » .
- 4) Remettre correctement en place le panneau avant.
- 5) Mettre la machine à glace sous tension et la faire fonctionner pendant 10 minutes.
- 6) Mettre la machine à glace hors tension, puis déposer le panneau avant et le panneau isolant.
- 7) Faire glisser le guide glaçons vers la droite, puis déposer le bouchon en caoutchouc et le manchon qui recouvre le tuyau de trop-plein. Voir fig. 6. Dévisser le tuyau de trop-plein. Après la vidange du réservoir d'eau, raccorder de nouveau le tuyau de trop-plein. Remettre le flexible en caoutchouc, le bouchon de trop-plein et le guide glaçons dans leurs positions initiales. **AVIS ! Vérifier que le joint torique est bien attaché au bas du tuyau de trop-plein et veiller à ne pas fausser le filetage du tuyau de trop-plein.**
- 8) Remettre le panneau isolant et le panneau avant dans leurs positions initiales.
- 9) Nettoyer le revêtement de l'unité de distribution/du bac de stockage à l'aide d'un produit nettoyant neutre. Rincer soigneusement après le nettoyage.
- 10) Mettre la machine à glace sous tension pour lancer le processus automatique de fabrication de glace.
- 11) Lorsque la machine à glace est en cours de fonctionnement, maintenir un glaçon en contact avec l'ampoule. La machine à glace doit s'arrêter en moins de 10 secondes. Un réglage peut être nécessaire, en particulier dans des endroits en haute altitude.

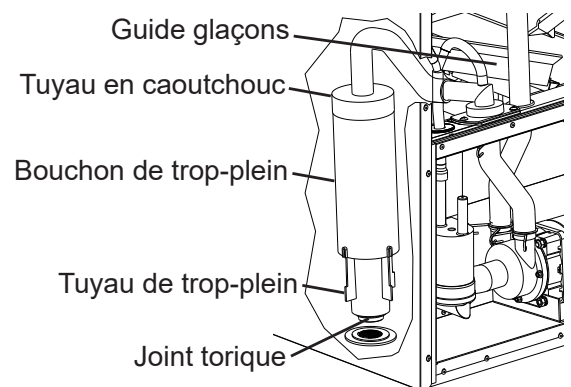


Fig. 6

III. Entretien

L'appareil doit être entretenu conformément au mode d'emploi et aux étiquettes fournies. Consulter le représentant de service Hoshizaki le plus proche pour les opérations d'entretien.

⚠ AVERTISSEMENT

- Seuls les techniciens d'entretien qualifiés doivent entretenir l'appareil.
- Afin de réduire le risque de choc électrique, ne pas toucher le commutateur de commande avec les mains humides.
- Mettre le commutateur de commande sur « OFF » et couper l'alimentation électrique avant l'entretien. Verrouiller/désactiver pour empêcher de remettre par erreur la machine sous tension.
- **RISQUE DE SUFFOCATION** : S'assurer que tous les composants, toutes les fixations et toutes les vis à oreilles sont bien en place après tout entretien de l'appareil. Vérifier qu'aucune de ces pièces n'est tombée dans l'unité de distribution/ le bac de stockage.

A. Programme d'entretien

Le programme d'entretien ci-dessous doit être respecté. Un entretien plus fréquent peut être nécessaire en fonction de la qualité de l'eau, de l'environnement de l'appareil et des réglementations locales en matière de désinfection.

Programme d'entretien		
Fréquence	Zone	Tâche
Tous les jours	Pelle à glaçons	Nettoyer la pelle à glace à l'aide d'un produit nettoyant neutre. Rincer soigneusement après le nettoyage.
Deux fois par semaine	Filtres à air	Inspecter. Laver à l'eau chaude et avec un produit nettoyant neutre s'ils sont sales.
Tous les mois	Filtres à eau externes	Vérifier que la pression est adaptée et la modifier si nécessaire.
	Extérieur de la machine à glace	Essuyer à l'aide d'un chiffon doux et propre. Pour éliminer les traces d'huile ou les saletés, utiliser un chiffon imbibé d'un produit nettoyant neutre. Nettoyer toute tâche de chlore (points colorés de rouille) à l'aide d'un produit nettoyant non abrasif.
	Dessous de la machine à glace et couvercle ; porte du bac	Rincer à l'eau chaude et essuyer avec un chiffon propre.
Tous les ans	Machine à glace et unité de distribution/bac de stockage de glace	Nettoyer et désinfecter conformément aux consignes de nettoyage et de désinfection fournies dans le présent manuel. Voir « III. B. Consignes de nettoyage et de désinfection ».
	Arrivée d'eau	Fermer la vanne d'arrêt de la conduite d'arrivée d'eau vers la machine à glace et vidanger le système d'eau. Nettoyer la grille d'entrée de l'arrivée d'eau.
	Condenseur	Inspecter. Nettoyer si nécessaire à l'aide d'une brosse ou d'un aspirateur. En fonction de l'emplacement, un nettoyage plus fréquent pourrait se révéler nécessaire.
	Flexibles d'eau	Inspecter les flexibles d'eau et les nettoyer/remplacer si nécessaire.

B. Consignes de nettoyage et de désinfection

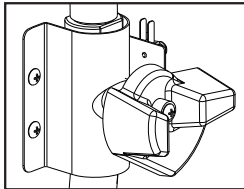
La machine à glace doit être nettoyée et désinfectée au moins une fois par an. Dans des conditions différentes de dureté ou autres de l'eau, un nettoyage et une désinfection plus fréquents pourraient s'avérer nécessaires.

⚠ AVERTISSEMENT

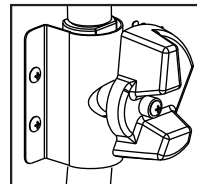
- Pour éviter toute blessure et toute détérioration de la machine à glace, ne pas utiliser de produits nettoyants du type ammoniac.
- Suivre attentivement les consignes indiquées sur les bouteilles des solutions de nettoyage et de désinfection.
- Toujours porter des gants et des lunettes de protection pour éviter que la peau ou les yeux ne soi(en)t en contact avec les solutions de nettoyage et de désinfection.
- Ne pas laisser la machine à glace sans surveillance lorsque les panneaux sont déposés.
- Pour éviter d'endommager le joint de la pompe à eau, ne pas laisser le commutateur de commande en position « WASH » (nettoyage) pendant des périodes prolongées lorsque le réservoir d'eau est vide.

IMPORTANT

- La vanne de nettoyage est ouverte pendant le nettoyage et la désinfection afin de permettre à la solution de circuler à l'intérieur de l'évaporateur. Elle doit être fermée pendant toute l'opération de fabrication de glace. Le compresseur ne fonctionne pas si cette vanne n'est pas complètement fermée.
- Pour fermer la vanne de nettoyage, sa poignée doit être à angle droit par rapport au corps de la vanne. Pour ouvrir la vanne de nettoyage, sa poignée doit être parallèle au corps de la vanne.



FERMEE
Fabrication de glace



OUVERTE
Nettoyage et désinfection (permet à la solution de circuler à l'intérieur de l'évaporateur)

Préparatifs

- 1) Déposer le panneau avant, puis déplacer le commutateur de commande sur « OFF » (arrêt). Au bout de 3 minutes, déplacer le commutateur de commande vers la position « ICE » (glace), puis remettre en place le panneau avant.
- 2) Au bout de 3 minutes, déposer le panneau avant, puis déplacer le commutateur de commande sur « OFF ».
- 3) Retirer toute la glace du bac de stockage. **AVERTISSEMENT ! En cas de travail sur une unité de distribution, couper l'alimentation électrique de l'unité après la distribution de la glace.**

Nettoyage

- 4) Déposer le panneau isolant avant, puis faire glisser le guide glaçons vers la droite. Déposer le bouchon en caoutchouc et le manchon qui recouvre le tuyau de trop-plein. Voir fig. 6. Dévisser le tuyau de trop-plein. Après la vidange du réservoir d'eau, raccorder de nouveau le tuyau de trop-plein. Remettre en place le flexible en caoutchouc, le bouchon de trop-plein, le guide glaçons et le panneau isolant avant. **AVIS ! Vérifier que le joint torique est bien attaché au bas du tuyau de trop-plein et veiller à ne pas fausser le filetage du tuyau de trop-plein.**
- 5) Pour remplir le réservoir d'eau, déplacer le commutateur de commande vers la position « ICE » (glace), puis remettre en place le panneau avant. Au bout de 3,5 minutes, déposer le panneau avant, puis déplacer le commutateur de commande sur « OFF » (arrêt).
- 6) Déposer le panneau isolant avant, puis verser 887 ml de produit « Scale Away » Hoshizaki ou l'autre désinfectant Hoshizaki recommandé dans le réservoir d'eau comme indiqué. Remettre en place le panneau isolant avant. Tourner la vanne de nettoyage vers la gauche jusqu'à ce qu'elle soit complètement à la verticale (ouverte).
- 7) **AVIS ! Pour éviter une production excessive de mousse, attendre 1 minute avant de continuer.**
Au bout de 1 minute, déplacer le commutateur de commande vers la position « WASH » (nettoyage), puis remettre en place le panneau avant.
- 8) Au bout de 30 minutes, déposer le panneau avant, puis déplacer le commutateur de commande sur « OFF » (arrêt).
- 9) Déposer le panneau isolant avant, puis faire glisser le guide glaçons vers la droite. Déposer le flexible en caoutchouc et le bouchon qui ferme le tuyau de trop-plein. Dévisser le tuyau de trop-plein. Après la vidange du réservoir d'eau, raccorder de nouveau le tuyau de trop-plein. Remettre en place le flexible en caoutchouc, le bouchon de trop-plein, le guide glaçons et le panneau isolant avant.
- 10) Si la qualité de l'eau est mauvaise, couper l'alimentation électrique, puis déposer, nettoyer (solution nettoyante = 40 ml de produit « Scale Away » Hoshizaki par litre d'eau chaude), rincer et remettre en place les guides glaçons, l'interrupteur à flotteur, les tuyaux d'arrivée d'eau, les tuyaux et les guides de pulvérisation ; remettre l'appareil sous tension une fois que cela est terminé. Dans le cas contraire, passer à l'étape 11.

Nettoyage, rinçage

- 11) Tourner la vanne de nettoyage vers la droite jusqu'à ce qu'elle soit complètement à l'horizontale (fermée). Déplacer le commutateur de commande vers la position « ICE » (glace), puis remettre en place le panneau avant. Au bout de 3,5 minutes, déposer le panneau avant, puis déplacer le commutateur de commande sur « OFF » (arrêt).
Remarque : La machine à glace ne fonctionne pas si la vanne de nettoyage n'est pas complètement fermée.
- 12) Tourner la vanne de nettoyage vers la gauche jusqu'à ce qu'elle soit complètement à la verticale (ouverte). Déplacer le commutateur de commande vers la position « WASH » (nettoyage), puis remettre en place le panneau avant. Au bout de 5 minutes, déposer le panneau avant, puis déplacer le commutateur de commande sur « OFF » (arrêt).
- 13) Déposer le panneau isolant avant, puis faire glisser le guide glaçons vers la droite. Déposer le flexible en caoutchouc et le bouchon qui ferme le tuyau de trop-plein. Dévisser le tuyau de trop-plein. Après la vidange du réservoir d'eau, raccorder de nouveau le tuyau de trop-plein. Remettre en place le flexible en caoutchouc, le bouchon de trop-plein, le guide glaçons et le panneau isolant avant.

Désinfection

- 14) Pour remplir le réservoir d'eau, tourner la vanne de nettoyage vers la droite jusqu'à ce qu'elle soit complètement à l'horizontale (fermée). Déplacer le commutateur de commande vers la position « ICE » (glace), puis remettre en place le panneau avant. Au bout de 3,5 minutes, déposer le panneau avant, puis déplacer le commutateur de commande sur « OFF » (arrêt).
- 15) Déposer le panneau isolant avant, puis verser 50 ml d'une solution d'hypochlorite de sodium (eau de javel) à 8,25 % dans le réservoir d'eau. Remettre en place le panneau isolant avant. Tourner la vanne de nettoyage vers la gauche jusqu'à ce qu'elle soit complètement à la verticale (ouverte). **IMPORTANT ! Utiliser un agent de blanchiment normal sans additifs. L'utilisation d'un agent de blanchiment avec des additifs entraîne une formation excessive de mousse pendant la désinfection, ce qui réduit l'efficacité de la désinfection.**
- 16) **AVIS ! Pour éviter une production excessive de mousse, attendre 1 minute avant de continuer.**
Au bout de 1 minute, déplacer le commutateur de commande vers la position « WASH » (nettoyage), puis remettre en place le panneau avant.
- 17) Au bout de 45 minutes, déposer le panneau avant, puis déplacer le commutateur de commande sur « OFF » (arrêt).
- 18) Déposer le panneau isolant avant, puis faire glisser le guide glaçons vers la droite. Déposer le flexible en caoutchouc et le bouchon qui ferme le tuyau de trop-plein. Dévisser le tuyau de trop-plein. Après la vidange du réservoir d'eau, raccorder de nouveau le tuyau de trop-plein. Remettre en place le flexible en caoutchouc, le bouchon de trop-plein, le guide glaçons et le panneau isolant avant.

Désinfection, rinçage 1

- 19) Tourner la vanne de nettoyage vers la droite jusqu'à ce qu'elle soit complètement à l'horizontale (fermée). Déplacer le commutateur de commande vers la position « ICE » (glace), puis remettre en place le panneau avant. Au bout de 3,5 minutes, déposer le panneau avant, puis déplacer le commutateur de commande sur « OFF » (arrêt).
- 20) Tourner la vanne de nettoyage vers la gauche jusqu'à ce qu'elle soit complètement à la verticale (ouverte). Déplacer le commutateur de commande vers la position « WASH » (nettoyage), puis remettre en place le panneau avant. Au bout de 5 minutes, déposer le panneau avant, puis déplacer le commutateur de commande sur « OFF » (arrêt).
- 21) Déposer le panneau isolant avant, puis faire glisser le guide glaçons vers la droite. Déposer le bouchon en caoutchouc et le manchon qui recouvre le tuyau de trop-plein. Dévisser le tuyau de trop-plein. Après la vidange du réservoir d'eau, raccorder de nouveau le tuyau de trop-plein. Remettre en place le flexible en caoutchouc, le bouchon de trop-plein, le guide glaçons et le panneau isolant avant.

Désinfection, rinçage 2

- 22) Tourner la vanne de nettoyage vers la droite jusqu'à ce qu'elle soit complètement à l'horizontale (fermée). Déplacer le commutateur de commande vers la position « ICE » (glace), puis remettre en place le panneau avant. Au bout de 3,5 minutes, déposer le panneau avant, puis déplacer le commutateur de commande sur « OFF » (arrêt).
- 23) Tourner la vanne de nettoyage vers la gauche jusqu'à ce qu'elle soit complètement à la verticale (ouverte). Déplacer le commutateur de commande vers la position « WASH » (nettoyage), puis remettre en place le panneau avant. Au bout de 5 minutes, déposer le panneau avant, puis déplacer le commutateur de commande sur « OFF » (arrêt).

24) Déposer le panneau isolant avant, puis faire glisser le guide glaçons vers la droite. Déposer le flexible en caoutchouc et le bouchon qui ferme le tuyau de trop-plein. Dévisser le tuyau de trop-plein. Après la vidange du réservoir d'eau, raccorder de nouveau le tuyau de trop-plein. Remettre en place le flexible en caoutchouc, le bouchon de trop-plein, le guide glaçons et le panneau isolant avant.

Désinfection, rinçage 3

- 25) Tourner la vanne de nettoyage vers la droite jusqu'à ce qu'elle soit complètement à l'horizontale (fermée). Déplacer le commutateur de commande vers la position « ICE » (glace), puis remettre en place le panneau avant. Au bout de 3,5 minutes, déposer le panneau avant, puis déplacer le commutateur de commande sur « OFF » (arrêt).
- 26) Tourner la vanne de nettoyage vers la gauche jusqu'à ce qu'elle soit complètement à la verticale (ouverte). Déplacer le commutateur de commande vers la position « WASH » (nettoyage), puis remettre en place le panneau avant. Au bout de 5 minutes, déposer le panneau avant, puis déplacer le commutateur de commande sur « OFF » (arrêt).
- 27) Déposer le panneau isolant avant, puis faire glisser le guide glaçons vers la droite. Déposer le flexible en caoutchouc et le bouchon qui ferme le tuyau de trop-plein. Dévisser le tuyau de trop-plein. Après la vidange du réservoir d'eau, raccorder de nouveau le tuyau de trop-plein. Remettre en place le flexible en caoutchouc, le bouchon de trop-plein, le guide glaçons et le panneau isolant avant. **AVIS ! Vérifier que le joint torique est bien attaché au bas du tuyau de trop-plein et veiller à ne pas fausser le filetage du tuyau de trop-plein.**
- 28) Nettoyer le revêtement du bac de stockage de glace à l'aide d'un produit nettoyant neutre. Rincer soigneusement après le nettoyage.
- 29) Tourner la vanne de nettoyage vers la droite jusqu'à ce qu'elle soit complètement à l'horizontale (fermée). Mettre le commutateur de commande sur « ICE ». Remarque : en cas de travail sur une unité de distribution, couper l'alimentation électrique de l'unité.
- 30) Remettre tous les panneaux dans leurs positions initiales.

IV. Préparation de l'appareil pour les périodes de non-utilisation

ATTENTION

- En cas d'entreposage de la machine à glace pour une longue durée ou à des températures au-dessous de zéro, suivre les consignes ci-dessous pour éviter un endommagement.
- Pour éviter d'endommager le joint de la pompe à eau, ne pas laisser le commutateur de commande en position « WASH » (nettoyage) pendant des périodes prolongées lorsque le réservoir d'eau est vide.

Lorsque la machine à glace n'est pas utilisée pendant deux ou trois jours dans des conditions normales, il suffit de déplacer le commutateur de commande sur la position « OFF » (arrêt). En cas d'entreposage de la machine à glace pour une longue durée ou à des températures au-dessous de zéro, suivre les consignes ci-dessous.

1. Enlever l'eau de la conduite d'arrivée d'eau de la machine à glace :

- 1) Mettre la machine à glace hors tension, puis déposer le panneau avant.
- 2) Mettre le commutateur de commande sur « OFF ».
- 3) Fermer la vanne d'arrêt de la conduite d'arrivée d'eau vers la machine à glace, puis ouvrir le robinet de vidange de la conduite d'arrivée d'eau.
- 4) Laisser la conduite se vidanger par gravité.
- 5) Raccorder une source d'alimentation en air comprimé ou dioxyde de carbone au robinet de vidange de la conduite d'arrivée d'eau vers la machine à glace.
- 6) Mettre le commutateur de commande sur « ICE ».
- 7) Remettre correctement en place le panneau avant, puis mettre la machine à glace sous tension.
- 8) Souffler dans la conduite d'arrivée d'eau vers la machine à glace à l'aide d'une source d'alimentation en air comprimé ou dioxyde de carbone.
- 9) Fermer le robinet de vidange de la conduite d'alimentation en eau vers la machine à glace.

2. Vidanger le réservoir d'eau :

- 1) Mettre la machine à glace hors tension, puis déposer le panneau avant. Mettre le commutateur de commande sur « OFF ».
- 2) Déposer le panneau isolant.
- 3) Faire glisser le guide glaçons vers la droite, puis déposer le flexible en caoutchouc et le bouchon de trop-plein qui ferme le tuyau de trop-plein. Voir fig. 16. Dévisser le tuyau de trop-plein. Après la vidange du réservoir d'eau, raccorder de nouveau le tuyau de trop-plein. Remettre le flexible en caoutchouc, le bouchon de trop-plein et le guide glaçons dans leurs positions initiales. **AVIS ! Vérifier que le joint torique est bien attaché au bas du tuyau de trop-plein et veiller à ne pas fausser le filetage du tuyau de trop-plein.**
- 4) Remettre correctement en place le panneau isolant.
- 5) Retirer toute la glace du bac de stockage. Nettoyer le bac de stockage à l'aide d'un produit nettoyant neutre. Rincer soigneusement après le nettoyage.
- 6) Remettre correctement en place le panneau avant.

V. GARANTIE

Hoshizaki garantit au propriétaire/à l'utilisateur d'origine que tous les produits portant la marque Hoshizaki seront exempts de tout défaut et/ou vice de fabrication au cours de la « période de garantie ». La garantie est valable deux ans à compter de la date d'installation.

La responsabilité de Hoshizaki aux termes de la garantie est limitée et exclut les interventions d'entretien de routine, de nettoyage, de maintenance essentielle et/ou les réparations découlant d'une utilisation abusive et d'installations non conformes aux directives de Hoshizaki.

Les réparations effectuées au titre de la garantie doivent être effectuées par un revendeur ou un réparateur agréé Hoshizaki utilisant des composants Hoshizaki d'origine.

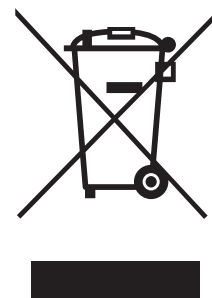
Pour tout renseignement sur la garantie et les agents de service agréés, prendre contact avec le distributeur/fournisseur ou le centre de services Hoshizaki le plus proche.

VI. MISE AU REBUT

Respecter les réglementations locales relatives à la mise au rebut de cet appareil et de son gaz frigorigène. Avant de mettre l'appareil au rebut, enlever la porte pour éviter qu'un enfant ne reste emprisonné.

Mise au rebut correcte de ce produit :

Ce symbole indique que ce produit ne doit pas être mis au rebut avec d'autres déchets ménagers dans l'UE. Pour empêcher que le dépôt non contrôlé de déchets ne nuise à l'environnement ou à la santé, recycler ce produit de manière responsable de sorte que les ressources matérielles soient réutilisées. Pour se débarrasser de l'appareil usagé, s'adresser aux services de collecte de déchets ou contacter le détaillant où le produit a été acheté. Ils peuvent prendre en charge ce produit et le recycler de manière respectueuse pour l'environnement.



AVERTISSEMENT



La mousse d'isolation utilisée dans la carrosserie de l'unité contient du gaz inflammable (cyclopentane). Prendre cela en compte lors de la mise au rebut de l'appareil afin de le recycler correctement.

WICHTIG

Dieses Handbuch vor Installation und Inbetriebnahme des Geräts sorgfältig durchlesen. Die Warn- und Gebrauchshinweise in diesem Handbuch sorgfältig durchlesen, da sie wichtige Informationen für den dauerhaft sicheren Gebrauch und die Wartung des Geräts liefern. Dieses Handbuch zur künftigen Bezugnahme aufbewahren.

Wichtige Sicherheitshinweise

Dieses Handbuch enthält Hinweise, die Sie auf Situationen aufmerksam machen sollen, die Tod, schwere Verletzungen, Schäden am Gerät oder Sachschäden verursachen können.

- ⚠ WARNUNG** Kennzeichnet eine gefährliche Situation, die zum Tod oder zu schweren Verletzungen führen kann.
- HINWEIS** Kennzeichnet eine gefährliche Situation, die zu Schäden am Gerät oder Sachschäden führen kann.
- WICHTIG** Kennzeichnet wichtige Informationen zu Installation, Gebrauch und Pflege des Geräts.
- VORSICHT** Kennzeichnet eine gefährliche Situation, die, wenn sie nicht vermieden wird, zu leichten oder mittleren Verletzungen führen kann.

⚠️ WARNUNG

Das Gerät ist nur wie ausdrücklich vorgesehen zu verwenden. Jede andere Verwendung ist als Zweckentfremdung und somit als gefährlich anzusehen. Der Hersteller haftet nicht für Verletzungen oder Schäden durch unsachgemäßen, falschen oder unvernünftigen Gebrauch. Wenn das Gerät nicht wie in diesem Handbuch beschrieben installiert, betrieben und gewartet wird, beeinträchtigt dies Sicherheit, Leistung, Lebensdauer der Bauteile und Garantieabdeckung und kann zu kostspieligen Wasserschäden führen.

Zur Reduzierung der Gefahr von Todesfällen, elektrischen Schlägen, schweren Verletzungen oder Bränden diese grundlegenden Vorsichtsmaßnahmen beachten:

- Nur qualifizierte Wartungstechniker dürfen das Gerät installieren und warten.
- Das Gerät ist gemäß den vor Ort geltenden Gesetzen und Vorschriften zu installieren.
- Elektrische Verbindungen müssen fest verdrahtet sein und die vor Ort geltenden Vorschriften für Elektroinstallationen erfüllen. Die Nichteinhaltung der gesetzlichen Vorschriften kann den Tod, elektrische Schläge, schwere Verletzungen, Brände oder Schäden nach sich ziehen.
- Der Eisbereiter benötigt eine unabhängige Stromversorgung von geeigneter Kapazität. Siehe technische Daten in diesem Handbuch. Wird keine unabhängige Stromversorgung von geeigneter Kapazität verwendet, kann ein Schutzschalter ausgelöst werden, eine Sicherung durchbrennen oder Verkabelung oder Gerätekomponenten beschädigt werden. Dies wiederum kann zu Wärmeerzeugung oder Bränden führen.
- **DER EISBEREITER MUSS GEERDET WERDEN.** Eine nicht erfolgende oder unsachgemäße Erdung des Eisbereiters kann den Tod oder schwere Verletzungen nach sich ziehen.
- Zur Reduzierung des Risikos von elektrischen Schlägen den Steuerschalter nicht mit nassen Händen berühren.
- Vor der Wartung den Steuerschalter auf „OFF“ stellen und die Stromversorgung trennen. Die Stromversorgung sperren/kennzeichnen, damit sie nicht versehentlich wieder eingeschaltet wird.
- Keine Veränderungen am Gerät vornehmen. Veränderungen können elektrische Schläge, schwere Verletzungen, Brände oder Schäden nach sich ziehen.
- Das Gerät darf nicht von Personen (einschl. Kindern) benutzt werden, deren physische, sensorische oder mentale Fähigkeiten eingeschränkt sind oder die über keine Erfahrung und kein Wissen verfügen, es sei denn, sie werden von einer für ihre Sicherheit verantwortlichen Person bei der Benutzung des Geräts beaufsichtigt oder angeleitet.
- Kinder sollten sich nur unter angemessener Beaufsichtigung in der Nähe des Geräts aufhalten.
- Nicht auf das Gerät klettern, darauf stehen oder etwas daran aufhängen und auch nicht zulassen, dass Kinder oder Tiere dies tun. Es kann zu schweren Verletzungen oder Geräteschäden kommen.
- Kein feuergefährliches Spray verwenden oder in der Nähe des Geräts flüchtige oder entflammbare Substanzen aufbewahren. Diese können sich entzünden.
- Den Bereich um das Gerät sauber halten. Schmutz, Staub oder Insekten im Gerät können Personen- oder Geräteschäden nach sich ziehen.

HINWEIS

- Die Anweisungen für Wasserversorgung, Ablaufanschluss und Wartung sorgfältig einhalten, um das Risiko kostspieliger Wasserschäden zu reduzieren.
- In Bereichen, in denen Wasserschäden ein besonderes Problem darstellen, in einem eingeschlossenen Bereich mit Bodenabfluss installieren.
- Den Eisbereiter an einem Ort installieren, an dem stets Temperaturen über dem Gefrierpunkt herrschen. Die Raumtemperatur muss in der Regel zwischen 7 °C und 38 °C liegen.
- Den Eisbereiter in Perioden längeren Nichtgebrauchs, längerer Abwesenheit oder bei Temperaturen unter dem Gefrierpunkt nicht eingeschaltet lassen. Um den Eisbereiter auf die oben genannten Situationen vorzubereiten, beachten Sie die Hinweise unter „IV. Vorbereitung des Geräts bei längerem Nichtgebrauch“.
- Keine Gegenstände auf das Gerät legen.
- Die Abgabeeinheit/der Eisaufbewahrungsbehälter ist ausschließlich für Eis zu verwenden. Nichts anderes in Abgabeeinheit/Eisaufbewahrungsbehälter aufbewahren.

I. Technische Daten

A. Daten zu Elektrik und Kältemittel

Auf dem Typenschild sind Daten zu Elektrik und Kältemittel angegeben. Das Typenschild befindet sich an der linken Blende. Zertifizierungskennzeichnungen sind ebenfalls dem Typenschild zu entnehmen.

Wir behalten uns das Recht vor, technische Daten und Konstruktionen ohne vorherige Mitteilung zu ändern.

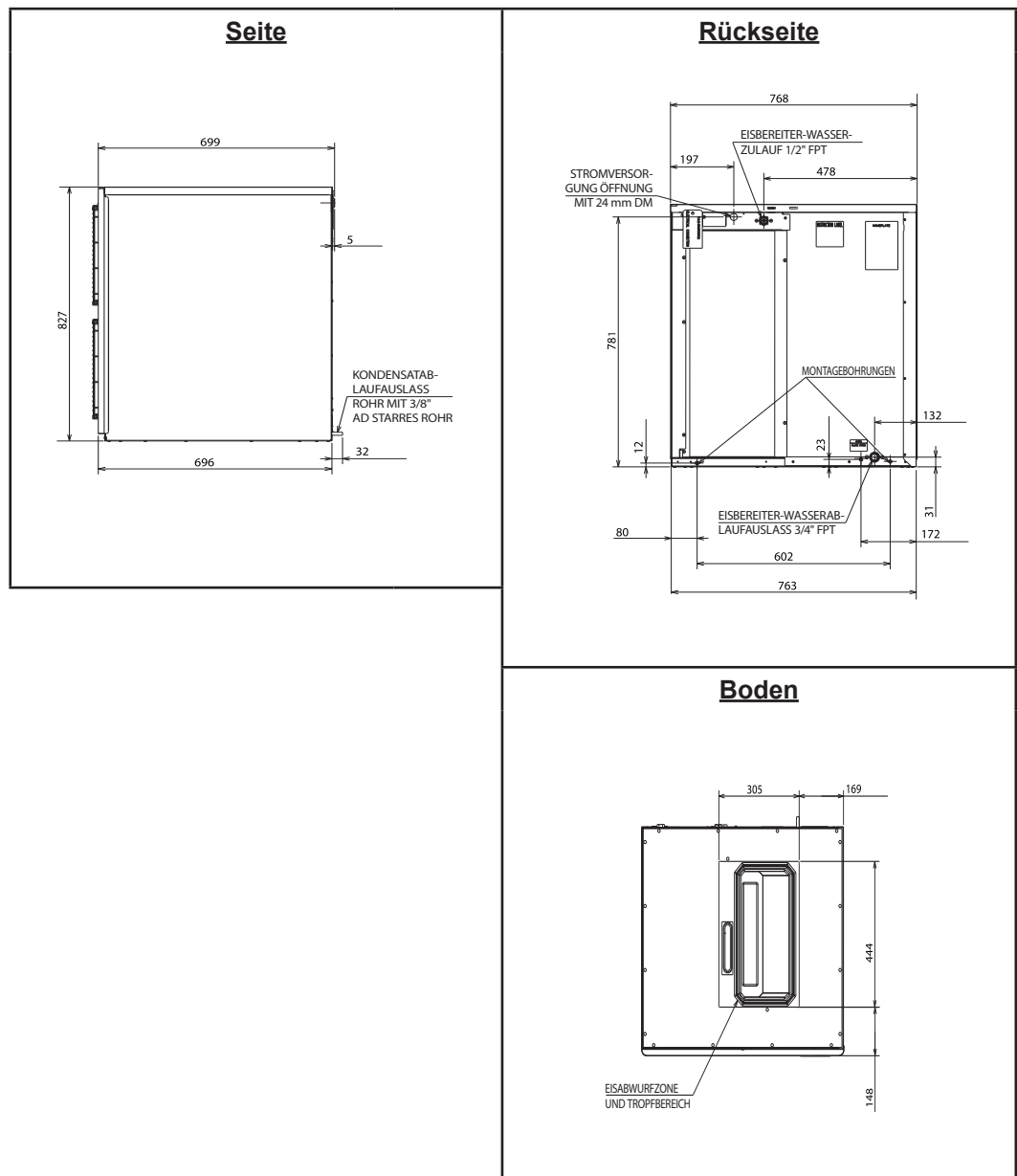
1. KM-470AJE-R452

Modell	KM-470AJE-R452
Typ	Luftgekühlt, Halbmondeisstücke
Stromversorgung	1 Phase / 220 - 240 V, 50 Hz
Leistungsaufnahme	3,45 kVA (15,0 A)
Anschlussleistung	1850 W (AT: 32 °C, WT: 21 °C)
Eisproduktion in 24 Std.	495 kg (AT: 10 °C, WT: 10 °C)
Abmessungen	762 mm (B) x 695 mm (T) x 825 mm (H)
Kältemittel	R452A 1,40 kg (GWP: 1945, CO ₂ : 2,723 t)
Isolierschaum-Treibmittel	Cyclopentan
Gewicht	Netto: 122 kg (brutto: 136 kg)
Umgebungstemp	7 - 38 °C
Wasserzufuhrtemp	7 - 32 °C
Wasserzufuhrdruck	0,07 - 0,78 MPa (0,7 - 7,8 bar)
Versorgungsspannungsbereich	198 - 254 V

B. Abmessungen/Anschlüsse

1. KM-470AJE-R452

Einheiten: mm



HINWEIS

- KM-470AJE-R452: Darauf achten, dass hinten, an den Seiten und oben 30 cm freier Raum verbleiben, um eine einwandfreie Luftzirkulation zu ermöglichen und etwaige Wartungs- und/oder Reparaturarbeiten zu erleichtern.
- Die Öffnung des Eisvorratsbehälters muss wie abgebildet mit der Bodenöffnung übereinstimmen.

II. Installations- und Bedienungsanleitung

⚠ WARNUNG

- Das Gerät ist gemäß den vor Ort geltenden Gesetzen und Vorschriften zu installieren.
- Wenn das Gerät nicht wie in diesem Handbuch beschrieben installiert, betrieben und gewartet wird, beeinträchtigt dies Sicherheit, Leistung, Lebensdauer der Bauteile und Garantieabdeckung und kann zu kostspieligen Wasserschäden führen.
- **ERSTICKUNGSGEFAHR:** Alle Komponenten, Befestigungsmittel und Flügelschrauben müssen nach der Installation gut befestigt sein. Vergewissern Sie sich, dass keine davon in die Abgabeeinheit/den Vorratsbehälter gefallen sind.

A. Einbaulage

VORSICHT

- Der Eisbereiter eignet sich nicht für den Gebrauch im Freien. Für Normalbetrieb muss die Raumtemperatur zwischen 7 °C und 38 °C und die Wassertemperatur zwischen 7 °C und 32 °C liegen. Längerer Gebrauch des Eisbereiters bei Temperaturen außerhalb dieser normalen Temperaturgrenzwerte kann die Eisbereiterleistung beeinträchtigen.
- Der Eisbereiter arbeitet nicht bei Temperaturen unter dem Gefrierpunkt. Um Schäden an der Wasserzufuhrleitung zu vermeiden, ist das Wasser aus dem System zu entfernen, falls die Lufttemperatur unter 0 °C sinken soll. Für Einzelheiten hierzu siehe „IV. Vorbereitung des Geräts bei längerem Nichtgebrauch“.

- Der Eisbereiter darf nicht neben Öfen, Grills oder anderen Geräten aufgestellt werden, die Hitze erzeugen.
- Bei diesem Eisbereiter sind hinten, an den Seiten und oben 30 cm Freiraum zu belassen, um eine einwandfreie Luftzirkulation zu ermöglichen und etwaige Wartungs- und/oder Reparaturarbeiten zu erleichtern.
- Der Aufstellort für das Gerät muss stabil und eben sein.

B. Überprüfungen vor der Installation

- Überprüfen Sie die Außenseite der Lieferverpackung visuell und teilen Sie dem Lieferanten etwaige Beschädigungen sofort mit. Erst nach dem Öffnen der Verpackung erkennbare Schäden sollten dem Lieferanten ebenfalls sofort mitgeteilt werden.
- Versandkarton, Bänder und anderes Verpackungsmaterial entfernen. Verbleibt es im Gerät, so arbeitet dieses nicht richtig.
- Einen Blick auf das Typenschild an der linken Blende werfen und überprüfen, dass die Versorgungsspannung der auf dem Typenschild angegebenen Spannung entspricht.
- Beim Installieren des Geräts die Blenden entfernen, um Beschädigungen zu vermeiden. Siehe „II. C. Abnehmen der Blenden“.
- Die Packung mit den Zubehörteilen herausnehmen.
- Die Schutzfolie von den Blenden entfernen. Wenn das Gerät Sonne oder Wärme ausgesetzt ist, die Folie erst nach dem Abkühlen des Geräts abziehen.
- Überprüfen, dass die Kältemittelleitungen keine Leitungen berühren oder sich daran reiben oder andere Oberflächen berühren und sich der Ventilatorflügel (falls vorhanden) frei drehen kann.
- Überprüfen, dass der Verdichter eng an allen Montageblöcken anliegt.
- Der Eisbereiter kann auf einem Vorratsbehälter der Breite 30" oder größer installiert werden. Hoshizaki-Eisvorratsbehälter, empfohlen wird Modell B-210SA. Wenden Sie sich für weitere Optionen an Ihren Hoshizaki-Händler vor Ort.

Modellnummer	Behälterbreite	Empfohlener Hoshizaki-Eisvorratsbehälter
KM-470AJE-R452	30" oder breiter	B-210SA

Wenden Sie sich für weitere Optionen an Ihren Hoshizaki-Händler vor Ort.

C. Abnehmen der Blenden

Siehe Abb. 1

- Frontplatte: Die Schraube entfernen. Abheben und zu sich hin ziehen.
- Deckplatte: Vorne ein Stück anheben, nach hinten schieben und abheben.
- Rechte Seitenblende: Die Schraube entfernen. Ein Stück nach vorne schieben und abheben.
- Isolationsblende: Ein Stück abheben und zu sich hin ziehen.

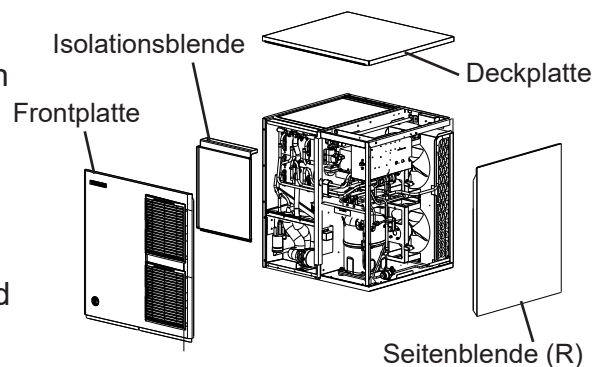


Abb. 1

D. Einrichtung

1. Einrichtung des Eisvorratsbehälters und des Eisbereiters

⚠ WARNUNG

Der Installateur muss dafür sorgen, dass der Eisvorratsbehälter mit dem Eisbereiter kompatibel ist und die Abgabeeinheit/der Eisvorratsbehälter korrekt angebracht und befestigt werden.

- 1) Den Eisvorratsbehälter auspacken und die mitgelieferten 4 verstellbaren Füße (Vorratsbehälterzubehör) am Boden des Eisvorratsbehälters anbringen.
- 2) Den Eisvorratsbehälter in seiner endgültigen Position anordnen.
- 3) Den Eisbereiter auf die Oberseite des Vorratsbehälters setzen.
- 4) Den Eisbereiter mit den mitgelieferten 2 Montagehalterungen und Bolzen am Vorratsbehälter befestigen. Siehe Abb. 2.
- 5) Eisbereiter und den Vorratsbehälter in allen vier Richtungen nivellieren. Zum Nivellieren des Eisbereiters die Füße des Vorratsbehälters verstellen.
- 6) Eisbereiter: Blenden wieder anbringen. Siehe Abb. 2.

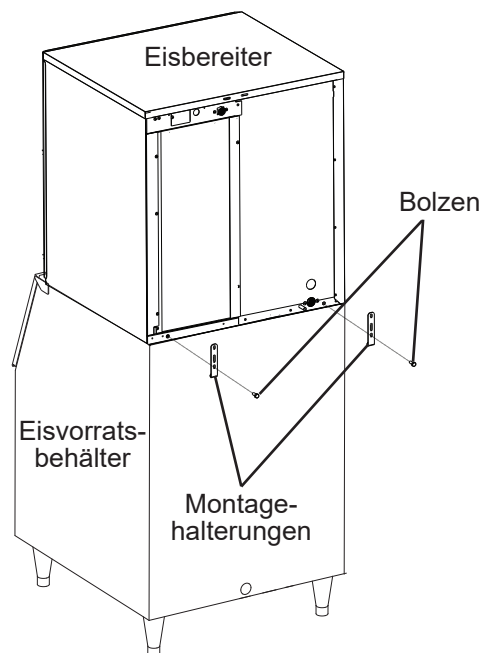


Abb. 2

2. Installation der Behältersteuerung

VORSICHT

Vor Inbetriebnahme des Eisbereiters muss die Behältersteuerung installiert werden. Eine unsachgemäße Installation der Behältersteuerung kann zu einer Störung der Eisvorratshaltung und Schäden am Eisbereiter führen.

- 7) Die Thermostatbaugruppe der Behältersteuerung wie folgt installieren. Siehe Abb. 3.
 - a. Die Thermostatbaugruppe der Behältersteuerung vom Versandhaken entfernen.
 - b. Die 2 Flügelschrauben unter der Thermostatbaugruppe der Behältersteuerung entfernen.
 - c. Die Thermostatbaugruppe der Behältersteuerung durch das Loch im Boden des Eisbereiters absenken. Die Thermostatbaugruppe der Behältersteuerung mit dem unteren Haken und den 2 im vorherigen Schritt entfernten Flügelschrauben befestigen.
 - d. Den Stecker bis zum Einrasten die Buchse an der Baugruppe einführen.

WICHTIG! Für den Betrieb des Eisbereiters muss der Stecker in die Buchse eingeführt sein.
- 2) Die Blenden wieder anbringen.

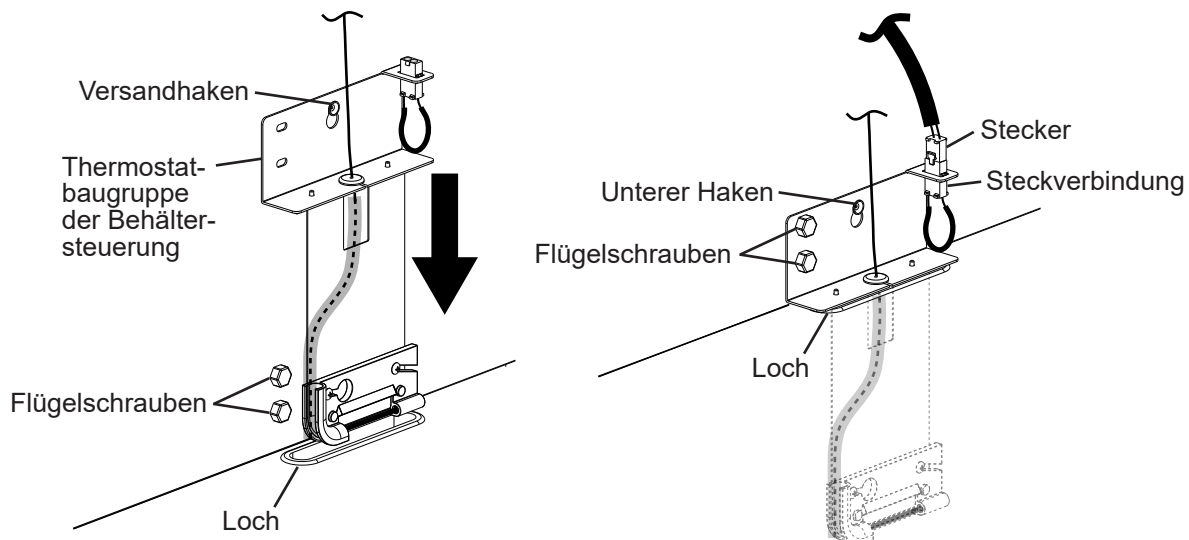


Abb. 3

E. Elektrischer Anschluss

⚠️ WARNUNG

Für alle Modelle

- Elektrische Verbindungen müssen fest verdrahtet sein und die vor Ort geltenden Vorschriften für Elektroinstallationen erfüllen. Die Nichteinhaltung der gesetzlichen Vorschriften kann den Tod, elektrische Schläge, schwere Verletzungen, Brände oder Schäden nach sich ziehen.
- Der Eisbereiter benötigt eine unabhängige Stromversorgung von geeigneter Kapazität. Die technischen Daten für die Elektrik finden Sie auf dem Typenschild. Wird keine unabhängige Stromversorgung von geeigneter Kapazität verwendet, kann ein Schutzschalter ausgelöst werden, eine Sicherung durchbrennen oder Verkabelung oder Gerätekomponenten beschädigt werden. Dies wiederum kann zu Wärmeerzeugung oder Bränden führen.
- **DER EISBEREITER MUSS GEERDET WERDEN.** Eine nicht erfolgende oder unsachgemäße Erdung des Eisbereiters kann den Tod oder schwere Verletzungen nach sich ziehen.
- Der elektrische Anschluss muss gemäß den Anweisungen auf dem Anhänger „WARNUNG“ im Verteilerkasten mit den Anschlussdrahtenden erfolgen. Siehe Abb. 4.

- In der Regel wird hierzu ein Elektriker mit entsprechender Qualifikation und Zulassung benötigt.
- Die maximale Spannungsschwankung beträgt ± 10 Prozent des auf dem Typenschild angegebenen Nennwerts.
- **HINWEIS! KM-470AJE-R452: Der Spannungsabgriffschalter des Haupttransformators muss in Übereinstimmung mit der Eingangsspannung beim Start positioniert sein.**
- Die Öffnung für den Stromversorgungsanschluss beträgt $7/8$ " im Durchmesser, passend für eine handelsübliche $1/2$ "-Durchführung.

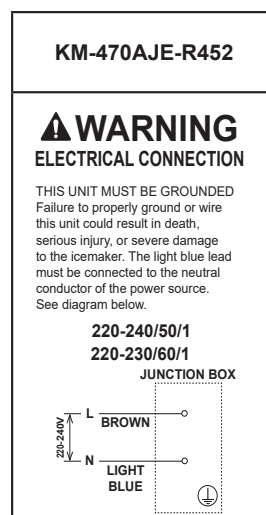
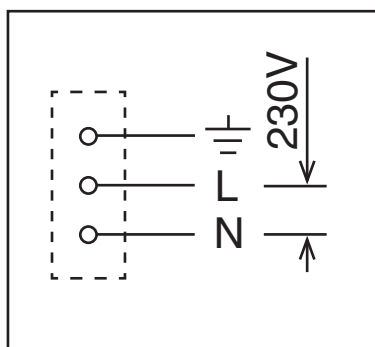


Abb. 4

F. Wasserzufuhr- und Wasserablaufanschlüsse

Siehe Abb. 5.

WARNUNG

- Die Wasserzufuhr- und Wasserablaufanschlüsse sind gemäß den vor Ort geltenden Vorschriften zu installieren.
- Im Normalbetrieb sollte die Wassertemperatur zwischen 7 °C und 32 °C betragen. Der längere Gebrauch des Geräts bei Temperaturen außerhalb dieser normalen Temperaturgrenzwerte kann die Geräteleistung beeinträchtigen.
- Der Druck in der Wasserzufuhrleitung muss mindestens 0,07 MPa (0,7 bar) und darf höchstens 0,78 MPa (7,8 bar) betragen. Bei einem höheren Druck als 0,78 MPa (7,8 bar) ist ein Druckminderungsventil erforderlich.
- Um Schäden am Gerät zu vermeiden, darf das Gerät nicht betrieben werden, wenn die Wasserzufuhr ausgeschaltet ist oder ihr Druck unter 0,07 MPa (0,7 bar) liegt. Das Gerät erst betreiben, wenn ein geeigneter Wasserdruck erreicht wurde.
- Je nach Wasserqualität können externe Filter, Siebe oder Weichmacher erforderlich sein. Wenden Sie sich für Empfehlungen an den Hoshizaki-Kundendienst oder Hoshizaki-Händler vor Ort.

- In bestimmten Gebieten sind eine Installationsgenehmigung und der Anschluss durch einen zugelassenen Installateur erforderlich.
- Der Eisbereiterablaufleitung, die Eisvorratsbehälterablaufleitung und die Ablaufleitung des wassergekühlten Verflüssigers (falls vorhanden) müssen separat verlaufen. Die Kondensatablaufleitung kann mit der Ablaufleitung des Eisbereiters verbunden oder separat verlegt werden.
- Ablaufleitungen müssen pro 1 m horizontalen Verlauf 2 cm Gefälle aufweisen, um einen guten Durchfluss zu erzielen. Für den einwandfreien Durchfluss ist auch ein belüftetes T-Stück erforderlich.
- Die Verrohrung von Ablaufleitungen sollte nicht direkt in das Abwassersystem führen. Vom Ablaufleitungsende des Eisbereiters, des Kondensatablaufs, des Eisvorratsbehälters und des wassergekühlten Verflüssigers (falls vorhanden) sollte mindestens ein 5 cm hoher vertikaler Luftspalt zum Bodenabfluss verbleiben.

Wasserzulauf des Eisbereiters	Mindestgröße der Wasserzulaufleitung des Eisbereiters	Ablaufauslass des Eisbereiters	Mindestgröße der Ablaufleitung des Eisbereiters	Kondensat-ablaufauslass
1/2"-Innengewinderohr (FPT)	Kupferwasserrohr mit 3/8" Nenn-ID oder gleichwertig	3/4"-Innengewinderohr (FPT)	Starres Rohr mit 3/4" Nenn-ID oder gleichwertig	Starres Rohr mit 3/8" AD

- Es muss ein Wasserzulauf-Absperrventil des Eisbereiters installiert werden.
- Es muss eine ausreichende Zusatzlänge der Wasserzufuhrleitung und Ablaufleitung vorhanden sein, um das Gerät für Wartungsarbeiten herauszuziehen.

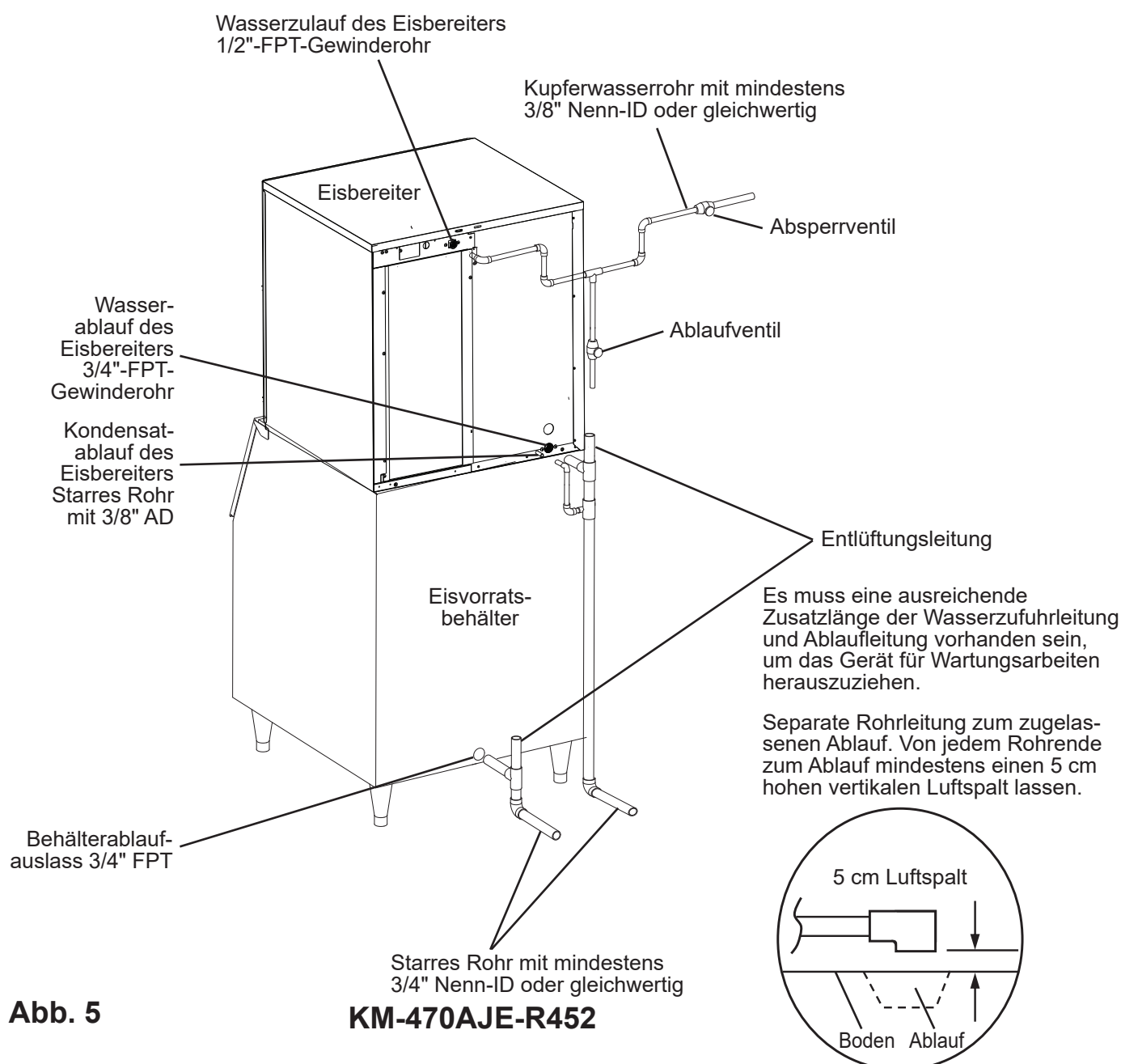


Abb. 5

KM-470AJE-R452

G. Abschlussprüfliste

WARNUNG

ERSTICKUNGSGEFAHR: Alle Komponenten, Befestigungsmittel und Flügelschrauben müssen nach der Installation gut befestigt sein. Vergewissern Sie sich, dass keine davon in die Abgabeeinheit/den Vorratsbehälter gefallen sind.

- 1) Steht der Eisbereiter waagrecht?
- 2) Befindet sich der Eisbereiter an einem Ort, an dem die Umgebungstemperatur ganzjährig 7 °C bis 38 °C und die Wassertemperatur 7 °C bis 32 °C beträgt?
- 3) Bei KM-470AJE-R452: Gibt es mindestens 30 cm Platz hinten, an den Seiten und über dem Eisbereiter?
- 4) Wurden die Versandverpackungen, Klebebänder und anderen Verpackungsmaterialien vom Gerät entfernt? Befindet sich die Eiswürfelführung in den richtigen Positionen? Sind die Trennplatten zwischen den Verdampferaggregaten richtig an ihren Halterungsklemmen angebracht?
- 5) Sind alle elektrischen und Wasseranschlüsse hergestellt worden? Erfüllen die elektrischen und Wasseranschlüsse die geltenden Vorschriften?
- 6) Wurde die Netzspannung kontrolliert und stimmt sie mit der auf dem Typenschild angegebenen Spannung überein? Wurde der Eisbereiter sachgerecht geerdet?
- 7) Ist die Größe der Wasserzulauf- und Ablaufleitungen wie vorgegeben? Wurden Wasserzulauf- Absperrventil(e) und Ablaufventil(e) installiert? Wurde geprüft, ob der Druck in der Wasserzufuhrleitung mindestens 0,07 MPa (0,7 bar) und höchstens 0,78 MPa (7,8 bar) beträgt?
- 8) Liegt der Verdichter eng an allen Montageblöcken an? Wurden die Kältemittelleitungen darauf geprüft, dass sie nicht an anderen Leitungen oder Oberflächen reiben oder diese berühren? Wurden die Lüfterschaufeln auf ungehinderte Drehung geprüft?
- 9) Sitzen alle Komponenten, Befestigungsmittel und Flügelschrauben fest?
- 10) Wurde dem Endanwender die Bedienungsanleitung ausgehändigt? Hat man ihn eingewiesen, wie das Gerät zu betreiben ist, und wurde er auf die Wichtigkeit der empfohlenen periodischen Wartung aufmerksam gemacht?
- 11) Wurden dem Endanwender Kontaktinformationen eines autorisierten Wartungsunternehmens genannt?

H. Start

⚠️ WARNUNG

- Alle Komponenten wurden werksseitig eingestellt. Falsche Justierungen können sich negativ auf Sicherheit, Leistung, Komponentenlebensdauer und Garantieabdeckung auswirken.
- Um eine Beschädigung des Verdichters zu vermeiden, nach Ausschalten des Eisbereiters mindestens 3 Minuten lang warten, bevor der Eisbereiter wieder eingeschaltet wird.
- Um eine Beschädigung der Wasserpumpendichtung zu vermeiden, den Steuerschalter nicht über längere Zeit in der Position „WASH“ lassen, wenn der Wassertank leer ist.
- Prüfen Sie beim Start, dass alle internen und externen Anschlüsse dicht sind.

- 1) Das oder die Wasserzulauf-Absperrventile öffnen.
- 2) Die Frontplatte entfernen.
- 3) Den Steuerschalter am Steuerkasten in die Position „ICE“ stellen.
- 4) Die Frontplatte wieder anbringen.
- 5) Stromversorgung einschalten und den Eisbereiter 10 Minuten lang laufen lassen.
- 6) Die Stromversorgung ausschalten und die Frontplatte und die Isolationsblende entfernen.
- 7) Die Eiswürfelführung nach rechts schieben und die Gummikappe und die Hülse vom Überlaufrohr entfernen. Siehe Abb. 6. Das Überlaufrohr abschrauben. Nach dem Entleeren des Wassertanks das Überlaufrohr wieder anschließen. Den Gummischlauch, die Überlaufkappe und die Eiswürfelführung wieder anbringen. **HINWEIS! Sicherstellen, dass der O-Ring an der Unterseite des Überlaufrohrs angebracht ist und das Überlaufrohr nicht schräg eingeschraubt ist.**
- 8) Frontplatte und Isolationsblende wieder anbringen.
- 9) Die Abgabeeinheit/Auskleidung des Vorratsbehälters mit einem neutralen Reinigungsmittel reinigen. Nach dem Reinigen gründlich spülen.
- 10) Die Stromversorgung einschalten, um die automatische Eiszubereitung zu starten.
- 11) Bei laufendem Eisbereiter einen Eiswürfel in Kontakt mit der Glühbirne halten. Der Eisbereiter muss sich jetzt innerhalb von 10 Sekunden ausschalten. Möglicherweise sind Justierungen erforderlich, insbesondere in größeren Höhen.

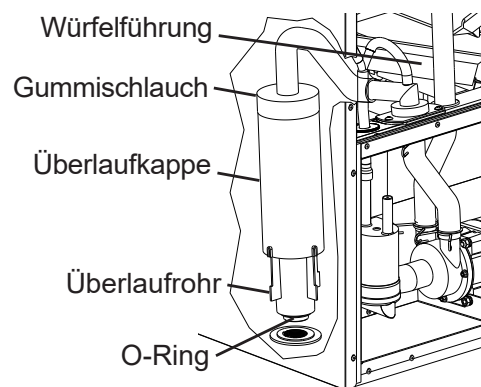


Abb. 6

III. Wartung

Das Gerät muss gemäß dem mitgelieferten Bedienungshandbuch und den Schildern gewartet werden. Wenden Sie sich für Wartungsdienste an Ihren Hoshizaki-Kundendienst vor Ort.

WARNUNG

- Nur qualifizierte Wartungstechniker dürfen das Gerät warten.
- Zur Reduzierung des Risikos von elektrischen Schlägen den Steuerschalter nicht mit nassen Händen berühren.
- Vor der Wartung den Steuerschalter auf „OFF“ stellen und die Stromversorgung trennen. Die Stromversorgung sperren/kennzeichnen, damit sie nicht versehentlich wieder eingeschaltet wird.
- **ERSTICKUNGSGEFAHR:** Nach jeder Wartung des Geräts sicherstellen, dass alle Komponenten, Befestigungsmittel und Flügelschrauben gut befestigt sind. Vergewissern Sie sich, dass keine davon in die Abgabeeinheit/den Vorratsbehälter gefallen sind.

A. Wartungszeitplan

Der folgende Wartungszeitplan ist ein Leitfaden. Je nach Wasserqualität, Geräteumgebung und örtlichen Hygienevorschriften kann eine häufigere Wartung erforderlich sein.

Wartungszeitplan		
Häufigkeit	Bereich	Aufgabe
Täglich	Schaufel	Die Eisschaufel mit einem neutralen Reinigungsmittel reinigen. Nach dem Reinigen gründlich spülen.
Alle zwei Wochen	Luftfilter	Untersuchen. Bei Verschmutzung mit warmem Wasser und einem neutralen Reinigungsmittel waschen.
Monatlich	Externe Wasserfilter	Auf korrekten Druck prüfen und bei Bedarf austauschen.
	Äußeres des Eisbereiters	Mit einem sauberen, weichen Tuch abwischen. Fett- und Schmutzspuren mit einem feuchten Tuch und neutralen Reinigungsmittel entfernen. Chlorflecken (rostfarbene Flecken) mit einem nicht scheuernden Reinigungsmittel entfernen.
	Unterseite von Eisbereiter und Deckel-Kits; Behältertür	Mit einem sauberen Tuch und warmem Wasser abwischen.
Jährlich	Eisbereiter und Abgabeeinheit/ Eisvorratsbehälter	Gemäß den Anweisungen zu Reinigung und Desinfektion reinigen und desinfizieren. Siehe „III. B. Reinigungs- und Desinfektionsanleitung“.
	Wasserzulauf	Das Wasserzulauf-Absperrventil des Eisbereiters schließen und das Wassersystem entleeren. Wasserzulaufsieb reinigen.
	Verflüssiger	Untersuchen. Bei Bedarf mit einer Bürste oder einem Staubsauger reinigen. Abhängig vom Aufstellungsort kann häufigere Reinigung erforderlich sein.
	Wasserschläuche	Wasserschläuche untersuchen und bei Bedarf reinigen/austauschen.

B. Reinigungs- und Desinfektionsanleitung

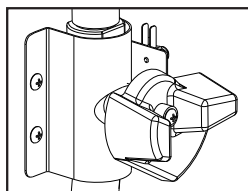
Der Eisbereiter muss mindestens einmal im Jahr gereinigt und desinfiziert werden. Bei bestimmten Wassereigenschaften kann häufigeres Reinigen und Desinfizieren erforderlich sein.

⚠️ WARNUNG

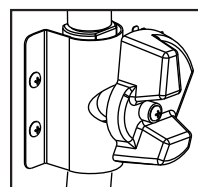
- Um Verletzungen von Personen oder Beschädigung des Eisbereiters zu verhindern, dürfen keine Reinigungsmittel auf Ammoniakbasis verwendet werden.
- Sorgfältig die Anweisungen auf den Flaschen der Reinigungs- und Desinfektionslösung befolgen.
- Stets Handschuhe und Schutzbrille tragen, die keine Flüssigkeiten durchlassen, damit Reinigungs- und Desinfektionsmittel nicht mit Haut oder Augen in Berührung kommen.
- Den Eisbereiter mit abgenommenen Blenden nicht unbeaufsichtigt lassen.
- Um eine Beschädigung der Wasserpumpendichtung zu vermeiden, den Steuerschalter nicht über längere Zeit in der Position „WASH“ lassen, wenn der Wassertank leer ist.

WICHTIG

- Das Reinigungsventil wird beim Reinigen und Desinfizieren geöffnet, damit die Lösung ins Innere des Verdampfers fließen kann. Für alle Eiszubereitungsvorgänge muss es jedoch geschlossen sein. Der Verdichter arbeitet nur dann, wenn dieses Ventil vollständig geschlossen ist.
- Zum Schließen des Reinigungsventils muss sich der Ventilgriff im rechten Winkel zum Ventilkörper befinden. Zum Öffnen des Reinigungsventils muss sich der Ventilgriff parallel zum Ventilkörper befinden.



GESCHLOSSEN
Eiszubereitung



OFFEN
Reinigung und Desinfektion
(lässt Lösung in den Verdampfer fließen)

Vorbereitung

- 1) Die Frontplatte entfernen und den Steuerschalter in die Position „OFF“ stellen. Nach 3 Minuten den Steuerschalter auf „ICE“ stellen und Frontplatte wieder anbringen.
- 2) Nach 3 Minuten die Frontplatte entfernen und den Steuerschalter auf „OFF“ stellen.
- 3) Alles Eis aus dem Eisvorratsbehälter entfernen. **WARNUNG! Bei einer Abgabeeinheit die Stromversorgung der Abgabeeinheit nach dem Abgeben des Eises ausschalten.**

Reinigung

- 4) Die vordere Isolationsblende entfernen und die Eiswürfelführung nach rechts schieben. Die Gummikappe und die Hülse vom Überlaufrohr entfernen. Siehe Abb. 6. Das Überlaufrohr abschrauben. Nach dem Entleeren des Wassertanks das Überlaufrohr wieder anschließen. Den Gummischlauch, die Überlaufkappe, die Eiswürfelführung und die vordere Isolationsblende wieder anbringen. **HINWEIS! Sicherstellen, dass der O-Ring an der Unterseite des Überlaufrohrs angebracht ist und das Überlaufrohr nicht schräg eingeschraubt ist.**
- 5) Zum füllen des Wassertanks den Steuerschalter auf „ICE“ stellen und Frontplatte wieder anbringen. Nach 3,5 Minuten die Frontplatte entfernen und den Steuerschalter auf „OFF“ stellen.
- 6) Die vordere Isolationsblende entfernen und 887 ml „Scale Away“ von Hoshizaki oder ein anderes von Hoshizaki empfohlenes Desinfektionsmittel wie angewiesen in den Wassertank gießen. Die vordere Isolationsblende wieder anbringen. Das Reinigungsventil nach links drehen, bis es vollständig vertikal (geöffnet) ist.
- 7) **HINWEIS! Vor dem Fortfahren 1 Minute warten, um übermäßiges Schäumen zu vermeiden.**
Nach 1 Minute den Steuerschalter auf „WASH“ stellen und die Frontplatte wieder anbringen.
- 8) Nach 30 Minuten die Frontplatte entfernen und den Steuerschalter auf „OFF“ stellen.
- 9) Die vordere Isolationsblende entfernen und die Eiswürfelführung nach rechts schieben. Den Gummischlauch und die Überlaufkappe vom Überlaufrohr entfernen. Das Überlaufrohr abschrauben. Nach dem Entleeren des Wassertanks das Überlaufrohr wieder anschließen. Den Gummischlauch, die Überlaufkappe, die Eiswürfelführung und die vordere Isolationsblende wieder anbringen.
- 10) Bei ungünstigen Wassereigenschaften die Stromversorgung ausschalten und entfernen, reinigen (Reinigungslösung = 40 ml „Scale Away“ von Hoshizaki pro Liter Warmwasser), spülen und die Eiswürfelführungen, den Schwimmschalter, die Wasserzulaufrohre, Sprührohre und Sprühführungen wieder anbringen; danach die Stromversorgung einschalten. Anderenfalls mit Schritt 11 fortfahren.

Reinigungsspülen

- 11) Das Reinigungsventil nach rechts drehen, bis es vollständig horizontal (geschlossen) ist. Den Steuerschalter auf „ICE“ stellen und die Frontplatte wieder anbringen. Nach 3,5 Minuten die Frontplatte entfernen und den Steuerschalter auf „OFF“ stellen. Hinweis: Der Eisbereiter arbeitet nur dann, wenn das Reinigungsventil vollständig geschlossen ist.
- 12) Das Reinigungsventil nach links drehen, bis es vollständig vertikal (geöffnet) ist. Den Steuerschalter auf „WASH“ stellen und die Frontplatte wieder anbringen. Nach 5 Minuten die Frontplatte entfernen und den Steuerschalter auf „OFF“ stellen.
- 13) Die vordere Isolationsblende entfernen und die Eiswürfelführung nach rechts schieben. Den Gummischlauch und die Überlaufkappe vom Überlaufrohr entfernen. Das Überlaufrohr abschrauben. Nach dem Entleeren des Wassertanks das Überlaufrohr wieder anschließen. Den Gummischlauch, die Überlaufkappe, die Eiswürfelführung und die vordere Isolationsblende wieder anbringen.

Desinfektion

- 14) Zum Füllen des Wassertanks das Reinigungsventil nach rechts drehen, bis es vollständig horizontal (geschlossen) ist. Den Steuerschalter auf „ICE“ stellen und die Frontplatte wieder anbringen. Nach 3,5 Minuten die Frontplatte entfernen und den Steuerschalter auf „OFF“ stellen.
- 15) Die vordere Isolationsblende entfernen und 50 ml einer 8,25%igen Natriumhypochloritlösung (Chlorbleiche) in den Wassertank gießen. Die vordere Isolationsblende wieder anbringen. Das Reinigungsventil nach links drehen, bis es vollständig vertikal (geöffnet) ist. **WICHTIG! Reguläres Bleichmittel ohne Zusätze verwenden. Das Verwenden von Bleichmitteln mit Zusätzen führt während der Desinfektion zu übermäßiger Schaumbildung und reduziert die Effektivität der Desinfektion.**
- 16) **HINWEIS! Vor dem Fortfahren 1 Minute warten, um übermäßiges Schäumen zu vermeiden.**
Nach 1 Minute den Steuerschalter auf „WASH“ stellen und die Frontplatte wieder anbringen.
- 17) Nach 45 Minuten die Frontplatte entfernen und den Steuerschalter auf „OFF“ stellen.
- 18) Die vordere Isolationsblende entfernen und die Eiswürfelführung nach rechts schieben. Den Gummischlauch und die Überlaufkappe vom Überlaufrohr entfernen. Das Überlaufrohr abschrauben. Nach dem Entleeren des Wassertanks das Überlaufrohr wieder anschließen. Den Gummischlauch, die Überlaufkappe, die Eiswürfelführung und die vordere Isolationsblende wieder anbringen.

Desinfektionsspülen 1

- 19) Das Reinigungsventil nach rechts drehen, bis es vollständig horizontal (geschlossen) ist. Den Steuerschalter auf „ICE“ stellen und die Frontplatte wieder anbringen. Nach 3,5 Minuten die Frontplatte entfernen und den Steuerschalter auf „OFF“ stellen.
- 20) Das Reinigungsventil nach links drehen, bis es vollständig vertikal (geöffnet) ist. Den Steuerschalter auf „WASH“ stellen und die Frontplatte wieder anbringen. Nach 5 Minuten die Frontplatte entfernen und den Steuerschalter auf „OFF“ stellen.
- 21) Die vordere Isolationsblende entfernen und die Eiswürfelführung nach rechts schieben. Die Gummikappe und die Hülse vom Überlaufrohr entfernen. Das Überlaufrohr abschrauben. Nach dem Entleeren des Wassertanks das Überlaufrohr wieder anschließen. Den Gummischlauch, die Überlaufkappe, die Eiswürfelführung und die vordere Isolationsblende wieder anbringen.

Desinfektionsspülen 2

- 22) Das Reinigungsventil nach rechts drehen, bis es vollständig horizontal (geschlossen) ist. Den Steuerschalter auf „ICE“ stellen und die Frontplatte wieder anbringen. Nach 3,5 Minuten die Frontplatte entfernen und den Steuerschalter auf „OFF“ stellen.
- 23) Das Reinigungsventil nach links drehen, bis es vollständig vertikal (geöffnet) ist. Den Steuerschalter auf „WASH“ stellen und die Frontplatte wieder anbringen. Nach 5 Minuten die Frontplatte entfernen und den Steuerschalter auf „OFF“ stellen.
- 24) Die vordere Isolationsblende entfernen und die Eiswürfelführung nach rechts schieben. Den Gummischlauch und die Überlaufkappe vom Überlaufrohr entfernen. Das Überlaufrohr abschrauben. Nach dem Entleeren des Wassertanks das Überlaufrohr wieder anschließen. Den Gummischlauch, die Überlaufkappe, die Eiswürfelführung und die vordere Isolationsblende wieder anbringen.

Desinfektionsspülen 3

- 25) Das Reinigungsventil nach rechts drehen, bis es vollständig horizontal (geschlossen) ist. Den Steuerschalter auf „ICE“ stellen und die Frontplatte wieder anbringen. Nach 3,5 Minuten die Frontplatte entfernen und den Steuerschalter auf „OFF“ stellen.
- 26) Das Reinigungsventil nach links drehen, bis es vollständig vertikal (geöffnet) ist. Den Steuerschalter auf „WASH“ stellen und die Frontplatte wieder anbringen. Nach 5 Minuten die Frontplatte entfernen und den Steuerschalter auf „OFF“ stellen.
- 27) Die vordere Isolationsblende entfernen und die Eiswürfelführung nach rechts schieben. Den Gummischlauch und die Überlaufkappe vom Überlaufrohr entfernen. Das Überlaufrohr abschrauben. Nach dem Entleeren des Wassertanks das Überlaufrohr wieder anschließen. Den Gummischlauch, die Überlaufkappe, die Eiswürfelführung und die vordere Isolationsblende wieder anbringen. **HINWEIS! Sicherstellen, dass der O-Ring an der Unterseite des Überlaufrohrs angebracht ist und das Überlaufrohr nicht schräg eingeschraubt ist.**
- 28) Die Auskleidung des Eisvorratsbehälters mit einem neutralen Reinigungsmittel reinigen. Nach dem Reinigen gründlich spülen.
- 29) Das Reinigungsventil nach rechts drehen, bis es vollständig horizontal (geschlossen) ist. Den Steuerschalter auf „ICE“ stellen. Hinweis: Bei einer Abgabeeinheit die Stromversorgung der Abgabeeinheit einschalten.
- 30) Alle Blenden wieder anbringen.

IV. Vorbereitung des Geräts bei längerem Nichtgebrauch

VORSICHT

- Wird der Eisbereiter längere Zeit eingelagert oder Temperaturen unter dem Gefrierpunkt ausgesetzt, sind folgende Anweisungen zu beachten, um eine Beschädigung zu vermeiden.
- Um eine Beschädigung der Wasserpumpendichtung zu vermeiden, den Steuerschalter nicht über längere Zeit in der Position „WASH“ lassen, wenn der Wassertank leer ist.

Wird der Eisbereiter unter normalen Bedingungen zwei oder drei Tage lang nicht benutzt, reicht es aus, den Steuerschalter auf „OFF“ zu stellen. Wird der Eisbereiter längere Zeit eingelagert oder Temperaturen unter dem Gefrierpunkt ausgesetzt, sind folgende Anweisungen zu beachten.

1. Das Wasser aus der Eisbereiter-Wasserzulaufleitung ablassen:

- 1) Die Stromversorgung ausschalten und die Frontplatte entfernen.
- 2) Den Steuerschalter auf „OFF“ stellen.
- 3) Das Wasserzulauf-Absperrventil des Eisbereiters schließen und dann das Wasserzulauf-Ablaufventil des Eisbereiters öffnen.
- 4) Die Leitung leert sich von selbst.
- 5) Eine Druckluft- oder Kohlendioxidzufuhr mit dem Wasserzulauf-Ablaufventil des Eisbereiters verbinden.
- 6) Den Steuerschalter auf „ICE“ stellen.
- 7) Die Frontplatte wieder anbringen und die Stromversorgung einschalten.
- 8) Die Eisbereiter-Wasserzulaufleitung mithilfe der Druckluft- oder Kohlendioxidzufuhr ausblasen.
- 9) Das Wasserzulauf-Ablaufventil des Eisbereiters schließen.

2. Den Wassertank entleeren:

- 1) Die Stromversorgung ausschalten und die Frontplatte entfernen. Den Steuerschalter auf „OFF“ stellen.
- 2) Die Isolationsblende entfernen.
- 3) Die Eiswürfelführung nach rechts schieben und den Gummischlauch und die Überlaufkappe vom Überlaufrohr entfernen. Siehe Abb. 16. Das Überlaufrohr abschrauben. Nach dem Entleeren des Wassertanks das Überlaufrohr wieder anschließen. Den Gummischlauch, die Überlaufkappe und die Eiswürfelführung wieder anbringen. **HINWEIS! Sicherstellen, dass der O-Ring an der Unterseite des Überlaufrohrs angebracht ist und das Überlaufrohr nicht schräg eingeschraubt ist.**
- 4) Die Isolationsblende wieder anbringen.
- 5) Alles Eis aus dem Vorratsbehälter entfernen. Den Vorratsbehälter mit einem neutralen Reinigungsmittel reinigen. Nach dem Reinigen gründlich spülen.
- 6) Die Frontplatte wieder anbringen.

V. GARANTIE

Hoshizaki garantiert dem Originalbesitzer/-benutzer, dass alle Markenprodukte von Hoshizaki für die Dauer der „Garantiezeit“ frei von Material- und/oder Verarbeitungsfehlern sind. Die Garantie gilt für zwei Jahre ab Datum der Installation.

Die Haftung von Hoshizaki nach diesen Garantiebedingungen ist begrenzt. Sie schließt Routinewartung und Reinigung sowie Wartungs- und/oder Reparaturarbeiten aus, die durch missbräuchliche Benutzung oder fehlerhafte Installation verursacht worden sind.

Garantiereparaturen sind von einem zugelassenen Hoshizaki-Händler oder -Kundendienst mit Hoshizaki-Originalbauteilen auszuführen.

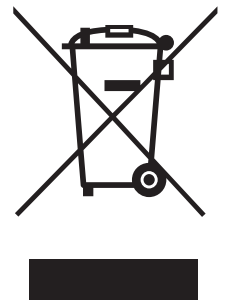
Für vollständige Informationen zur Gewährleistung und zugelassene Kundendienste wenden Sie sich bitte an Ihren Händler/Lieferanten oder den nächstgelegenen Hoshizaki-Kundendienst.

VI. ENTSORGUNG

Die gesetzlichen Bestimmungen zur Entsorgung dieses Gerätes und des enthaltenen Kältemittelgases. Vor dem Verschrotten des Gerätes die Tür abnehmen, um zu vermeiden, dass sich Kinder im Gerät versehentlich einschließen.

Richtige Entsorgung dieses Gerätes:

Dieses Kennzeichen bedeutet, dass dieses Gerät in der EU nicht mit dem normalen Haushaltsmüll entsorgt werden darf. Um Schäden der Umwelt oder der menschlichen Gesundheit durch unkontrollierte Müllbeseitigung zu vermeiden, recyceln Sie das Gerät und fördern Sie damit die nachhaltige Wiederverwertung von Ressourcen. Nutzen Sie die Rückgabe- und Sammelsysteme oder wenden Sie sich an den Händler, bei dem Sie das Gerät gekauft haben, um das gebrauchte Gerät zurückzugeben. Dort wird das Gerät der umweltfreundlichen Wiederverwertung zugeführt.



WARNUNG



Der für das Gehäuse verwendete Isolationsschaum enthält entflammbares Gas Cyclopentan. Dies sollte bei der Entsorgung des Produkts berücksichtigt werden.

BELANGRIJK

Lees deze handleiding zorgvuldig door alvorens de machine te installeren en in gebruik te nemen. Lees de waarschuwingen en richtlijnen in deze handleiding zorgvuldig door, aangezien deze essentiële informatie bieden voor een veilig gebruik en onderhoud van de machine op de lange termijn. Bewaar deze handleiding zodat u deze later, indien nodig, opnieuw kunt raadplegen.

Belangrijke veiligheidsinformatie

Overal in deze handleiding treft u opmerkingen aan die uw aandacht willen vestigen op situaties die zouden kunnen resulteren in overlijden, ernstig letsel, schade aan de machine of andere materiële schade.

⚠ WAARSCHUWING Geeft een gevaarlijke situatie aan die mogelijk kan resulteren in overlijden of ernstig letsel.

LET OP Geeft een situatie aan die mogelijk kan resulteren in schade aan de machine of andere materiële schade.

BELANGRIJK Geeft belangrijke informatie aan over de installatie, het gebruik en de verzorging van de machine.

VOORZICHTIG Geeft een gevaarlijke situatie aan die, als deze niet wordt vermeden, zou kunnen resulteren in licht of middelzwaar letsel.

WAARSCHUWING

Deze machine dient uitsluitend te worden gebruikt voor de toepassingen waarvoor deze is ontworpen. Enige andere vorm van gebruik wordt als ongeschikt en dus gevaarlijk beschouwd. De fabrikant kan niet aansprakelijk of verantwoordelijk worden gesteld voor enige schade die ontstaat door ongeschikt, incorrect en onredelijk gebruik. Het niet naleven van de instructies in deze handleiding met betrekking tot de installatie, de bediening en het onderhoud van deze machine heeft een nadelig effect op de veiligheid, prestaties, levensduur van onderdelen en garantiedekking en kan leiden tot kostbare waterschade.

Om het risico op overlijden, elektrische schokken, ernstig letsel of brand te beperken, moet u enkele algemene voorzorgsmaatregelen in acht nemen, waaronder de volgende:

- De installatie en het onderhoud van de machine dient door gekwalificeerde onderhoudsmonteurs te worden uitgevoerd.
- De machine moet worden geïnstalleerd volgens de nationaal, regionaal en lokaal geldende wet- en regelgeving.
- De elektrische aansluiting moet een vaste aansluiting zijn en voldoen aan alle nationaal, regionaal en lokaal geldende elektrotechnische voorschriften. Het niet naleven van deze voorschriften kan overlijden, elektrische schokken, ernstig letsel, brand of schade tot gevolg hebben.
- De ijsmachine heeft een onafhankelijke stroomvoorziening met afdoende capaciteit nodig. Zie de specificaties in deze handleiding. Het niet gebruiken van een onafhankelijke stroomvoorziening met afdoende capaciteit kan leiden tot activering van de afsluiter, doorgebrande zekeringen, schade aan bestaande bedradingen of defecte onderdelen. Dit kan weer leiden tot hittevorming of brand.
- **DEZE IJSMACHINE MOET WORDEN GEAARD.** Als de ijsmachine niet juist geaard is, kan dit overlijden of ernstig letsel tot gevolg hebben.
- Raak de bedieningsschakelaar niet met vochtige handen aan om het risico op een elektrische schok te beperken.
- Zet de bedieningsschakelaar op "OFF" en verwijder de stekker uit het stopcontact voordat u onderhoud pleegt. Voer een lockout-tagout uit om te voorkomen dat de stroomtoevoer onverhoeds wordt ingeschakeld.
- Breng geen veranderingen aan het apparaat aan. Dit kan leiden tot elektrische schokken, ernstig letsel, brand of schade.
- De machine is niet bedoeld voor gebruik door personen (inclusief kinderen) met verminderde fysieke, zintuiglijke of geestelijke capaciteiten, of een gebrek aan ervaring en kennis, tenzij dit gebeurt onder toezicht of na het verkrijgen van instructies met betrekking tot het gebruik van een persoon die verantwoordelijk is voor hun veiligheid.
- Kinderen moeten onder toezicht staan als ze in de buurt van het apparaat zijn.
- De machine is niet bedoeld om op te klimmen of aan te hangen. Sta kinderen of dieren niet toe dit te doen. Dit kan leiden tot ernstig letsel of schade aan de machine.
- Gebruik geen brandbaar sproeimiddel en sla geen vluchtige of ontvlambare stoffen op in de buurt van de machine. Deze kunnen vlam vatten.
- Houd de ruimte rond de machine schoon. Vuil, stof of insecten in de machine kunnen schadelijk zijn voor de gezondheid of tot schade aan de machine leiden.

LET OP

- Volg de instructies voor onderhoud en de aansluiting van watertoevoer- en waterafvoerleidingen nauwkeurig op om het risico op mogelijk kostbare waterschade te beperken.
- Installeer de ijsmachine op een locatie met vloerafvoer om eventuele waterschade te beperken.
- Installeer de ijsmachine op een locatie die niet onder het vriespunt komt. De normale omgevingstemperatuur bij gebruik moet tussen 7 °C en 38 °C liggen.
- Schakel de ijsmachine uit wanneer deze langere tijd niet wordt gebruikt of de omgevingstemperatuur onder het vriespunt komt. Volg de instructies in “IV. Het apparaat gereedmaken voor langdurige opslag” om de ijsmachine op de juiste wijze voor te bereiden op deze omstandigheden.
- Plaats geen voorwerpen op het apparaat.
- De dispenser/bunker is uitsluitend bestemd voor de opslag van ijs. Bewaar geen andere zaken in de dispenser/bunker.

I. Specificaties

A. Elektrische en koelmiddelgegevens

Elektrische en koelmiddelgegevens vindt u op het typeplaatje. Het plaatje bevindt zich op het linkerpaneel. Raadpleeg tevens het plaatje voor certificeringsmerktekens.

Wij behouden ons het recht voor om zonder voorafgaande kennisgeving wijzigingen aan te brengen in specificaties en ontwerp.

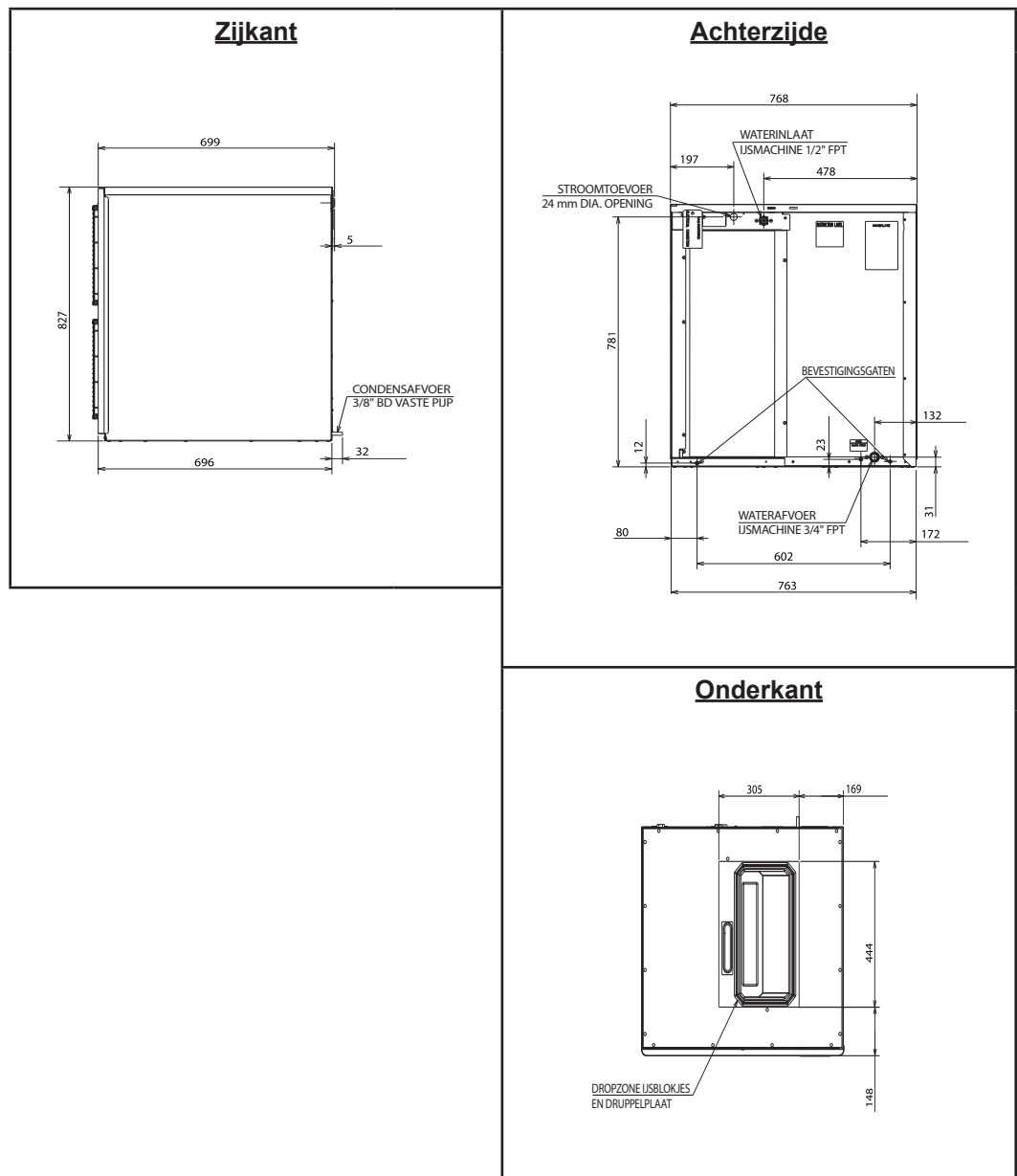
1. KM-470AJE-R452

Model	KM-470AJE-R452
Type	Luchtgekoeld, halvemaanvormige ijsblokjes
Stroomvoorziening	1 fase 220 - 240 V, 50 Hz
Vermogen	3,45 kVA (15,0 A)
Stroomverbruik	1850 W (OMG.TEMP.: 32 °C, WATERTEMP.: 21 °C)
IJsproductie per 24 uur	495 kg (OMG.TEMP.: 10 °C, WATERTEMP.: 10 °C)
Afmetingen	762 mm (B) x 695 mm (D) x 825 mm (H)
Koelmiddel	R452A 1,40 kg (GWP: 1945, CO ₂ : 2,723 t)
Schuimmiddel isolatieschuim	Cyclopentaan
Gewicht	Netto: 122 kg (Bruto: 136 kg)
Omgevingstemperatuur	7 - 38 °C
Watertemperatuur	7 - 32 °C
Waterdruk	0,07 - 0,78 MPa (0,7 - 7,8 bar)
Spanningsbereik	198 - 254 V

B. Afmetingen/Aansluitingen

1. KM-470AJE-R452

Eenheden: mm



LET OP

- KM-470AJE-R452: houd aan de achterkant, zijkanten en bovenkant een vrije ruimte van 30 cm. Dit waarborgt een optimale luchtcirculatie en vergemakkelijkt eventuele onderhouds- en/of reparatiewerkzaamheden.
- De opening van de bunker moet uitgelijnd zijn met de opening in de bodemplaat, zoals in de afbeelding getoond.

II. Aanwijzingen voor installatie en gebruik

⚠ WAARSCHUWING

- De machine moet worden geïnstalleerd volgens de nationaal, regionaal en lokaal geldende wet- en regelgeving.
- Het niet naleven van de instructies in deze handleiding met betrekking tot de installatie, de bediening en het onderhoud van deze machine heeft een nadelig effect op de veiligheid, prestaties, levensduur van onderdelen en garantiedekking en kan leiden tot kostbare waterschade.
- **VERSTIKKINGSGEVAAR:** zorg ervoor dat alle onderdelen, bevestigingen en duimschroeven stevig op hun plaats zitten nadat de machine geïnstalleerd is. Controleer of er geen onderdelen, bevestigingen of duimschroeven in de dispenser/ bunker zijn gevallen.

A. Locatie

VOORZICHTIG

- De ijsmachine is niet bestemd voor gebruik buitenshuis. De normale omgevingstemperatuur bij gebruik moet tussen 7 °C en 38 °C liggen en de watertemperatuur tussen 7 °C en 32 °C. Langdurig gebruik van de ijsmachine buiten deze temperatuurbereiken kan de prestaties van de ijsmachine nadelig beïnvloeden.
 - De ijsmachine werkt niet bij temperaturen onder het vriespunt. Voorkom schade aan de watertoevoerleiding door het water uit het systeem af te tappen zodra de luchttemperatuur onder 0 °C daalt. Zie "IV. Het apparaat gereedmaken voor langdurige opslag".
- De ijsmachine mag niet naast een oven, grill of ander apparaat dat veel warmte afgeeft worden geplaatst.
 - Houd aan de achterkant, zijkanten en bovenkant van de ijsmachine een vrije ruimte van 30 cm. Dit waarborgt een optimale luchtcirculatie en vergemakkelijkt eventuele onderhouds- en/of reparatiewerkzaamheden.
 - De ijsmachine moet waterpas op een stevige ondergrond worden geplaatst.

B. Controles vóór installatie

- Voer een visuele inspectie uit van de buitenkant van de verzendcontainer en meld eventuele schade onmiddellijk aan de vrachtvervoerder. Na het openen van de container dient tevens eventuele verborgen schade onmiddellijk aan de vrachtvervoerder te worden gemeld.
- Verwijder de verzendoos, de tape en de verpakkingsmaterialen. Als er verpakkingsmateriaal achterblijft in het apparaat, werkt deze niet goed.
- Raadpleeg het typeplaatje op het linkerpaneel en controleer of uw voltage overeenkomt met het voltage dat wordt aangegeven op het typeplaatje.
- Verwijder de panelen om schade te voorkomen tijdens het installeren van het apparaat. Zie "I.I.C. Panelen verwijderen."
- Verwijder het pakket met de accessoires.
- Verwijder de beschermende kunststoffilm van de panelen. Als het apparaat is blootgesteld aan de zon of aan hitte, verwijdert u de folie nadat het apparaat is afgekoeld.
- Controleer of de koelleidingen geen leidingen of andere oppervlakken raken en het ventilatorblad (indien van toepassing) vrij kan draaien.
- Controleer of de compressor stevig op alle montagevoetjes rust.
- Deze ijsmachine kan worden geïnstalleerd op een bunker met een breedte van 30" of meer. Bunkermodel B-210SA van Hoshizaki wordt aanbevolen. Neem voor andere opties contact op met uw lokale Hoshizaki-distributeur.

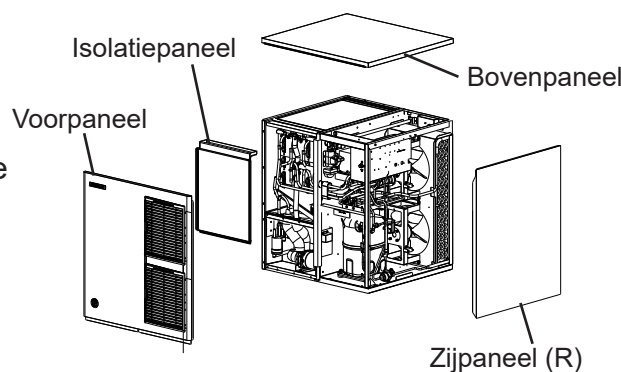
Modelnummer	Bunkerbreedte	Aanbevolen Hoshizaki-bunker
KM-470AJE-R452	30" of breder	B-210SA

Neem voor andere opties contact op met uw lokale Hoshizaki-distributeur.

C. Panelen verwijderen

Zie afb. 1

- Voorpaneel: verwijder de schroef. Til het paneel omhoog en trek het naar u toe.
- Bovenpaneel: til aan de voorkant een stukje omhoog, druk naar achteren en til het paneel van de machine.
- Rechter zijpaneel: verwijder de schroef. Schuif het paneel een stukje naar voren en til het van de machine.
- Isolatiepaneel: til het paneel een stukje omhoog en trek het naar u toe.



Afb. 1

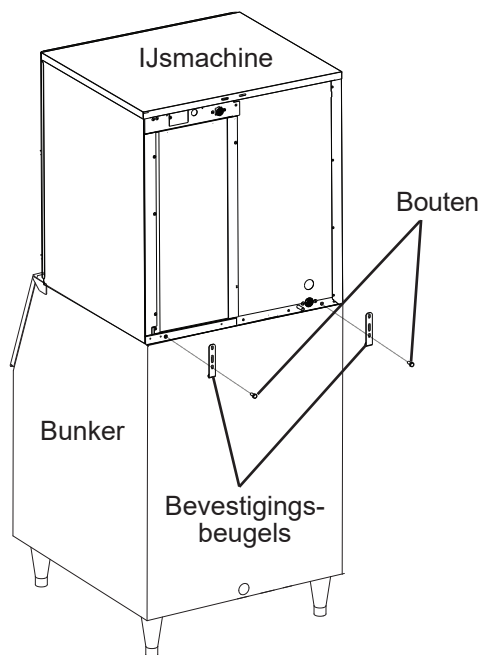
D. Instelling

1. Instelling van bunker en ijsmachine

⚠ WAARSCHUWING

De installateur moet ervoor zorg dragen dat de bunker compatibel is met de ijsmachine en dat de dispensereenheid/bunker en ijsmachine op de juiste wijze zijn bevestigd en vastgezet.

- 1) Haal de bunker uit de verpakking en bevestig de 4 meegeleverde stelvoetjes (bunkeraccessoire) op de onderkant van de bunker.
- 2) Plaats de bunker op zijn permanente locatie.
- 3) Plaats de ijsmachine boven op de bunker.
- 4) Bevestig de ijsmachine aan de bunker met behulp van de twee bevestigingsbeugels en de bouten die zijn meegeleverd. Zie afb. 2.
- 5) Zet de ijsmachine en bunker waterpas in zowel breedte- (van links naar rechts) als lengterichting (van voren naar achteren). Pas de stelvoetjes van de bunker aan zodat de ijsmachine waterpas staat.
- 6) Ijsmachine: plaats de panelen terug. Zie afb. 2.



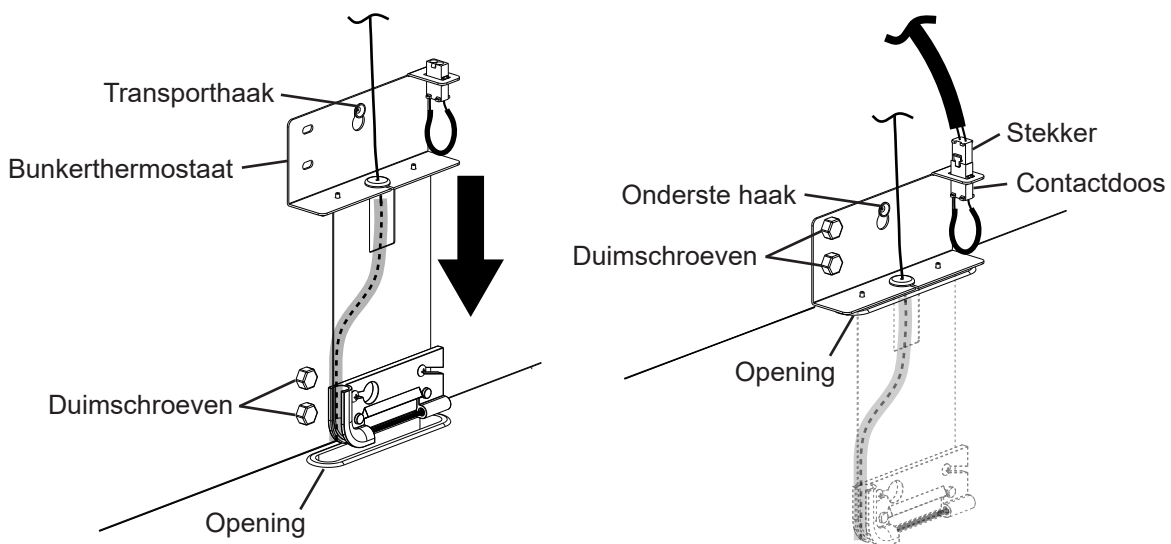
Afb. 2

2. Installatie bunkerschakelaar

VOORZICHTIG

Voordat u de ijsmachine gaat gebruiken, moet de bunkerschakelaar worden geïnstalleerd. Als deze niet op correcte wijze wordt geïnstalleerd, kan dit resulteren in achterblijvend ijs of schade aan de machine.

- 7) Installeer de bunkerthermostaat als volgt: Zie afb. 3.
 - a. Verwijder de bunkerthermostaat van de transporthaak.
 - b. Verwijder de 2 duimschroeven onder de bunkerthermostaat.
 - c. Laat de bunkerthermostaat naar beneden zakken door de opening in de bodem van de ijsmachine. Zet de bunkerthermostaat vast met de onderste haak en de 2 duimschroeven die u in de vorige stap hebt verwijderd.
 - d. Steek de stekker in het contact op de thermostaateenheid, zodat deze op zijn plaats klikt. **BELANGRIJK! De ijsmachine werkt alleen als de stekker in het contact zit.**
- 2) Plaats de panelen terug.



Afb. 3

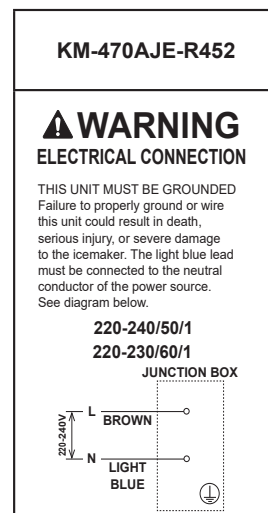
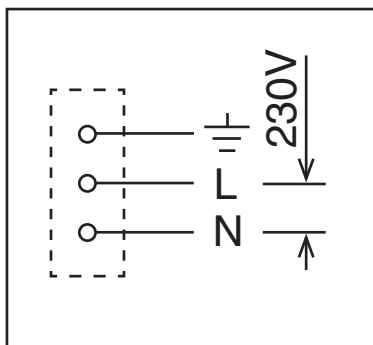
E. Elektrische aansluiting

⚠ WAARSCHUWING

Voor alle modellen

- De elektrische aansluiting moet een vaste aansluiting zijn en voldoen aan alle nationaal, regionaal en lokaal geldende elektrotechnische voorschriften. Het niet naleven van deze voorschriften kan overlijden, elektrische schokken, ernstig letsel, brand of schade tot gevolg hebben.
- De ijsmachine heeft een onafhankelijke stroomvoorziening met afdoende capaciteit nodig. Raadpleeg het typeplaatje voor de elektrische specificaties. Het niet gebruiken van een onafhankelijke stroomvoorziening met afdoende capaciteit kan leiden tot activering van de afsluiter, doorgebrande zekeringen, schade aan bestaande bedradingen of defecte onderdelen. Dit kan weer leiden tot hittevorming of brand.
- **DEZE IJSMACHINE MOET WORDEN GEAARD.** Als de ijsmachine niet juist geaard is, kan dit overlijden of ernstig letsel tot gevolg hebben.
- De elektrische aansluiting moet worden gemaakt volgens de instructies op het "WAARSCHUWING"-plaatje dat is meegeleverd met de pigtails in de aansluitdoos van het apparaat. Zie afb. 4.

- Normaalgesproken dient men te beschikken over de juiste vergunningen en/of de hulp in te roepen van een erkend elektricien.
- De maximaal toegestane spanningsverandering is ± 10 procent van de waarde die staat vermeld op het typeplaatje.
- **LET OP! De spanningsschakelaar op de hoofdtransformator van de KM-470AJE-R452 moet zijn afgesteld op het inkomende voltage bij opstarten.**
- De opening voor de aansluiting van de stroomvoorziening heeft een doorsnede van 7/8" voor de doorvoer van een standaard in de handel verkrijgbare leiding van 1/2".



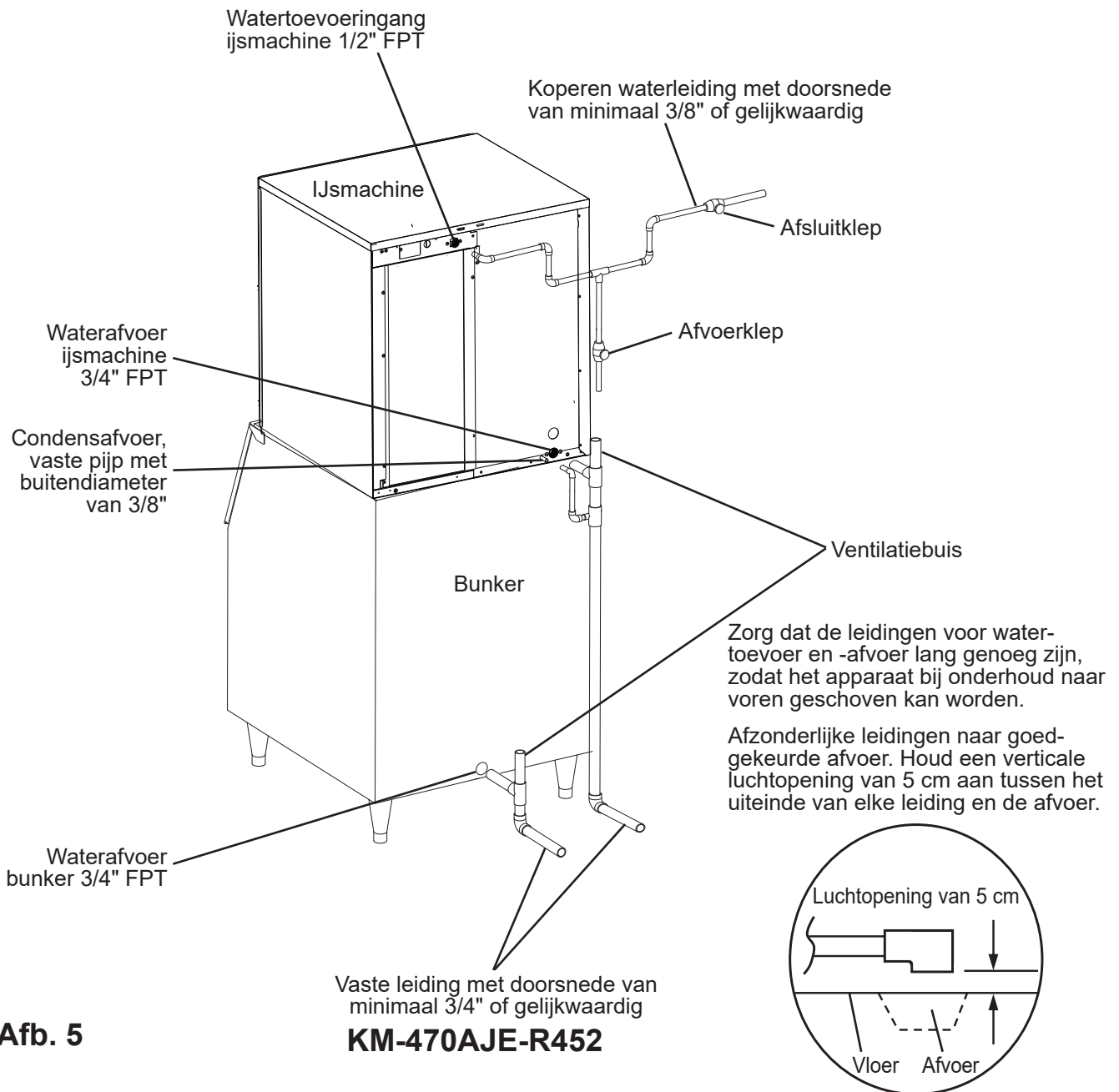
Afb. 4

F. Aansluiting van watertoevoer- en waterafvoerleidingen**Zie afb. 5.****⚠ WAARSCHUWING**

- De aansluitingen van watertoevoer- en afvoerleidingen moeten volgens de nationaal, regionaal en lokaal geldende wet- en regelgeving worden geïnstalleerd.
 - De normale watertemperatuur bij gebruik moet tussen 7 °C en 32 °C liggen. Langdurig gebruik van het apparaat buiten dit temperatuurbereik kan de prestaties nadelig beïnvloeden.
 - De watertoevoerdruk moet ten minste 0,07 MPa (0,7 bar) bedragen en mag niet hoger zijn dan 0,78 MPa (7,8 bar). Als de waterdruk hoger is dan 0,78 MPa (7,8 bar), moet gebruik worden gemaakt van een reduceerventiel.
 - Bedien het apparaat niet wanneer de watertoevoer is afgesloten of de waterdruk onder 0,07 MPa (0,7 bar) ligt om schade aan het apparaat te voorkomen. Zet het apparaat niet in werking voordat de juiste waterdruk is bereikt.
 - Afhankelijk van de waterkwaliteit kan een extern filter, een zeef of ontharder nodig zijn. Neem voor meer informatie contact op met uw lokale gecertificeerde servicevertegenwoordiger van Hoshizaki of uw lokale Hoshizaki-distributeur.
- In sommige gebieden kan een loodgietersvergunning of het inschakelen van een erkend loodgieter verplicht zijn.
 - De afvoerleiding van de ijsmachine, bunker en watergekoelde condensor (indien van toepassing) moeten onafhankelijk van elkaar fungeren. De afvoerleiding van de condensor kan worden aangesloten op de afvoerleiding van de ijsmachine of op zichzelf functioneren.
 - Voor een goede doorstroming moeten de horizontale delen van de afvoerleidingen een afloop hebben van 2 cm per 1 m. Daarnaast is een ontluchte T-verbinding vereist.
 - Afvoerleidingen mogen niet rechtstreeks op de riolering worden aangesloten. Houd een verticale luchtopening van minimaal 5 cm aan tussen het uiteinde van de afvoerleidingen van de ijsmachine en de condensor, bunker en watergekoelde condensor (indien van toepassing) en de vloerafvoer.

Watertoevoer- ingang	Minimale doorsnede watertoevoerleiding	Waterafvoer	Minimale doorsnede waterafvoerleiding	Condensafvoer
1/2" FTP (vrouwelijk binnendraad)	Koperen waterleiding met een doorsnede van minimaal 3/8" of gelijkwaardig	3/4" FTP (vrouwelijk binnendraad)	Vaste leiding met een doorsnede van minimaal 3/4" of gelijkwaardig	Vaste pijp met een buitendiameter van 3/8"

- Er moeten een afsluitklep en een afvoerklep op de waterleiding van de ijsmachine worden geïnstalleerd.
- Zorg dat de leidingen voor watertoevoer en -afvoer lang genoeg zijn, zodat het apparaat bij onderhoud naar voren geschoven kan worden.



Afb. 5

KM-470AJE-R452

G. Eindcontrole

⚠ WAARSCHUWING

VERSTIKKINGSGEVAAR: zorg ervoor dat alle onderdelen, bevestigingen en duimschroeven stevig op hun plaats zitten nadat de machine geïnstalleerd is. Controleer of er geen onderdelen, bevestigingen of duimschroeven in de dispenser/ bunker zijn gevallen.

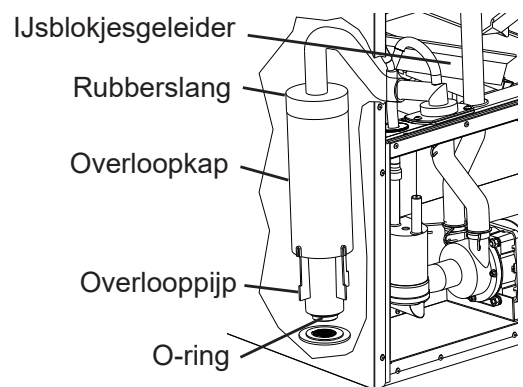
- 1) Staat de ijsmachine waterpas?
- 2) Staat de ijsmachine op een plek waar de omgevingstemperatuur het gehele jaar tussen 7 °C en 38 °C en de watertemperatuur tussen 7 °C en 32 °C ligt?
- 3) KM-470AJE-R452: is er minimaal 30 cm vrije ruimte aan de achterkant, zijkanten en bovenkant van de ijsmachine?
- 4) Is de ijsmachine ontdaan van de transportverpakking, tape en andere verpakkingsmaterialen? Zit de geleider voor de ijsblokjes op de juiste plaats? Zijn de watergeleiders tussen de verdampereenheden op correcte wijze aan hun houderklemmen bevestigd?
- 5) Zijn alle elektrische aansluitingen en waterleidingverbindingen aangebracht? Voldoen alle aansluitingen aan de nationaal, regionaal en lokaal geldende wet- en regelgeving?
- 6) Is de voedingsspanning gecontroleerd en komt die overeen met de gegevens op het typeplaatje? Is de ijsmachine op de juiste wijze geaard?
- 7) Hebben de leidingen van de watertoe- en afvoer het opgegeven formaat? Zijn de afsluitklep(pen) en afvoerklep(pen) in de waterleiding van de ijsmachine geïnstalleerd? Hebt u gecontroleerd of de watertoevoerdruk ten minste 0,07 MPa (0,7 bar) bedraagt en niet hoger is dan 0,78 MPa (7,8 bar)?
- 8) Rust de compressor stevig op alle montagevoetjes? Hebt u gecontroleerd of de koelleidingen geen andere leidingen of oppervlakken raken? Zijn de ventilatorbladen gecontroleerd om er zeker van te zijn dat ze vrijelijk kunnen bewegen?
- 9) Zijn alle onderdelen, bevestigingen en duimschroeven stevig op hun plaats bevestigd?
- 10) Heeft de eindgebruiker de instructiehandleiding ontvangen en is deze geïnstrueerd in het gebruik van het apparaat en op de hoogte gesteld van het belang van het aanbevolen periodieke onderhoud?
- 11) Heeft de eindgebruiker de contactinformatie ontvangen van een geautoriseerd servicebedrijf?

H. Opstarten

⚠ WAARSCHUWING

- Alle onderdelen zijn in de fabriek afgesteld. Verkeerd bijstellen kan de veiligheid, prestaties, levensduur van onderdelen en garantiedekking nadelig beïnvloeden.
- Om schade aan de compressor te voorkomen, dient u minstens 3 minuten te wachten met het opnieuw inschakelen van de ijsmachine nadat deze is uitgeschakeld.
- Is de waterbak leeg, laat de bedieningsschakelaar dan niet gedurende langere tijd in de stand "WASH" staan om schade aan de waterpompafdichting te voorkomen.
- Controleer bij het opstarten of alle interne en externe verbindingen lekvrij zijn.

- 1) Open de afsluitklep(pen) van de watertoevoerleiding.
- 2) Verwijder het voorpaneel.
- 3) Zet de bedieningsschakelaar op de besturingskast in de stand "ICE".
- 4) Plaats het voorpaneel terug.
- 5) Schakel de voeding in en laat de ijsmachine in totaal 10 minuten draaien.
- 6) Schakel de voeding uit en verwijder daarna het voorpaneel en het isolatiepaneel.
- 7) Schuif de ijsblokjesgeleider naar rechts en verwijder vervolgens de rubberkap en de mouw over de overlooppijp. Zie afb. 6. Draai de overlooppijp los. Laat de waterbak leeglopen en sluit de overlooppijp vervolgens weer aan. Plaats de rubberslang, overloopkap en ijsblokjesgeleider weer terug. **LET OP! Zorg ervoor dat de O-ring weer aan de onderkant van de overlooppijp is bevestigd en let erop dat u de pijp niet scheef indraait.**
- 8) Plaats het isolatiepaneel en het voorpaneel weer terug.
- 9) Reinig de dispenser/binnenzijde van de bunker met een neutraal reinigingsmiddel. Spoel na het reinigen grondig na.
- 10) Schakel de voeding in om de automatische ijsproductie te starten.
- 11) Houd een ijsblokje tegen de lamp aan terwijl de ijsmachine draait. De ijsmachine schakelt dan binnen 10 seconden uit. Aanpassingen zijn mogelijk nodig, vooral op hoger gelegen locaties.



Afb. 6

III. Onderhoud

De machine moet worden onderhouden in overeenstemming met de meegeleverde documentatie en labels. Neem contact op met uw lokale gecertificeerde servicevertegenwoordiger van Hoshizaki voor onderhoudsbeurten.

⚠ WAARSCHUWING

- Het onderhoud van de machine dient door gekwalificeerde onderhoudsmonteurs te worden uitgevoerd.
- Raak de bedieningsschakelaar niet met vochtige handen aan om het risico op een elektrische schok te beperken.
- Zet de bedieningsschakelaar op “OFF” en verwijder de stekker uit het stopcontact voordat u onderhoud pleegt. Voer een lockout-tagout uit om te voorkomen dat de stroomtoevoer onverhoeds wordt ingeschakeld.
- **VERSTIKKINGSGEVAAR:** zorg dat alle onderdelen, bevestigingen en schroeven stevig op hun plaats zitten nadat het apparaat is onderhouden. Controleer of er geen onderdelen, bevestigingen of duimschroeven in de dispenser/bunker zijn gevallen.

A. Onderhoudsschema

Het onderstaande onderhoudsschema is bedoeld als richtlijn. Mogelijk is frequenter onderhoud vereist, afhankelijk van de waterkwaliteit, de omgeving van het apparaat en de plaatselijke sanitaire voorschriften.

Onderhoudsschema		
Frequentie	Onderdeel	Taak
Dagelijks	Ijsschep	De ijsschep reinigen met een neutraal reinigingsmiddel. Spoel na het reinigen grondig na.
Tweewekelijks	Luchtfilters	Inspecteren. Indien vervuild, schoonmaken met warm water en een neutraal reinigingsmiddel.
Maandelijks	Externe waterfilters	Controleren op juiste druk en indien nodig vervangen.
	Buitenkant ijsmachine	Schoonvegen met een droge, zachte doek. Gebruik een vochtige doek met wat neutraal schoonmaakmiddel voor het verwijderen van olie en vuil. Eventuele chloorvlekken (roestkleurige plekken) verwijderen met een niet-schurend reinigingsmiddel.
	Onderkant van ijsmachine en topkits; bunkerdeur	Afnemen met een schone doek en warm water.
Jaarlijks	Ijsmachine en dispenser/bunker	Reinigen en ontsmetten volgens de reinigings- en ontsmettingsinstructies in deze handleiding. Zie “III. B. Aanwijzingen voor reiniging en ontsmetting”.
	Watertoevoer	De afsluitklep van de watertoevoerleiding van de ijsmachine sluiten en het watersysteem aftappen. Rooster van watertoevoeringang reinigen.
	Condensor	Inspecteren. Indien nodig, reinigen met een borstel of stofzuiger. Afhankelijk van de locatie van de ijsmachine moet de schoonmaakfrequentie eventueel worden aangepast.
	Waterslangen	Waterslangen inspecteren en indien nodig reinigen/vervangen.

B. Aanwijzingen voor reiniging en ontsmetting

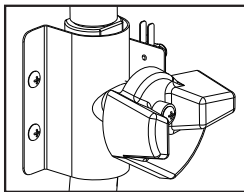
De ijsmachine moet minstens eenmaal per jaar worden gereinigd en ontsmet. Afhankelijk van de conditie van het water kan het nodig zijn om deze vaker te reinigen en ontsmetten.

⚠ WAARSCHUWING

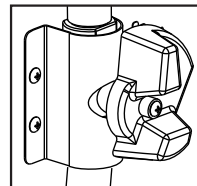
- Gebruik geen ammoniakhoudende middelen om letsel bij personen en schade aan de ijsmachine te voorkomen.
- Volg nauwkeurig de instructies op de flessen met reinigings- of ontsmettingsmiddel.
- Draag altijd handschoenen en een veiligheidsbril die tegen vloeistof zijn bestand om te voorkomen dat uw huid in contact komt met reinigings- en ontsmettingsmiddelen.
- Laat de ijsmachine niet onbeheerd achter als de panelen verwijderd zijn.
- Is de waterbak leeg, laat de bedieningsschakelaar dan niet gedurende langere tijd in de stand "WASH" staan om schade aan de waterpompafdichting te voorkomen.

BELANGRIJK

- Tijdens het reinigings- en ontsmettingsproces moet u de spoelklep openen om het reinigings- of ontsmettingsmiddel in de verdamper te laten stromen. Tijdens het gehele ijsproductieproces moet deze klep gesloten zijn. De compressor werkt niet tenzij deze klep volledig gesloten is.
- Als de hendel van de spoelklep in horizontale positie staat, is de klep dicht. Als de hendel van de spoelklep in verticale positie staat, is de klep open.



GESLOTEN
Tijdens ijsaanmaak



OPEN

Tijdens reinigen en ontsmetten (zorgt ervoor dat de reinigingsoplossing in de verdamper kan stromen)

Vorbereiding

- 1) Verwijder het voorpaneel en zet de bedieningsschakelaar vervolgens in de stand "OFF". Zet de bedieningsschakelaar na 3 minuten in de stand "ICE" en plaats het voorpaneel terug.
- 2) Verwijder na 3 minuten het voorpaneel en zet de bedieningsschakelaar vervolgens in de stand "OFF".
- 3) Verwijder alle ijs uit de bunker. **WAARSCHUWING! Indien een dispenser is geïnstalleerd, moet u de voeding van de dispenser uitschakelen, nadat u het ijs verwijderd hebt.**

Reiniging

- 4) Verwijder de voorisolatie en schuif vervolgens de ijsblokjesgeleider naar rechts. Verwijder de rubberkap en de mouw over de overlooppijp. Zie afb. 6. Draai de overlooppijp los. Laat de waterbak leeglopen en sluit de overlooppijp vervolgens weer aan. Plaats de rubberslang, overloopkap, ijsblokjesgeleider en voorisolatie weer terug. **LET OP! Zorg ervoor dat de O-ring weer aan de onderkant van de overlooppijp is bevestigd en let erop dat u de pijp niet scheef indraait.**
- 5) Om de watertank te vullen, zet u de bedieningsschakelaar in de stand "ICE". Plaats vervolgens het voorpaneel terug. Verwijder na 3,5 minuut het voorpaneel en zet de bedieningsschakelaar vervolgens in de stand "OFF".
- 6) Verwijder de voorisolatie en giet vervolgens 887 ml "Scale Away" van Hoshizaki of het andere aanbevolen reinigingsmiddel van Hoshizaki in de waterbak volgens de instructies. Plaats de voorisolatie weer terug. Draai de spoelklep naar links, tot deze volledig in verticale (open) stand staat.
- 7) **LET OP! Wacht 1 minuut alvorens u verdergaat, om overmatige schuimvorming te voorkomen.**
Zet de bedieningsschakelaar na 1 minuut in de stand "WASH" en plaats het voorpaneel terug.
- 8) Verwijder na 30 minuten het voorpaneel en zet de bedieningsschakelaar vervolgens in de stand "OFF".
- 9) Verwijder de voorisolatie en schuif vervolgens de ijsblokjesgeleider naar rechts. Verwijder de rubberslang en de kap over de overlooppijp. Draai de overlooppijp los. Laat de waterbak leeglopen en sluit de overlooppijp vervolgens weer aan. Plaats de rubberslang, overloopkap, ijsblokjesgeleider en voorisolatie weer terug.
- 10) Schakel bij slechte of extreme watercondities de stroomtoevoer uit, verwijder vervolgens de ijsblokjesgeleiders, vlotterschakelaar, watertoevoerleidingen, sproeibuizen en sproeigeleiders. Reinig de onderdelen (met een reinigungsoplossing van 40 ml Hoshizaki "Scale Away" per liter warm water), spoel na en plaats de onderdelen weer terug. Schakel vervolgens de stroomvoorziening weer in. Ga anders door met stap 11.

Reiniging naspoelen

- 11) Draai de spoelklep naar rechts, tot deze volledig in horizontale (gesloten) stand staat. Zet de bedieningsschakelaar in de stand "ICE" en plaats het voorpaneel terug. Verwijder na 3,5 minuut het voorpaneel en zet de bedieningsschakelaar vervolgens in de stand "OFF".
Opmerking: De compressor werkt niet tenzij de spoelklep volledig gesloten is.
- 12) Draai de spoelklep naar links, tot deze volledig in verticale (open) stand staat. Zet de bedieningsschakelaar in de stand "WASH" en plaats het voorpaneel terug. Verwijder na 5 minuten het voorpaneel en zet de bedieningsschakelaar vervolgens in de stand "OFF".
- 13) Verwijder de voorisolatie en schuif vervolgens de ijsblokjesgeleider naar rechts. Verwijder de rubberslang en de kap over de overlooppijp. Draai de overlooppijp los. Laat de waterbak leeglopen en sluit de overlooppijp vervolgens weer aan. Plaats de rubberslang, overloopkap, ijsblokjesgeleider en voorisolatie weer terug.

Ontsmetten

- 14) Om de waterbak te vullen, draait u de spoelklep naar rechts, tot deze volledig in horizontale (gesloten) stand staat. Zet de bedieningsschakelaar in de stand "ICE" en plaats het voorpaneel terug. Verwijder na 3,5 minuut het voorpaneel en zet de bedieningsschakelaar vervolgens in de stand "OFF".
- 15) Verwijder de voorisolatie en giet vervolgens 50 ml 8,25% natriumchlorietoplossing (chloorbleek) in de waterbak. Plaats de voorisolatie weer terug. Draai de spoelklep naar links, tot deze volledig in verticale (open) stand staat. **BELANGRIJK! Gebruik een normaal bleekmiddel zonder toevoegingen. Bij gebruik van bleekmiddel met toevoegingen kan overmatige schuimvorming optreden, waardoor de ontsmettingseffectiviteit afneemt.**
- 16) **LET OP! Wacht 1 minuut alvorens u verdergaat, om overmatige schuimvorming te voorkomen.**
Zet de bedieningsschakelaar na 1 minuut in de stand "WASH" en plaats het voorpaneel terug.
- 17) Verwijder na 45 minuten het voorpaneel en zet de bedieningsschakelaar vervolgens in de stand "OFF".
- 18) Verwijder de voorisolatie en schuif vervolgens de ijsblokjesgeleider naar rechts. Verwijder de rubberslang en de kap over de overlooppijp. Draai de overlooppijp los. Laat de waterbak leeglopen en sluit de overlooppijp vervolgens weer aan. Plaats de rubberslang, overloopkap, ijsblokjesgeleider en voorisolatie weer terug.

Ontsmetting naspoelen 1

- 19) Draai de spoelklep naar rechts, tot deze volledig in horizontale (gesloten) stand staat. Zet de bedieningsschakelaar in de stand "ICE" en plaats het voorpaneel terug. Verwijder na 3,5 minuut het voorpaneel en zet de bedieningsschakelaar vervolgens in de stand "OFF".
- 20) Draai de spoelklep naar links, tot deze volledig in verticale (open) stand staat. Zet de bedieningsschakelaar in de stand "WASH" en plaats het voorpaneel terug. Verwijder na 5 minuten het voorpaneel en zet de bedieningsschakelaar vervolgens in de stand "OFF".
- 21) Verwijder de voorisolatie en schuif vervolgens de ijsblokjesgeleider naar rechts. Verwijder de rubberkap en de mouw over de overlooppijp. Draai de overlooppijp los. Laat de waterbak leeglopen en sluit de overlooppijp vervolgens weer aan. Plaats de rubberslang, overloopkap, ijsblokjesgeleider en voorisolatie weer terug.

Ontsmetting naspoelen 2

- 22) Draai de spoelklep naar rechts, tot deze volledig in horizontale (gesloten) stand staat. Zet de bedieningsschakelaar in de stand "ICE" en plaats het voorpaneel terug. Verwijder na 3,5 minuut het voorpaneel en zet de bedieningsschakelaar vervolgens in de stand "OFF".
- 23) Draai de spoelklep naar links, tot deze volledig in verticale (open) stand staat. Zet de bedieningsschakelaar in de stand "WASH" en plaats het voorpaneel terug. Verwijder na 5 minuten het voorpaneel en zet de bedieningsschakelaar vervolgens in de stand "OFF".
- 24) Verwijder de voorisolatie en schuif vervolgens de ijsblokjesgeleider naar rechts. Verwijder de rubberslang en de kap over de overlooppijp. Draai de overlooppijp los. Laat de waterbak leeglopen en sluit de overlooppijp vervolgens weer aan. Plaats de rubberslang, overloopkap, ijsblokjesgeleider en voorisolatie weer terug.

Ontsmetting naspoelen 3

- 25) Draai de spoelklep naar rechts, tot deze volledig in horizontale (gesloten) stand staat. Zet de bedieningsschakelaar in de stand "ICE" en plaats het voorpaneel terug. Verwijder na 3,5 minuut het voorpaneel en zet de bedieningsschakelaar vervolgens in de stand "OFF".
- 26) Draai de spoelklep naar links, tot deze volledig in verticale (open) stand staat. Zet de bedieningsschakelaar in de stand "WASH" en plaats het voorpaneel terug. Verwijder na 5 minuten het voorpaneel en zet de bedieningsschakelaar vervolgens in de stand "OFF".
- 27) Verwijder de voorisolatie en schuif vervolgens de ijsblokjesgeleider naar rechts. Verwijder de rubberslang en de kap over de overlooppijp. Draai de overlooppijp los. Laat de waterbak leeglopen en sluit de overlooppijp vervolgens weer aan. Plaats de rubberslang, overloopkap, ijsblokjesgeleider en voorisolatie weer terug. **LET OP! Zorg ervoor dat de O-ring weer aan de onderkant van de overlooppijp is bevestigd en let erop dat u de pijp niet scheef indraait.**
- 28) Reinig de binnenzijde van de bunker met een neutraal reinigingsmiddel. Spoel na het reinigen grondig na.
- 29) Draai de spoelklep naar rechts, tot deze volledig in horizontale (gesloten) stand staat. Zet de bedieningsschakelaar in de stand "ICE". Opmerking: Indien een dispenser geïnstalleerd is, schakelt u de voeding van de dispenser weer in.
- 30) Plaats alle panelen terug.

IV. Het apparaat gereedmaken voor langdurige opslag

VOORZICHTIG

- Wanneer u de ijsmachine gedurende langere tijd of bij temperaturen beneden het nulpunt wilt opslaan, volgt u de onderstaande instructies om schade te voorkomen.
- Is de waterbak leeg, laat de bedieningsschakelaar dan niet gedurende langere tijd in de stand "WASH" staan om schade aan de waterpompafdichting te voorkomen.

Als de ijsmachine twee of drie dagen niet wordt gebruikt onder normale omstandigheden, is het voldoende om de bedieningsschakelaar in de stand "OFF" te zetten. Wanneer u de ijsmachine gedurende langere tijd of bij temperaturen beneden het nulpunt wilt opslaan, volgt u de onderstaande instructies.

1. Verwijder het water uit de watertoevoerleiding van de ijsmachine:

- 1) Schakel de voeding uit en verwijder daarna het voorpaneel.
- 2) Zet de bedieningsschakelaar in de stand "OFF".
- 3) Sluit de afsluitklep van de watertoevoerleiding van de ijsmachine en open vervolgens de afvoerklep van de watertoevoerleiding van de ijsmachine.
- 4) Maak gebruik van de zwaartekracht om de leiding leeg te laten lopen.
- 5) Sluit een perslucht- of koolstofdioxideslang aan op de afvoerklep van de watertoevoerleiding van de ijsmachine.
- 6) Zet de bedieningsschakelaar in de stand "ICE".
- 7) Plaats het voorpaneel weer op zijn plek en schakel de voeding in.
- 8) Blaas de watertoevoerleiding van de ijsmachine uit met behulp van de perslucht of koolstofdioxide.
- 9) Sluit de afsluitklep van de watertoevoerleiding van de ijsmachine.

2. Laat de waterbak leeglopen:

- 1) Schakel de voeding uit en verwijder daarna het voorpaneel. Zet de bedieningsschakelaar in de stand "OFF".
- 2) Verwijder het isolatiepaneel.
- 3) Schuif de ijsblokjesgeleider naar rechts en verwijder vervolgens de rubberslang en de kap over de overlooppijp. Zie afb. 16. Draai de overlooppijp los. Laat de waterbak leeglopen en sluit de overlooppijp vervolgens weer aan. Plaats de rubberslang, overloopkap en ijsblokjesgeleider weer terug. **LET OP! Zorg ervoor dat de O-ring weer aan de onderkant van de overlooppijp is bevestigd en let erop dat u de pijp niet scheef indraait.**
- 4) Plaats het isolatiepaneel terug.
- 5) Verwijder alle ijs uit de bunker. Reinig de bunker met een neutraal reinigingsmiddel. Spoel na het reinigen grondig na.
- 6) Plaats het voorpaneel terug.

V. GARANTIE

Hoshizaki garandeert de oorspronkelijke eigenaar/gebruiker dat alle producten van het merk Hoshizaki vrij zijn van materiaal- en/of productiefouten voor de duur van de “garantieperiode”. De garantie is twee jaar geldig gerekend vanaf de installatiedatum.

De aansprakelijkheid van Hoshizaki in het kader van de garantie is beperkt en omvat geen routineonderhoud, reiniging, essentieel onderhoud en/of reparaties ten gevolge van onjuist gebruik en installaties die niet volgens de richtlijnen van Hoshizaki zijn uitgevoerd.

Reparaties in het kader van de garantie moeten worden uitgevoerd door een goedgekeurde Hoshizaki-dealer of serviceorganisatie met behulp van authentieke Hoshizaki-onderdelen.

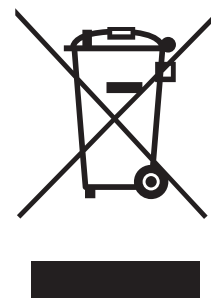
Voor volledige informatie over uw garantie en over goedgekeurde servicebedrijven, raadpleegt u uw dealer/leverancier of de dichtstbijzijnde vestiging van Hoshizaki.

VI. VERWIJDERING

Houd u aan de lokale voorschriften met betrekking tot de verwijdering van het apparaat en zijn koelmiddelgas. Verwijder voordat u het apparaat afvoert de klep, om te voorkomen dat kinderen beklemd kunnen raken.

Juiste verwijdering van dit product:

Deze markering geeft aan dat dit product binnen de EU niet samen met ander huishoudelijk afval mag worden afgevoerd. Teneinde mogelijke milieuschade of schade aan de menselijke gezondheid ten gevolge van ongecontroleerde afvoer van afvalstoffen te vermijden, dient u het apparaat op verantwoorde wijze te recyclen om het duurzame hergebruik van materialen mogelijk te maken. U kunt uw gebruikte apparaat terugsturen via de bestaande systemen voor retournering en inzameling, of u kunt contact opnemen met de detailhandelaar waar het product is aangeschaft. Zij kunnen dit product innemen voor milieuveilige recycling.



WAARSCHUWING



Het schuimmiddel dat wordt gebruikt voor isolatie van het apparaat bevat het ontvlambare gas cyclopentaan. Houd dit in het achterhoofd om het apparaat correct te af te voeren.

IMPORTANTE

Este manual debe leerse detenidamente antes de instalar y utilizar el aparato. Lea atentamente las advertencias y directrices contenidas en este manual, ya que ofrecen información esencial para el uso y el mantenimiento continuo y seguro del aparato. Conserve este manual para cualquier futura consulta que pueda ser necesaria.

Información importante de seguridad

A lo largo de este manual aparecerán avisos para llamar su atención sobre situaciones que podrían tener como consecuencia lesiones graves o mortales, daños en el aparato o daños materiales.

⚠ ADVERTENCIA Indica una situación peligrosa que podría tener como resultado la muerte o heridas graves.

AVISO Indica una situación que podría provocar daños en el aparato o daños materiales.

IMPORTANTE Indica información importante acerca de la instalación, uso y cuidado del aparato.

ATENCIÓN Indica una situación peligrosa que, de no evitarse, podría tener como resultado heridas leves o moderadas.

⚠ ADVERTENCIA

El aparato debe destinarse únicamente al uso para el que ha sido expresamente concebido. Cualquier otra utilización deberá considerarse inadecuada y, por lo tanto, potencialmente peligrosa. El fabricante no se hace responsable de las lesiones o daños derivados de un uso inadecuado, incorrecto y no razonable. Si no se instala, maneja y mantiene el aparato de acuerdo con este manual, la seguridad, el rendimiento, la vida útil de los componentes y la cobertura de la garantía se verán afectados y pueden producirse costosos daños causados por el agua.

Para reducir el riesgo de muerte, de descarga eléctrica, de lesiones graves o de incendio, siga las precauciones básicas que se indican a continuación:

- La instalación y el mantenimiento del aparato deben realizarlos únicamente técnicos de servicio cualificados.
- El aparato debe instalarse siguiendo las indicaciones de las normativas y reglamentos nacionales, estatales y locales aplicables.
- La conexión eléctrica debe estar cableada y debe cumplir con la normativa eléctrica nacional, estatal y local. El incumplimiento de estas normativas podría provocar la muerte, descargas eléctricas, lesiones graves, incendios o daños.
- La máquina de hielo requiere una fuente de alimentación independiente con la capacidad adecuada. Consulte las especificaciones de este manual. Si no se utiliza una fuente de alimentación independiente con la capacidad adecuada, el disyuntor puede saltar, el fusible puede fundirse, pueden producirse daños en el cableado existente o fallos en los componentes. Esto podría generar calor o un incendio.
- **LA MÁQUINA DE HIELO DEBE ESTAR CONECTADA A TIERRA.** Si la máquina de hielo no se conecta correctamente a tierra, podría sufrir lesiones graves o mortales.
- Para reducir el riesgo de descarga eléctrica, no toque el interruptor de control con las manos húmedas.
- Mueva el interruptor de control a la posición "OFF" y desactive el equipo antes de repararlo. Realice un procedimiento de bloqueo y etiquetado (LOTO, por sus siglas en inglés) para evitar que la fuente de alimentación vuelva a activarse inadvertidamente.
- No realice ninguna modificación en el aparato. Las alteraciones podrían provocar descargas eléctricas, lesiones graves, incendios o daños.
- El equipo no está diseñado para su uso por personas (incluidos los niños) con capacidades físicas, sensoriales o mentales reducidas, o bien, que carecen de experiencia o conocimientos adecuados, a menos que la persona responsable de su seguridad les supervise o proporcione instrucciones acerca del uso del equipo.
- Vigile adecuadamente a los niños cuando se encuentren alrededor del aparato.
- No se suba, ni se ponga encima, ni se cuelgue del aparato, ni permita que los niños o los animales lo hagan. Podrían producirse lesiones graves o el aparato podría resultar dañado.
- No use pulverizadores de líquidos combustibles ni coloque sustancias volátiles o inflamables cerca del aparato. Podrían incendiarse.
- Mantenga limpia la zona de alrededor del aparato. Si penetran suciedad, polvo o insectos en el aparato podrían causar daños personales o materiales.

AVISO

- Siga cuidadosamente las instrucciones de suministro de agua, conexión del drenaje y mantenimiento para reducir el riesgo de costosos daños causados por el agua.
- En zonas donde los daños causados por el agua pueden suponer un problema, instale el equipo en una zona cerrada y con un drenaje del suelo.
- Instale la máquina de hielo en un lugar que se mantenga por encima del punto de congelación. La temperatura ambiente de trabajo normal debe situarse entre 7 °C y 38 °C.
- No deje la máquina de hielo encendida durante periodos prolongados sin uso, ausencias prolongadas o en temperaturas inferiores al punto de congelación del agua. Para preparar adecuadamente la máquina de hielo para estas ocasiones, siga las instrucciones de la sección “IV. Preparación del aparato para períodos de inactividad”.
- No coloque objetos encima del aparato.
- La unidad dispensadora/cubeta de almacenamiento de hielo solo puede utilizarse para el hielo. No guarde nada más en la unidad dispensadora/cubeta de almacenamiento de hielo.

I. Especificaciones

A. Datos eléctricos y del refrigerante

En la placa de características pueden consultarse los datos eléctricos y del refrigerante. La placa de características se encuentra en la tapa izquierda. Para ver las marcas de certificación, consulte la placa de características.

Nos reservamos el derecho de modificar las especificaciones y el diseño sin previo aviso.

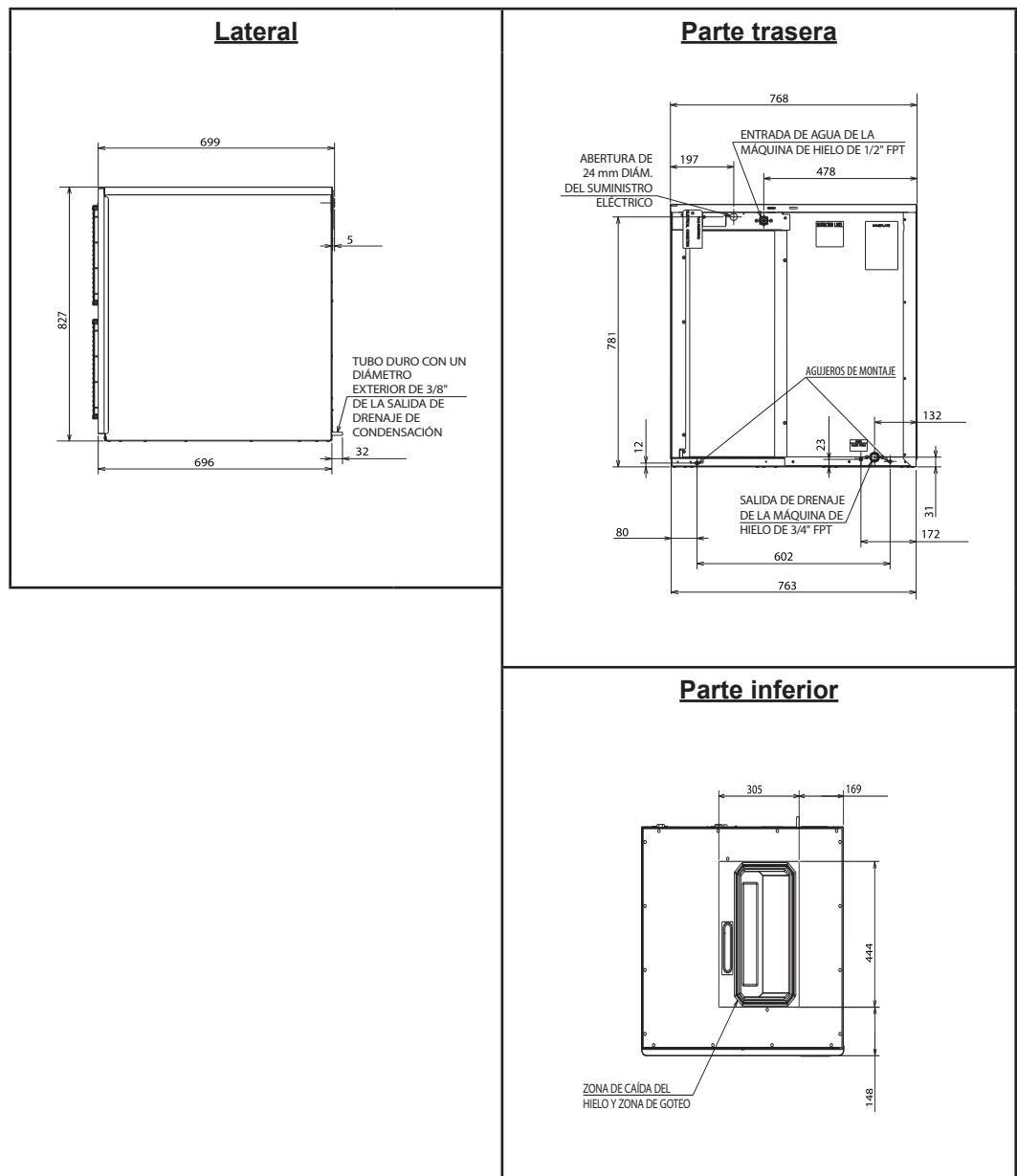
1. KM-470AJE-R452

Modelo	KM-470AJE-R452
Tipo	Refrigerado por aire, cubitos en forma de media luna
Alimentación	1 fase 220 - 240 V 50 Hz
Capacidad de alimentación eléctrica	3,45 kVA (15,0 A)
Consumo eléctrico	1850 W (temp. ambiente: 32 °C, temp. agua: 21 °C)
Producción de hielo en 24 h	495 kg (temp. ambiente: 10 °C, temp. agua: 10 °C)
Dimensiones	762 mm (Anch.) x 695 mm (Prof.) x 825 mm (Alt.)
Refrigerante	R452A 1,40 kg (PCG: 1945, CO ₂ : 2.723 t)
Agente espumante para aislamiento	Ciclopentano
Peso	Peso neto: 122 kg (peso total: 136 kg)
Temp. ambiente	7 - 38 °C
Temperatura del agua	7 - 32 °C
Presión del agua	0,07 - 0,78 MPa (0,7 - 7,8 bar)
Intervalo de voltaje	198 - 254 V

B. Dimensiones/Conexiones

1. KM-470AJE-R452

Unidades: mm



AVISO

- KM-470AJE-R452: deje un espacio de 30 cm en la parte posterior, los laterales y la parte superior para permitir la circulación de aire y facilitar las operaciones de reparación y/o mantenimiento que sean necesarias.
- La abertura de la cubeta de almacenamiento de hielo debe coincidir con la abertura inferior, como en la ilustración.

II. Instrucciones de instalación y funcionamiento

⚠ ADVERTENCIA

- El aparato debe instalarse siguiendo las indicaciones de las normativas y reglamentos nacionales, estatales y locales aplicables.
- Si no se instala, maneja y mantiene el aparato de acuerdo con este manual, la seguridad, el rendimiento, la vida útil de los componentes y la cobertura de la garantía se verán afectados y pueden producirse costosos daños causados por el agua.
- **RIESGO DE ASFIXIA:** compruebe que todos los componentes, remaches y tornillos de mariposa estén bien colocados después de la instalación. Compruebe que no haya caído ninguno en la unidad dispensadora/cubeta de almacenamiento de hielo.

A. Ubicación

ATENCIÓN

- La máquina de hielo no está diseñada para uso en el exterior. La temperatura ambiente de trabajo normal debe situarse entre 7 °C y 38 °C; la temperatura de trabajo normal del agua debe situarse entre 7 °C y 32 °C. La utilización de la máquina de hielo fuera de estos márgenes de temperatura normales por periodos prolongados puede afectar la capacidad de producción de la máquina de hielo.
- La máquina de hielo no funciona a temperaturas inferiores al punto de congelación del agua. Para prevenir averías en la tubería de suministro de agua, drene la máquina de hielo si prevé que la temperatura del aire bajará de los 0 °C. Consulte "IV. Preparación del aparato para períodos de inactividad".

- La máquina de hielo no debe colocarse cerca de hornos, parrillas u otras fuentes de calor.
- En esta máquina de hielo, deje un espacio de 30 cm en la parte posterior, los laterales y la parte superior para permitir la circulación de aire y facilitar las operaciones de reparación y/o mantenimiento que sean necesarias.
- El aparato debe ubicarse sobre una base firme y nivelada.

B. Comprobaciones previas a la instalación

- Inspeccione visualmente el exterior del contenedor para transporte e informe inmediatamente al transportista de cualquier daño. Al abrir el contenedor, cualquier daño oculto también debe comunicarse inmediatamente al transportista.
- Retire el cartón, la cinta y el material de embalaje. El aparato no funcionará correctamente si no se retiran estos elementos.
- Observe la placa de características en la tapa izquierda y compruebe que el voltaje de alimentación coincide con el que se especifica en la misma.
- Retire las tapas para evitar daños al instalar el aparato. Consulte la sección "II.C. Cómo retirar las tapas".
- Retire el embalaje que contiene los accesorios.
- Retire de las tapas la película protectora de plástico. Si el aparato está expuesto al sol o al calor, quítele la película una vez que se haya enfriado.
- Compruebe que los conductos de refrigerante no rozan ni tocan las tuberías u otras superficies y que la pala del ventilador (en su caso) gira libremente.
- Compruebe que el compresor quede ajustado en todos los soportes de montaje.
- La máquina de hielo puede instalarse en una cubeta de almacenamiento con una anchura mínima de 30". Se recomienda utilizar las cubetas de almacenamiento de hielo de Hoshizaki, modelo B-210SA. Para conocer más opciones, póngase en contacto con su distribuidor local de Hoshizaki.

Número de modelo	Anchura de la cubeta	Cubeta de almacenamiento de hielo de Hoshizaki recomendada
KM-470AJE-R452	30" o más ancha	B-210SA

Para conocer más opciones, póngase en contacto con su distribuidor local de Hoshizaki.

C. Cómo retirar las tapas

Consulte la Fig. 1

- Tapa delantera: retire el tornillo. Levántela y tire hacia usted.
- Tapa superior: levante ligeramente la parte delantera, empuje hacia atrás y retírela.
- Tapa lateral derecha: retire el tornillo. Deslícela ligeramente hacia delante y levántela.
- Tapa de aislamiento: levántela ligeramente y tire hacia usted.

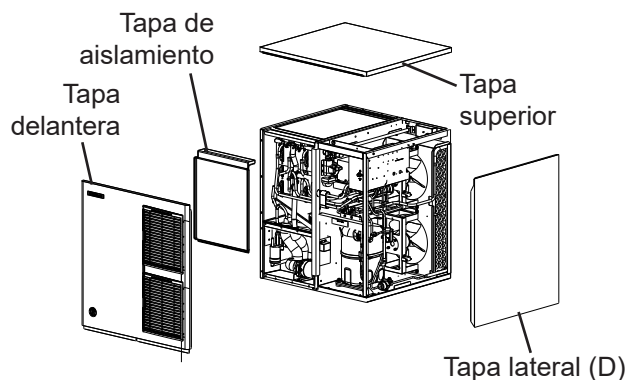


Fig. 1

D. Instalación

1. Instalación de la cubeta de almacenamiento de hielo y de la máquina de hielo

⚠ ADVERTENCIA

El instalador debe asegurarse de que la cubeta de almacenamiento de hielo sea compatible con la máquina de hielo y que la unidad dispensadora/cubeta de almacenamiento de hielo y la máquina de hielo estén correctamente conectadas y fijadas.

- 1) Desembale la cubeta de almacenamiento de hielo y fije las 4 patas regulables suministradas (accesorio de la cubeta) en la parte inferior de la cubeta de almacenamiento de hielo.
- 2) Coloque la cubeta de almacenamiento de hielo en la ubicación elegida para la misma.
- 3) Coloque la máquina de hielo encima de la cubeta de almacenamiento.
- 4) Fije la máquina de hielo a la cubeta de almacenamiento mediante los 2 soportes de montaje y los pernos que se suministran. Consulte la Fig. 2.
- 5) Nivele la máquina de hielo y la cubeta de almacenamiento en ambos sentidos: de izquierda a derecha y de adelante hacia atrás. Ajuste las patas de la cubeta de almacenamiento para que la máquina de hielo quede nivelada.
- 6) Máquina de hielo: monte de nuevo las tapas en sus posiciones correctas. Consulte la Fig. 2.

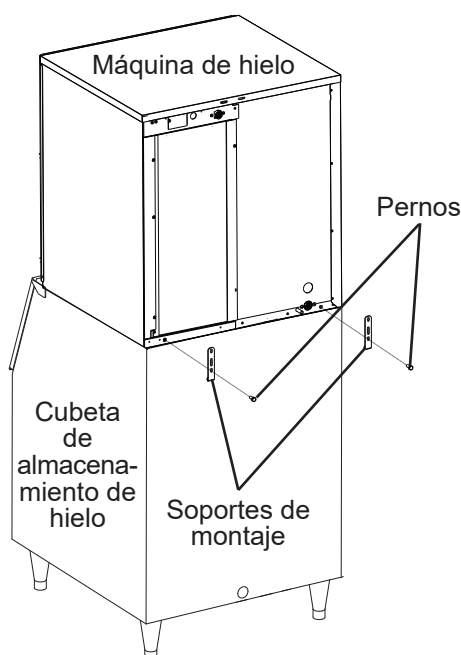


Fig. 2

2. Instalación del control de la cubeta

ATENCIÓN

Antes de hacer funcionar la máquina de hielo, el control de la cubeta debe estar instalado. Si el control de la cubeta no se instala correctamente, podría producirse una acumulación de hielo y daños en la máquina de hielo.

- 7) Instale el conjunto del termostato de control de la cubeta de la forma indicada a continuación. Consulte la Fig. 3.
 - a. Retire el conjunto del termostato de control de la cubeta del gancho de transporte.
 - b. Retire los 2 tornillos de mariposa debajo del conjunto del termostato de control de la cubeta.
 - c. Baje el conjunto del termostato de control de la cubeta a través del orificio situado en la parte inferior de la máquina de hielo. Fije el conjunto del termostato de control de la cubeta con el gancho inferior y los 2 tornillos de mariposa que retiró en el paso anterior.
 - d. Inserte el enchufe en el receptáculo del conjunto hasta que encaje en su lugar.

¡IMPORTANTE! El enchufe debe insertarse en el receptáculo para que la máquina de hielo funcione.
- 2) Vuelva a montar las tapas en sus posiciones correctas.

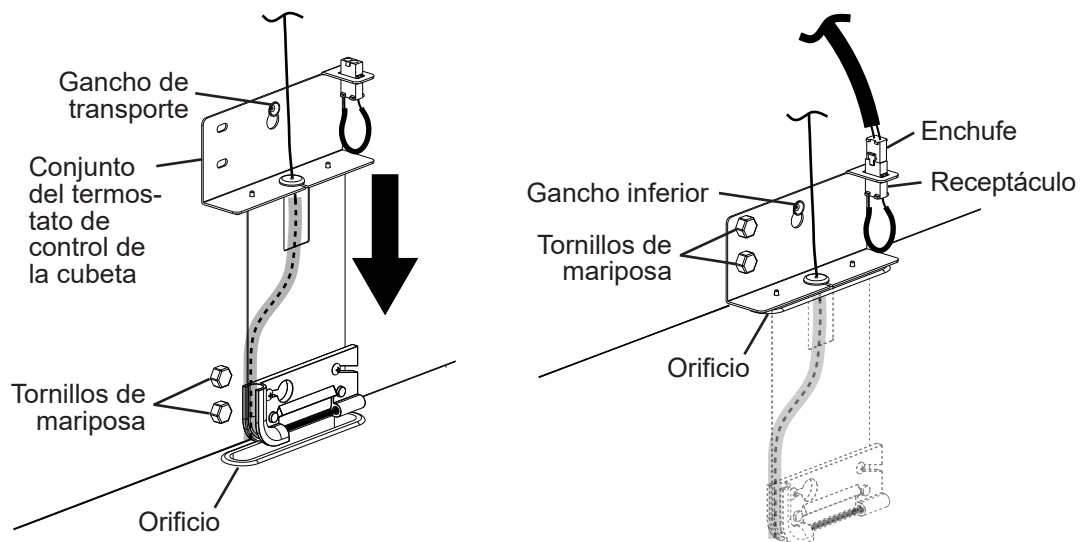


Fig. 3

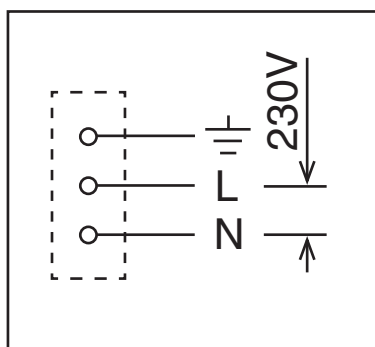
E. Conexión eléctrica

⚠ ADVERTENCIA

Para todos los modelos

- La conexión eléctrica debe estar cableada y debe cumplir con la normativa eléctrica nacional, estatal y local. El incumplimiento de estas normativas podría provocar la muerte, descargas eléctricas, lesiones graves, incendios o daños.
- La máquina de hielo requiere una fuente de alimentación independiente con la capacidad adecuada. Consulte las especificaciones eléctricas en la placa de características. Si no se utiliza una fuente de alimentación independiente con la capacidad adecuada, el disyuntor puede saltar, el fusible puede fundirse, pueden producirse daños en el cableado existente o fallos en los componentes. Esto podría generar calor o un incendio.
- **LA MÁQUINA DE HIELO DEBE ESTAR CONECTADA A TIERRA.** Si la máquina de hielo no se conecta correctamente a tierra, podría sufrir lesiones graves o mortales.
- La conexión eléctrica debe realizarse de acuerdo con las instrucciones de la etiqueta de "ADVERTENCIA", provista con los cables flexibles de la caja de conexiones. Consulte la Fig. 4.

- Normalmente son necesarios un permiso para obras eléctricas y los servicios de un electricista acreditado.
- La variación máxima de tensión permisible es de $\pm 10\%$ de las condiciones nominales indicadas en la placa de características.
- **¡AVISO! El KM-470AJE-R452, interruptor de derivación de voltaje del transformador principal, debe colocarse de modo que coincida con el voltaje de entrada en la puesta en marcha.**
- La abertura para la conexión de la fuente de alimentación tiene un diámetro de 7/8" para un conducto de tamaño comercial de 1/2".



KM-470AJE-R452

⚠ WARNING
ELECTRICAL CONNECTION

THIS UNIT MUST BE GROUNDED
Failure to properly ground or wire this unit could result in death, serious injury, or severe damage to the icemaker. The light blue lead must be connected to the neutral conductor of the power source. See diagram below.

220-240/50/1
220-230/60/1

JUNCTION BOX

20-240V

L

N

BROWN

LIGHT BLUE

⏚

Fig. 4

F. Suministro de agua y conexiones de drenaje

Consulte la Fig. 5.

⚠ ADVERTENCIA

- El suministro de agua y las conexiones de drenaje deben realizarse siguiendo las indicaciones de las normativas nacionales, estatales y locales aplicables.
- La temperatura de trabajo normal del agua debe oscilar entre 7 °C y 32 °C. El funcionamiento del aparato, durante periodos prolongados, fuera de este rango de temperatura normal puede afectar la capacidad de producción del aparato.
- La presión del suministro de agua debe ser como mínimo de 0,07 MPa (0,7 bar) y un máximo de 0,78 MPa (7,8 bar). Si la presión sobrepasa los 0,78 MPa (7,8 bar), se requiere el uso de una válvula reductora de presión.
- Para evitar daños en el aparato, no lo utilice cuando el suministro de agua esté cerrado o si la presión es inferior a 0,07 MPa (0,7 bar). No haga funcionar el aparato hasta que se alcance la presión de agua adecuada.
- Dependiendo de la calidad del agua, puede ser necesario utilizar filtros externos, coladores o descalcificadores. Póngase en contacto con su representante local del servicio certificado de Hoshizaki o con el distribuidor local de Hoshizaki para obtener recomendaciones.

- En algunas localidades pueden ser necesarios un permiso para obras de fontanería y los servicios de un fontanero acreditado.
- La tubería de drenaje de la máquina de hielo, la tubería de drenaje de la cubeta de almacenamiento de hielo y la tubería de drenaje del condensador refrigerado por agua (en su caso) deben instalarse por separado. La tubería de drenaje de condensación puede conectarse a la tubería de drenaje de la máquina de hielo o puede funcionar de forma separada.
- Las tuberías de drenaje deben tener una altura de 2 cm por cada metro en tramos horizontales para conseguir un buen flujo. También se necesita una conexión de ventilación en T para un flujo adecuado.
- Las tuberías no deberían dirigirse directamente al drenaje. Debe quedar un hueco de aire vertical de al menos 5 cm entre el extremo de las tuberías de drenaje de la máquina de hielo y la tubería de drenaje de condensación, la cubeta de almacenamiento de hielo, el condensador refrigerado por agua (en su caso) y el drenaje del suelo.

Entrada del suministro de agua de la máquina de hielo	Tamaño mínimo de la tubería de suministro de agua de la máquina de hielo	Salida de drenaje de la máquina de hielo	Tamaño mínimo de la tubería de drenaje de la máquina de hielo	Salida de drenaje de condensación
Rosca de tubo hembra de 1/2" (FPT)	Tuberías de agua de cobre nominales o equivalentes con un diámetro interno de 3/8"	Rosca de tubo hembra de 3/4" (FPT)	Tubo duro o equivalente con un diámetro interno nominal de 3/4"	Tubo duro con un diámetro exterior de 3/8"

- Se debe instalar una válvula de drenaje y una válvula de cierre de la tubería de suministro de agua de la máquina de hielo.
- Compruebe que haya suficiente tubería de drenaje y tubería de suministro de agua adicional para retirar el aparato para su reparación.

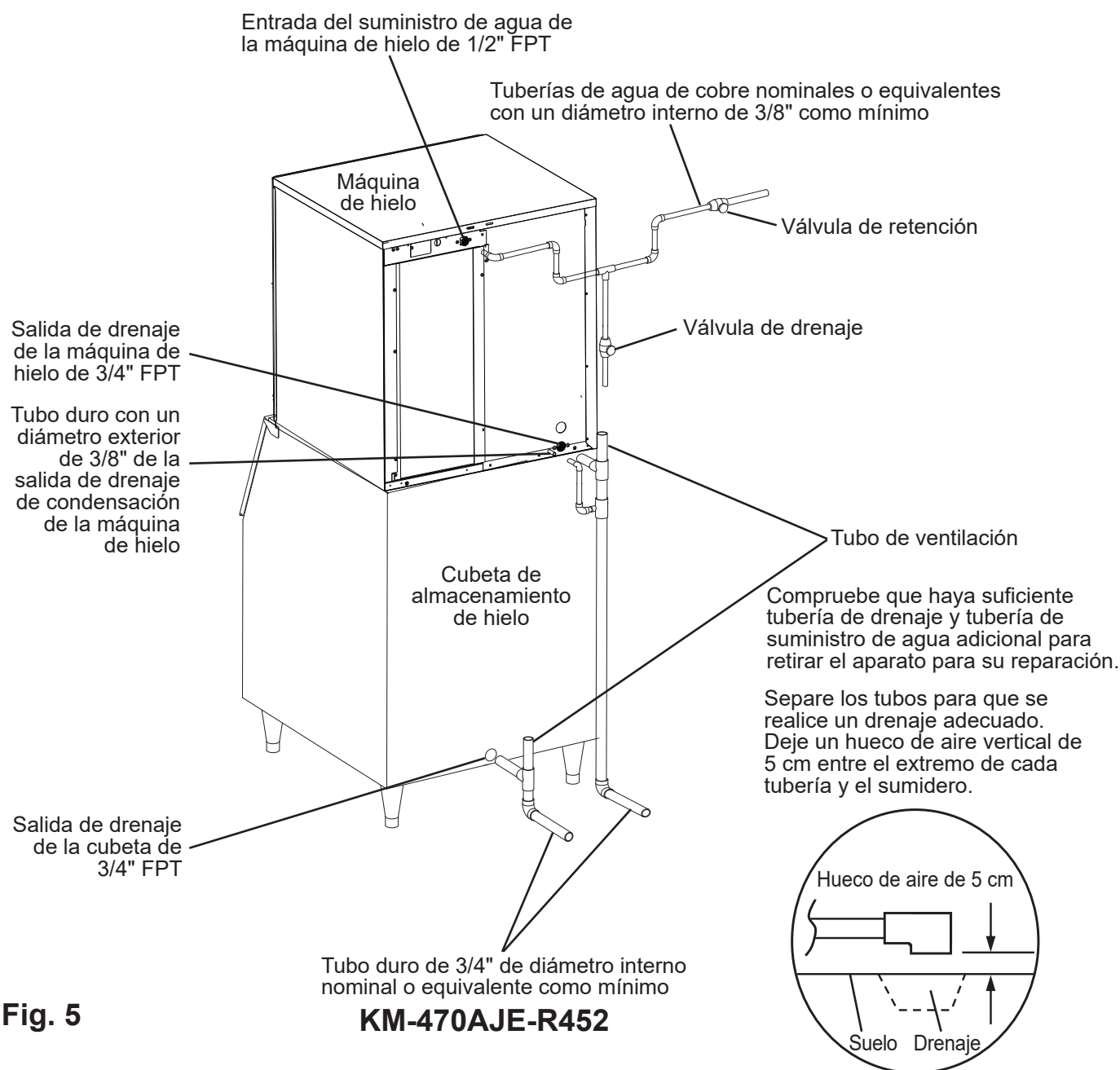


Fig. 5

KM-470AJE-R452

G. Lista de verificación final

⚠ ADVERTENCIA

RIESGO DE ASFIXIA: compruebe que todos los componentes, remaches y tornillos de mariposa estén bien colocados después de la instalación. Compruebe que no haya caído ninguno en la unidad dispensadora/cubeta de almacenamiento de hielo.

- 1) ¿La máquina de hielo está nivelada?
- 2) ¿Está la máquina de hielo en un lugar donde la temperatura ambiente oscila entre 7 °C y 38 °C y la temperatura del agua entre 7 °C y 32 °C durante todo el año?
- 3) Para el KM-470AJE-R452, ¿hay al menos 30 cm de separación en la parte posterior, los laterales y la parte superior de la máquina de hielo?
- 4) ¿Se ha retirado la caja de transporte, la cinta y el material de embalaje del aparato? ¿La guía de cubitos se encuentra en la posición correcta? ¿Están los separadores situados entre los bancos de los evaporadores bien sujetos a sus clips de sujeción?
- 5) ¿Se han efectuado todas las conexiones eléctricas y de agua? ¿Las conexiones eléctricas y de agua cumplen las normativas y reglamentos nacionales, estatales y locales aplicables?
- 6) ¿Se ha comprobado si la tensión de la red eléctrica coincide con la que figura en la placa de características? ¿Se ha efectuado una conexión a masa adecuada de la máquina de hielo?
- 7) ¿Las tuberías de drenaje y de suministro de agua tienen el tamaño especificado? ¿Se ha(n) instalado la(s) válvula(s) de cierre y la(s) válvula(s) de drenaje de la tubería de suministro de agua? ¿Se ha comprobado que la presión del suministro de agua sea de un mínimo de 0,07 MPa (0,7 bar) y un máximo de 0,78 MPa (7,8 bar)?
- 8) ¿El compresor queda ajustado en todos los soportes de montaje? ¿Se ha comprobado que los conductos de refrigerante no rozan ni tocan otras tuberías o superficies? ¿Se han revisado las palas del ventilador para asegurarse de que giren libremente?
- 9) ¿Todos los componentes, remaches y tornillos de mariposa están bien colocados en su lugar?
- 10) ¿Se ha entregado el manual de instrucciones al usuario final y se le ha enseñado a utilizar correctamente el aparato y se le ha informado de la importancia de las operaciones de mantenimiento periódicas?
- 11) ¿Se ha facilitado al usuario final la información de contacto de un agente de reparaciones autorizado?

H. Arranque

⚠ ADVERTENCIA

- Todos los componentes están ajustados de fábrica. Los ajustes incorrectos pueden afectar negativamente la seguridad, el rendimiento, la vida útil de los componentes y la cobertura de la garantía.
- Si desconecta la máquina de hielo, espere al menos 3 minutos antes de ponerla de nuevo en marcha para evitar que el compresor se averíe.
- Para evitar daños en la junta de la bomba de agua, no deje el interruptor de control en la posición "WASH" durante períodos prolongados cuando el depósito de agua esté vacío.
- En la puesta en marcha, confirme que no haya ninguna fuga en las conexiones internas y externas.

- 1) Abra la(s) válvula(s) de cierre de la tubería de suministro de agua.
- 2) Desmonte la tapa delantera.
- 3) Mueva el interruptor de control de la caja de control a la posición "ICE".
- 4) Vuelva a colocar la tapa delantera en su posición correcta.
- 5) Active el equipo y deje que la máquina de hielo funcione durante un total de 10 minutos.
- 6) Desactive el equipo y desmonte la tapa delantera y la tapa de aislamiento.
- 7) Deslice la guía de cubitos hacia la derecha y, a continuación, retire el tapón de goma y el manguito que cubre el tubo de desbordamiento. Consulte la Fig. 6. Desenrosque el tubo de desbordamiento. Después de que el depósito de agua se haya drenado, vuelva a conectar el tubo de desbordamiento. Vuelva a colocar la manguera de goma, el tapón de desagüe y la guía de cubitos en sus posiciones correctas. **¡AVISO! Compruebe que la junta tórica esté unida a la parte inferior del tubo de desbordamiento y procure no cruzar dicho tubo.**
- 8) Vuelva a montar la tapa de aislamiento y la tapa delantera en sus posiciones correctas.
- 9) Limpie el revestimiento de la unidad dispensadora/cubeta de almacenamiento de hielo utilizando un detergente neutro. Aclárelo bien después de limpiarlo.
- 10) Active el equipo para iniciar el proceso de fabricación automática de hielo.
- 11) Cuando la máquina de hielo esté funcionando, sostenga un cubito en contacto con la bombilla. La máquina de hielo debe pararse en 10 segundos. Es posible que deba realizar algún ajuste, particularmente en lugares de mayor altitud.

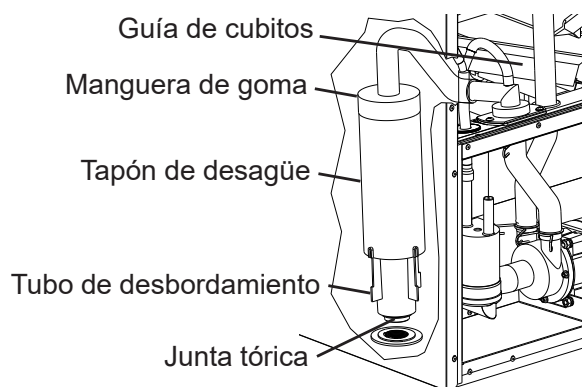


Fig. 6

III. Mantenimiento

El mantenimiento del aparato debe llevarse a cabo de acuerdo con el manual de instrucciones y las etiquetas proporcionadas. Consulte con su representante del servicio certificado de Hoshizaki todo lo relacionado con los servicios de mantenimiento.

ADVERTENCIA

- Solo técnicos de servicio cualificados pueden realizar el mantenimiento del aparato.
- Para reducir el riesgo de descarga eléctrica, no toque el interruptor de control con las manos húmedas.
- Mueva el interruptor de control a la posición “OFF” y desactive el equipo antes de repararlo. Realice un procedimiento de bloqueo y etiquetado (LOTO, por sus siglas en inglés) para evitar que la fuente de alimentación vuelva a activarse inadvertidamente.
- **RIESGO DE ASFIXIA:** asegúrese de que todos los componentes, remaches y tornillos de mariposa estén bien colocados en su sitio después de haber llevado a cabo cualquier servicio de mantenimiento en el aparato. Compruebe que no haya caído ninguno en la unidad dispensadora/cubeta de almacenamiento de hielo.

A. Programa de mantenimiento

El programa de mantenimiento que figura a continuación es orientativo. Puede ser necesario un mantenimiento más frecuente en función de la calidad del agua, del entorno del aparato y de la normativa sanitaria local.

Programa de mantenimiento		
Frecuencia	Zona	Tarea
A diario	Pala	Limpie la pala de hielo con un detergente neutro. Aclárelo bien después de limpiarlo.
Cada dos semanas	Filtros de aire	Comprobar. Lávelos con agua tibia y un detergente neutro si están sucios.
Cada mes	Filtros de agua externos	Compruebe la presión adecuada y cámbielos si es necesario.
	Exterior de la máquina de hielo	Límpielo con un trapo limpio y suave. Utilice un paño húmedo con un detergente neutro para eliminar la grasa o las acumulaciones de suciedad. Limpie cualquier mancha de cloro (manchas de color óxido) con un limpiador no abrasivo.
	Parte inferior de la máquina de hielo y kits superiores; puerta de la cubeta	Límpielos con un trapo limpio y agua tibia.
Cada año	Máquina de hielo y unidad dispensadora/cubeta de almacenamiento de hielo	Límpielas y esterilícelas siguiendo las instrucciones de limpieza y esterilización indicadas en este manual. Consulte “III. B. Instrucciones de limpieza y esterilización”.
	Entrada del suministro de agua	Cierre la válvula de cierre de la tubería de suministro de agua de la máquina de hielo y drene el sistema de agua. Limpie la pantalla de la entrada del suministro de agua.
	Condensador	Comprobar. Si es necesario, límpielo con un cepillo o una aspiradora. Según sea el lugar en que esté situada la máquina, es posible que sean necesarias limpiezas más frecuentes.
	Tubos de agua	Compruebe los tubos de agua y límpielos/sustitúyalos si es necesario.

B. Instrucciones de limpieza y esterilización

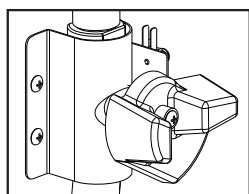
La máquina de hielo debe limpiarse y esterilizarse al menos una vez al año. Según las condiciones del agua, puede ser necesaria una limpieza y esterilización más frecuentes.

⚠ ADVERTENCIA

- Para evitar lesiones a personas y daños a la máquina de hielo, no utilice detergentes a base de amoníaco.
- Siga cuidadosamente cualquier instrucción que se indique en las botellas de la solución de esterilización y limpieza.
- Utilice siempre guantes y gafas a prueba de líquidos para evitar que las soluciones de limpieza y esterilización entren en contacto con la piel o los ojos.
- No deje la máquina de hielo desatendida cuando las tapas estén retiradas.
- Para evitar daños en la junta de la bomba de agua, no deje el interruptor de control en la posición "WASH" durante períodos prolongados cuando el depósito de agua esté vacío.

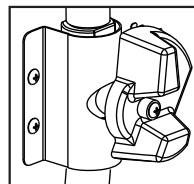
IMPORTANTE

- La válvula de limpieza se abre durante la limpieza y esterilización para permitir que la solución fluya hacia el interior del evaporador. Debe estar cerrada para todas las operaciones de fabricación de hielo. El compresor no funcionará a menos que esta válvula esté completamente cerrada.
- Para cerrar la válvula de limpieza, el asa de la válvula debe estar en ángulo recto con el cuerpo de la válvula. Para abrir la válvula de limpieza, el asa de la válvula debe estar paralela con el cuerpo de la válvula.



CERRADO

Operación de fabricación de hielo



ABIERTO

Operación de limpieza y esterilización (permite que la solución fluya hacia el interior del evaporador)

Preparación

- 1) Desmonte la tapa delantera y coloque el interruptor de control en la posición "OFF". Transcurridos 3 minutos, desplace el interruptor de control a la posición "ICE" y vuelva a colocar la tapa delantera.
- 2) Transcurridos 3 minutos, desmonte la tapa delantera y luego desplace el interruptor de control a la posición "OFF".
- 3) Extraiga todo el hielo de la cubeta de almacenamiento de hielo. **¡ADVERTENCIA! Si se trata de una unidad dispensadora, desactívela una vez dispensado el hielo.**

Limpieza

- 4) Retire la tapa de aislamiento delantera y luego deslice la guía de cubitos hacia la derecha. Retire el tapón de goma y el manguito que cubre el tubo de desbordamiento. Consulte la Fig. 6. Desenrosque el tubo de desbordamiento. Después de que el depósito de agua se haya drenado, vuelva a conectar el tubo de desbordamiento. Vuelva a colocar la manguera de goma, el tapón de desagüe, la guía de cubitos y la tapa de aislamiento delantera.
¡AVISO! Compruebe que la junta tórica esté unida a la parte inferior del tubo de desbordamiento y procure no cruzar dicho tubo.
- 5) Para llenar el depósito de agua, desplace el interruptor de control a la posición "ICE" y vuelva a colocar la tapa delantera. Transcurridos 3,5 minutos, desmonte la tapa delantera y luego desplace el interruptor de control a la posición "OFF".
- 6) Retire la tapa de aislamiento delantera y vierta 887 ml del producto "Scale Away" de Hoshizaki, u otro esterilizador recomendado por Hoshizaki, en el depósito de agua. Vuelva a colocar la tapa de aislamiento delantera. Gire la válvula de limpieza hacia la izquierda hasta que quede completamente vertical (abierta).
- 7) **¡AVISO! Para evitar la formación excesiva de espuma, espere 1 minuto antes de continuar.**
Transcurrido 1 minuto, desplace el interruptor de control a la posición "WASH" y vuelva a colocar la tapa delantera.
- 8) Transcurridos 30 minutos, desmonte la tapa delantera y luego desplace el interruptor de control a la posición "OFF".
- 9) Retire la tapa de aislamiento delantera y luego deslice la guía de cubitos hacia la derecha. Retire la manguera de goma y el tapón de desagüe que cubren el tubo de desbordamiento. Desenrosque el tubo de desbordamiento. Después de que el depósito de agua se haya drenado, vuelva a conectar el tubo de desbordamiento. Vuelva a colocar la manguera de goma, el tapón de desagüe, la guía de cubitos y la tapa de aislamiento delantera.
- 10) Cuando las propiedades del agua sean malas o extremas, desactive el equipo y retire, limpie (solución limpiadora = 40 ml. del producto "Scale Away" de Hoshizaki por litro de agua tibia), enjuague y vuelva a colocar las guías de cubitos, el interruptor del flotador, los tubos de suministro de agua, los tubos pulverizadores y las guías del pulverizador; active el equipo cuando haya terminado. De lo contrario, continúe en el paso 11.

Aclarado de la solución de limpieza

- 11) Gire la válvula de limpieza hacia la derecha hasta que quede completamente horizontal (cerrada). Desplace el interruptor de control a la posición "ICE" y vuelva a colocar la tapa delantera. Transcurridos 3,5 minutos, desmonte la tapa delantera y luego desplace el interruptor de control a la posición "OFF". Nota: la máquina de hielo no funcionará a menos que la válvula de limpieza esté completamente cerrada.
- 12) Gire la válvula de limpieza hacia la izquierda hasta que quede completamente vertical (abierta). Desplace el interruptor de control a la posición "WASH" y vuelva a colocar la tapa delantera. Transcurridos 5 minutos, desmonte la tapa delantera y luego desplace el interruptor de control a la posición "OFF".
- 13) Retire la tapa de aislamiento delantera y luego deslice la guía de cubitos hacia la derecha. Retire la manguera de goma y el tapón de desagüe que cubren el tubo de desbordamiento. Desenrosque el tubo de desbordamiento. Después de que el depósito de agua se haya drenado, vuelva a conectar el tubo de desbordamiento. Vuelva a colocar la manguera de goma, el tapón de desagüe, la guía de cubitos y la tapa de aislamiento delantera.

Esterilización

- 14) Para llenar el depósito de agua, gire la válvula de limpieza hacia la derecha hasta que quede completamente horizontal (cerrada). Desplace el interruptor de control a la posición "ICE" y vuelva a colocar la tapa delantera. Transcurridos 3,5 minutos, desmonte la tapa delantera y luego desplace el interruptor de control a la posición "OFF".
- 15) Retire la tapa de aislamiento delantera y vierta 50 ml de una solución de hipoclorito sódico al 8,25 % (lejía de cloro) en el depósito de agua. Vuelva a colocar la tapa de aislamiento delantera. Gire la válvula de limpieza hacia la izquierda hasta que quede completamente vertical (abierta). **¡IMPORTANTE! Utilice lejía normal sin aditivos. El uso de lejía con aditivos provoca un exceso de espuma durante la esterilización, lo que reduce la eficacia de la misma.**
- 16) **¡AVISO! Para evitar la formación excesiva de espuma, espere 1 minuto antes de continuar.**
Transcurrido 1 minuto, desplace el interruptor de control a la posición "WASH" y vuelva a colocar la tapa delantera.
- 17) Transcurridos 45 minutos, desmonte la tapa delantera y luego desplace el interruptor de control a la posición "OFF".
- 18) Retire la tapa de aislamiento delantera y luego deslice la guía de cubitos hacia la derecha. Retire la manguera de goma y el tapón de desagüe que cubren el tubo de desbordamiento. Desenrosque el tubo de desbordamiento. Después de que el depósito de agua se haya drenado, vuelva a conectar el tubo de desbordamiento. Vuelva a colocar la manguera de goma, el tapón de desagüe, la guía de cubitos y la tapa de aislamiento delantera.

Aclarado de la solución de esterilización 1

- 19) Gire la válvula de limpieza hacia la derecha hasta que quede completamente horizontal (cerrada). Desplace el interruptor de control a la posición "ICE" y vuelva a colocar la tapa delantera. Transcurridos 3,5 minutos, desmonte la tapa delantera y luego desplace el interruptor de control a la posición "OFF".
- 20) Gire la válvula de limpieza hacia la izquierda hasta que quede completamente vertical (abierta). Desplace el interruptor de control a la posición "WASH" y vuelva a colocar la tapa delantera. Transcurridos 5 minutos, desmonte la tapa delantera y luego desplace el interruptor de control a la posición "OFF".
- 21) Retire la tapa de aislamiento delantera y luego deslice la guía de cubitos hacia la derecha. Retire el tapón de goma y el manguito que cubre el tubo de desbordamiento. Desenrosque el tubo de desbordamiento. Después de que el depósito de agua se haya drenado, vuelva a conectar el tubo de desbordamiento. Vuelva a colocar la manguera de goma, el tapón de desagüe, la guía de cubitos y la tapa de aislamiento delantera.

Aclarado de la solución de esterilización 2

- 22) Gire la válvula de limpieza hacia la derecha hasta que quede completamente horizontal (cerrada). Desplace el interruptor de control a la posición "ICE" y vuelva a colocar la tapa delantera. Transcurridos 3,5 minutos, desmonte la tapa delantera y luego desplace el interruptor de control a la posición "OFF".
- 23) Gire la válvula de limpieza hacia la izquierda hasta que quede completamente vertical (abierta). Desplace el interruptor de control a la posición "WASH" y vuelva a colocar la tapa delantera. Transcurridos 5 minutos, desmonte la tapa delantera y luego desplace el interruptor de control a la posición "OFF".

- 24) Retire la tapa de aislamiento delantera y luego deslice la guía de cubitos hacia la derecha. Retire la manguera de goma y el tapón de desagüe que cubren el tubo de desbordamiento. Desenrosque el tubo de desbordamiento. Después de que el depósito de agua se haya drenado, vuelva a conectar el tubo de desbordamiento. Vuelva a colocar la manguera de goma, el tapón de desagüe, la guía de cubitos y la tapa de aislamiento delantera.

Aclarado de la solución de esterilización 3

- 25) Gire la válvula de limpieza hacia la derecha hasta que quede completamente horizontal (cerrada). Desplace el interruptor de control a la posición "ICE" y vuelva a colocar la tapa delantera. Transcurridos 3,5 minutos, desmonte la tapa delantera y luego desplace el interruptor de control a la posición "OFF".
- 26) Gire la válvula de limpieza hacia la izquierda hasta que quede completamente vertical (abierta). Desplace el interruptor de control a la posición "WASH" y vuelva a colocar la tapa delantera. Transcurridos 5 minutos, desmonte la tapa delantera y luego desplace el interruptor de control a la posición "OFF".
- 27) Retire la tapa de aislamiento delantera y luego deslice la guía de cubitos hacia la derecha. Retire la manguera de goma y el tapón de desagüe que cubren el tubo de desbordamiento. Desenrosque el tubo de desbordamiento. Después de que el depósito de agua se haya drenado, vuelva a conectar el tubo de desbordamiento. Vuelva a colocar la manguera de goma, el tapón de desagüe, la guía de cubitos y la tapa de aislamiento delantera.
¡AVISO! Compruebe que la junta tórica esté unida a la parte inferior del tubo de desbordamiento y procure no cruzar dicho tubo.
- 28) Limpie el revestimiento de la cubeta de almacenamiento de hielo utilizando un detergente neutro. Aclárelo bien después de limpiarlo.
- 29) Gire la válvula de limpieza hacia la derecha hasta que quede completamente horizontal (cerrada). Sitúe el interruptor de control en la posición "ICE". Nota: si el aparato dispone de una unidad dispensadora, actívela.
- 30) Vuelva a montar todas las tapas en sus posiciones correctas.

IV. Preparación del aparato para períodos de inactividad

ATENCIÓN

- Cuando almacene la máquina de hielo durante un periodo de tiempo prolongado o a temperaturas inferiores al punto de congelación del agua, siga estas instrucciones para evitar daños.
- Para evitar daños en la junta de la bomba de agua, no deje el interruptor de control en la posición "WASH" durante períodos prolongados cuando el depósito de agua esté vacío.

Si la máquina de hielo no se utiliza durante dos o tres días en condiciones normales, basta con poner el interruptor de control en la posición "OFF". Cuando almacene la máquina de hielo durante un periodo de tiempo prolongado o a temperaturas inferiores al punto de congelación del agua, siga estas instrucciones.

1. Extraiga el agua de la tubería de suministro de agua de la máquina de hielo:

- 1) Desactive el equipo y desmonte la tapa delantera.
- 2) Sitúe el interruptor de control en la posición "OFF".
- 3) Cierre la válvula de cierre de la tubería de suministro de agua de la máquina de hielo y abra la válvula de drenaje de la tubería de suministro de agua de la máquina de hielo.
- 4) Deje que la tubería se vacíe por acción de la gravedad.
- 5) Conecte un suministro de aire comprimido o de dióxido de carbono a la válvula de drenaje de la tubería de suministro de agua de la máquina de hielo.
- 6) Sitúe el interruptor de control en la posición "ICE".
- 7) Vuelva a colocar la tapa delantera en su posición correcta y active el equipo.
- 8) Sople la tubería de suministro de agua de la máquina de hielo utilizando el suministro de aire comprimido o de dióxido de carbono.
- 9) Cierre la válvula de drenaje de la tubería de suministro de agua de la máquina de hielo.

2. Vacíe el depósito de agua:

- 1) Desactive el equipo y desmonte la tapa delantera. Sitúe el interruptor de control en la posición "OFF".
- 2) Desmonte la tapa de aislamiento.
- 3) Deslice la guía de cubitos hacia la derecha y, a continuación, retire la manguera de goma y el tapón de desagüe que cubre el tubo de desbordamiento. Consulte la Fig. 16. Desenrosque el tubo de desbordamiento. Después de que el depósito de agua se haya drenado, vuelva a conectar el tubo de desbordamiento. Vuelva a colocar la manguera de goma, el tapón de desagüe y la guía de cubitos en sus posiciones correctas.
¡AVISO! Compruebe que la junta tórica esté unida a la parte inferior del tubo de desbordamiento y procure no cruzar dicho tubo.
- 4) Vuelva a colocar la tapa de aislamiento en su posición correcta.
- 5) Extraiga todo el hielo de la cubeta de almacenamiento. Limpie la cubeta de almacenamiento con un detergente neutro. Aclárelo bien después de limpiarlo.
- 6) Vuelva a colocar la tapa delantera en su posición correcta.

V. GARANTÍA

Hoshizaki garantiza al usuario/propietario que ninguno de los productos de su marca presentarán defectos de material o mano de obra durante la duración del “periodo de garantía”. La garantía será efectiva durante dos años a partir de la fecha de instalación.

La responsabilidad de Hoshizaki según los términos de esta garantía es limitada y excluirá el servicio de rutina, la limpieza, el mantenimiento esencial y/o las reparaciones ocasionadas por uso incorrecto y por instalaciones que no se ajusten a las instrucciones de Hoshizaki.

Las reparaciones cubiertas por la garantía deberán ser realizadas por un distribuidor o centro de servicio homologado de Hoshizaki empleando componentes originales de Hoshizaki.

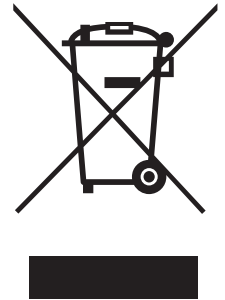
Para más detalles sobre la garantía y los centros de servicio homologados, póngase en contacto con su distribuidor/proveedor, o con la oficina de Servicio Técnico de Hoshizaki más próxima.

VI. ELIMINACIÓN

Siga las normativas locales aplicables a la eliminación de este equipo y el gas refrigerante que contiene. Antes de desechar el equipo, quite la puerta para evitar que niños queden atrapados dentro jugando.

Eliminación correcta de este producto:

Estas marcas indican que está prohibido eliminar este producto junto con otros desechos de uso doméstico en todo el territorio de la UE. Para evitar el posible daño al medio ambiente o a la salud pública, provocado por la eliminación no controlada de desechos, recíclelos de forma responsable para fomentar la reutilización sostenible de los recursos materiales. Para devolver el dispositivo usado, utilice los sistemas de devolución y recogida o póngase en contacto con el punto de venta en el que adquirió el producto. El personal se encargará de que el producto se recicle respetando el medioambiente.



ADVERTENCIA



La espuma aislante usada para el cuerpo de la unidad contiene ciclopentano, un gas inflamable. Teniendo en cuenta esto, deshágase del producto de la forma adecuada.

IMPORTANTE

Leggere attentamente il presente manuale prima di installare e utilizzare l'apparecchio. Leggere attentamente le avvertenze e le linee guida contenute nel presente manuale poiché forniscono informazioni essenziali per un uso e manutenzione sicuri dell'apparecchio in modo continuativo. Conservare il presente manuale per eventuali riferimenti futuri che potrebbero rendersi necessari.

Informazioni Importanti sulla sicurezza

I segnali di avvertimento contenuti nel presente manuale intendono attirare l'attenzione dell'operatore su situazioni che potrebbero comportare morte, lesioni gravi, danni all'apparecchio o danni alla proprietà.

⚠ AVVERTENZA Indica una situazione pericolosa che potrebbe causare la morte o lesioni gravi.

AVVISO Indica una situazione che potrebbe comportare danni all'apparecchio o alla proprietà.

IMPORTANTE Indica informazioni importanti sull'uso, installazione e manutenzione dell'apparecchio.

ATTENZIONE Indica una situazione pericolosa che, se non evitata, potrebbe causare lesioni di lieve o media entità.

▲ AVVERTENZA

L'apparecchio deve essere destinato esclusivamente all'uso per il quale è stato espressamente ideato. Qualunque altro impiego è da considerarsi improprio e pertanto pericoloso. Il produttore non può essere ritenuto responsabile per lesioni o danni derivanti da un uso improprio, non corretto o irragionevole del macchinario. La mancata installazione, funzionamento e manutenzione di questo apparecchio in conformità al presente manuale, influiranno negativamente sulla sicurezza, le prestazioni, la durata dei componenti e la copertura della garanzia, e possono causare costosi danni causati dall'acqua.

Per ridurre il rischio di morte, scosse elettriche, lesioni gravi o incendio, seguire le precauzioni basilari, tra cui:

- L'apparecchio deve essere installato e riparato solo da tecnici qualificati dell'assistenza.
- Il macchinario deve essere installato in conformità alle norme e regolamenti nazionali, regionali e locali.
- Il collegamento elettrico deve essere cablato e conforme ai requisiti elettrici nazionali, regionali e locali. La mancata osservanza di tali requisiti può provocare la morte, scosse elettriche, lesioni gravi, incendi o danni.
- La macchina richiede un'alimentazione elettrica indipendente di capacità adeguata. Fare riferimento alle specifiche del presente manuale. Il mancato utilizzo di un'alimentazione elettrica indipendente di capacità adeguata può causare lo scatto dell'interruttore di circuito, bruciare il fusibile, danni al cablaggio o guasti ai componenti che potrebbero generare calore o incendio.
- **LA MACCHINA DEVE ESSERE COLLEGATA A MASSA.** Il mancato collegamento a massa della macchina può comportare la morte o lesioni gravi.
- Per ridurre il rischio di scosse elettriche, non toccare l'interruttore di comando con le mani umide.
- Spostare l'interruttore di comando in posizione "OFF" e scollegare l'alimentazione elettrica prima di effettuare la manutenzione. Bloccare/etichettare l'alimentazione elettrica onde evitare che venga riattivata inavvertitamente.
- Non apportare modifiche all'apparecchio. Eventuali modifiche potrebbero comportare scosse elettriche, lesioni gravi, incendio o danni.
- La macchina non deve essere utilizzata da persone (inclusi i bambini) con capacità fisiche, sensoriali e mentali ridotte o prive dell'esperienza e della conoscenza necessarie, tranne nei casi in cui siano fornite la supervisione o le istruzioni relative all'utilizzo della macchina da una persona responsabile della sicurezza.
- Sorvegliare adeguatamente i bambini in prossimità dell'apparecchio.
- Non arrampicarsi, stare in piedi o appendersi all'apparecchio e non permettere a bambini o animali di farlo. Potrebbero verificarsi gravi lesioni o danni all'apparecchio.
- Non utilizzare combustibile spray e non collocare sostanze infiammabili o volatili in prossimità dell'apparecchio. Potrebbero incendiarsi.
- Mantenere pulita l'area intorno all'apparecchio. Lo sporco, la polvere o gli insetti possono causare danni alle persone o all'apparecchio.

AVVISO

- Seguire attentamente le istruzioni relative al collegamento dell'approvvigionamento e scarico dell'acqua per ridurre il rischio di costosi danni causati dall'acqua.
- Nelle aree in cui i danni causati dall'acqua costituiscono un problema, prevedere l'installazione in un'area contenuta con uno scarico a pavimento.
- Installare la macchina in un luogo con temperatura al di sopra dello zero. La normale temperatura ambiente di esercizio deve essere compresa tra 7 °C e 38 °C.
- Non lasciare la macchina accesa in caso di lunghi periodi di inutilizzo, assenze prolungate o temperature sotto lo zero. Per preparare la macchina a una di queste situazioni, seguire le istruzioni riportate in "IV. Preparazione dell'apparecchiatura per i periodi di inutilizzo".
- Non poggiare oggetti sopra all'apparecchio.
- L'unità distributore/deposito di raccolta cubetti sono destinati soltanto al ghiaccio. Non depositare altre cose nell'unità distributore/deposito di raccolta cubetti.

I. Specifiche**A. Dati elettrici e di refrigerazione**

La targhetta fornisce i dati elettrici e di refrigerazione. La targhetta si trova sul lato sinistro. Vedere la targhetta per i marchi di certificazione.

Hoshizaki si riserva il diritto di apportare modifiche alle specifiche e ai modelli senza preavviso.

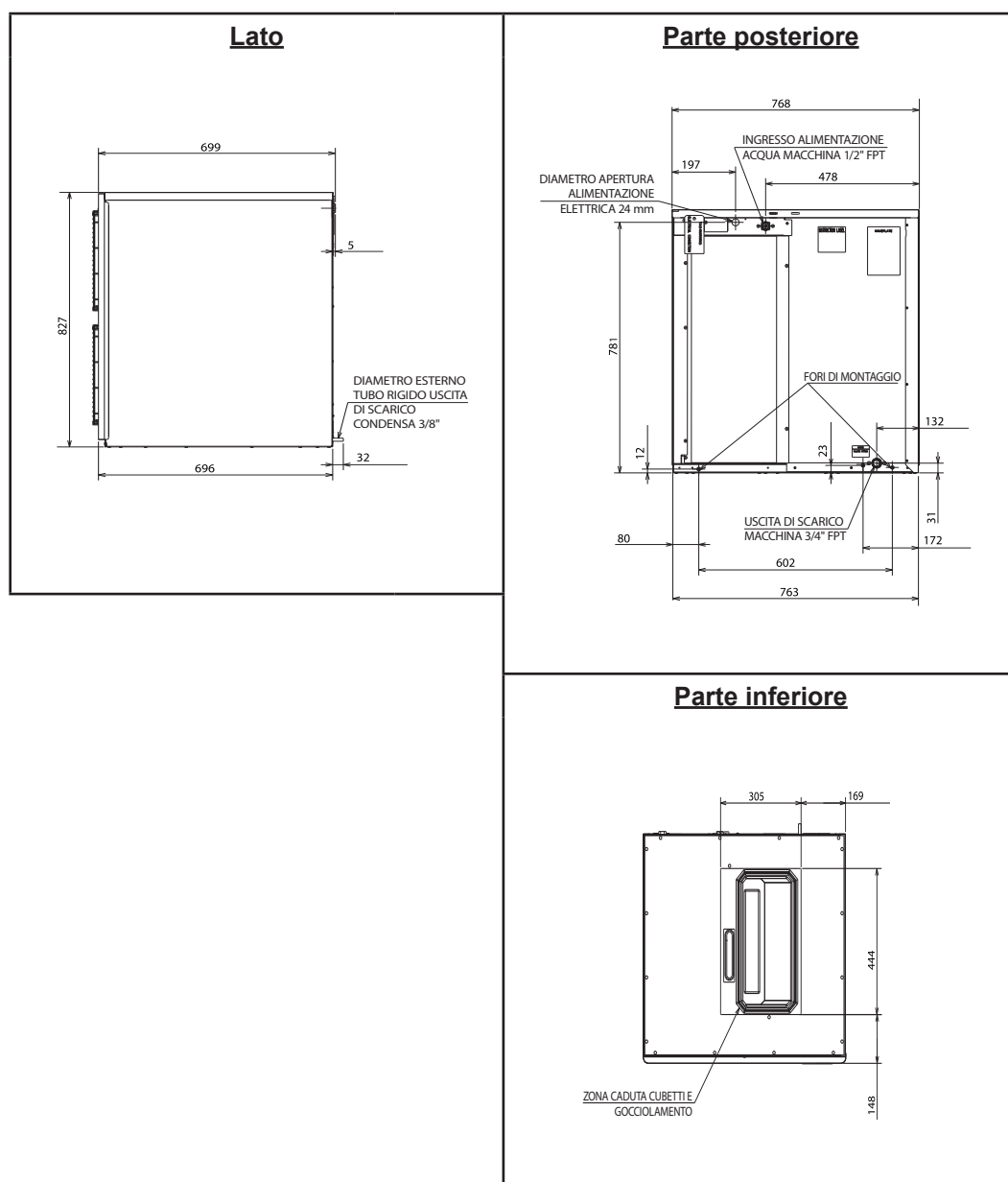
1. KM-470AJE-R452

Modello	KM-470AJE-R452
Tipo	Raffreddamento ad aria, cubetti a mezzaluna
Alimentazione elettrica	Monofase 220-240V 50 Hz
Capacità alimentazione elettrica	3,45 kVA (15,0 A)
Consumi elettrici	1.850 W (Temp. aria: 32 °C, Temp. acqua: 21 °C)
Produzione cubetti ogni 24 ore	495 kg (Temp. aria: 10 °C, Temp. acqua: 10 °C)
Dimensioni	762 mm (L) x 695 mm (P) x 825 mm (A)
Refrigerante	R452A 1,40 kg (GWP: 1945, CO ₂ : 2,723 t)
Agente erogazione schiuma isolante	Ciclopentano
Peso	Netto: 122 kg (lordo: 136 kg)
Temp. ambiente	7 - 38 °C
Temp. approvvigionamento dell'acqua	7 - 32 °C
Pressione approvvigionamento dell'acqua	0,07 - 0,78 MPa (0,7 - 7,8 bar)
Gamma di tensione	198 - 254 V

B. Dimensioni/Collegamenti

1. KM-470AJE-R452

Macchine: mm



AVVISO

- KM-470AJE-R452: lasciare uno spazio libero di 30 cm sul retro, ai lati e sopra la macchina per garantire un'appropriata circolazione dell'aria e favorire le operazioni di manutenzione e/o assistenza che dovessero essere necessarie.
- L'apertura del deposito di raccolta cubetti deve corrispondere all'apertura inferiore come nell'illustrazione.

II. Istruzioni di installazione e di esercizio

⚠ AVVERTENZA

- Il macchinario deve essere installato in conformità alle norme e regolamenti nazionali, regionali e locali.
- La mancata installazione, funzionamento e manutenzione di questo apparecchio in conformità al presente manuale, influiranno negativamente sulla sicurezza, le prestazioni, la durata dei componenti e la copertura della garanzia, e possono causare costosi danni causati dall'acqua.
- **PERICOLO DI SOFFOCAMENTO:** accertarsi che tutti i componenti, i dispositivi di fissaggio e le viti a testa piatta siano saldamente in posizione dopo l'installazione. Accertarsi che nessuna vite sia caduta nell'unità distributore/deposito raccolta cubetti.

A. Ubicazione

ATTENZIONE

- La macchina non è adatta per essere utilizzata all'aria aperta. La temperatura ambiente per il normale funzionamento deve essere compresa tra 7 °C e 38 °C. La temperatura dell'acqua per il normale funzionamento deve essere compresa tra 7 °C e 32 °C. L'utilizzo prolungato della macchina con temperature al di fuori di questi intervalli può compromettere le prestazioni della macchina.
 - La macchina non funziona a temperature inferiori allo zero. Al fine di prevenire danni al circuito di approvvigionamento dell'acqua, scaricare la macchina se la temperatura dell'aria sta scendendo al di sotto di 0 °C. Vedere "IV. Preparazione dell'apparecchiatura per i periodi di inutilizzo".
- La macchina non deve essere ubicata in prossimità di forni, grill o altri apparecchi che producono calore intenso.
 - Questa macchina necessita di uno spazio libero di 30 cm sul retro, ai lati e sopra la macchina per garantire un'adeguata circolazione dell'aria e favorire le operazioni di manutenzione e assistenza necessarie.
 - L'ubicazione su cui poggia la macchina deve essere piana e garantire solidità.

B. Controlli precedenti all'installazione

- Controllare visivamente l'esterno del collo di trasporto e riportare immediatamente al vettore la presenza di qualsiasi danno. All'apertura del collo, eventuali danni nascosti devono essere riportati immediatamente al vettore.
- Rimuovere il cartone utilizzato per il trasporto, i nastri e il materiale di imballaggio. Se non rimossi completamente, l'apparecchio non funzionerà in modo corretto.
- Verificare che la tensione di alimentazione corrisponda alla tensione specificata sull'etichetta posta sul pannello laterale sinistro.
- Per evitare danni, rimuovere i pannelli durante l'installazione dell'apparecchio. Vedere "II.C. Come rimuovere i pannelli."
- Rimuovere l'imballaggio contenente gli accessori.
- Rimuovere dai pannelli la pellicola protettiva in plastica. In caso di esposizione al sole o a fonti di calore, rimuovere la pellicola dopo aver lasciato raffreddare l'apparecchio.
- Verificare che non ci sia attrito o contatto tra le linee refrigeranti e le linee o altre superfici e che la lama della ventola (se presente) giri liberamente.
- Verificare che il compressore aderisca su tutte le piastre di montaggio.
- Questa macchina può essere installata su un deposito di raccolta largo, o più largo di 30" . È consigliato l'utilizzo di depositi di raccolta cubetti Hoshizaki, Modello B-210SA. Per ulteriori opzioni, contattare il distributore Hoshizaki di zona.

Numero di modello	Larghezza del contenitore	Deposito di raccolta cubetti Hoshizaki raccomandato
KM-470AJE-R452	30" o più largo	B-210SA

Per ulteriori opzioni, contattare il distributore Hoshizaki di zona.

C. Come rimuovere i pannelli

Vedere Fig. 1

- Pannello anteriore: rimuovere la vite. Sollevare e tirare verso di sé.
- Pannello superiore: sollevare leggermente dalla parte anteriore, spingere all'indietro e sollevare.
- Pannello destro: rimuovere la vite. Far scorrere leggermente in avanti e sollevare.
- Pannello isolante: sollevare leggermente e tirare verso di sé.

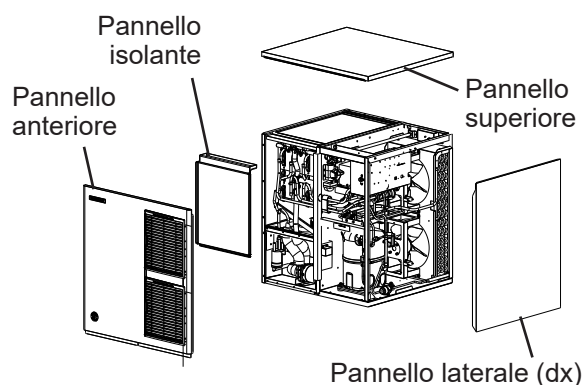


Fig. 1

D. Installazione

1. Installazione del deposito di raccolta cubetti e della macchina

⚠ AVVERTENZA

L'installatore deve accertarsi che il deposito di raccolta cubetti sia compatibile con la macchina e che l'unità di distribuzione/deposito di raccolta cubetti siano collegati e fissati correttamente.

- 1) Disimballare il deposito di raccolta cubetti e fissare le 4 gambe regolabili in dotazione (accessori del contenitore) sul fondo del deposito di raccolta cubetti.
- 2) Posizionare il deposito di raccolta cubetti nella sua posizione definitiva.
- 3) Posizionare la macchina sopra il deposito di raccolta.
- 4) Fissare la macchina al deposito di raccolta utilizzando le 2 staffe di fissaggio e i due bulloni in dotazione. Vedere Fig. 2.
- 5) Disporre la macchina e il deposito di raccolta in posizione orizzontale, lungo l'asse tra il lato sinistro e destro e lungo l'asse tra il lato anteriore e quello posteriore. Regolare le gambe del deposito di raccolta per livellare la macchina.
- 6) Macchina: ricollocare i pannelli nel modo corretto. Vedere Fig. 2.

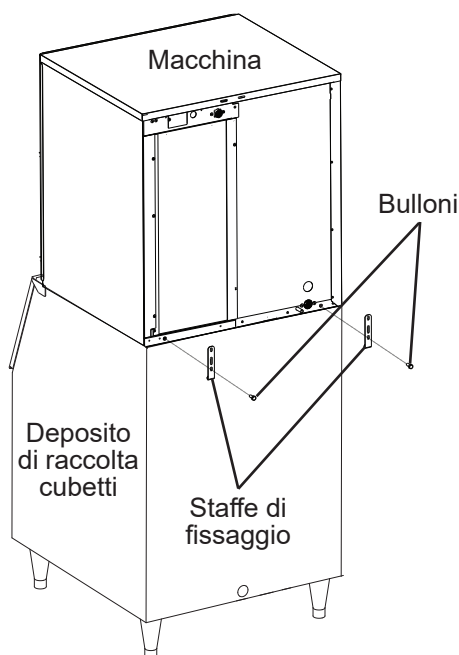


Fig. 2

2. Installazione comando del contenitore

ATTENZIONE

Prima di mettere in funzione la macchina, deve essere installato il comando del contenitore. L'installazione non corretta del comando del contenitore potrebbe causare riserve di ghiaccio e danni alla macchina.

- 7) Installare il gruppo termostato comando deposito di raccolta cubetti come segue. Vedere Fig. 3.
- Rimuovere il gruppo termostato comando deposito di raccolta cubetti dal gancio utilizzato per la spedizione.
 - Rimuovere le 2 viti a testa piatta sotto il gruppo termostato comando deposito di raccolta cubetti.
 - Abbassare il gruppo termostato comando deposito di raccolta cubetti attraverso il foro situato nella parte inferiore della macchina. Fissare il gruppo termostato comando deposito di raccolta cubetti con il gancio inferiore e le 2 viti a testa piatta rimosse nel passaggio precedente.
 - Inserire la spina nella presa del gruppo finché non è bloccata in posizione.
- IMPORTANTE! Affinché la macchina funzioni, la spina deve essere inserita nella presa.**
- 2) Ricollocare i pannelli nel modo corretto.

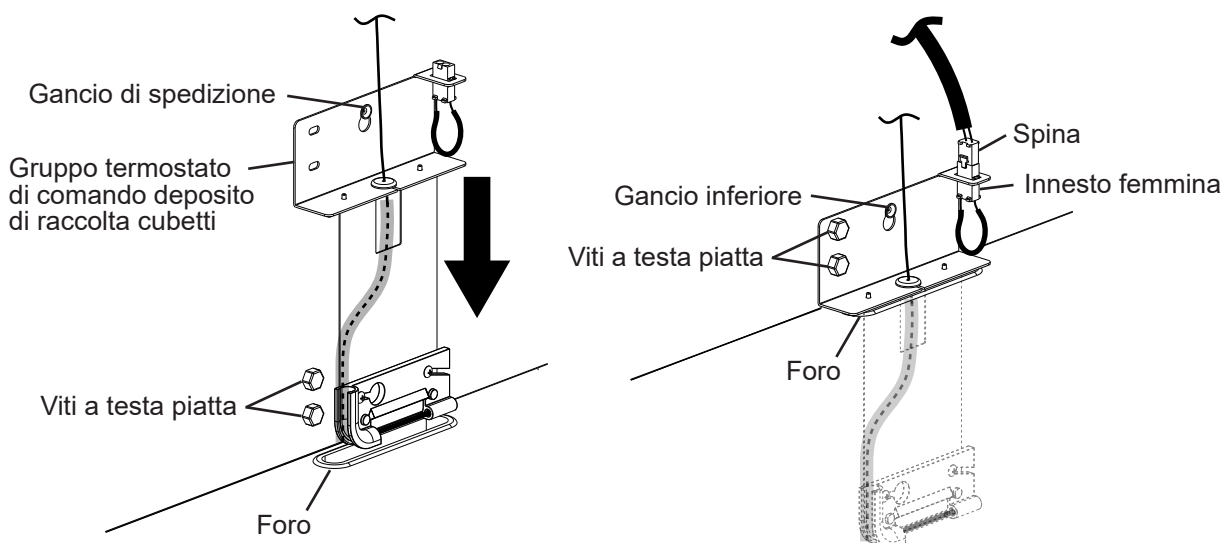


Fig. 3

E. Collegamento elettrico

⚠ AVVERTENZA

Per tutti i modelli

- Il collegamento elettrico deve essere cablato e conforme ai requisiti elettrici nazionali, regionali e locali. La mancata osservanza di tali requisiti può provocare la morte, scosse elettriche, lesioni gravi, incendi o danni.
- La macchina richiede un'alimentazione elettrica indipendente di capacità adeguata. Fare riferimento alla targhetta per le specifiche elettriche. Il mancato utilizzo di un'alimentazione elettrica indipendente di capacità adeguata può causare lo scatto dell'interruttore di circuito, bruciare il fusibile, danni al cablaggio o guasti ai componenti che potrebbero generare calore o incendio.
- **LA MACCHINA DEVE ESSERE COLLEGATA A MASSA.** Il mancato collegamento a massa della macchina può comportare la morte o lesioni gravi.
- Il collegamento elettrico deve essere effettuato in conformità alle istruzioni riportate sulla targhetta "AVVERTENZA", fornita con i cavi pigtail nella scatola di giunzione. Vedere Fig. 4.

- Per eseguire interventi elettrici sono solitamente necessari un permesso specifico nonché l'assistenza di un elettricista qualificato.
- La massima variazione di tensione consentita è ± 10 per cento del valore riportato sulla targhetta.
- **AVVISO! KM-470AJE-R452: il commutatore di tensione del trasformatore principale deve essere posizionato in modo che corrisponda alla tensione in ingresso all'avvio.**
- Il diametro dell'apertura per il collegamento dell'alimentazione elettrica è 7/8" per adattarsi alla dimensione commerciale dei condotti da 1/2".

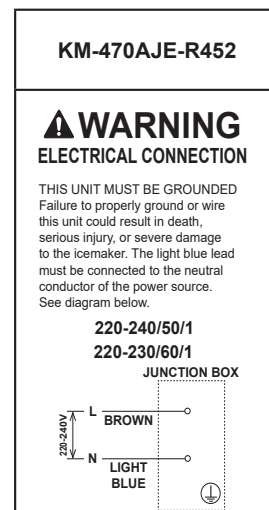
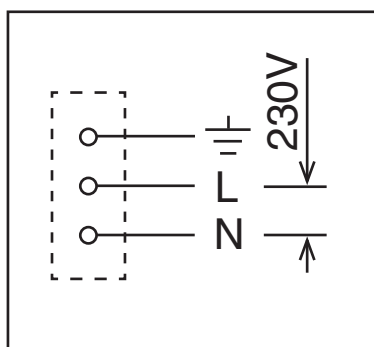


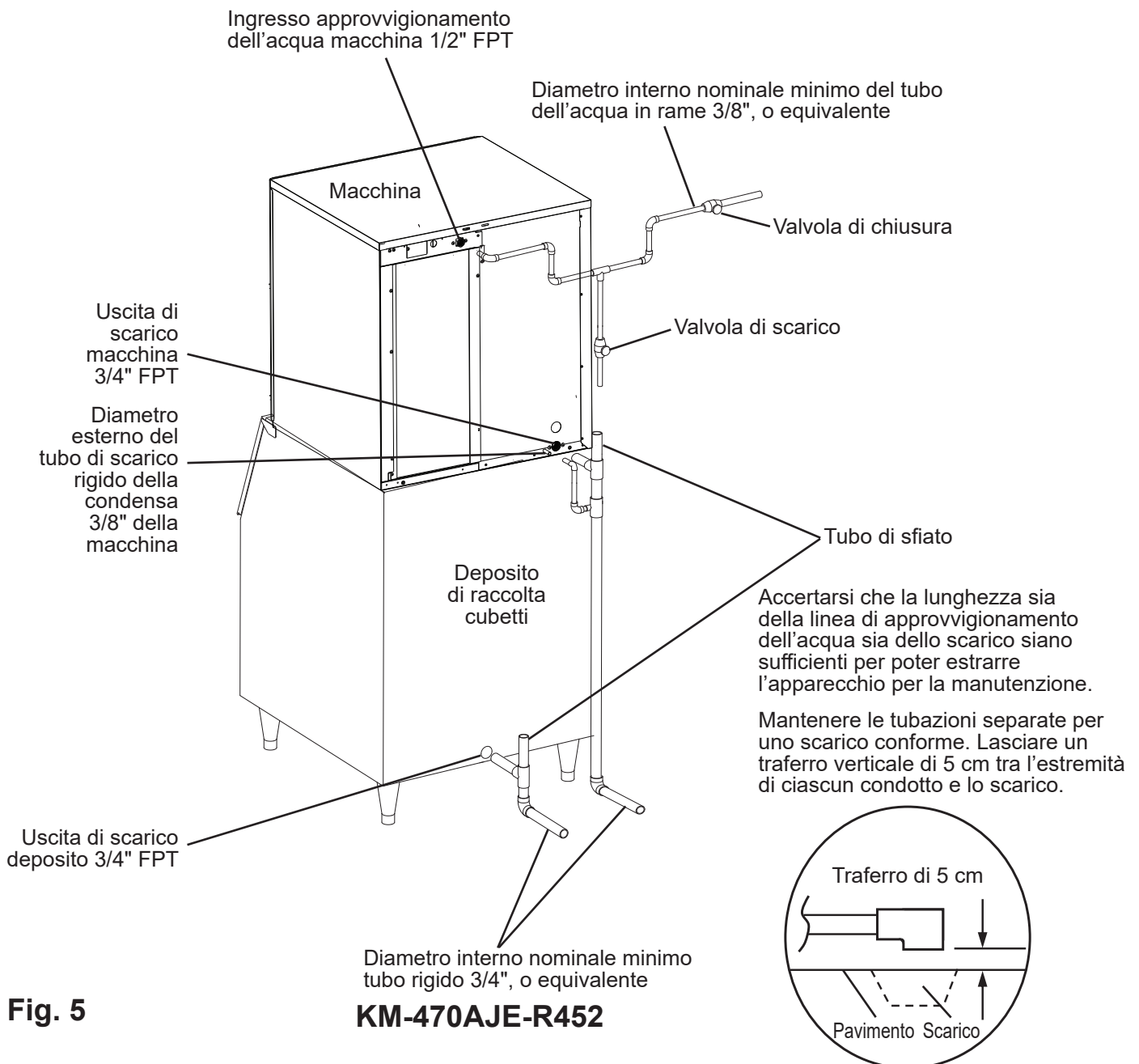
Fig. 4

F. Collegamento approvvigionamento dell'acqua e scarico**Vedere Fig. 5.****⚠ AVVERTENZA**

- Il collegamento dell'approvvigionamento dell'acqua e dello scarico deve essere eseguito in conformità alle norme nazionali, regionali e locali.
 - La normale temperatura dell'acqua di funzionamento deve essere compresa tra 7 °C e 32 °C. Il prolungato funzionamento dell'apparecchio al di fuori degli intervalli di temperatura specificati può comprometterne le prestazioni.
 - La pressione di approvvigionamento dell'acqua deve essere compresa tra minimo 0,07 MPa (0,7 bar) e massimo 0,78 MPa (7,8 bar). Qualora la pressione superi 0,78 MPa (7,8 bar), è necessario utilizzare una valvola limitatrice di pressione.
 - Per evitare danni all'apparecchiatura, non azionare la macchina se l'approvvigionamento dell'acqua è interrotto o se la pressione è inferiore a 0,07 MPa (0,7 bar). Non azionare l'apparecchiatura sino a quando non viene raggiunta la corretta pressione dell'acqua.
 - In base alla qualità dell'acqua potrebbero essere necessari filtri esterni, dispositivi di stringimento o addolcitori. Contattare il Servizio di Rappresentanza Certificato Hoshizaki locale o il distributore Hoshizaki di zona per ulteriori raccomandazioni.
- In alcune località, per eseguire lavori idraulici sono necessari un permesso specifico nonché l'assistenza di un idraulico qualificato.
 - La linea di scarico della macchina, del deposito di raccolta cubetti e del condensatore raffreddato ad acqua (se presente) devono funzionare separatamente. La linea di scarico della condensa può essere collegata alla linea di scarico della macchina o separata.
 - Per ottenere un buon flusso nei percorsi orizzontali, le linee di scarico devono avere una caduta di 2 cm e una lunghezza di 1 m. Per un corretto flusso di drenaggio è inoltre necessario un raccordo a T forato.
 - I circuiti di scarico non devono essere collegati direttamente alla rete fognaria. È necessario lasciare un traferro verticale di almeno 5 centimetri tra lo scarico a pavimento e le estremità dei condotti di scarico della macchina, della condensa, del deposito di raccolta cubetti e del condensatore raffreddato ad acqua (se presente).

Entrata approvvigionamento dell'acqua della macchina	Dimensione minima della linea di approvvigionamento dell'acqua della macchina	Uscita di scarico della macchina	Dimensione minima della linea di scarico della macchina	Uscita di scarico condensa
Tubo femmina filettato da 1/2" (FPT)	Diametro interno nominale del tubo dell'acqua in rame 3/8", o equivalente	Tubo femmina filettato da 3/4" (FPT)	Diametro interno nominale tubo rigido 3/4", o equivalente	Diametro esterno tubo rigido 3/8"

- Inoltre, devono essere installate una valvola di arresto del circuito di approvvigionamento dell'acqua macchina e una valvola di scarico.
- Accertarsi che la lunghezza sia della linea di approvvigionamento dell'acqua sia dello scarico siano sufficienti per poter estrarre l'apparecchio per la manutenzione.



G. Lista di controllo finale

AVVERTENZA

PERICOLO DI SOFFOCAMENTO: accertarsi che tutti i componenti, i dispositivi di fissaggio e le viti a testa piatta siano saldamente in posizione dopo l'installazione. Accertarsi che nessuna vite sia caduta nell'unità distributore/deposito raccolta cubetti.

- 1) La macchina è livellata?
- 2) La macchina è installata in un luogo in cui la temperatura ambiente è compresa tra 7 °C e 38 °C e la temperatura dell'acqua è compresa tra 7 °C e 32 °C tutto l'anno?
- 3) Per il modello KM-470AJE-R452, è presente uno spazio libero di almeno 30 cm sul retro, ai lati e sopra la macchina?
- 4) Il cartone utilizzato per il trasporto, i nastri e il materiale di imballaggio sono stati rimossi dall'apparecchiatura? La guida cubetti è nella posizione corretta? I divisori tra i banchi dell'evaporatore sono fissati correttamente ai loro ganci di sostegno?
- 5) Sono stati eseguiti tutti i collegamenti elettrici e idraulici? I collegamenti elettrici e idraulici sono conformi alle norme nazionali, regionali e locali?
- 6) L'alimentazione elettrica è stata controllata o testata per verificarne la conformità a quella riportata sulla targhetta? La macchina è stata collegata a massa?
- 7) Il dimensionamento delle linee di approvvigionamento e scarico dell'acqua è quello specificato? Sono state installate le valvole di arresto del circuito di approvvigionamento dell'acqua e le valvole di scarico? La pressione di approvvigionamento dell'acqua è stata controllata per garantire un minimo di 0,07 MPa (0,7 bar) e un massimo di 0,78 MPa (7,8 bar)?
- 8) Il compressore aderisce su tutte le piastre di montaggio? Le linee del refrigerante sono state controllate per assicurarsi che non sfreghino o tocchino altre linee o superfici? Sono state controllate le pale della ventola per accertarsi che ruotino liberamente?
- 9) Tutti i componenti, i dispositivi di fissaggio e le viti a testa piatta sono saldamente fissati?
- 10) L'utente finale ha ricevuto il manuale di istruzioni, è stato istruito su come utilizzare l'apparecchiatura e l'importanza della manutenzione periodica raccomandata?
- 11) L'utente finale ha ricevuto i contatti di un addetto all'assistenza autorizzato?

H. Avvio

⚠ AVVERTENZA

- Tutti i componenti sono preimpostati dalla casa costruttrice. Regolazioni improprie possono influire negativamente sulla sicurezza, sulle prestazioni, sulla durata dei componenti e sulla copertura della garanzia.
- Se la macchina è spenta, attendere almeno 3 minuti prima di avviarla nuovamente onde evitare di danneggiare il compressore.
- Per evitare danni alla guarnizione della pompa dell'acqua, non lasciare l'interruttore di comando in posizione "WASH" per lunghi periodi quando il serbatoio dell'acqua è vuoto.
- All'avvio, verificare che tutte le connessioni interne ed esterne siano prive di perdite.

- 1) Aprire la/e valvola/e di arresto del circuito di approvvigionamento dell'acqua.
- 2) Smontare il pannello anteriore.
- 3) Portare l'interruttore di comando sulla scatola di comando nella posizione "ICE".
- 4) Ricollocare il pannello anteriore nel modo corretto.
- 5) Accendere l'alimentazione elettrica e lasciare la macchina in funzione per un totale di 10 minuti.
- 6) Spegnerne l'alimentazione elettrica, quindi rimuovere il pannello anteriore e il pannello isolante.
- 7) Far scorrere la guida cubetti verso destra, quindi rimuovere il tappo in gomma e il manicotto che copre il tubo di troppopieno. Vedere Fig. 6. Svitare il tubo di troppopieno. Dopo aver scaricato il serbatoio dell'acqua, ricollegare il tubo di troppopieno. Ricollocare il tubo in gomma, il tappo di troppopieno e la guida cubetti in modo corretto. **AVVISO! Assicurarsi che l'O-ring sia collegato alla parte inferiore del tubo di troppopieno e prestare attenzione a non spanarlo.**
- 8) Ricollocare il pannello isolante e il pannello anteriore in modo corretto.
- 9) Pulire la tazza dell'unità di distribuzione/deposito di raccolta cubetti con un detergente neutro. Sciacquare a fondo dopo la pulizia.
- 10) Accendere l'alimentazione elettrica per avviare il processo di produzione automatica del ghiaccio.
- 11) Mentre la macchina è in funzione, posizionare un cubetto a contatto con il bulbo. La macchina dovrebbe arrestarsi in 10 secondi. Potrebbe essere necessaria una regolazione, in particolare in località a quote più elevate.

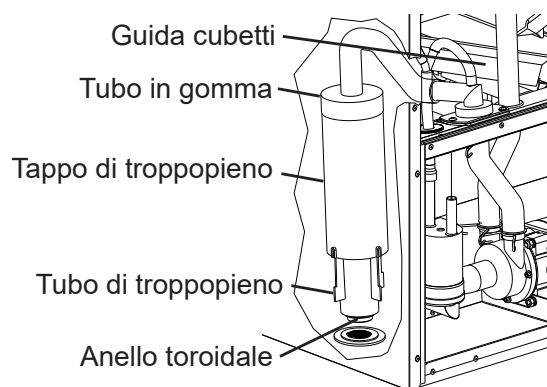


Fig. 6

III. Manutenzione

La manutenzione dell'apparecchiatura deve essere eseguita in conformità al manuale di istruzioni e alle etichette fornite. Rivolgersi al Servizio di Rappresentanza Certificato Hoshizaki in merito ai servizi di manutenzione.

⚠ AVVERTENZA

- L'apparecchio deve essere riparato solo da tecnici qualificati dell'assistenza.
- Per ridurre il rischio di scosse elettriche, non toccare l'interruttore di comando con le mani umide.
- Spostare l'interruttore di comando in posizione "OFF" e scollegare l'alimentazione elettrica prima di effettuare la manutenzione. Bloccare/etichettare l'alimentazione elettrica onde evitare che venga riattivata inavvertitamente.
- **RISCHIO DI SOFFOCAMENTO:** accertarsi che tutti i componenti, i dispositivi di fissaggio e le viti a testa piatta siano saldamente in posizione dopo qualsiasi intervento di manutenzione sull'apparecchiatura. Accertarsi che nessuna vite sia caduta nell'unità distributore/deposito raccolta cubetti.

A. Programma di manutenzione

Il programma di manutenzione riportato di seguito è solo una linea guida. In base alla qualità dell'acqua, le condizioni ambientali dell'apparecchiatura e le norme sanitarie locali, potrebbe essere necessaria una manutenzione più frequente.

Programma di manutenzione		
Frequenza	Area	Compito
Giornaliero	Cucchiaino di presa	Pulire il cucchiaino di presa cubetti con un detergente neutro. Sciacquare a fondo dopo la pulizia.
Bisettimanale	Filtri dell'aria	Ispezionare. Se sporchi, lavare con acqua tiepida e detergente neutro.
Mensile	Filtri acqua esterni	Verificare che la pressione sia corretta e sostituire se necessario.
	Esterno della macchina	Pulire con un panno morbido pulito. Per eliminare macchie di grasso e di sporcizia, utilizzare un panno inumidito con soluzione detergente neutra. Pulire eventuali macchie di cloro (macchie color ruggine) utilizzando un detergente non abrasivo.
	Parte inferiore della macchina e kit superiore; sportello del contenitore	Pulire con acqua tiepida e un panno pulito.
Annuale	Unità distributore/deposito di raccolta cubetti della macchina	Pulire e disinfettare in base alle istruzioni di pulizia e disinfezione fornite nel presente manuale. Vedere "III. B. Istruzioni di pulizia e disinfezione".
	Entrata approvvigionamento dell'acqua	Chiudere le valvole di arresto del circuito di approvvigionamento dell'acqua e scaricare il sistema idrico. Pulire lo schermo di entrata approvvigionamento dell'acqua.
	Condensatore	Ispezionare. Se necessario, pulire utilizzando una spazzola o un aspirapolvere. Tuttavia, può essere necessario effettuare pulizie più frequenti in funzione dell'ubicazione.
	Tubi dell'acqua	Ispezionare i tubi dell'acqua e pulirli/sostituirli se necessario.

B. Istruzioni di pulizia e disinfezione

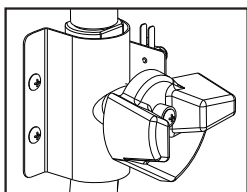
La macchina deve essere pulita e disinfettata almeno una volta all'anno. In presenza di condizioni particolari dell'acqua può essere necessario pulire e disinfettare la macchina con maggiore frequenza.

⚠ AVVERTENZA

- Per evitare incidenti alle persone e danni alla macchina, non utilizzare detergenti a base di ammoniacca.
- Seguire attentamente tutte le istruzioni fornite con i flaconi di detergente e le soluzioni disinfettanti.
- Impiegare sempre guanti impermeabili e occhiali protettivi onde evitare che soluzioni detergenti e disinfettanti possano entrare in contatto con la pelle o con gli occhi.
- Non lasciare la macchina incustodita quando i pannelli sono smontati.
- Per evitare danni alla guarnizione della pompa dell'acqua, non lasciare l'interruttore di comando in posizione "WASH" per lunghi periodi quando il serbatoio dell'acqua è vuoto.

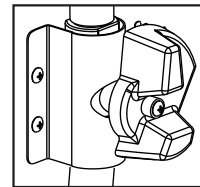
IMPORTANTE

- Durante la pulizia e la disinfezione, la valvola di pulizia viene aperta per consentire il flusso della soluzione all'interno dell'evaporatore. Tale valvola deve essere chiusa per tutte le operazioni di produzione del ghiaccio. Il compressore non funzionerà a meno che questa valvola non sia completamente chiusa.
- Per chiudere la valvola di pulizia, la maniglia della valvola deve essere ad angolo retto rispetto al corpo della valvola. Per aprire la valvola di pulizia, la maniglia della valvola deve essere parallela al corpo della valvola.



CHIUSO

Funzionamento per produzione del ghiaccio



APERTO

Operazioni di pulizia e disinfezione (consente alla soluzione di fluire all'interno dell'evaporatore)

Preparazione

- 1) Rimuovere il pannello anteriore, quindi spostare l'interruttore di comando nella posizione "OFF".
Dopo 3 minuti, spostare l'interruttore di comando nella posizione "ICE" e rimontare il pannello anteriore.
- 2) Dopo 3 minuti, rimuovere il pannello anteriore, quindi spostare l'interruttore di comando nella posizione "OFF".
- 3) Rimuovere tutto il ghiaccio dal deposito di raccolta cubetti. **AVVERTENZA! Se si trova su un'unità di distribuzione, scollegare l'alimentazione elettrica dell'unità di distribuzione dopo l'erogazione dei cubetti.**

Pulizia

- 4) Rimuovere il pannello isolante anteriore, quindi far scorrere la guida cubetti verso destra. Rimuovere il tappo in gomma e il manicotto che copre il tubo di troppopieno. Vedere Fig. 6. Svitare il tubo di troppopieno. Dopo aver scaricato il serbatoio dell'acqua, ricollegare il tubo di troppopieno. Ricollocare il tubo in gomma, il tappo di troppopieno, la guida cubetti e il pannello isolante anteriore. **AVVISO! Assicurarsi che l'O-ring sia collegato alla parte inferiore del tubo di troppopieno e prestare attenzione a non spiarlo.**
- 5) Per riempire il serbatoio dell'acqua, spostare l'interruttore di comando nella posizione "ICE", quindi rimontare il pannello anteriore. Dopo 3,5 minuti, rimuovere il pannello anteriore, quindi spostare l'interruttore di comando nella posizione "OFF".
- 6) Rimuovere il pannello isolante anteriore, quindi versare nel serbatoio dell'acqua 887 ml di Hoshizaki "Scale Away" o, come indicato, l'altro disinfettante consigliato da Hoshizaki. Ricollocare il pannello isolante anteriore. Ruotare la valvola di pulizia verso sinistra sino a quando non sarà completamente verticale (aperta).
- 7) **AVVISO! Per evitare un'eccessiva formazione di schiuma, attendere 1 minuto prima di procedere.**
Dopo 1 minuto, spostare l'interruttore di comando nella posizione "WASH" e rimontare il pannello anteriore.
- 8) Dopo 30 minuti, rimuovere il pannello anteriore, quindi spostare l'interruttore di comando nella posizione "OFF".
- 9) Rimuovere il pannello isolante anteriore, quindi far scorrere la guida cubetti verso destra. Rimuovere il tubo in gomma e il tappo di troppopieno che copre il tubo di troppopieno. Svitare il tubo di troppopieno. Dopo aver scaricato il serbatoio dell'acqua, ricollegare il tubo di troppopieno. Ricollocare il tubo in gomma, il tappo di troppopieno, la guida cubetti e il pannello isolante anteriore.
- 10) In condizioni di acqua mediocri o dura, spegnere l'alimentazione elettrica, quindi rimuovere, pulire (diluendo 40 ml di soluzione detergente Hoshizaki "Scale Away" per litro di acqua calda), sciacquare e riposizionare le guide cubetti, l'interruttore a galleggiante, i tubi di approvvigionamento dell'acqua, i tubi di spruzzatura e le guide di spruzzatura; al termine, accendere l'alimentazione elettrica. In caso contrario, proseguire con il passaggio 11.

Risciacquo di pulizia

- 11) Ruotare la valvola di pulizia verso destra sino a quando non sarà completamente orizzontale (chiusa). Spostare l'interruttore di comando nella posizione "ICE" e rimontare il pannello anteriore. Dopo 3,5 minuti, rimuovere il pannello anteriore, quindi spostare l'interruttore di comando nella posizione "OFF". Nota: la macchina non funzionerà a meno che questa valvola non sia completamente chiusa.
- 12) Ruotare la valvola di pulizia verso sinistra sino a quando non sarà completamente verticale (aperta). Spostare l'interruttore di comando nella posizione "WASH" e rimontare il pannello anteriore. Dopo 5 minuti, rimuovere il pannello anteriore, quindi spostare l'interruttore di comando nella posizione "OFF".
- 13) Rimuovere il pannello isolante anteriore, quindi far scorrere la guida cubetti verso destra. Rimuovere il tubo in gomma e il tappo di troppopieno che copre il tubo di troppopieno. Svitare il tubo di troppopieno. Dopo aver scaricato il serbatoio dell'acqua, ricollegare il tubo di troppopieno. Ricollocare il tubo in gomma, il tappo di troppopieno, la guida cubetti e il pannello isolante anteriore.

Disinfezione

- 14) Per riempire il serbatoio dell'acqua, ruotare la valvola di pulizia verso destra sino a quando non sarà completamente orizzontale (chiusa). Spostare l'interruttore di comando nella posizione "ICE" e rimontare il pannello anteriore. Dopo 3,5 minuti, rimuovere il pannello anteriore, quindi spostare l'interruttore di comando nella posizione "OFF".
- 15) Rimuovere il pannello isolante anteriore, quindi versare 50 ml di una soluzione di ipoclorito di sodio all'8,25% (candeggina a base di cloro) nel serbatoio dell'acqua. Ricollocare il pannello isolante anteriore. Ruotare la valvola di pulizia verso sinistra sino a quando non sarà completamente verticale (aperta). **IMPORTANTE! Utilizzare una candeggina normale senza additivi. L'utilizzo di una candeggina con additivi provoca un'eccessiva formazione di schiuma durante la disinfezione riducendone l'efficacia.**
- 16) **AVVISO! Per evitare un'eccessiva formazione di schiuma, attendere 1 minuto prima di procedere.**
Dopo 1 minuto, spostare l'interruttore di comando nella posizione "WASH" e rimontare il pannello anteriore.
- 17) Dopo 45 minuti, rimuovere il pannello anteriore, quindi spostare l'interruttore di comando nella posizione "OFF".
- 18) Rimuovere il pannello isolante anteriore, quindi far scorrere la guida cubetti verso destra. Rimuovere il tubo in gomma e il tappo di troppopieno che copre il tubo di troppopieno. Svitare il tubo di troppopieno. Dopo aver scaricato il serbatoio dell'acqua, ricollegare il tubo di troppopieno. Ricollocare il tubo in gomma, il tappo di troppopieno, la guida cubetti e il pannello isolante anteriore.

Risciacquo disinfettante 1

- 19) Ruotare la valvola di pulizia verso destra sino a quando non sarà completamente orizzontale (chiusa). Spostare l'interruttore di comando nella posizione "ICE" e rimontare il pannello anteriore. Dopo 3,5 minuti, rimuovere il pannello anteriore, quindi spostare l'interruttore di comando nella posizione "OFF".
- 20) Ruotare la valvola di pulizia verso sinistra sino a quando non sarà completamente verticale (aperta). Spostare l'interruttore di comando nella posizione "WASH" e rimontare il pannello anteriore. Dopo 5 minuti, rimuovere il pannello anteriore, quindi spostare l'interruttore di comando nella posizione "OFF".
- 21) Rimuovere il pannello isolante anteriore, quindi far scorrere la guida cubetti verso destra. Rimuovere il tappo in gomma e il manicotto che copre il tubo di troppopieno. Svitare il tubo di troppopieno. Dopo aver scaricato il serbatoio dell'acqua, ricollegare il tubo di troppopieno. Ricollocare il tubo in gomma, il tappo di troppopieno, la guida cubetti e il pannello isolante anteriore.

Risciacquo disinfettante 2

- 22) Ruotare la valvola di pulizia verso destra sino a quando non sarà completamente orizzontale (chiusa). Spostare l'interruttore di comando nella posizione "ICE" e rimontare il pannello anteriore. Dopo 3,5 minuti, rimuovere il pannello anteriore, quindi spostare l'interruttore di comando nella posizione "OFF".
- 23) Ruotare la valvola di pulizia verso sinistra sino a quando non sarà completamente verticale (aperta). Spostare l'interruttore di comando nella posizione "WASH" e rimontare il pannello anteriore. Dopo 5 minuti, rimuovere il pannello anteriore, quindi spostare l'interruttore di comando nella posizione "OFF".

- 24) Rimuovere il pannello isolante anteriore, quindi far scorrere la guida cubetti verso destra. Rimuovere il tubo in gomma e il tappo di troppopieno che copre il tubo di troppopieno. Svitare il tubo di troppopieno. Dopo aver scaricato il serbatoio dell'acqua, ricollegare il tubo di troppopieno. Ricollocare il tubo in gomma, il tappo di troppopieno, la guida cubetti e il pannello isolante anteriore.

Risciacquo disinfettante 3

- 25) Ruotare la valvola di pulizia verso destra sino a quando non sarà completamente orizzontale (chiusa). Spostare l'interruttore di comando nella posizione "ICE" e rimontare il pannello anteriore. Dopo 3,5 minuti, rimuovere il pannello anteriore, quindi spostare l'interruttore di comando nella posizione "OFF"
- 26) Ruotare la valvola di pulizia verso sinistra sino a quando non sarà completamente verticale (aperta). Spostare l'interruttore di comando nella posizione "WASH" e rimontare il pannello anteriore. Dopo 5 minuti, rimuovere il pannello anteriore, quindi spostare l'interruttore di comando nella posizione "OFF".
- 27) Rimuovere il pannello isolante anteriore, quindi far scorrere la guida cubetti verso destra. Rimuovere il tubo in gomma e il tappo di troppopieno che copre il tubo di troppopieno. Svitare il tubo di troppopieno. Dopo aver scaricato il serbatoio dell'acqua, ricollegare il tubo di troppopieno. Ricollocare il tubo in gomma, il tappo di troppopieno, la guida cubetti e il pannello isolante anteriore. **AVVISO! Assicurarsi che l'O-ring sia collegato alla parte inferiore del tubo di troppopieno e prestare attenzione a non spanarlo.**
- 28) Pulire la canna del deposito di raccolta cubetti con un detergente neutro. Sciacquare a fondo dopo la pulizia.
- 29) Ruotare la valvola di pulizia verso destra sino a quando non sarà completamente orizzontale (chiusa). Spostare l'interruttore di comando in posizione "ICE". Nota: se si trova su un'unità di distribuzione, accendere l'alimentazione elettrica dell'unità di distribuzione.
- 30) Ricollocare tutti i pannelli in modo corretto.

IV. Preparazione dell'apparecchiatura per i periodi di inutilizzo

ATTENZIONE

- Quando si conserva la macchina per un periodo di tempo prolungato o a temperature al di sotto dello zero, seguire le seguenti istruzioni per evitare danni all'unità.
- Per evitare danni alla guarnizione della pompa dell'acqua, non lasciare l'interruttore di comando in posizione "WASH" per lunghi periodi quando il serbatoio dell'acqua è vuoto.

In condizioni normali di funzionamento, se non si utilizza la macchina per due o tre giorni, è sufficiente portare l'interruttore di comando in posizione "OFF". Quando si conserva la macchina per un periodo di tempo prolungato o a temperature al di sotto dello zero, seguire le seguenti istruzioni.

1. Rimuovere l'acqua dalla linea di approvvigionamento dell'acqua macchina:

- 1) Spegnere l'alimentazione elettrica, quindi rimuovere il pannello anteriore.
- 2) Spostare l'interruttore di comando in posizione "OFF".
- 3) Chiudere la valvola di arresto del circuito di approvvigionamento dell'acqua della macchina, quindi aprire la valvola di scarico del circuito di approvvigionamento dell'acqua della macchina.
- 4) Lasciare che la linea scarichi per gravità.
- 5) Collegare un'alimentazione ad aria compressa o anidride carbonica alla valvola di scarico del circuito di approvvigionamento dell'acqua macchina.
- 6) Spostare l'interruttore di comando in posizione "ICE".
- 7) Ricollocare il pannello anteriore nel modo corretto, quindi accendere l'alimentazione elettrica.
- 8) Soffiare la linea di approvvigionamento dell'acqua della macchina utilizzando aria compressa o anidride carbonica.
- 9) Chiudere la valvola di scarico della linea di approvvigionamento dell'acqua della macchina.

2. Scaricare il serbatoio dell'acqua:

- 1) Spegnere l'alimentazione elettrica, quindi rimuovere il pannello anteriore. Spostare l'interruttore di comando in posizione "OFF".
- 2) Rimuovere il pannello isolante.
- 3) Far scorrere la guida cubetti verso destra, quindi rimuovere il tubo in gomma e il tappo di troppopieno che copre il tubo di troppopieno. Vedere Fig. 16. Svitare il tubo di troppopieno. Dopo aver scaricato il serbatoio dell'acqua, ricollegare il tubo di troppopieno. Ricollocare il tubo in gomma, il tappo di troppopieno e la guida cubetti in modo corretto. **AVVISO! Assicurarsi che l'O-ring sia collegato alla parte inferiore del tubo di troppopieno e prestare attenzione a non spanarlo.**
- 4) Ricollocare il pannello isolante nel modo corretto.
- 5) Rimuovere tutto il ghiaccio dal deposito di raccolta. Pulire il deposito di raccolta con un detergente neutro. Sciacquare a fondo dopo la pulizia.
- 6) Ricollocare il pannello anteriore nel modo corretto.

V. GARANZIA

Hoshizaki garantisce al proprietario o utente originario che tutti i prodotti con marchio Hoshizaki sono privi di difetti di costruzione e/o inerenti ai materiali per l'intera durata del "periodo di garanzia". La garanzia è valida per due anni dalla data di installazione.

La responsabilità di Hoshizaki secondo le condizioni della garanzia è limitata ed esclude la manutenzione di routine, la pulizia, la manutenzione essenziale e/o le riparazioni che si rendano necessarie in conseguenza di uso scorretto e di installazione non conforme alle indicazioni Hoshizaki.

Le riparazioni in garanzia devono essere eseguite da un rivenditore o da un centro di assistenza autorizzato Hoshizaki, che utilizzino componenti originali Hoshizaki.

Per ottenere informazioni complete in merito alla garanzia e al centro di assistenza autorizzato, si prega di contattare il proprio rivenditore/fornitore di fiducia, oppure l'ufficio assistenza Hoshizaki più vicino.

VI. SMALTIMENTO

Osservare le normative locali in materia di smaltimento della macchina e del gas refrigerante. Prima di smaltire la macchina, rimuovere il portello per evitare che i bambini vi possano rimanere intrappolati.

Smaltimento corretto del prodotto:

Questo simbolo indica che il prodotto non deve essere smaltito con altri rifiuti domestici all'interno dell'UE. Per evitare possibili danni all'ambiente o alla salute derivanti dallo smaltimento incontrollato dei rifiuti, riciclare il prodotto in modo responsabile per promuovere il riutilizzo sostenibile delle risorse materiali. Per restituire la macchina usata, utilizzare i sistemi di restituzione e raccolta o contattare il rivenditore presso il quale è stato acquistato il prodotto. Il prodotto sarà ritirato in vista di un riciclaggio sicuro per l'ambiente.



AVVERTENZA



L'agente schiumogeno isolante utilizzato per il corpo della macchina contiene gas ciclopentano infiammabile. Ciò premesso, smaltire il prodotto correttamente.