



HOSHIZAKI MODULAR CUBER

MODEL **IM-240DNE**
IM-240DNE-C
IM-240DNE-21,-23,-32
IM-240XNE
IM-240XNE-21,-23,-32
IM-240DSNE
IM-240DSNE-23
IM-240XSNE
IM-240XSNE-23

E1CK, E1CK-C241,-C243,-C251,-C252,-D001,-D002,-D003,-D004
-D005,-D007,-D008,-D009,-D010,-D011,-D012,-D013,-D014,-D015
-D016,-D017,-D018,-D019,-D020,-D021,-D022,-D023,-D024,-D025
-D026,-D027

PARTS LIST

[HE, GENERAL (50Hz) (60Hz), HSP, AUSTRALIA, CHINA, KOREA (60Hz)]

| | | | |
|-----|-----------|-----|-----------|
| K-1 | JUN. 2010 | C-1 | FEB. 2013 |
| A-0 | JAN. 2011 | D-0 | JAN. 2014 |
| B-0 | JAN. 2012 | E-0 | JAN. 2015 |
| B-1 | APR. 2012 | | |
| C-0 | JAN. 2013 | | |

AUXILIARY CODE

U - 1

The auxiliary code is the first two characters in the serial number. The first character indicates the production year. Years progress or regress in alphabetical order. The series of letters and skipped letters depend on UL listing, production, and model. See the auxiliary code(s) and corresponding year(s) on the front cover.

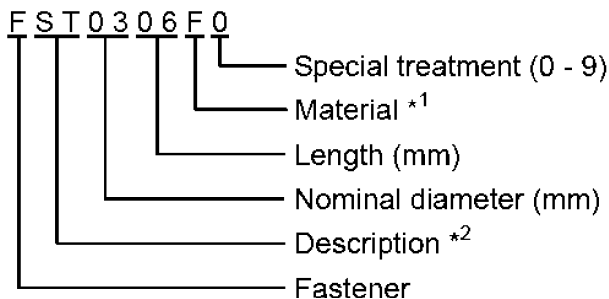
The second character indicates significant part changes within the same year. Base is "1" and this number advances for each change. If there is no significant part change at the turn of the year, this number starts from "0."

MARKS LOCATED UNDER THE AUXILIARY CODE

- = Part deleted.
- x = Part deleted and replaced by "o" part.
- o = New part in place of "x" part.

FASTENER PART NUMBER

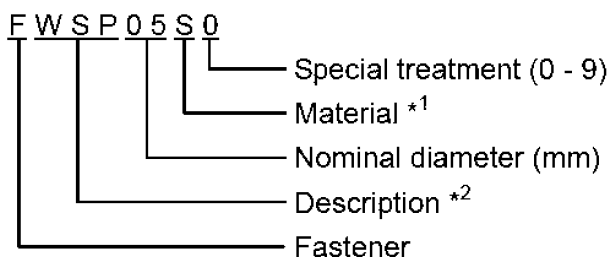
SCREWS



^{*1} Material

- F: Steel
- S: Austenitic stainless steel
- M: Martensitic stainless steel
- B: Copper alloy
- P: Polycarbonate
- N: Polyamide
- V: PVC
- A: ABS
- X: Polyacetal
- L: Aluminum

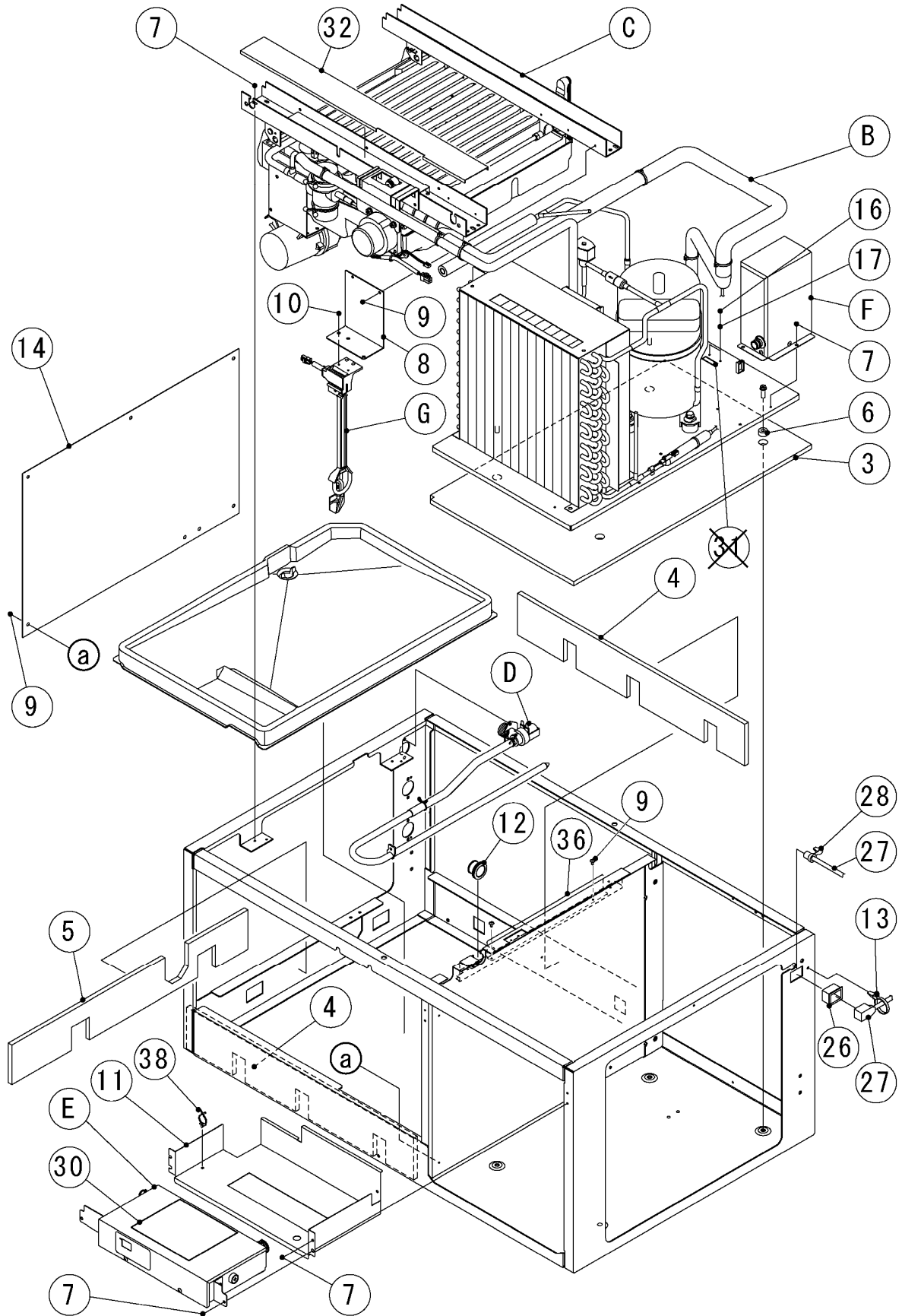
NUTS & WASHERS



^{*2} Description

- First letter
- S: Machine screw
- T: Tapping screw
- M: Wood screw
- B: Bolt
- W: Washer
- N: Nut

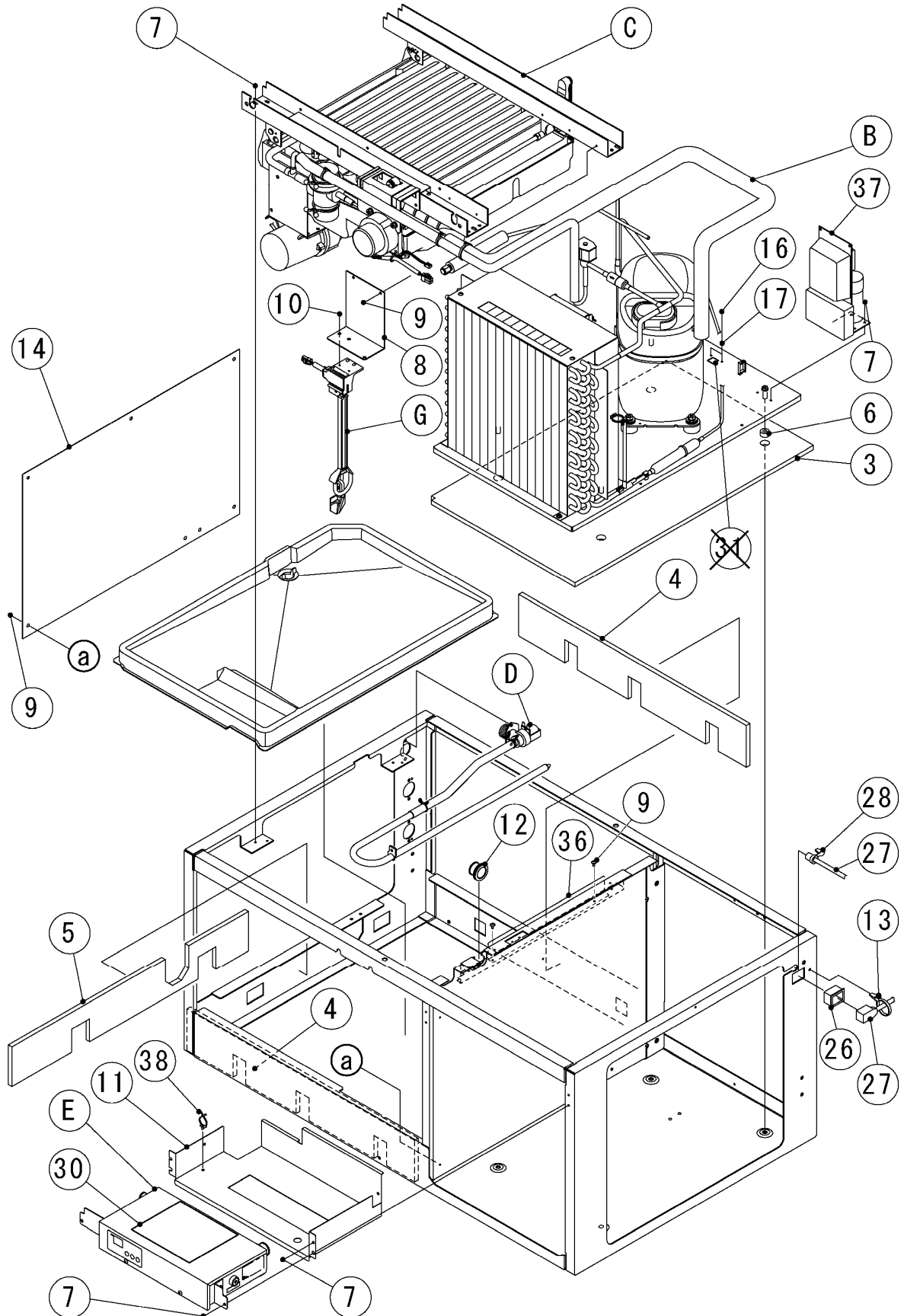
A. ICE CUBER ASSY (1/2)



IM-240DNE(-C, -21, -23, -32)
IM-240DSNE(-23)

A. ICE CUBER ASSY (1/2)

50Hz (B-1) and later
60Hz (C-1) and later

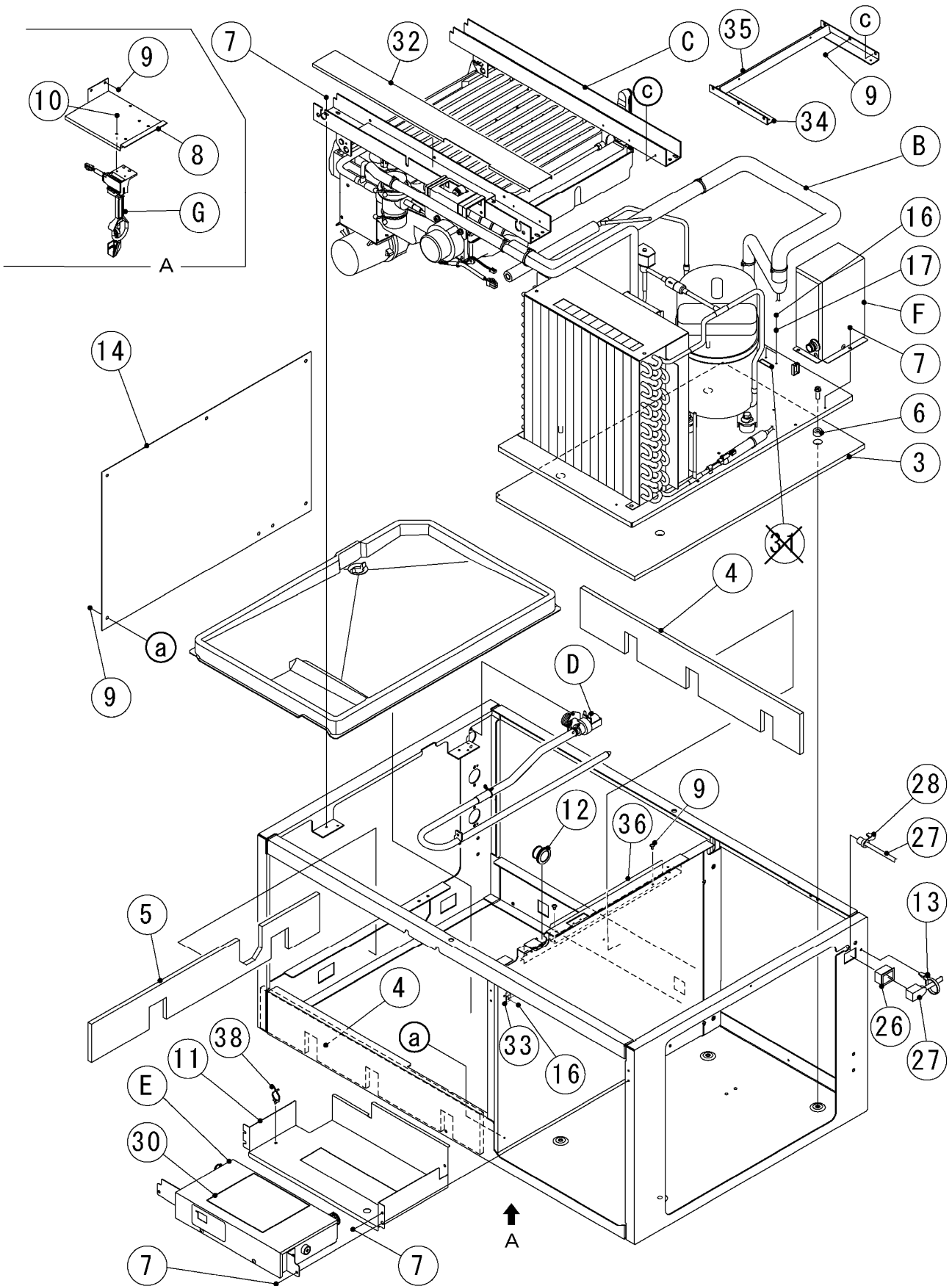


IM-240XNE(-21,-23,-32)

A. ICE CUBER ASSY (1/2)

50Hz (K-1) to (B-0)

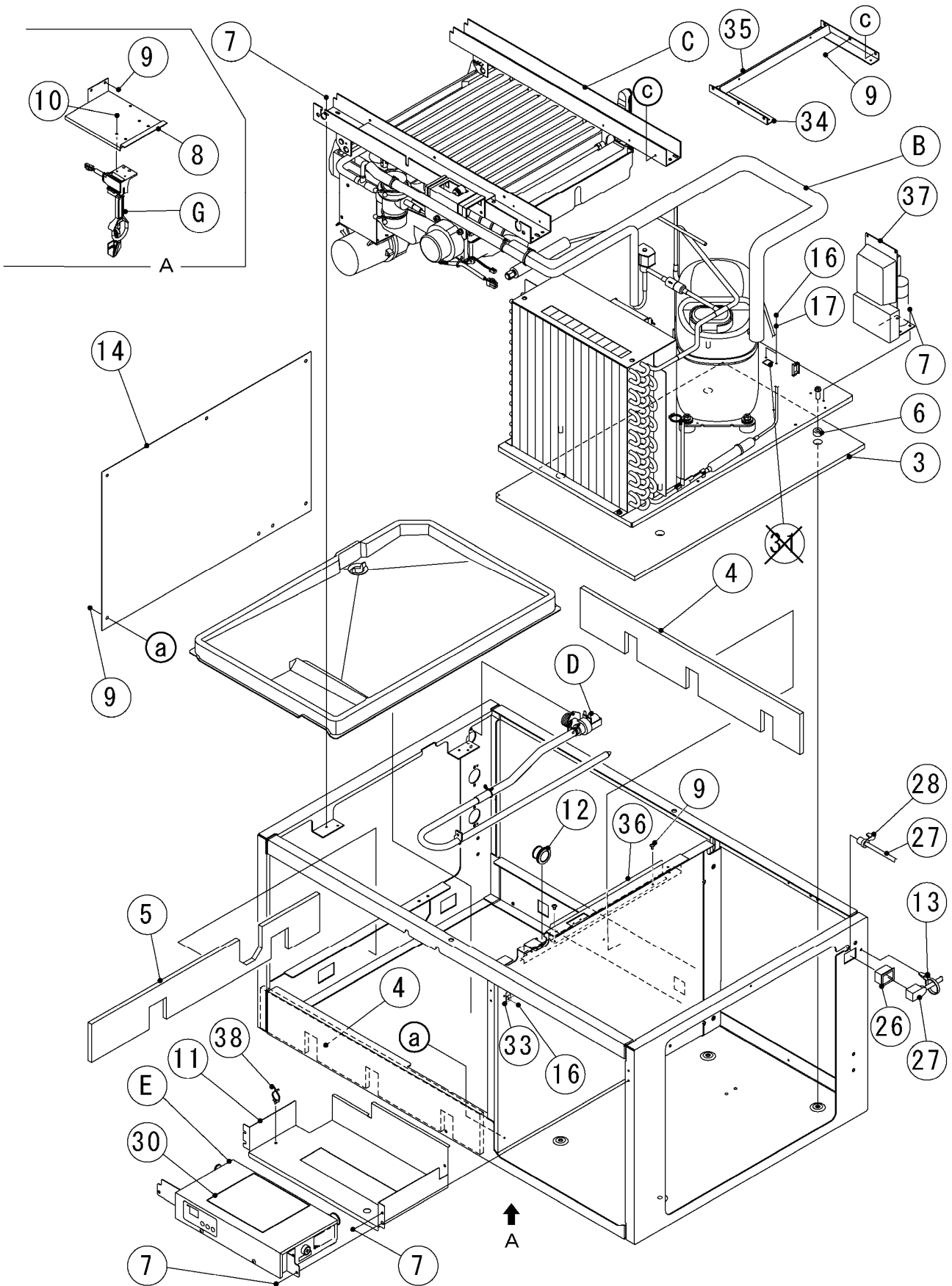
60Hz (K-1) to (C-0)



IM-240XNE(-21,-23,-32)
IM-240XSNE(-23)

A. ICE CUBER ASSY (1/2)

50Hz (B-1) and later
60Hz (C-1) and later



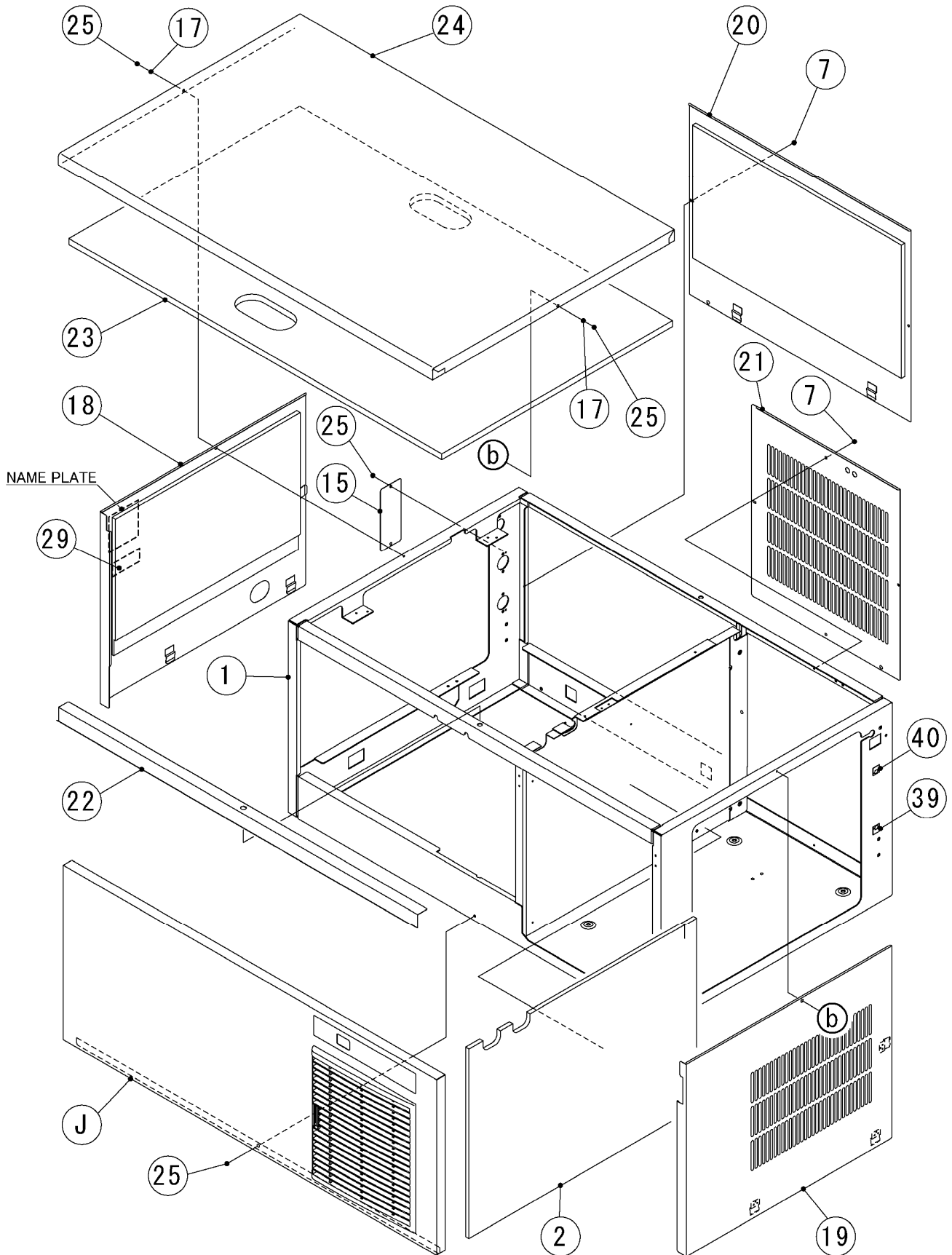
IM-240DNE(-C,-21,-23,-32)

IM-240XNE(-21,-23,-32)

IM-240DSNE(-23)

IM-240XSNE(-23)

A. ICE CUBER ASSY (2/2) (K-1) and later



HE,GENERAL(50Hz)(60Hz),HSP,AUSTRALIA,CHINA,KOREA(60Hz)

| MODEL : IM-240DNE(-C,-21,-23,-32) IM-240XNE(-21,-23,-32) IM-240DSNE(-23) IM-240XSNE(-23) | | | | | | | |
|---|-------------------------|--|-------------|----------------|------------|------------|----------------|
| TITLE : A. ICE CUBER ASSY | | | | | | | |
| INDEX NO. | DESCRIPTION | MATERIAL OR MODEL NUMBER | PART NUMBER | REQ'D NUMBER | | | |
| | | | | K-1,A-0 B-0 | B-1 B-2 | B-3 C-0 | C-1,D-0 E-0 |
| B | REFRIGERATION ASSY | (50Hz) (EXCEPT 240DNE-C) | 1H4668A01 | 1 | - | - | - |
| | | | 1H5184A01 | - | 1 | 1 | 1 |
| | | (60Hz) | 1H4668A01 | 1 | 1 | 1 | - |
| | | | 1H5184A01 | - | - | - | 1 |
| | | (240DNE-C) | 1H4690A01 | 1 | - | - | - |
| | | | 1H5229A01 | - | 1 | 1 | 1 |
| (240DSNE,-23) (240XSNE,-23) | 1H5295A01 | | | | 1 | | |
| C | MECHANISM ASSY | - | 1H4669A01 | 1 | 1 | 1 | 1 |
| | | (240DNE-C) | 1H4679A01 | 1 | 1 | 1 | 1 |
| D | WATER CIRCUIT ASSY | - | 2H9942A01 | 1 | 1 | 1 | 1 |
| E | CONTROL BOX ASSY | (50Hz) | 2H9968A01 | 1 | - | - | - |
| | | | 2X1162A01 | - | 1 | 1 | 1 |
| | | (60Hz) | 2H9968A01 | 1 | 1 | 1 | - |
| | | | 2X1162A01 | - | - | - | 1 |
| | | (240DSNE,-23) (240XSNE,-23) | 2X1501A01 | - | - | - | 1 |
| F | CONTROL BOX B - ASSY | (50Hz) | 3Y5105A01 | 1 | - | - | - |
| | | (60Hz) | | 1 | 1 | 1 | - |
| G | BIN SWITCH ASSY | (240DNE,-C,-21,-23,-32) (240DSNE,-23) | 3Y5222A01 | 1 | 1 | 1 | 1 |
| | | (240XNE,-21,-23,-32) (240XSNE,-23) | 3Y5244A01 | 1 | 1 | 1 | 1 |
| J | FRONT COVER | (50Hz) | 2H9946A01 | 1 | - | - | - |
| | | | 2X1164A01 | - | 1 | 1 | 1 |
| | | (60Hz) | 2H9946A01 | 1 | 1 | 1 | - |
| | | | 2X1164A01 | - | - | - | 1 |
| (240DSNE,-23) (240XSNE,-23) | 2X1168A01 | - | - | - | 1 | | |
| 1 | UNIT FRAME | - | 1H4667G01 | 1 | 1 | 1 | 1 |
| | | (240DSNE,-23) (240XSNE,-23) | 1H4667G02 | - | - | - | 1 |
| | | (SUS316) | 1H5205G01 | - | 1 | 1 | 1 |
| 2 | INSULATION - SEPARATOR | - | 3Y5008P01 | 1 | 1 | 1 | 1 |
| 3 | INSULATION - CHASSIS | - | 4Y6574P01 | 1 | 1 | 1 | 1 |
| 4 | INSULATION - FRAME | - | 4Y5945P01 | 2 | 2 | 2 | 2 |
| 5 | INSULATION - SIDEFAME L | - | 4Y5944P01 | 1 | 1 | 1 | 1 |

HE,GENERAL(50Hz)(60Hz),HSP,AUSTRALIA,CHINA,KOREA(60Hz)

| MODEL : IM-240DNE(-C,-21,-23,-32) IM-240XNE(-21,-23,-32) IM-240DSNE(-23) IM-240XSNE(-23) | | | | | | | | TITLE : A. ICE CUBER ASSY | | | |
|---|-----------------------------------|---|-------------|----------------|------------|------------|----------------|---------------------------|--|--|--|
| INDEX NO. | DESCRIPTION | MATERIAL OR MODEL NUMBER | PART NUMBER | REQ'D NUMBER | | | | | | | |
| | | | | K-1,A-0 B-0 | B-1 B-2 | B-3 C-0 | C-1,D-0 E-0 | | | | |
| 6 | COLLAR | - | 4H8163-01 | 4 | 4 | 4 | 4 | | | | |
| 7 | FLANGE BOLT (S-TITE) | - | FTR0408M0 | 18 | 18 | 18 | 18 | | | | |
| 8 | BRACKET - BIN CONTROL SWITCH | (240DNE,-C,-21,-23,-32) (240DSNE,-23) | 4Y7486M01 | 1 | 1 | 1 | 1 | | | | |
| | | (240XNE,-21,-23,-32) (240XSNE,-23) | 4Y5943M01 | 1 | 1 | 1 | 1 | | | | |
| 9 | TRUSS HEAD TAPPING SCREW T2 | (240DNE,-C,-21,-23,-32) (240DSNE,-23) | FT20408S0 | 9 | 9 | 9 | 9 | | | | |
| | | (240XNE,-21,-23,-32) (240XSNE,-23) | | 15 | 15 | 15 | 15 | | | | |
| 10 | TRUSS HEAD TAPPING SCREW T2 | - | FT20412S0 | 2 | 2 | 2 | 2 | | | | |
| 11 | UNIT BOX | - | 2H9970M01 | 1 | 1 | 1 | 1 | | | | |
| 12 | GROMMET | - | 4H2568-01 | 1 | 1 | 1 | 1 | | | | |
| 13 | PUSH MOUNT TIE | T30RSF | 436156-01 | 1 | 1 | 1 | 1 | | | | |
| 14 | PROTECTOR - SEPARATOR | (50Hz) | 3Y4267P01 | 1 | - | - | - | | | | |
| | | (60Hz) | | 1 | 1 | 1 | - | | | | |
| | | (240DSNE,-23) (240XSNE,-23) | | - | - | - | 1 | | | | |
| 15 | PLATE | - | 4Y2479-01 | 1 | 1 | 1 | 1 | | | | |
| 16 | TRUSS HEAD MACHINE SCREW | (240DNE,-C,-21,-23,-32) (240DSNE,-23) | FST0408S0 | 2 | 2 | 2 | 2 | | | | |
| | | (240XNE,-21,-23,-32) (240XSNE,-23) | | 3 | 3 | 3 | 3 | | | | |
| 17 | SPRING WASHER | - | FWSP04S0 | 4 | 4 | 4 | 4 | | | | |
| 18 | SIDE PANEL - L | - | 3Y5012G01 | 1 | 1 | 1 | 1 | | | | |
| 19 | SIDE PANEL - R | - | 3Y5013G01 | 1 | 1 | 1 | 1 | | | | |
| 20 | REAR PANEL | - | 3Y5016G01 | 1 | 1 | 1 | 1 | | | | |
| 21 | REAR PANEL R | - | 3Y5018M01 | 1 | 1 | 1 | 1 | | | | |
| 22 | HOOK - TOP PANEL | - | 3Y5019M01 | 1 | 1 | 1 | 1 | | | | |
| 23 | INSULATION - TOP PANEL | (240DNE,-C,-21,-23,-32) (240DSNE,-23) (240XSNE,-23) | 3H9603-01 | 1 | 1 | 1 | 1 | | | | |
| 24 | TOPPANEL | (240DNE,-C,-21,-23,-32) (240DSNE,-23) (240XSNE,-23) | 1H4725M01 | 1 | 1 | 1 | 1 | | | | |
| 25 | TRUSS HEAD TAPPING SCREW (S-TITE) | - | FTS0408M0 | 5 | 5 | 5 | 5 | | | | |
| 26 | CONNECTOR | - | P00246-01 | 1 | 1 | 1 | 1 | | | | |

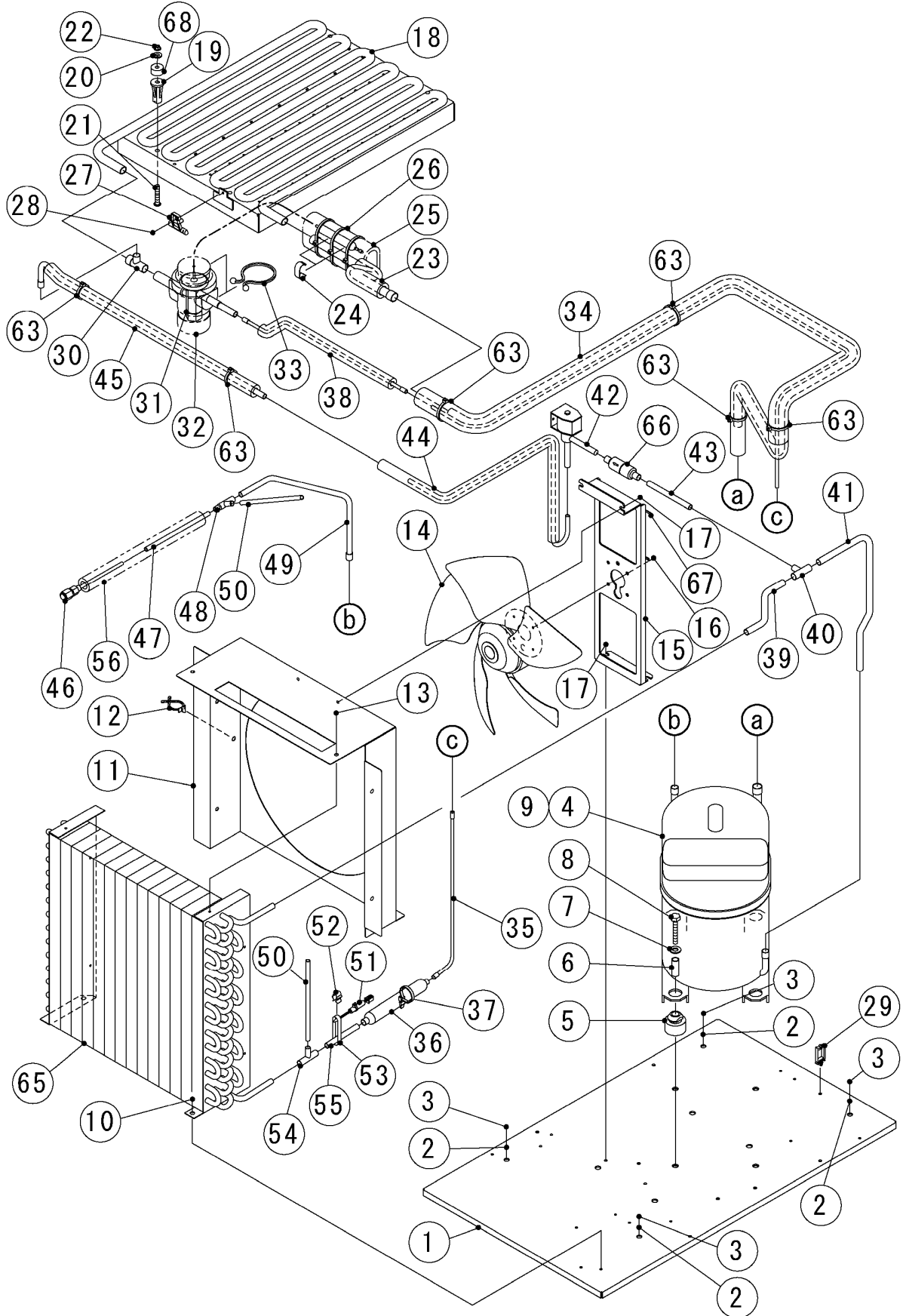
HE,GENERAL(50Hz)(60Hz),HSP,AUSTRALIA,CHINA,KOREA(60Hz)

| MODEL : IM-240DNE(-C,-21,-23,-32) IM-240XNE(-21,-23,-32) IM-240DSNE(-23) IM-240XSNE(-23) | | | | | | | |
|---|------------------------|---------------------------------------|-------------|----------------|------------|------------|----------------|
| TITLE : A. ICE CUBER ASSY | | | | | | | |
| INDEX NO. | DESCRIPTION | MATERIAL OR MODEL NUMBER | PART NUMBER | REQ'D NUMBER | | | |
| | | | | K-1,A-0 B-0 | B-1 B-2 | B-3 C-0 | C-1,D-0 E-0 |
| 27 | POWER SUPPLY CORD | EU-PLUG(16A) | P03362-01 | 1 | 1 | 1 | 1 |
| | | UK-PLUG(13A) | P03363-01 | 1 | 1 | 1 | 1 |
| | | AS-PLUG(15A) | P03364-01 | 1 | 1 | 1 | 1 |
| | POWER CORD | (CHINA) | P02215-01 | 1 | 1 | 1 | 1 |
| | POWER CORD | (240DSNE,-23) (240XSNE,-23) | 450203-01 | - | - | - | 1 |
| | | | P00243-01 | - | - | - | 1 |
| P00244-01 | | | - | - | - | 1 | |
| 28 | BUSHING | (AUSTRALIA) | 450414-01 | 1 | 1 | 1 | 1 |
| | | (240DSNE-23) (240XSNE,-23) | 448949-01 | - | - | - | 1 |
| 29 | LABEL - COMMERCIAL | (CHINA) | 475135L01 | 1 | 1 | 1 | 1 |
| 30 | WIRING LABEL | (50Hz) | 3Y5103L01 | 1 | - | - | - |
| | | | 3Y6692L01 | - | 1 | 1 | 1 |
| | | (60Hz) | 3Y5103L01 | 1 | 1 | 1 | - |
| | | | 3Y6692L01 | - | - | - | 1 |
| | | (240DSNE,-23) (240XSNE,-23) | 3Y7269L01 | - | - | - | 1 |
| 31 | LABEL - GROUND | (50Hz) | 451712-01 | 1 | - | - | - |
| | LABEL - GROUND (B) | | 450452-02 | - | - | - | - |
| | LABEL - GROUND | (60Hz) | 451712-01 | 1 | 1 | 1 | - |
| | LABEL - GROUND (B) | | 450452-02 | - | - | - | - |
| 32 | GUIDE - CONNECTOR | (240XNE,-21,-23,-32) (240XSNE,-23) | 312762-01 | 1 | 1 | 1 | 1 |
| 33 | CLAMP | (240XNE,-21,-23,-32) (240XSNE,-23) | 418814-06 | 1 | 1 | 1 | 1 |
| 34 | PLATE-ICE SHOOT | (240XNE,-21,-23,-32) (240XSNE,-23) | 4Y8197M01 | 2 | 2 | 2 | 2 |
| 35 | BRACKET | (240XNE,-21,-23,-32) (240XSNE,-23) | 426049-01 | 1 | 1 | 1 | 1 |
| 36 | COVER-UNIT | - | 3Y6093M01 | 1 | 1 | 1 | 1 |
| 37 | STARTING DEVICE | (50Hz) | P01856-01 | - | 1 | 1 | 1 |
| | | (60Hz) | P02887-01 | - | - | - | 1 |
| 38 | CLAMP | | 427902-02 | 1 | 1 | 1 | 1 |
| 39 | LABEL (A) - CONNECTION | (240DSNE,-23) (240XSNE,-23) | 420743-01 | - | - | - | 1 |
| 40 | LABEL (B) - CONNECTION | (240DSNE,-23) (240XSNE,-23) | 420743-02 | - | - | - | 1 |

HE, GENERAL, HSP, AUSTRALIA, CHINA
IM-240DNE (-21, -23, -32)
IM-240XNE (-21, -23, -32)

B. REFRIGERATION ASSY

50Hz (K-1) to (B-0)
60Hz (K-1) to (C-0)

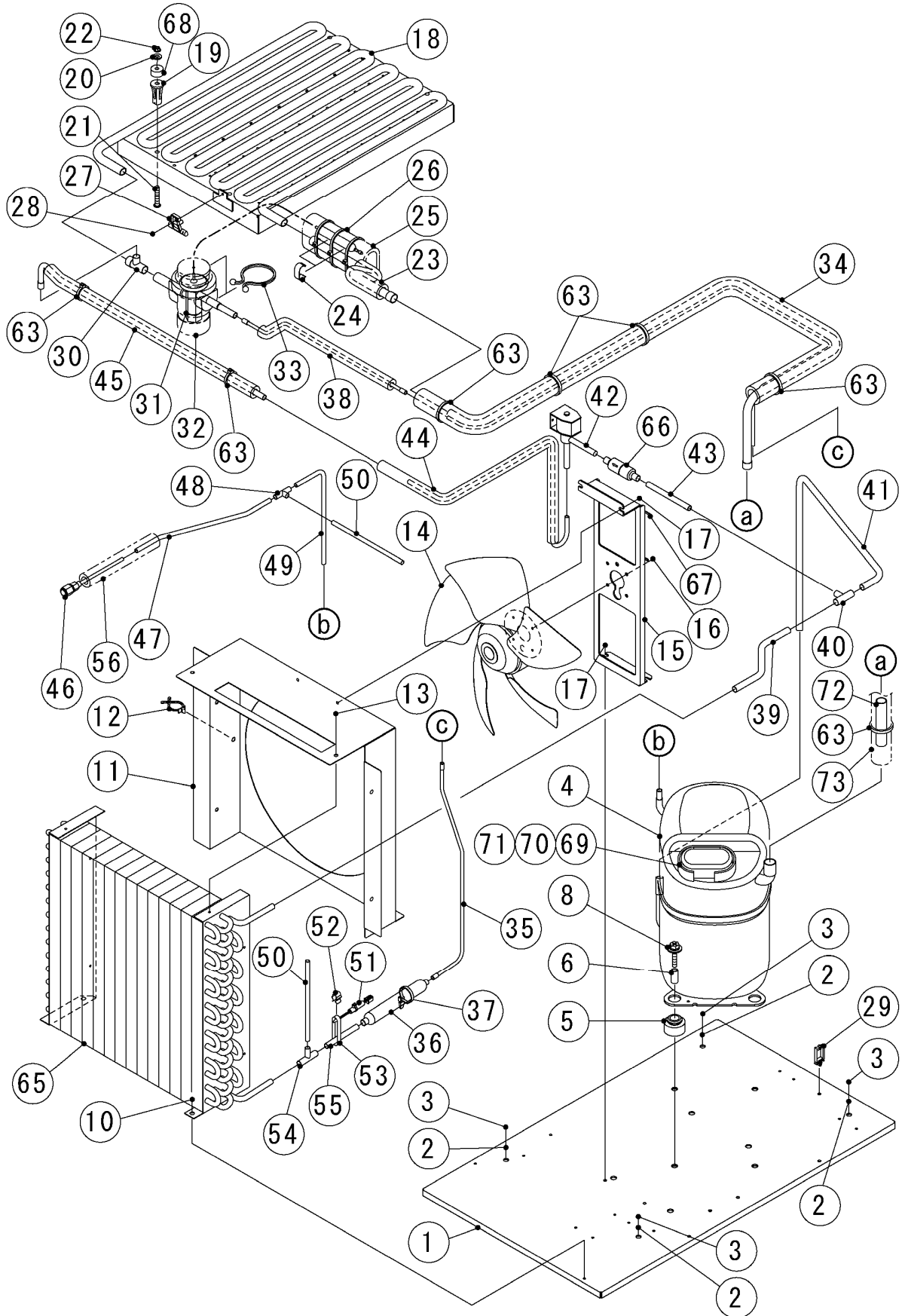


HE, GENERAL (50Hz), HSP, AUSTRALIA, CHINA
IM-240DNE (-21, -23, -32)
IM-240XNE (-21, -23, -32)

(50Hz)

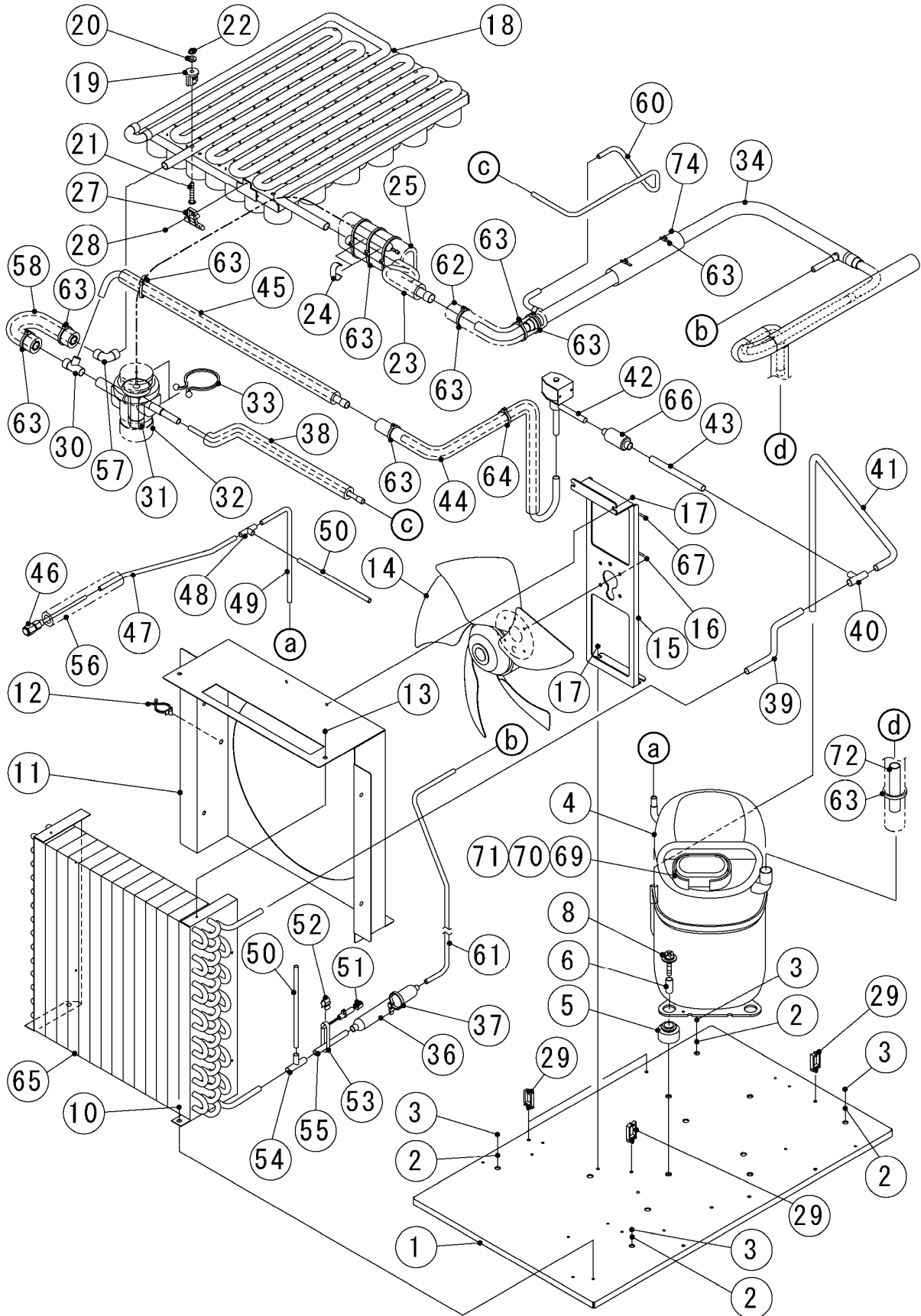
B. REFRIGERATION ASSY

(B-1) and later

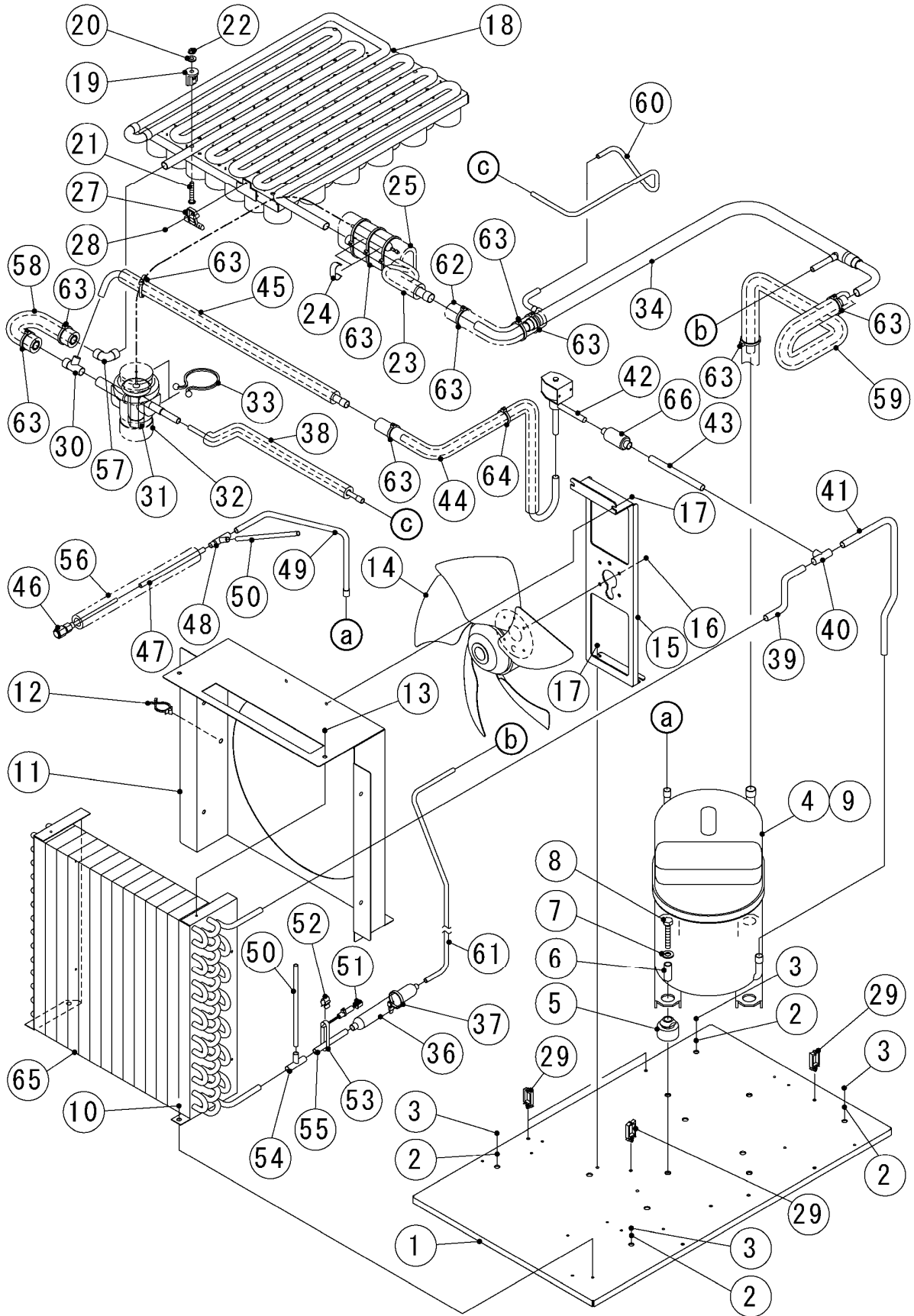


HE, GENERAL (60Hz), HSP, AUSTRALIA, CHINA
IM-240DNE (-21, -23, -32)
IM-240XNE (-21, -23, -32)
(60Hz)

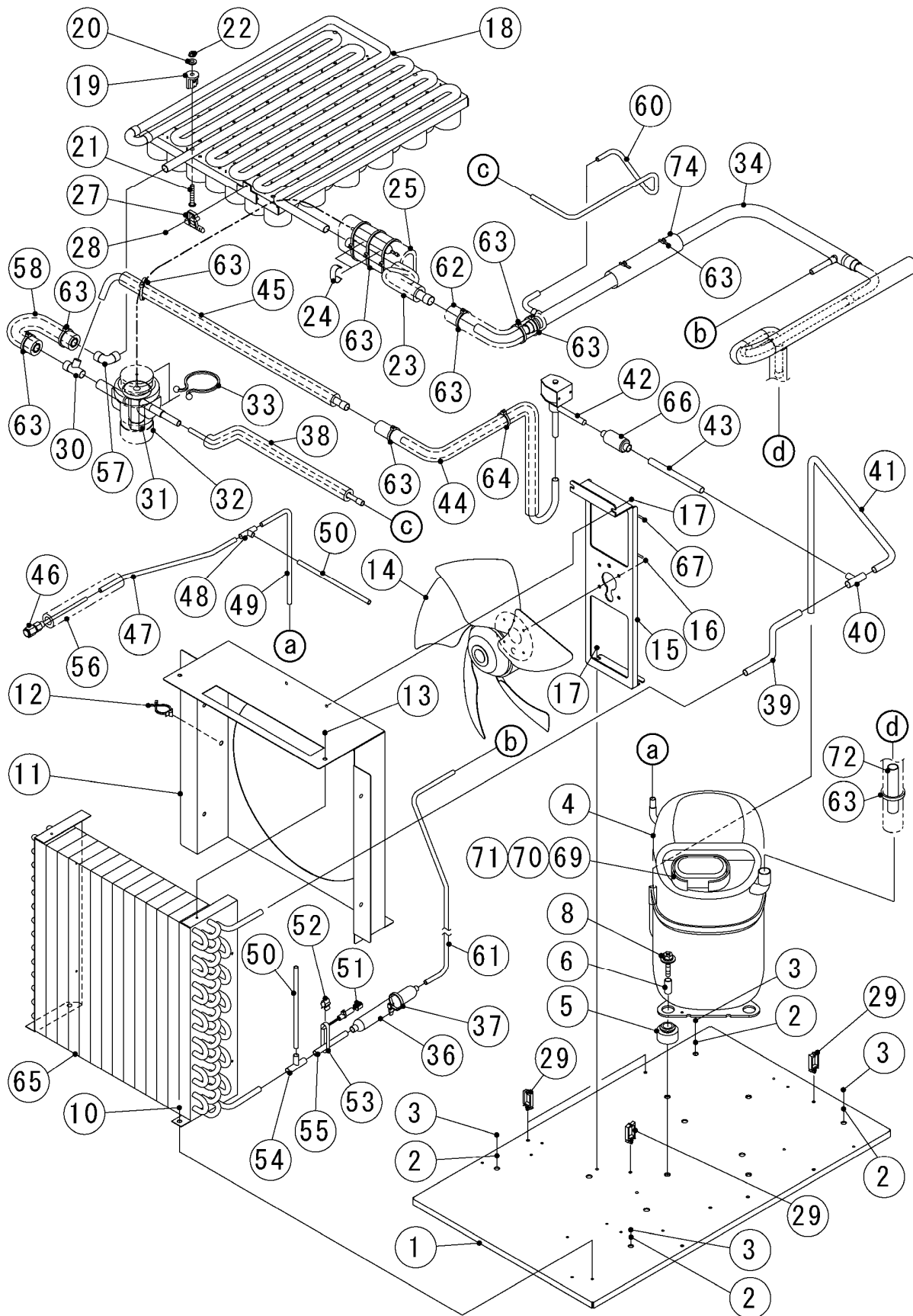
B. REFRIGERATION ASSY (C-1) and later



IM-240DNE-C B. REFRIGERATION ASSY (K-1) to (B-0)



IM-240DNE-C B. REFRIGERATION ASSY (B-1) and later



| MODEL : IM-240DNE(-C,-21,-23,-32) IM-240XNE(-21,-23,-32) | | | | | | | | TITLE : B. REFRIGERATION ASSY | | | | | | | |
|---|---|-----------------------------------|-------------|----------------|------------|------------|----------------|-------------------------------|--|--|--|--|--|--|--|
| INDEX NO. | DESCRIPTION | MATERIAL OR MODEL NUMBER | PART NUMBER | REQ'D NUMBER | | | | | | | | | | | |
| | | | | K-1,A-0 B-0 | B-1 B-2 | B-3 C-0 | C-1,D-0 E-0 | | | | | | | | |
| 1 | BASE | (50Hz) | 3Y5023G01 | 1 | - | - | - | | | | | | | | |
| | | | 3Y6693G01 | - | 1 | 1 | 1 | | | | | | | | |
| 2 | FLAT WASHER | - | FWPL06N0 | 4 | 4 | 4 | 4 | | | | | | | | |
| 3 | HEX HEAD BOLT | - | FBH0620S0 | 4 | 4 | 4 | 4 | | | | | | | | |
| 4 | COMPRESSOR | (50Hz) | 4A1581-01 | 1 | - | - | - | | | | | | | | |
| | | | P01855-01 | - | 1 | 1 | 1 | | | | | | | | |
| 5 | GROMMET | (50Hz) | 434922-02 | 4 | - | - | - | | | | | | | | |
| | RUBBER GROMMET | | P01858-01 | - | 4 | 4 | 4 | | | | | | | | |
| 6 | SPACER | (50Hz) | 434921-01 | 4 | - | - | - | | | | | | | | |
| | SLEEVE | | P01859-01 | - | 4 | 4 | 4 | | | | | | | | |
| 7 | FLAT WASHER | - | FWPL08F0 | - | - | - | - | | | | | | | | |
| 8 | BOLT | (50Hz) | 436206-04 | 4 | - | - | - | | | | | | | | |
| | | | 436206-03 | - | 4 | 4 | 4 | | | | | | | | |
| 9 | MOTOR PROTECTOR | (50Hz) | 4A1581F01 | 1 | - | - | - | | | | | | | | |
| 10 | FLANGE BOLT (S-TITE) | - | FTR0408M0 | 2 | 2 | 2 | 2 | | | | | | | | |
| 11 | SHROUD | - | 2H9947M01 | 1 | 1 | 1 | 1 | | | | | | | | |
| 12 | CLAMP | No.2674 | 427902-02 | 1 | 1 | 1 | 1 | | | | | | | | |
| 13 | TRUSS HEAD TAPPING SCREW T2 | - | FT20408F0 | 6 | 6 | 6 | 6 | | | | | | | | |
| 14 | FAN MOTOR | A4E300-AS72-01 | P02545-01 | 1 | 1 | 1 | 1 | | | | | | | | |
| 15 | BRACKET - FM | - | 3Y5075M01 | 1 | 1 | 1 | 1 | | | | | | | | |
| 16 | HEX HEAD BOLT (SPRING WASHER AND FLAT WASHER) | - | FBK0408F0 | 5 | 5 | 5 | 5 | | | | | | | | |
| 17 | HEX HEAD BOLT (SPRING WASHER AND FLAT WASHER) | - | FBK0508F0 | 4 | 4 | 4 | 4 | | | | | | | | |
| 18 | EVAPORATOR | (240DNE,XNE) | 2H7526G02 | 1 | 1 | 1 | 1 | | | | | | | | |
| | | (240DNE-C) | 2H9949G01 | 1 | 1 | 1 | 1 | | | | | | | | |
| | | (240DNE-21,XNE-21) | 208205G04 | 1 | 1 | 1 | 1 | | | | | | | | |
| | | (240DNE-23,XNE-23) | 2H1833G03 | 1 | 1 | 1 | 1 | | | | | | | | |
| | | (240DNE-32,XNE-32) | 2H3631G02 | 1 | 1 | 1 | 1 | | | | | | | | |
| 19 | COLLAR | | 3H3879-01 | 4 | 4 | 4 | 4 | | | | | | | | |
| | SPACER | (240DNE-C) | 4H0471-01 | 4 | 4 | 4 | 4 | | | | | | | | |
| 20 | WASHER | - | 4H0777-01 | 4 | 4 | 4 | 4 | | | | | | | | |
| 21 | SCREW EVAPORATOR | (240DNE,DNE-32, 240XNE,XNE-32) | 4Y4922M02 | 4 | 4 | 4 | 4 | | | | | | | | |
| | | (240DNE-C) | 4Y4922M01 | 4 | 4 | 4 | 4 | | | | | | | | |
| | | 240DNE-21,-23, 240XNE-21,-23 | 4Y4922M03 | 4 | 4 | 4 | 4 | | | | | | | | |

| MODEL : IM-240DNE(-C,-21,-23,-32) IM-240XNE(-21,-23,-32) | | | | | | | | TITLE : B. REFRIGERATION ASSY | | | | | | | |
|---|-----------------------------------|--------------------------|-------------|----------------|------------|------------|----------------|-------------------------------|--|--|--|--|--|--|--|
| INDEX NO. | DESCRIPTION | MATERIAL OR MODEL NUMBER | PART NUMBER | REQ'D NUMBER | | | | | | | | | | | |
| | | | | K-1,A-0 B-0 | B-1 B-2 | B-3 C-0 | C-1,D-0 E-0 | | | | | | | | |
| 22 | FLANGE NUT | - | FNHF06S0 | 4 | 4 | 4 | 4 | | | | | | | | |
| 23 | PIPE(B) - LOW SIDE | - | 4Y6625G01 | 1 | 1 | 1 | 1 | | | | | | | | |
| 24 | CLIP | - | 452254-02 | 2 | 2 | 2 | 2 | | | | | | | | |
| 25 | INSULATION | - | 4X8643-01 | 1 | 1 | 1 | 1 | | | | | | | | |
| 26 | NYLON TIE | (240DNE) | 7920-0002 | 3 | 3 | 3 | 3 | | | | | | | | |
| 27 | HOLDER - THERMISTOR | - | 3H9642-01 | 1 | 1 | 1 | 1 | | | | | | | | |
| 28 | TRUSS HEAD TAPPING SCREW (S-TITE) | - | FTS0408M0 | 1 | 1 | 1 | 1 | | | | | | | | |
| 29 | WIRE SADDLE | - | 428060-02 | 1 | 1 | 1 | 1 | | | | | | | | |
| 30 | TEE | - | 430608-01 | 1 | 1 | 1 | 1 | | | | | | | | |
| 31 | EXPANSION VALVE | FRE-10NHD-3 | P01874-01 | 1 | 1 | 1 | 1 | | | | | | | | |
| 32 | VALVE COVER | - | 3Y3051P01 | 1 | 1 | 1 | 1 | | | | | | | | |
| 33 | CLAMP | 18T6 | P00752-01 | 2 | 2 | 2 | 2 | | | | | | | | |
| 34 | HEAT EXCHANGER | (50Hz) | 2X0035G01 | 1 | - | - | - | | | | | | | | |
| | | | 2X1147G01 | - | 1 | 1 | 1 | | | | | | | | |
| | | (240DNE-C) | 3Y3207G01 | 1 | 1 | 1 | 1 | | | | | | | | |
| 35 | PIPE(C-2) - HIGH SIDE | (50Hz) | 4Y6694M01 | 1 | - | - | - | | | | | | | | |
| | PIPE(B)-HIGH SIDE | (EXCEPT 240DNE-C) | 4Y7777M01 | - | 1 | 1 | 1 | | | | | | | | |
| 36 | DRIER | - | P00026-01 | 1 | 1 | 1 | 1 | | | | | | | | |
| 37 | TIE | | 457167-01 | 1 | 1 | 1 | 1 | | | | | | | | |
| 38 | PIPE(C) - HIGH SIDE | | 3Y5067G01 | 1 | 1 | 1 | 1 | | | | | | | | |
| | | (240DNE-C) | 3Y5074G01 | 1 | 1 | 1 | 1 | | | | | | | | |
| 39 | PIPE(B) - HIGH SIDE | (50Hz) | 4Y6691M01 | 1 | - | - | - | | | | | | | | |
| | | | 4Y7778M01 | - | 1 | 1 | 1 | | | | | | | | |
| 40 | TEE | - | 420041-09 | 1 | 1 | 1 | 1 | | | | | | | | |
| | | (240DNE-C) | 417394-02 | 1 | 1 | 1 | 1 | | | | | | | | |
| 41 | PIPE(A) - HIGH SIDE | (50Hz) | 4Y6693M01 | 1 | - | - | - | | | | | | | | |
| | | | 3Y6687M01 | - | 1 | 1 | 1 | | | | | | | | |
| 42 | HOT GAS VALVE | ATS-7S23HD-1 | P01871-01 | 1 | 1 | 1 | 1 | | | | | | | | |
| 43 | PIPE(A) - HOT GAS | - | 4Y6692M01 | 1 | 1 | 1 | 1 | | | | | | | | |
| | | (240DNE-C) | 4Y6626M02 | 1 | 1 | 1 | 1 | | | | | | | | |
| 44 | PIPE(B) - HOT GAS | - | 3Y5135G01 | 1 | 1 | 1 | 1 | | | | | | | | |
| | | (240DNE-C) | 3Y5150G01 | 1 | 1 | 1 | 1 | | | | | | | | |
| 45 | PIPE(C) - HOT GAS | - | 3Y5069G01 | 1 | 1 | 1 | 1 | | | | | | | | |
| | | (240DNE-C) | 3Y5073G01 | 1 | 1 | 1 | 1 | | | | | | | | |

| MODEL : IM-240DNE(-C,-21,-23,-32) IM-240XNE(-21,-23,-32) | | | | | | | | TITLE : B. REFRIGERATION ASSY | | | | | | | |
|---|------------------------|--------------------------|-------------|----------------|------------|------------|----------------|-------------------------------|--|--|--|--|--|--|--|
| INDEX NO. | DESCRIPTION | MATERIAL OR MODEL NUMBER | PART NUMBER | REQ'D NUMBER | | | | | | | | | | | |
| | | | | K-1,A-0 B-0 | B-1 B-2 | B-3 C-0 | C-1,D-0 E-0 | | | | | | | | |
| 46 | ACCESS VALVE | - | 455119-01 | 1 | 1 | 1 | 1 | | | | | | | | |
| 47 | PIPE(B) - PROCESS | (50Hz) | 4Y6621M01 | 1 | - | - | - | | | | | | | | |
| | | | 4Y7779M01 | - | 1 | 1 | 1 | | | | | | | | |
| 48 | TEE | (50Hz) | 420041-03 | 1 | - | - | - | | | | | | | | |
| | | | 417394-01 | - | 1 | 1 | 1 | | | | | | | | |
| 49 | PIPE(A) - PROCESS | (50Hz) | 4Y6651M01 | 1 | - | - | - | | | | | | | | |
| | | | 4Y7780M01 | - | 1 | 1 | 1 | | | | | | | | |
| 50 | PROCESS TUBE | - | 4Y0273-01 | 2 | 2 | 2 | 2 | | | | | | | | |
| 51 | THERMISTOR(G) - FILTER | - | 4Y4859G01 | 1 | 1 | 1 | 1 | | | | | | | | |
| 52 | CLIP - THERMISTOR | - | 4R2938-01 | 1 | 1 | 1 | 1 | | | | | | | | |
| 53 | ALUMINUM TAPE | (50Hz) | 1H4668-01 | 1 | - | - | - | | | | | | | | |
| | | | 1H5184Z01 | - | 1 | 1 | 1 | | | | | | | | |
| | | (240DNE-C) | 1H5229-01 | - | 1 | 1 | 1 | | | | | | | | |
| 54 | TEE | - | 420041-02 | 1 | 1 | 1 | 1 | | | | | | | | |
| 55 | PIPE(F) - HIGH SIDE | - | 4Y6750M01 | 1 | 1 | 1 | 1 | | | | | | | | |
| 56 | INSULATION TUBE | (50Hz) | H71323250 | 1 | - | - | - | | | | | | | | |
| | | | H71323150 | - | 1 | 1 | 1 | | | | | | | | |
| 57 | ELBOW | (240DNE-C) | 417395-03 | 1 | 1 | 1 | 1 | | | | | | | | |
| 58 | CONNECT PIPE | (240DNE-C) | 4Y6781G01 | 1 | 1 | 1 | 1 | | | | | | | | |
| 59 | PIPE(A)-LOW SIDE | (240DNE-C) | 3Y5099G01 | 1 | - | - | - | | | | | | | | |
| | | | 3Y6825G01 | - | 1 | 1 | 1 | | | | | | | | |
| 60 | PIPE(E) - HIGH SIDE | (240DNE-C) | 4Y6627M01 | 1 | 1 | 1 | 1 | | | | | | | | |
| 61 | PIPE(D) - HIGH SIDE | (240DNE-C) | 3Y5072M01 | 1 | - | - | - | | | | | | | | |
| | | | 3Y5072M02 | - | 1 | 1 | 1 | | | | | | | | |
| 62 | INSULATION TUBE | (240DNE-C) | H72030B20 | 1 | 1 | 1 | 1 | | | | | | | | |
| 63 | TIE | - | 7920-0003 | 6 | 6 | 6 | 6 | | | | | | | | |
| | | (240DNE-C) | 7920-0003 | 12 | 13 | 13 | 13 | | | | | | | | |
| 64 | NYLON TIE | (240DNE-C) | 7920-0010 | 1 | 1 | 1 | 1 | | | | | | | | |
| 65 | CONDENSER | - | P03307-01 | 1 | 1 | 1 | 1 | | | | | | | | |
| | | (CHINA) | P01875-01 | 1 | 1 | 1 | 1 | | | | | | | | |
| 66 | STRAINER | - | P00812-01 | 1 | 1 | 1 | 1 | | | | | | | | |
| | | (240DNE-C) | 430365-05 | 1 | 1 | 1 | 1 | | | | | | | | |
| 67 | TIE | - | 7920-0002 | 2 | 2 | 2 | 2 | | | | | | | | |

| MODEL : IM-240DNE(-C,-21,-23,-32) IM-240XNE(-21,-23,-32) | | | | | | | | TITLE : B. REFRIGERATION ASSY | | | | | | | |
|---|--------------------|--------------------------|-------------|----------------|------------|------------|----------------|-------------------------------|--|--|--|--|--|--|--|
| INDEX NO. | DESCRIPTION | MATERIAL OR MODEL NUMBER | PART NUMBER | REQ'D NUMBER | | | | | | | | | | | |
| | | | | K-1,A-0 B-0 | B-1 B-2 | B-3 C-0 | C-1,D-0 E-0 | | | | | | | | |
| 68 | WASHER | (240DNE-21,XNE-21) | 4H1365-06 | 4 | 4 | 4 | 4 | | | | | | | | |
| | WASHER | (240DNE-23,XNE-23) | 4H1365-05 | 4 | 4 | 4 | 4 | | | | | | | | |
| 69 | COVER | (50Hz) | P01857-01 | - | 1 | 1 | 1 | | | | | | | | |
| 70 | CLAMP | (50Hz) | P01862-01 | - | 1 | 1 | 1 | | | | | | | | |
| 71 | GASKET | (50Hz) | P01863-01 | - | 1 | 1 | 1 | | | | | | | | |
| 72 | PIPE(A-2)-LOW SIDE | (50Hz) | 4Y6612M01 | - | 1 | 1 | 1 | | | | | | | | |
| 73 | INSULATION TUBE | (50Hz) | H72030300 | - | 1 | 1 | 1 | | | | | | | | |
| 74 | INSULATION TUBE | (240DNE-C) | H72030B15 | - | 1 | 1 | 1 | | | | | | | | |

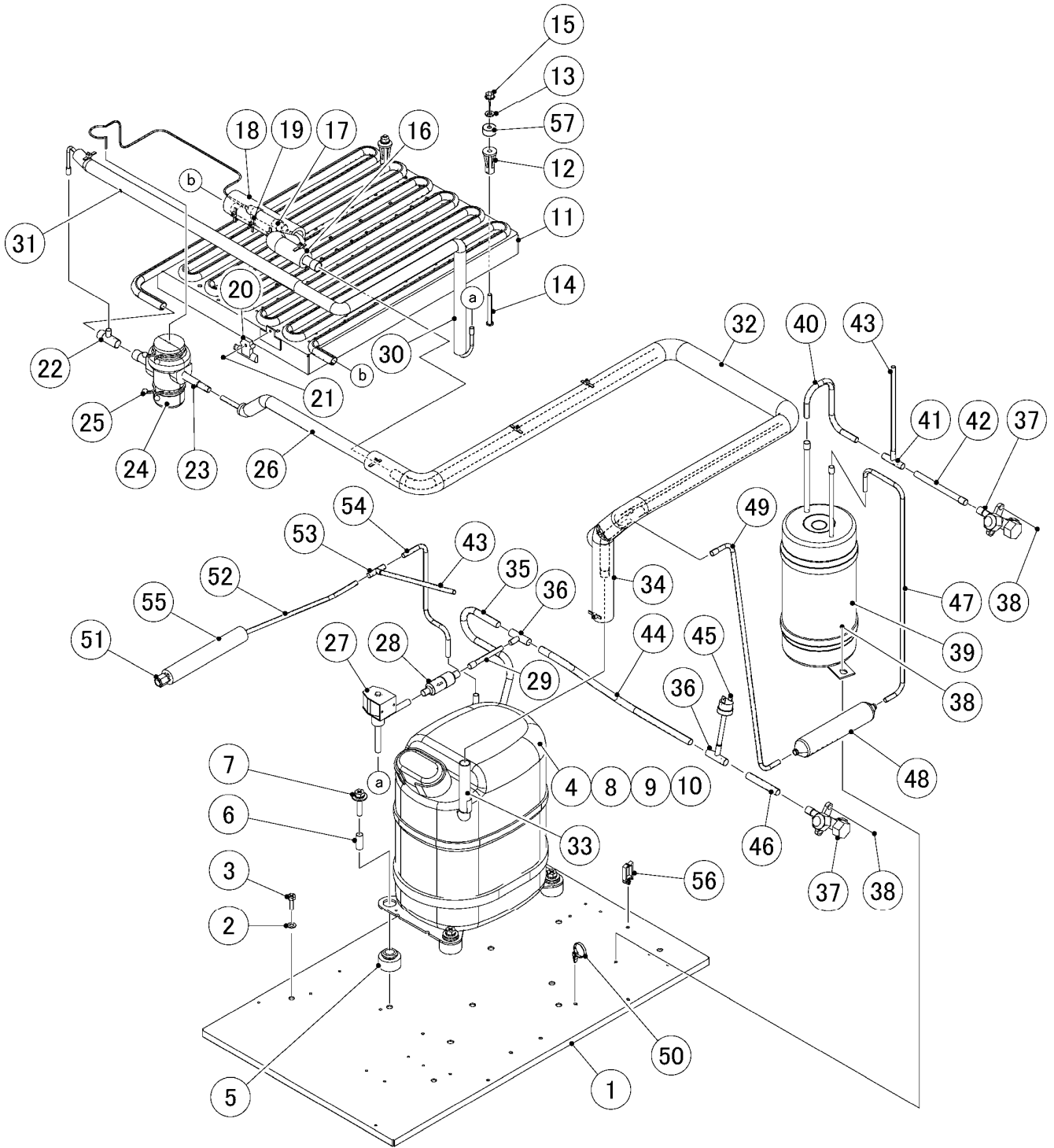
| MODEL : IM-240DNE(-C,-21,-23,-32) IM-240XNE(-21,-23,-32) | | | | | | | | TITLE : B. REFRIGERATION ASSY | | | | | | | |
|---|---|-----------------------------------|-------------|----------------|------------|------------|----------------|-------------------------------|--|--|--|--|--|--|--|
| INDEX NO. | DESCRIPTION | MATERIAL OR MODEL NUMBER | PART NUMBER | REQ'D NUMBER | | | | | | | | | | | |
| | | | | K-1,A-0 B-0 | B-1 B-2 | B-3 C-0 | C-1,D-0 E-0 | | | | | | | | |
| 1 | BASE | (60Hz) | 3Y5023G01 | 1 | 1 | 1 | - | | | | | | | | |
| | | | 3Y6693G01 | - | - | - | 1 | | | | | | | | |
| 2 | FLAT WASHER | - | FWPL06N0 | 4 | 4 | 4 | 4 | | | | | | | | |
| 3 | HEX HEAD BOLT | - | FBH0620S0 | 4 | 4 | 4 | 4 | | | | | | | | |
| 4 | COMPRESSOR | (60Hz) | 4A1322-01 | 1 | 1 | 1 | - | | | | | | | | |
| | | | P02886-01 | - | - | - | 1 | | | | | | | | |
| 5 | GROMMET | (60Hz) | 434922-02 | 4 | 4 | 4 | - | | | | | | | | |
| | RUBBER GROMMET | | P01858-01 | - | - | - | 4 | | | | | | | | |
| 6 | SPACER | (60Hz) | 434921-01 | 4 | 4 | 4 | - | | | | | | | | |
| | SLEEVE | | P01859-01 | - | - | - | 4 | | | | | | | | |
| 7 | FLAT WASHER | - | FWPL08F0 | - | - | - | - | | | | | | | | |
| 8 | BOLT | (60Hz) | 436206-04 | 4 | 4 | 4 | - | | | | | | | | |
| | | | 436206-03 | - | - | - | 4 | | | | | | | | |
| 9 | MOTOR PROTECTOR | (60Hz) | 4A1581F01 | 1 | 1 | 1 | - | | | | | | | | |
| 10 | FLANGE BOLT (S-TITE) | - | FTR0408M0 | 2 | 2 | 2 | 2 | | | | | | | | |
| 11 | SHROUD | - | 2H9947M01 | 1 | 1 | 1 | 1 | | | | | | | | |
| 12 | CLAMP | No.2674 | 427902-02 | 1 | 1 | 1 | 1 | | | | | | | | |
| 13 | TRUSS HEAD TAPPING SCREW T2 | - | FT20408F0 | 6 | 6 | 6 | 6 | | | | | | | | |
| 14 | FAN MOTOR | A4E300-AS72-01 | P02545-01 | 1 | 1 | 1 | 1 | | | | | | | | |
| 15 | BRACKET - FM | - | 3Y5075M01 | 1 | 1 | 1 | 1 | | | | | | | | |
| 16 | HEX HEAD BOLT (SPRING WASHER AND FLAT WASHER) | - | FBK0408F0 | 5 | 5 | 5 | 5 | | | | | | | | |
| 17 | HEX HEAD BOLT (SPRING WASHER AND FLAT WASHER) | - | FBK0508F0 | 4 | 4 | 4 | 4 | | | | | | | | |
| 18 | EVAPORATOR | (240DNE,XNE) | 2H7526G02 | 1 | 1 | 1 | 1 | | | | | | | | |
| | | (240DNE-21,XNE-21) | 208205G04 | 1 | 1 | 1 | 1 | | | | | | | | |
| | | (240DNE-23,XNE-23) | 2H1833G03 | 1 | 1 | 1 | 1 | | | | | | | | |
| | | (240DNE-32,XNE-32) | 2H3631G02 | 1 | 1 | 1 | 1 | | | | | | | | |
| 19 | COLLAR | | 3H3879-01 | 4 | 4 | 4 | 4 | | | | | | | | |
| 20 | WASHER | - | 4H0777-01 | 4 | 4 | 4 | 4 | | | | | | | | |
| 21 | SCREW EVAPORATOR | (240DNE,DNE-32, 240XNE,XNE-32) | 4Y4922M02 | 4 | 4 | 4 | 4 | | | | | | | | |
| | | 240DNE-21,-23, 240XNE-21,-23 | 4Y4922M03 | 4 | 4 | 4 | 4 | | | | | | | | |
| 22 | FLANGE NUT | - | FNHF06S0 | 4 | 4 | 4 | 4 | | | | | | | | |
| 23 | PIPE(B) - LOW SIDE | - | 4Y6625G01 | 1 | 1 | 1 | 1 | | | | | | | | |
| 24 | CLIP | - | 452254-02 | 2 | 2 | 2 | 2 | | | | | | | | |

| MODEL : IM-240DNE(-C,-21,-23,-32) IM-240XNE(-21,-23,-32) | | | | | | | | TITLE : B. REFRIGERATION ASSY | | | | | | | |
|---|-----------------------------------|------------------------------|-------------|----------------|------------|------------|----------------|-------------------------------|--|--|--|--|--|--|--|
| INDEX NO. | DESCRIPTION | MATERIAL OR MODEL NUMBER | PART NUMBER | REQ'D NUMBER | | | | | | | | | | | |
| | | | | K-1,A-0 B-0 | B-1 B-2 | B-3 C-0 | C-1,D-0 E-0 | | | | | | | | |
| 25 | INSULATION | - | 4X8643-01 | 1 | 1 | 1 | 1 | | | | | | | | |
| 26 | NYLON TIE | (240DNE) | 7920-0002 | 3 | 3 | 3 | 3 | | | | | | | | |
| 27 | HOLDER - THERMISTOR | - | 3H9642-01 | 1 | 1 | 1 | 1 | | | | | | | | |
| 28 | TRUSS HEAD TAPPING SCREW (S-TITE) | - | FTS0408M0 | 1 | 1 | 1 | 1 | | | | | | | | |
| 29 | WIRE SADDLE | - | 428060-02 | 1 | 1 | 1 | 1 | | | | | | | | |
| 30 | TEE | - | 430608-01 | 1 | 1 | 1 | 1 | | | | | | | | |
| 31 | EXPANSION VALVE | FRE-10NHD-3 | P01874-01 | 1 | 1 | 1 | 1 | | | | | | | | |
| 32 | VALVE COVER | - | 3Y3051P01 | 1 | 1 | 1 | 1 | | | | | | | | |
| 33 | CLAMP | 18T6 | P00752-01 | 2 | 2 | 2 | 2 | | | | | | | | |
| 34 | HEAT EXCHANGER | (KOREA 60Hz GENERAL 60Hz) | 3Y3207G01 | 1 | 1 | 1 | 1 | | | | | | | | |
| 36 | DRIER | - | 458776-01 | 1 | 1 | 1 | 1 | | | | | | | | |
| 37 | TIE | - | 457167-01 | 1 | 1 | 1 | 1 | | | | | | | | |
| 38 | PIPE(C) - HIGH SIDE | - | 3Y5067G01 | 1 | 1 | 1 | 1 | | | | | | | | |
| 39 | PIPE(B) - HIGH SIDE | (60Hz) | 4Y6691M01 | 1 | 1 | 1 | - | | | | | | | | |
| | | | 4Y7778M01 | - | 1 | 1 | 1 | | | | | | | | |
| 40 | TEE | - | 420041-09 | 1 | 1 | 1 | 1 | | | | | | | | |
| 41 | PIPE(A) - HIGH SIDE | (60Hz) | 4Y6693M01 | 1 | - | - | - | | | | | | | | |
| | | | 3Y6687M01 | - | - | - | 1 | | | | | | | | |
| 42 | HOT GAS VALVE | ATS-7S23HD-1 | P01871-01 | 1 | 1 | 1 | 1 | | | | | | | | |
| 43 | PIPE(A) - HOT GAS | - | 4Y6692M01 | 1 | 1 | 1 | 1 | | | | | | | | |
| 44 | PIPE(B) - HOT GAS | - | 3Y5135G01 | 1 | 1 | 1 | 1 | | | | | | | | |
| 45 | PIPE(C) - HOT GAS | - | 3Y5069G01 | 1 | 1 | 1 | 1 | | | | | | | | |
| 46 | ACCESS VALVE | - | 455119-01 | 1 | 1 | 1 | 1 | | | | | | | | |
| 47 | PIPE(B) - PROCESS | (60Hz) | 4Y6621M01 | 1 | 1 | 1 | - | | | | | | | | |
| | | | 4Y7779M01 | - | - | - | 1 | | | | | | | | |
| 48 | TEE | (60Hz) | 420041-03 | 1 | 1 | 1 | - | | | | | | | | |
| | | | 417394-01 | - | - | - | 1 | | | | | | | | |
| 49 | PIPE(A) - PROCESS | (60Hz) | 4Y6651M01 | 1 | 1 | 1 | - | | | | | | | | |
| | | | 4Y7780M01 | - | - | - | 1 | | | | | | | | |
| 50 | PROCESS TUBE | - | 4Y0273-01 | 2 | 2 | 2 | 2 | | | | | | | | |
| 51 | THERMISTOR(G) - FILTER | - | 4Y4859G01 | 1 | 1 | 1 | 1 | | | | | | | | |
| 52 | CLIP - THERMISTOR | - | 4R2938-01 | 1 | 1 | 1 | 1 | | | | | | | | |

| MODEL : IM-240DNE(-C,-21,-23,-32) IM-240XNE(-21,-23,-32) | | | | | | | | TITLE : B. REFRIGERATION ASSY | | | | | | | |
|---|---------------------|------------------------------|-------------|----------------|------------|------------|----------------|-------------------------------|--|--|--|--|--|--|--|
| INDEX NO. | DESCRIPTION | MATERIAL OR MODEL NUMBER | PART NUMBER | REQ'D NUMBER | | | | | | | | | | | |
| | | | | K-1,A-0 B-0 | B-1 B-2 | B-3 C-0 | C-1,D-0 E-0 | | | | | | | | |
| 53 | ALUMINUM TAPE | (60Hz) | 1H4668-01 | 1 | 1 | 1 | - | | | | | | | | |
| | | | 1H5184Z01 | - | - | - | 1 | | | | | | | | |
| 54 | TEE | - | 420041-02 | 1 | 1 | 1 | 1 | | | | | | | | |
| 55 | PIPE(F) - HIGH SIDE | - | 4Y6750M01 | 1 | 1 | 1 | 1 | | | | | | | | |
| 56 | INSULATION TUBE | (60Hz) | H71323250 | 1 | 1 | 1 | - | | | | | | | | |
| | | | H71323150 | - | - | - | 1 | | | | | | | | |
| 59 | PIPE(A) - LOW SIDE | (KOREA 60Hz GENERAL 60Hz) | 3Y5099G01 | 1 | 1 | 1 | - | | | | | | | | |
| | | | 3Y7317G01 | - | - | - | 1 | | | | | | | | |
| 60 | PIPE(E) - HIGH SIDE | (KOREA 60Hz GENERAL 60Hz) | 4Y6627M01 | 1 | 1 | 1 | 1 | | | | | | | | |
| 61 | PIPE(D) - HIGH SIDE | (KOREA 60Hz GENERAL 60Hz) | 3Y5072M01 | 1 | 1 | 1 | - | | | | | | | | |
| | | | 3Y5072M02 | - | - | - | 1 | | | | | | | | |
| 62 | INSULATION TUBE | (KOREA 60Hz GENERAL 60Hz) | H72030B20 | 1 | 1 | 1 | 1 | | | | | | | | |
| 63 | TIE | - | 7920-0003 | 6 | 6 | 6 | 10 | | | | | | | | |
| 65 | CONDENSER | - | P03307-01 | 1 | 1 | 1 | 1 | | | | | | | | |
| | | (CHINA) | P01875-01 | 1 | 1 | 1 | 1 | | | | | | | | |
| 66 | STRAINER | - | P00812-01 | 1 | 1 | 1 | 1 | | | | | | | | |
| 67 | TIE | - | 7920-0002 | 2 | 2 | 2 | 2 | | | | | | | | |
| 68 | WASHER | (240DNE-21,XNE-21) | 4H1365-06 | 4 | 4 | 4 | 4 | | | | | | | | |
| | WASHER | (240DNE-23,XNE-23) | 4H1365-05 | 4 | 4 | 4 | 4 | | | | | | | | |
| 69 | COVER | (60Hz) | P02888-01 | - | - | - | 1 | | | | | | | | |
| 70 | CLAMP | (60Hz) | P01862-01 | - | - | - | 1 | | | | | | | | |
| 71 | GASKET | (60Hz) | P01863-01 | - | - | - | 1 | | | | | | | | |
| 73 | INSULATION TUBE | (60Hz) | H72030300 | - | - | - | 1 | | | | | | | | |
| 74 | INSULATION TUBE | (60Hz) | H72030B15 | - | 1 | 1 | 1 | | | | | | | | |

IM-240DSNE (-23)
IM-240XSNE (-23)

B. REFRIGERATION ASSY (C-1) and later



HE

| MODEL : IM-240DSNE(-23) IM-240XNE(-23) | | TITLE : B. REFRIGERATION ASSY | | | | | |
|---|-------------------------|-------------------------------|-------------|----------------|--|--|--|
| INDEX NO. | DESCRIPTION | MATERIAL OR MODEL NUMBER | PART NUMBER | REQ'D NUMBER | | | |
| | | | | C-1,D-0 E-0 | | | |
| 1 | BASE | | 3Y6699G02 | 1 | | | |
| 2 | FLAT WASHER | | FWPL06N0 | 4 | | | |
| 3 | HEX HEAD BOLT | | FBH0620S0 | 4 | | | |
| 4 | COMPRESSOR | | P01855-01 | 1 | | | |
| 5 | RUBBER GROMMET | | P01858-01 | 4 | | | |
| 6 | SLEEVE | | P01859-01 | 4 | | | |
| 7 | BOLT | | 436206-03 | 4 | | | |
| 8 | COVER | | P01857-01 | 1 | | | |
| 9 | CLAMP | | P01862-01 | 1 | | | |
| 10 | GASKET | | P01863-01 | 1 | | | |
| 11 | EVAPORATOR | (240DSNE,XSNE) | 2H7526G01 | 1 | | | |
| | | (240DSNE-23,XSNE-23) | 2H1833G03 | 1 | | | |
| 12 | COLLAR | | 3H3879-01 | 4 | | | |
| 13 | WASHER | | 4H0777-01 | 4 | | | |
| 14 | SCREW EVAPORATOR | (240DSNE,XSNE) | 4Y4922M02 | 4 | | | |
| | | (240DSNE-23,XSNE-23) | 4Y4922M03 | 4 | | | |
| 15 | FLANGE NUT | | FNHF06S0 | 4 | | | |
| 16 | PIPE(B)-LOW SIDE | | 4Y6625G01 | 1 | | | |
| 17 | CLIP | | 452254-02 | 2 | | | |
| 18 | INSULATION | | 4X8643-01 | 1 | | | |
| 19 | TIE | | 7920-0003 | 10 | | | |
| 20 | HOLDER - THERMISTOR | | 3H9642-01 | 1 | | | |
| 21 | S-TITE TRUSS HEAD SCREW | | FTS0408M0 | 1 | | | |
| 22 | TEE | | 430608-02 | 1 | | | |
| 23 | EXPANSION VALVE | | P01874-01 | 1 | | | |
| 24 | VALVE COVER | | 3Y3051P01 | 1 | | | |
| 25 | CLAMP | | P00752-01 | 2 | | | |
| 26 | PIPE(C)-HIGH SIDE | | 3Y5229G01 | 1 | | | |
| 27 | HOT GAS VALVE | | P01871-01 | 1 | | | |
| 28 | STRAINER | | P00812-01 | 1 | | | |
| 29 | COPPER TUBE(A)-HOT GAS | | 4Y8058M01 | 1 | | | |
| 30 | PIPE(B)-HOT GAS | | 3Y7267G01 | 1 | | | |
| 31 | PIPE(C)-HOT GAS | | 3Y7268G01 | 1 | | | |

HE

| MODEL : IM-240DSNE(-23) IM-240XNE(-23) | | TITLE : B. REFRIGERATION ASSY | | | | | |
|---|---|-------------------------------|-------------|----------------|--|--|--|
| INDEX NO. | DESCRIPTION | MATERIAL OR MODEL NUMBER | PART NUMBER | REQ'D NUMBER | | | |
| | | | | C-1,D-0 E-0 | | | |
| 32 | HEAT EXCHANGER | | 2X1152G01 | 1 | | | |
| 33 | PIPE(A-2)-LOW SIDE | | 4Y6612M01 | 1 | | | |
| 34 | INSULATION TUBE | | H72030200 | 1 | | | |
| 35 | COPPER TUBE(A)-HIGH SIDE | | 4Y7782M01 | 1 | | | |
| 36 | TEE | | 420041-05 | 2 | | | |
| 37 | SERVICE VALVE | | 457440-01 | 2 | | | |
| 38 | HEX HEAD BOLT (SPRING WASHER AND FLAT WASHER) | | FBK0512S0 | 6 | | | |
| 39 | RECIEVER TANK | | 461616-01 | 1 | | | |
| 40 | COPPER TUBE(IN)-HIGH SIDE | | 4Y8059M01 | 1 | | | |
| 41 | TEE | | 420041-02 | 1 | | | |
| 42 | COPPER TUBE(IN)-VALVE | | 4Y8060M01 | 1 | | | |
| 43 | PROCESS TUBE | | 4Y0273-01 | 2 | | | |
| 44 | COPPER TUBE(B)-HIGH SIDE | | 4Y8061M01 | 1 | | | |
| 45 | PRESSURE SWITCH | | 459863-06 | 1 | | | |
| 46 | COPPER TUBE(OUT)-VALVE | | 4Y8062M01 | 1 | | | |
| 47 | COPPER TUBE(OUT)-HIGH SIDE | | 4Y8063M01 | 1 | | | |
| 48 | DRYER | | 444794-01 | 1 | | | |
| 49 | COPPER TUBE(B-2)-HIGH SIDE | | 4Y8064M01 | 1 | | | |
| 50 | TIE | | 457167-01 | 1 | | | |
| 51 | ACCESS VALVE | | 455119-01 | 1 | | | |
| 52 | PIPE(B)-PROCESS | | 4Y7779M01 | 1 | | | |
| 53 | TEE - 6.4 | | 417394-01 | 1 | | | |
| 54 | PIPE(A)-PROCESS | | 4Y7784M01 | 1 | | | |
| 55 | INSULATION TUBE | | H71323150 | 1 | | | |
| 56 | WIRE SADDLE | | 428060-02 | 1 | | | |
| 57 | WASHER | (240DSNE-23,XSNE-23) | 4H1365-05 | 4 | | | |

IM-240DNE(-C, -21, -23, -32)

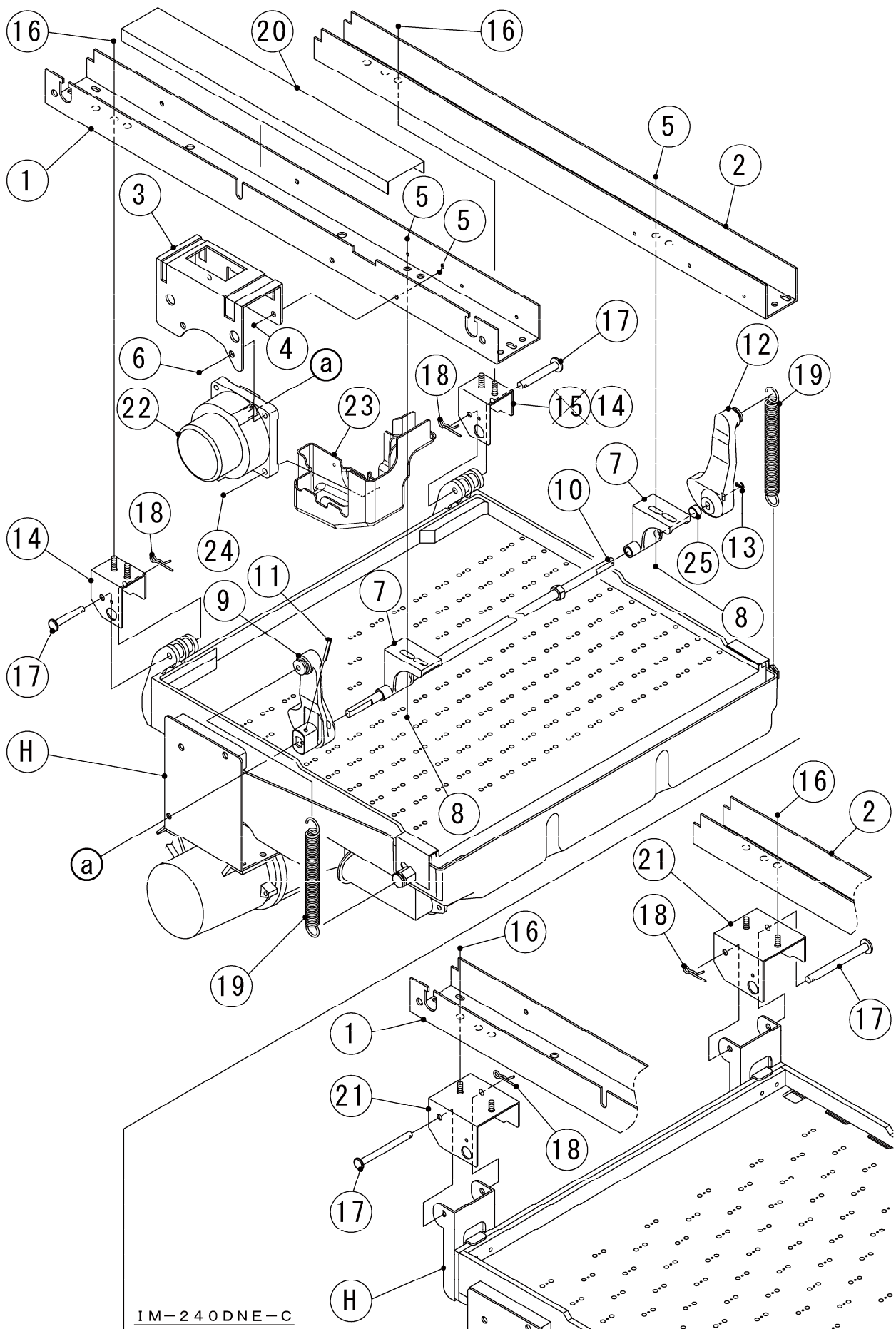
IM-240XNE(-21, -23, -32)

IM-240DSNE(-23)

IM-240XSNE(-23)

C. MECHANISM ASSY

(K-1) and later



IM-240DNE-C

HE,GENERAL(50Hz)(60Hz),HSP,AUSTRALIA,CHINA,KOREA(60Hz)

| MODEL : IM-240DNE(-C,-21,-23,-32) IM-240XNE(-21,-23,-32) IM-240DSNE(-23) IM-240XSNE(-23) | | | | | | | | TITLE : C. MECHANISM ASSY | | | |
|---|---|----------------------------------|-------------|----------------|------------|------------|----------------|---------------------------|--|--|--|
| INDEX NO. | DESCRIPTION | MATERIAL OR MODEL NUMBER | PART NUMBER | REQ'D NUMBER | | | | | | | |
| | | | | K-1,A-0 B-0 | B-1 B-2 | B-3 C-0 | C-1,D-0 E-0 | | | | |
| H | WATER PAN ASSY | - | 1H4689A01 | 1 | 1 | 1 | 1 | | | | |
| | | (240DNE-C) | 1H4680A01 | 1 | 1 | 1 | 1 | | | | |
| 1 | FRONT FRAME | - | 3Y5020M01 | 1 | 1 | 1 | 1 | | | | |
| 2 | REAR FRAME | - | 3Y5021M01 | 1 | 1 | 1 | 1 | | | | |
| 3 | BRACKET - AM | - | 3Y2924M01 | 1 | 1 | 1 | 1 | | | | |
| 4 | TRUSS HEAD MACHINE SCREW | - | FST0512S0 | 2 | 2 | 2 | 2 | | | | |
| 5 | FLANGE NUT | - | FNHF05S0 | 6 | 6 | 6 | 6 | | | | |
| 6 | HEX HEAD BOLT (SPRING WASHER AND FLAT WASHER) | - | FBK0620S0 | 2 | 2 | 2 | 2 | | | | |
| 7 | BEARING - CAM SHAFT | - | 3X8307-02 | 2 | 2 | 2 | 2 | | | | |
| 8 | TRUSS HEAD MACHINE SCREW | - | FST0516S0 | 4 | 4 | 4 | 4 | | | | |
| 9 | CAM(A) | - | 306543G03 | 1 | 1 | 1 | 1 | | | | |
| 10 | CAM SHAFT | - | 425511G01 | 1 | 1 | 1 | 1 | | | | |
| 11 | SPRING PIN 3*28 | - | 712S-0328 | 1 | 1 | 1 | 1 | | | | |
| 12 | CAM (B) | - | 376546P01 | 1 | 1 | 1 | 1 | | | | |
| 13 | COTTER PIN | - | 711S-0212 | 1 | 1 | 1 | 1 | | | | |
| 14 | BEARING PLATE | (EXCEPT 240DNE-C) | 3H1440G03 | 2 | 2 | 2 | 2 | | | | |
| 15 | BEARING PLATE | (EXCEPT 240DNE-C) | 3H1440G04 | - | - | - | - | | | | |
| 16 | FLANGE NUT | - | FNHF06S0 | 4 | 4 | 4 | 4 | | | | |
| 17 | SHAFT (B) | - | 4H1184-02 | 2 | 2 | 2 | 2 | | | | |
| | SHAFT (A) | (240DNE-C) | 4H1184-01 | 2 | 2 | 2 | 2 | | | | |
| 18 | SNAP PIN | - | 715S-0006 | 2 | 2 | 2 | 2 | | | | |
| 19 | EXTEN SPRING | - | 4H3473-01 | 2 | 2 | 2 | 2 | | | | |
| 20 | GUIDE - CONNECTOR | - | 4H5619-01 | 1 | 1 | 1 | 1 | | | | |
| 21 | BEARING - WATER PAN | (240DNE-C) | 3Y5036G01 | 2 | 2 | 2 | 2 | | | | |
| 22 | ACTUATOR MOTOR | - | 4Y8998G01 | 1 | 1 | 1 | 1 | | | | |
| 23 | COVER - ACTUATOR MOTOR | - | 1H4881P01 | 1 | 1 | 1 | 1 | | | | |
| 24 | T2 TRUSS HEAD SCREW | - | FT20418M0 | 2 | 2 | 2 | 2 | | | | |
| 25 | COLLAR | (240DNE-21,-32 240XNE-21,-32) | 429124-01 | 1 | 1 | 1 | 1 | | | | |

IM-240DNE(-C,-21,-23,-32)

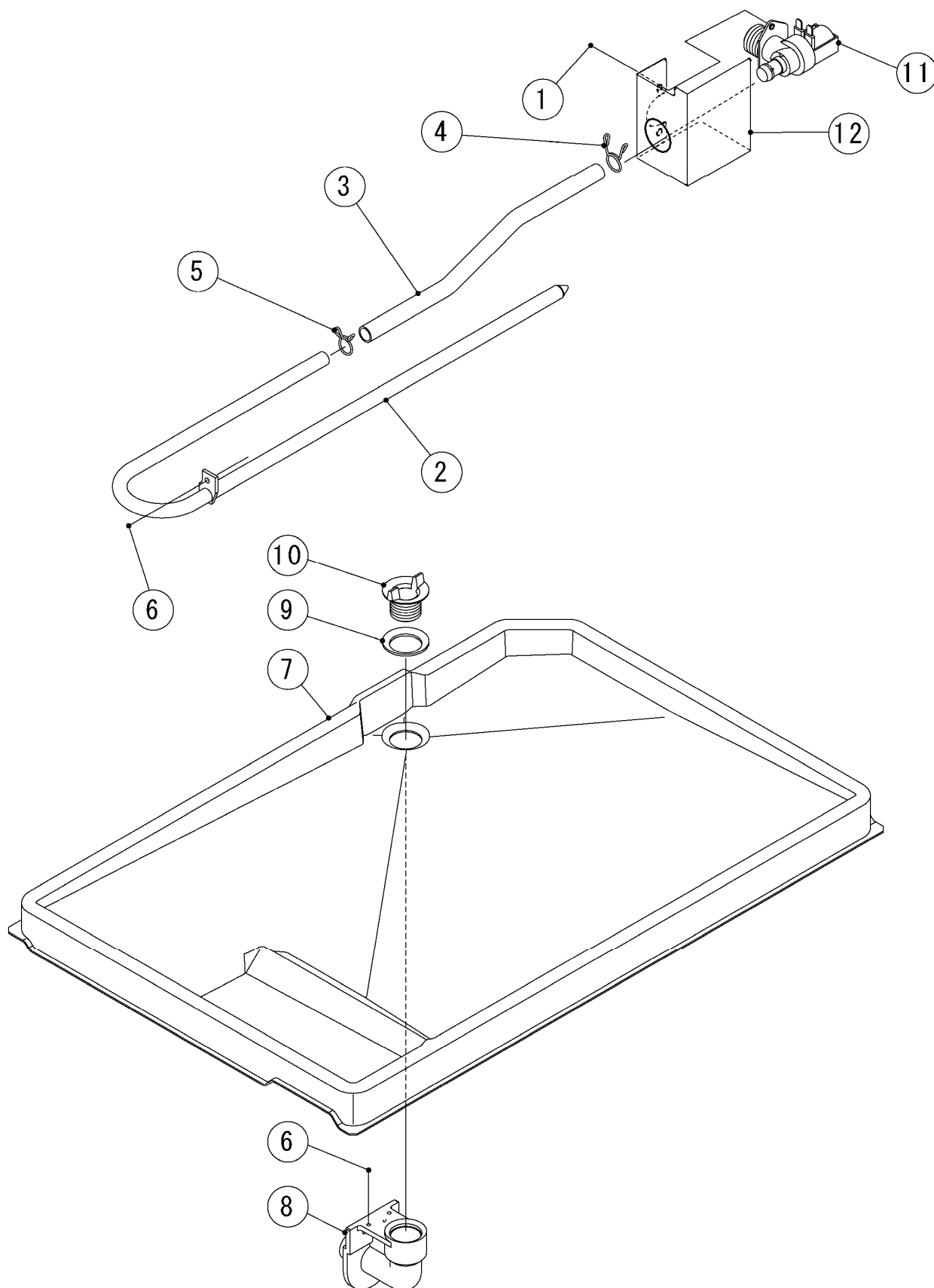
IM-240XNE(-21,-23,-32)

IM-240DSNE(-23)

IM-240XSNE(-23)

D. WATER CIRCUIT ASSY

(K-1) and later



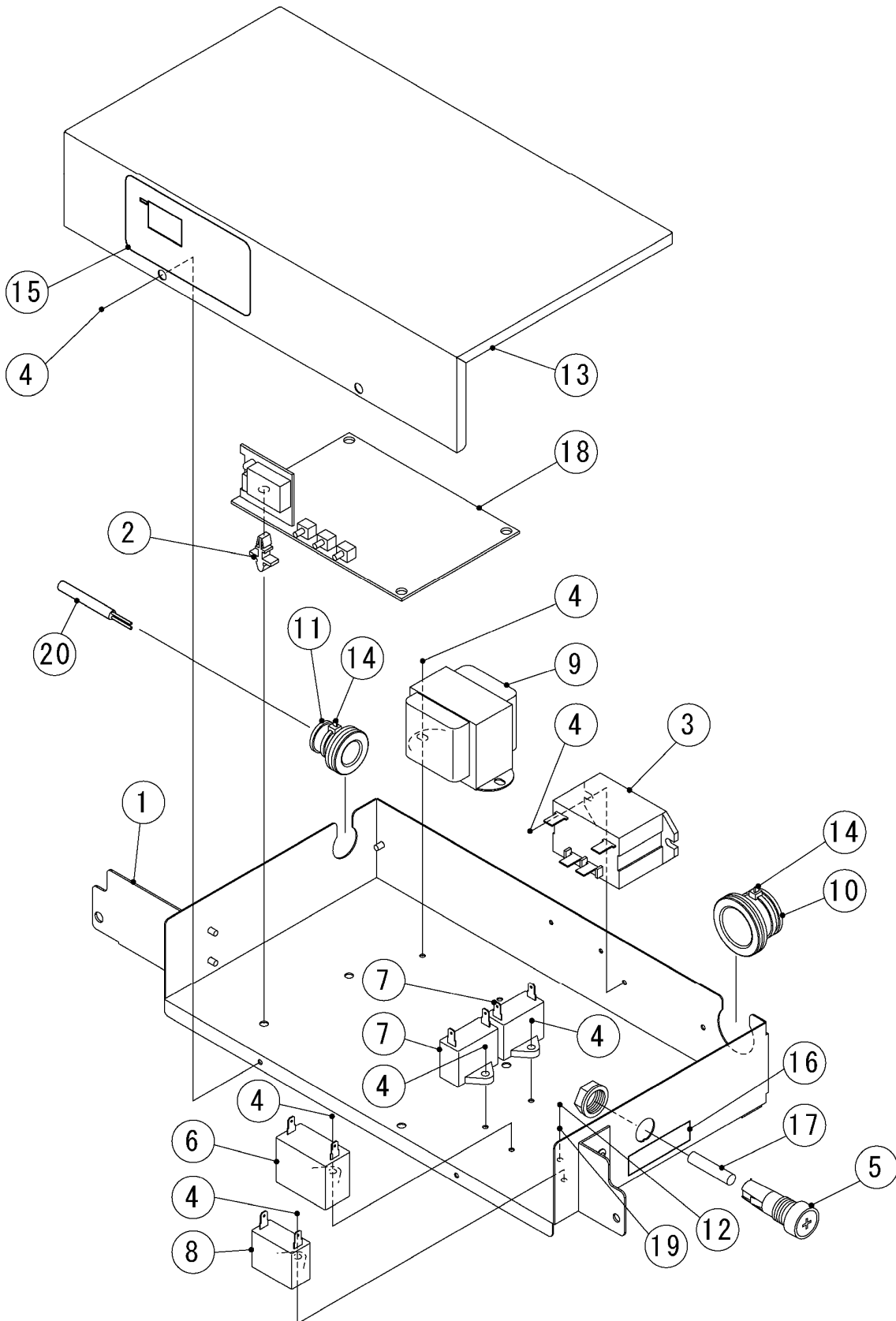
HE,GENERAL(50Hz)(60Hz),HSP,AUSTRALIA,CHINA,KOREA(60Hz)

| MODEL : IM-240DNE(-C,-21,-23,-32) IM-240XNE(-21,-23,-32) IM-240DSNE(-23) IM-240XSNE(-23) | | | | | | | | TITLE : D. WATER CIRCUIT ASSY | | | |
|---|--------------------------|--------------------------|-------------|----------------|------------|------------|----------------|-------------------------------|--|--|--|
| INDEX NO. | DESCRIPTION | MATERIAL OR MODEL NUMBER | PART NUMBER | REQ'D NUMBER | | | | | | | |
| | | | | K-1,A-0 B-0 | B-1 B-2 | B-3 C-0 | C-1,D-0 E-0 | | | | |
| 1 | TRUSS HEAD MACHINE SCREW | - | FST0408S0 | 2 | 2 | 2 | 2 | | | | |
| 2 | WATER SUPPLY PIPE | - | 3H9533G01 | 1 | 1 | 1 | 1 | | | | |
| 3 | SILICONE HOSE | - | 2H9942-01 | 1 | 1 | 1 | 1 | | | | |
| 4 | HOSE CLAMP | SWC-80C(15mm) | 435934-03 | 1 | 1 | 1 | 1 | | | | |
| 5 | HOSE CLAMP | SWC-80C(14mm) | 435934-02 | 1 | 1 | 1 | 1 | | | | |
| 6 | TRUSS HEAD MACHINE SCREW | - | FST0412S0 | 3 | 3 | 3 | 3 | | | | |
| 7 | DRAIN PAN | - | 208186-01 | 1 | 1 | 1 | 1 | | | | |
| 8 | DRAIN PIPE | - | 315825-01 | 1 | 1 | 1 | 1 | | | | |
| 9 | PACKING | - | 413857-01 | 1 | 1 | 1 | 1 | | | | |
| 10 | DRAIN YOKE | - | 418296-01 | 1 | 1 | 1 | 1 | | | | |
| 11 | WATER VALVE | - | P01872-01 | 1 | 1 | 1 | 1 | | | | |
| 12 | COVER-WATER VALVE | - | 3Y6090M01 | 1 | 1 | 1 | 1 | | | | |

IM-240DNE (-C, -21, -23, -32)
IM-240XNE (-21, -23, -32)

E. CONTROL BOX ASSY

50Hz (K-1) to (B-0)
60Hz (K-1) to (C-0)



IM-240DNE(-C,-21,-23,-32)

IM-240XNE(-21,-23,-32)

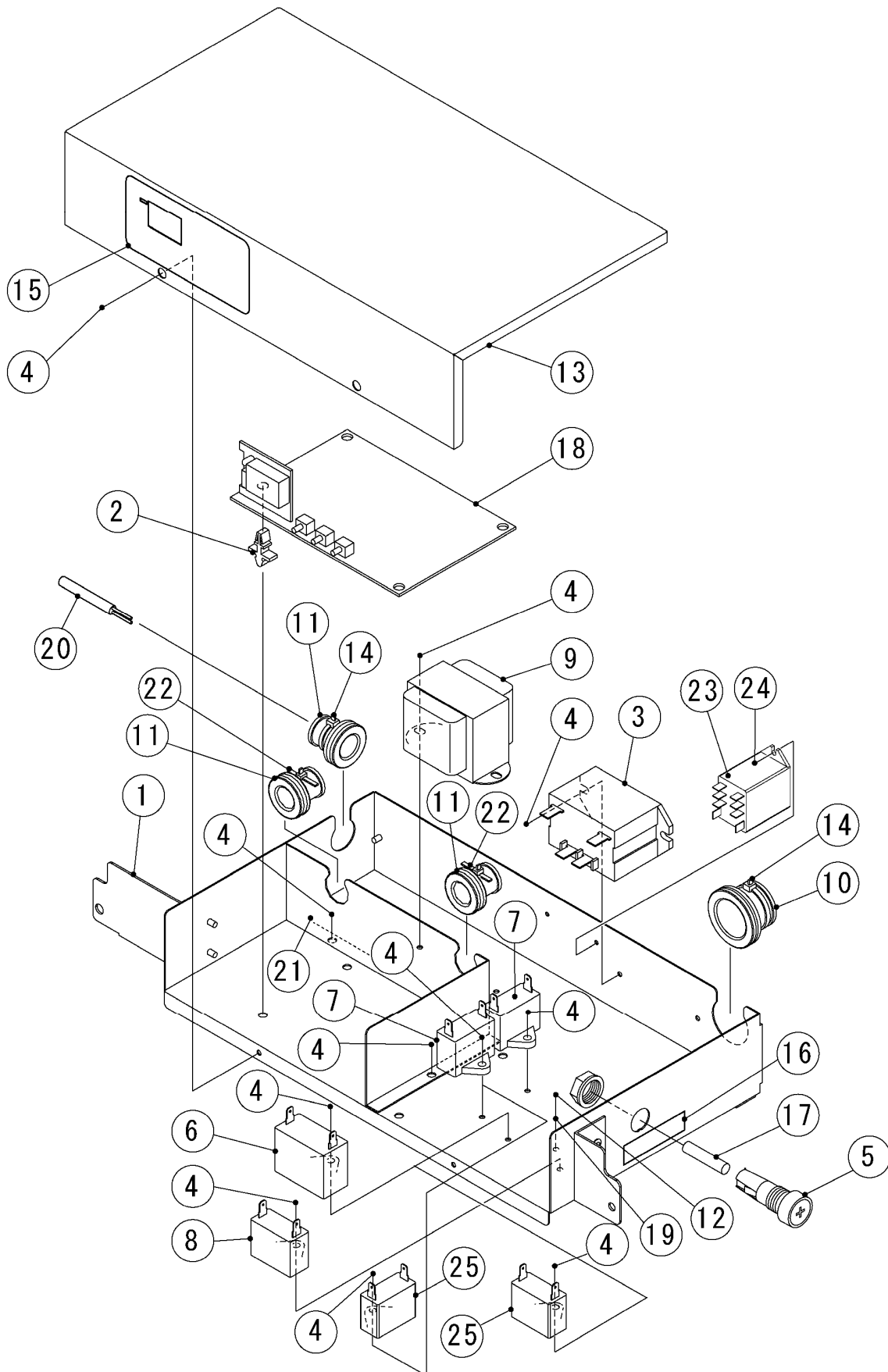
IM-240DSNE(-23)

IM-240XSNE(-23)

(50Hz)(B-1) and later

E. CONTROL BOX ASSY

(60Hz)(C-1) and later



HE,GENERAL(50Hz)(60Hz),HSP,AUSTRALIA,CHINA,KOREA(60Hz)

| MODEL : IM-240DNE(-C,-21,-23,-32) IM-240XNE(-21,-23,-32) IM-240DSNE(-23) IM-240XSNE(-23) | | | | | | | |
|---|-----------------------------------|--|-------------|----------------|------------|------------|----------------|
| TITLE : E. CONTROL BOX ASSY | | | | | | | |
| INDEX NO. | DESCRIPTION | MATERIAL OR MODEL NUMBER | PART NUMBER | REQ'D NUMBER | | | |
| | | | | K-1,A-0 B-0 | B-1 B-2 | B-3 C-0 | C-1,D-0 E-0 |
| 1 | CONTROL BOX G | (50Hz) | 3Y5076G01 | 1 | - | - | - |
| | | | 3Y6694G01 | - | 1 | - | - |
| | | | 3Y7203G01 | - | - | 1 | 1 |
| | | (60Hz) | 3Y5076G01 | 1 | 1 | 1 | - |
| | | | 3Y7203G01 | - | - | - | 1 |
| 2 | BOARD SUPPORT | - | 414929-02 | 4 | 4 | 4 | 4 |
| 3 | POWER RELAY | - | P00034-01 | 1 | 1 | 1 | 1 |
| 4 | TRUSS HEAD TAPPING SCREW T2 | (50Hz) | FT20408F0 | 10 | - | - | - |
| | | | | - | 12 | 12 | 12 |
| | | (60Hz) | FT20408F0 | 10 | 10 | 10 | - |
| | | | | - | - | - | 12 |
| (240DSNE,-23) (240XSNE,-23) | FT20408F0 | - | - | - | 11 | | |
| 5 | FUSE HOLDER | (50Hz) | P00014-01 | 1 | 1 | - | - |
| | | | P02829-01 | - | - | 1 | 1 |
| | | (60Hz) | P00014-01 | 1 | 1 | 1 | - |
| | | | P02829-01 | - | - | - | 1 |
| 6 | CAPACITOR | EXCEPT (240DSNE,-23) (240XSNE,-23) | P01865-01 | 1 | 1 | 1 | 1 |
| 7 | CAPACITOR | EXCEPT (240DSNE,-23) (240XSNE,-23) | P01870-01 | 2 | 2 | 2 | 2 |
| 8 | CAPACITOR | - | P01910-01 | 1 | 1 | 1 | 1 |
| 9 | TRANSFORMER | - | P02714-01 | 1 | 1 | 1 | 1 |
| 10 | GROMMET | - | 4H2568-01 | 1 | 1 | 1 | 1 |
| 11 | GROMMET | (50Hz) | 4H2568-02 | 1 | 3 | 3 | 3 |
| | | (60Hz) | | 1 | 1 | 1 | 3 |
| 12 | TRUSS HEAD TAPPING SCREW (S-TITE) | - | FTS0408M0 | 1 | 1 | 1 | 1 |
| 13 | CONTROL BOX COVER | (50Hz) | 3Y5077M01 | 1 | - | - | - |
| | | | 3Y6696M01 | - | 1 | 1 | 1 |
| | | (60Hz) | 3Y5077M01 | 1 | 1 | 1 | - |
| | | | 3Y6696M01 | - | - | - | 1 |
| 14 | NYLON TIE | CV-100 | 7920-0002 | 2 | - | - | - |
| 15 | CONTROL LABEL | - | 475006L01 | 1 | 1 | 1 | 1 |
| | | (KOREA 60Hz) | 475641L01 | 1 | 1 | 1 | 1 |
| 16 | LABEL - FUSE | - | 466798-01 | 1 | 1 | 1 | 1 |

HE, GENERAL(50Hz)(60Hz), HSP, AUSTRALIA, CHINA, KOREA(60Hz)

| MODEL : IM-240DNE(-C,-21,-23,-32) IM-240XNE(-21,-23,-32) IM-240DSNE(-23) IM-240XSNE(-23) | | | | | | | | TITLE : E. CONTROL BOX ASSY | | | |
|---|------------------------|--------------------------------|-------------|----------------|------------|------------|----------------|-----------------------------|--|--|--|
| INDEX NO. | DESCRIPTION | MATERIAL OR MODEL NUMBER | PART NUMBER | REQ'D NUMBER | | | | | | | |
| | | | | K-1,A-0 B-0 | B-1 B-2 | B-3 C-0 | C-1,D-0 E-0 | | | | |
| 17 | FUSE | (50Hz) | P01876-01 | 1 | 1 | - | - | | | | |
| | | | P01992-01 | - | - | 1 | 1 | | | | |
| | | (60Hz) | P01876-01 | 1 | 1 | 1 | - | | | | |
| | | | P01992-01 | - | - | - | 1 | | | | |
| 18 | CONTROLLER BOARD | - | P01873-01 | 1 | 1 | 1 | 1 | | | | |
| 19 | SPRING WASHER | - | FWSP04S0 | 1 | 1 | 1 | 1 | | | | |
| 20 | THERMISTOR-CUBE COTROL | - | P00350-01 | 1 | 1 | 1 | 1 | | | | |
| 21 | SEPARATOR - BOX | (50Hz) | 3Y6695M01 | - | 1 | 1 | 1 | | | | |
| | | (60Hz) | | - | - | - | 1 | | | | |
| 22 | NYLON TIE | (50Hz) | 7920-0001 | - | 2 | 2 | 2 | | | | |
| | | (60Hz) | | - | - | - | 2 | | | | |
| 23 | RELAY | (240DSNE,-23) (240XSNE,-23) | 406132-08 | - | - | - | 1 | | | | |
| 24 | TAPPING SCREW | (240DSNE,-23) (240XSNE,-23) | 431415-03 | - | - | - | 2 | | | | |
| 25 | CAPACITOR | (240DSNE,-23) (240XSNE,-23) | P01870-01 | - | - | - | 2 | | | | |

IM-240DNE(-C,-21,-23,-32)

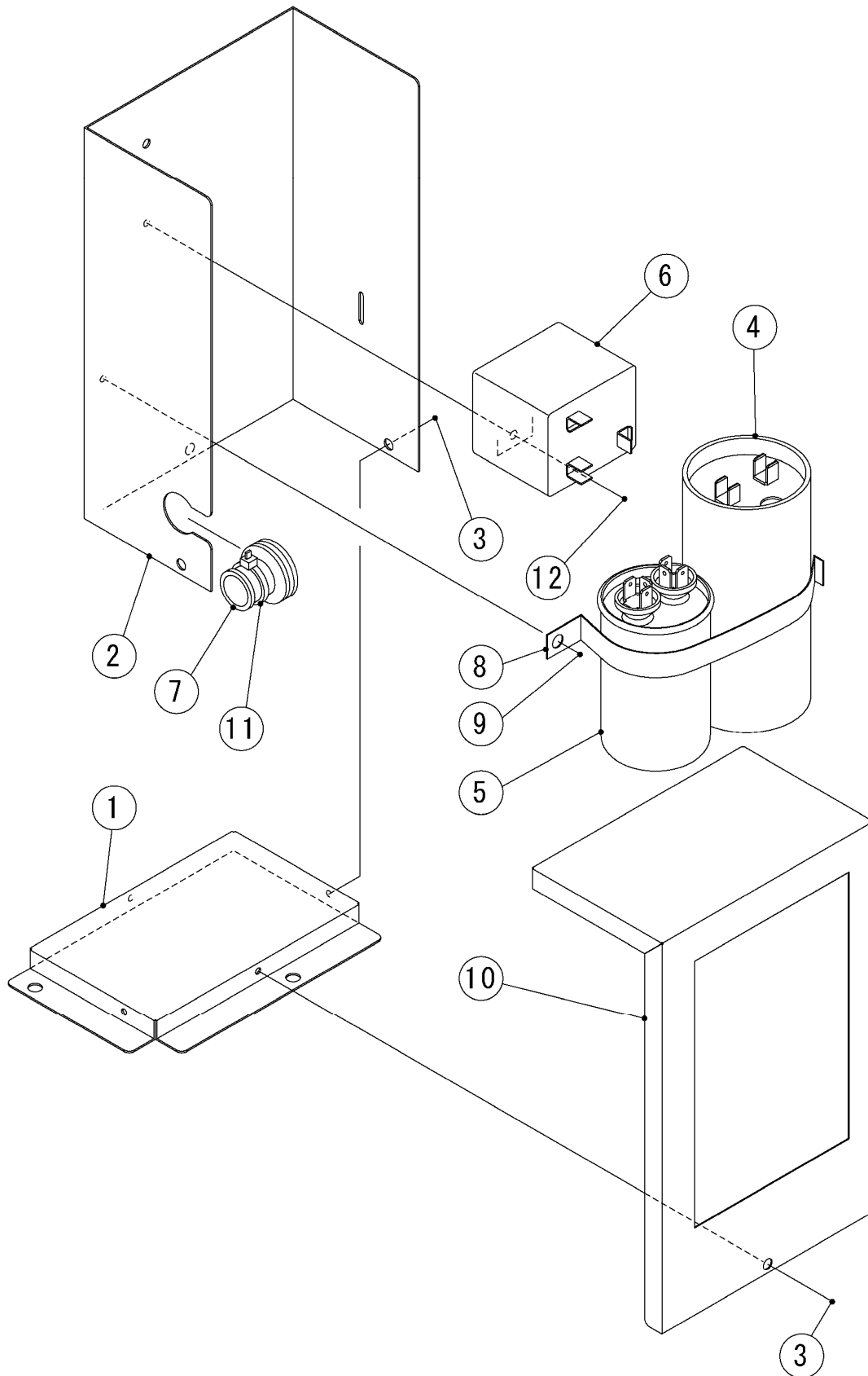
IM-240XNE(-21,-23,-32)

IM-240DSNE(-23)

IM-240XSNE(-23)

F. CONTROL BOX B-ASSY

(K-1) and later



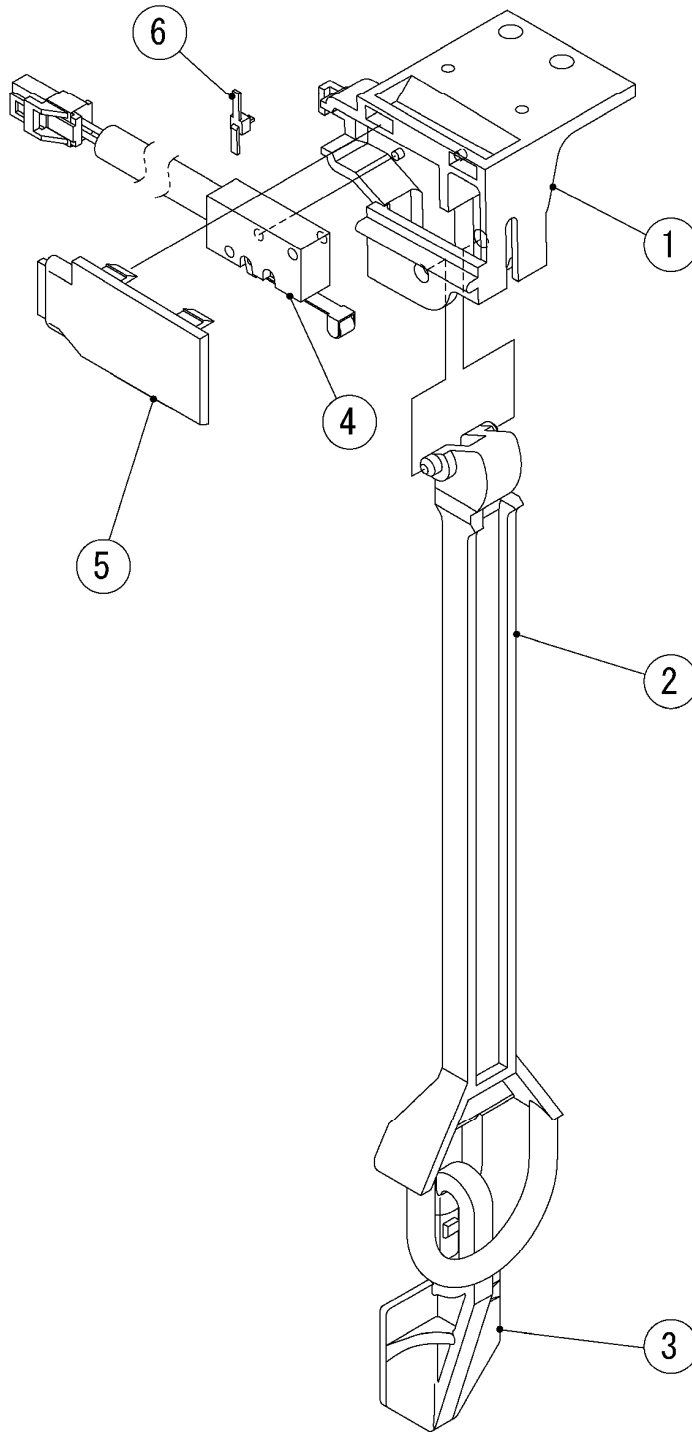
HE,GENERAL(50Hz)(60Hz),HSP,AUSTRALIA,CHINA,KOREA(60Hz)

| MODEL : IM-240DNE(-C,-21,-23,-32) IM-240XNE(-21,-23,-32) IM-240DSNE(-23) IM-240XSNE(-23) | | | | | | | | TITLE : F. CONTROL BOX B - ASSY | | | |
|---|-----------------------------|--------------------------|-------------|----------------|------------|------------|----------------|---------------------------------|--|--|--|
| INDEX NO. | DESCRIPTION | MATERIAL OR MODEL NUMBER | PART NUMBER | REQ'D NUMBER | | | | | | | |
| | | | | K-1,A-0 B-0 | B-1 B-2 | B-3 C-0 | C-1,D-0 E-0 | | | | |
| 1 | CONTROL BOX B - BASE | (50Hz) | 3Y5230M01 | 1 | - | - | - | | | | |
| | | (60Hz) | | 1 | 1 | 1 | - | | | | |
| 2 | CONTROL BOX B - BODY | (50Hz) | 3Y5104M01 | 1 | - | - | - | | | | |
| | | (60Hz) | | 1 | 1 | 1 | - | | | | |
| 3 | TRUSS HEAD TAPPING SCREW T2 | (50Hz) | FT20408F0 | 4 | - | - | - | | | | |
| | | (60Hz) | | 4 | 4 | 4 | - | | | | |
| 4 | START CAPACITOR | (50Hz) | 3A0076-14 | 1 | - | - | - | | | | |
| | CAPACITOR - STARTING | (60Hz) | 3A0076-02 | 1 | 1 | 1 | - | | | | |
| 5 | RUN CAPACITOR | (50Hz) | 3A2005-01 | 1 | - | - | - | | | | |
| | CAPACITOR-RUN | (60Hz) | 3A2005-10 | 1 | 1 | 1 | - | | | | |
| 6 | STARTER | (50Hz) | 4A1107-02 | 1 | - | - | - | | | | |
| | | (60Hz) | 4A1107-13 | 1 | 1 | 1 | - | | | | |
| 7 | GROMMET | (50Hz) | 4H2568-02 | 1 | - | - | - | | | | |
| | | (60Hz) | | 1 | 1 | 1 | - | | | | |
| 8 | BAND | (50Hz) | 427254-01 | 1 | - | - | - | | | | |
| | | (60Hz) | 427254-13 | 1 | 1 | 1 | - | | | | |
| 9 | FLANGE BOLT (S-TITE) | (50Hz) | FTR0408M0 | 1 | - | - | - | | | | |
| | | (60Hz) | | 1 | 1 | 1 | - | | | | |
| 10 | CONTROL BOX COVER B | (50Hz) | 3Y5293G01 | 1 | - | - | - | | | | |
| | | (60Hz) | | 1 | 1 | 1 | - | | | | |
| 11 | NYLON TIE | CV-100 (50Hz) | 7920-0002 | 1 | - | - | - | | | | |
| | | CV-100 (60Hz) | | 1 | 1 | 1 | - | | | | |
| 12 | TRUSS HEAD MACHINE SCREW | (50Hz) | FST0408F0 | 1 | - | - | - | | | | |
| | | (60Hz) | | 1 | 1 | 1 | - | | | | |

IM-240DNE(-C, -21, -23, -32)
IM-240DSNE(-23)

G. BIN SWITCH ASSY

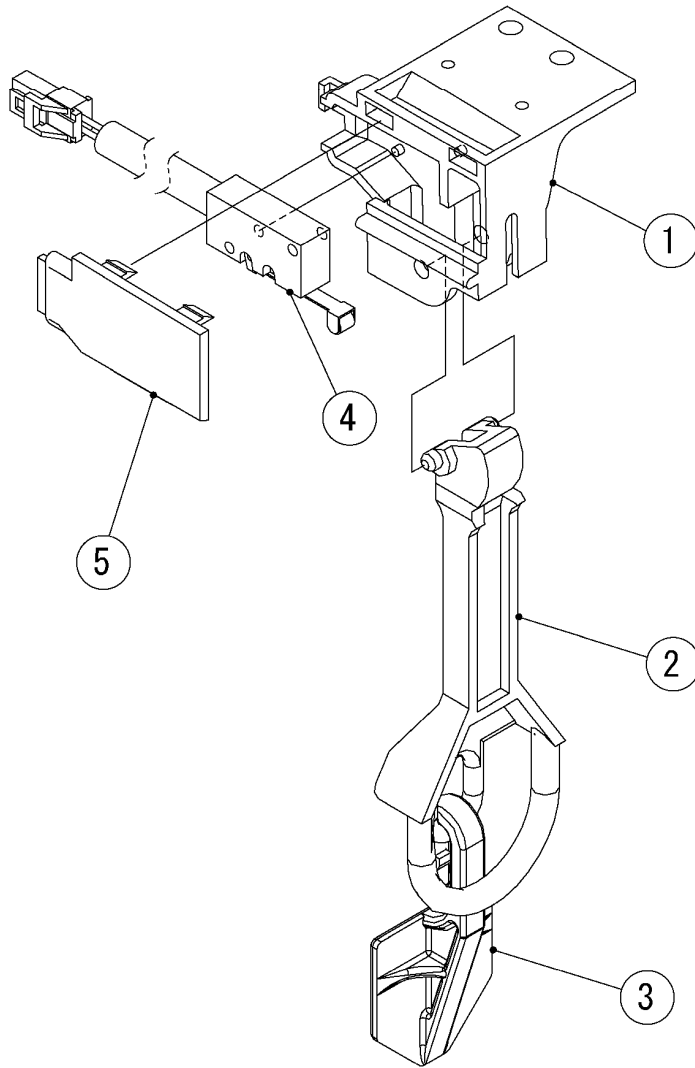
(K-1) and later



IM-240XNE (-21, -23, -32)
IM-240XSNE (-23)

G. BIN SWITCH ASSY

(K-1) and later



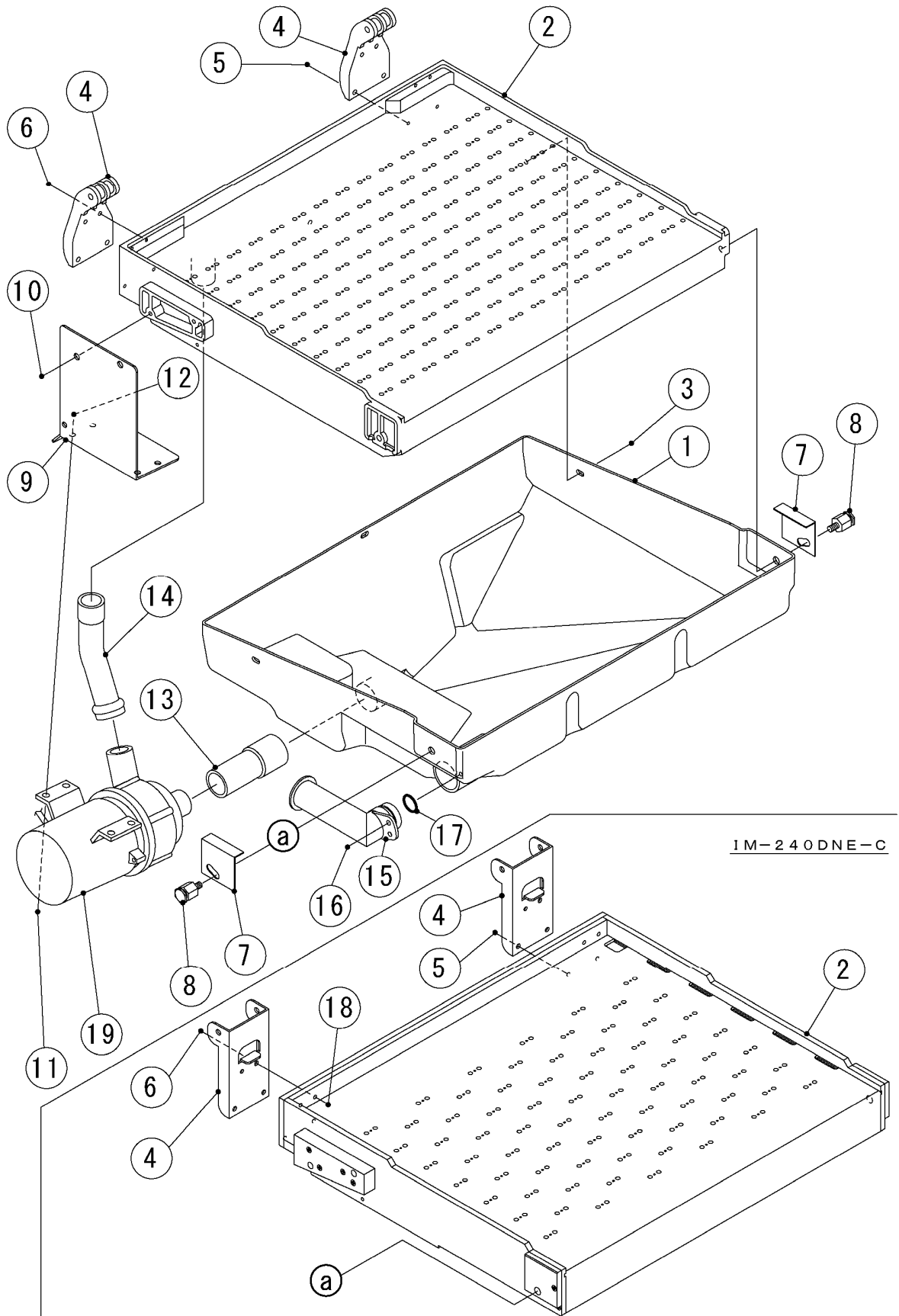
HE, GENERAL(50Hz)(60Hz),HSP,AUSTRALIA,CHINA,KOREA(60Hz)

| MODEL : IM-240DNE(-C,-21,-23,-32) IM-240XNE(-21,-23,-32) IM-240DSNE(-23) IM-240XSNE(-23) | | | | | | | | TITLE : G. BIN SWITCH ASSY | | | |
|---|------------------|--|-------------|----------------|------------|------------|----------------|----------------------------|--|--|--|
| INDEX NO. | DESCRIPTION | MATERIAL OR MODEL NUMBER | PART NUMBER | REQ'D NUMBER | | | | | | | |
| | | | | K-1,A-0 B-0 | B-1 B-2 | B-3 C-0 | C-1,D-0 E-0 | | | | |
| 1 | SWITCH BOX | - | 2H2043-01 | 1 | 1 | 1 | 1 | | | | |
| 2 | SWITCH ACTUATOR | (240DNE,-C,-21,-23,-32) (240DSNE,-23) | 3H1369-02 | 1 | 1 | 1 | 1 | | | | |
| | | (240XNE,-21,-23,-32) (240XSNE,-23) | 3H1369-01 | 1 | 1 | 1 | 1 | | | | |
| 3 | DETECTOR | - | 311044-01 | 1 | 1 | 1 | 1 | | | | |
| 4 | MICRO SWITCH G | - | 4Y6741G01 | 1 | 1 | 1 | 1 | | | | |
| 5 | SWITCH BOX COVER | - | 4H8785-01 | 1 | 1 | 1 | 1 | | | | |
| 6 | NYLON TIE | (240DNE,-C,-21,-23,-32) (240DSNE,-23) | 7920-0002 | 1 | 1 | 1 | 1 | | | | |

IM-240DNE(-C, -21, -23, -32)
IM-240XNE(-21, -23, -32)
IM-240DSNE(-23)
IM-240XSNE(-23)

H. WATER PAN ASSY

(K-1) and later



HE,GENERAL(50Hz)(60Hz),HSP,AUSTRALIA,CHINA,KOREA(60Hz)

| MODEL : IM-240DNE(-C,-21,-23,-32) IM-240XNE(-21,-23,-32) IM-240DSNE(-23) IM-240XSNE(-23) | | | | | | | | TITLE : H. WATER PAN ASSY | | | |
|---|---|---|-------------|----------------|------------|------------|----------------|---------------------------|--|--|--|
| INDEX NO. | DESCRIPTION | MATERIAL OR MODEL NUMBER | PART NUMBER | REQ'D NUMBER | | | | | | | |
| | | | | K-1,A-0 B-0 | B-1 B-2 | B-3 C-0 | C-1,D-0 E-0 | | | | |
| 1 | WATER PAN | - | 1H0888-02 | 1 | 1 | 1 | 1 | | | | |
| 2 | WATER PLATE | (240DNE, -23, 240XNE, -23) (240DSNE, -23) (240XSNE, -23) | 208020G01 | 1 | 1 | 1 | 1 | | | | |
| | | (240DNE-21, XNE-21) | 208484G01 | 1 | 1 | 1 | 1 | | | | |
| | | (240DNE-32, XNE-32) | 1H0351G01 | 1 | 1 | 1 | 1 | | | | |
| | | (240DNE-C) | 1H4700G01 | 1 | 1 | 1 | 1 | | | | |
| 3 | TRUSS HEAD TAPPING SCREW T2 | (240DNE, -23 240XNE, -23 240DNE-C) (240DSNE, 23) (240XSNE, -23) | FT20406M0 | 3 | 3 | 3 | 3 | | | | |
| | TRUSS HEAD MACHINE SCREW | (240DNE-21, -32 240XNE-21, -32) | FST0408S0 | 3 | 3 | 3 | 3 | | | | |
| 4 | WATER PAN HANGER | - | 3H2059-01 | 2 | 2 | 2 | 2 | | | | |
| | BRACKET - WATER PAN | (240DNE-C) | 4Y6595M01 | 2 | 2 | 2 | 2 | | | | |
| 5 | TRUSS HEAD TAPPING SCREW T2 | (240DNE, -23, 240XNE, -23) (240DSNE, 23) (240XSNE, -23) | FT20416M0 | 4 | 4 | 4 | 4 | | | | |
| | TRUSS HEAD MACHINE SCREW | (240DNE-21,-32 240XNE-21,-32 240DNE-C) | FST0420S0 | 4 | 4 | 4 | 4 | | | | |
| 6 | TRUSS HEAD TAPPING SCREW T2 | (240DNE, -23, 240XNE, -23) (240DSNE, -23) (240XSNE, -23) | FT20425M0 | 4 | 4 | 4 | 4 | | | | |
| | TRUSS HEAD MACHINE SCREW | (240DNE-21,-32 240XNE-21,-32 240DNE-C) | FST0425S0 | 4 | 4 | 4 | 4 | | | | |
| 7 | BRACKET | - | 402957-01 | 2 | 2 | 2 | 2 | | | | |
| 8 | SCREW SPRING HOOK | - | 4H2582G01 | 2 | 2 | 2 | 2 | | | | |
| 9 | BRACKET - PUMP | - | 4Y6617M01 | 1 | 1 | 1 | 1 | | | | |
| 10 | TRUSS HEAD TAPPING SCREW T2 | (240DNE, -23, 240XNE, -23) (240DSNE, -23) (240XSNE, -23) | FT20516M0 | 2 | 2 | 2 | 2 | | | | |
| | TRUSS HEAD MACHINE SCREW | (240DNE-21,-32 240XNE-21,-32 240DNE-C) | FST0516S0 | 2 | 2 | 2 | 2 | | | | |
| 11 | HEX HEAD BOLT (SPRING WASHER AND FLAT WASHER) | - | FBK0412S0 | 4 | 4 | 4 | 4 | | | | |
| 12 | FLANGE NUT | - | FNHF04S0 | 4 | 4 | 4 | 4 | | | | |
| 13 | SUCTION TUBE | - | 4Y6641R01 | 1 | 1 | 1 | 1 | | | | |
| 14 | DISCHARGE TUBE | - | 4Y6642R01 | 1 | 1 | 1 | 1 | | | | |
| 15 | PIPE - DRAIN | - | 315530-01 | 1 | 1 | 1 | 1 | | | | |

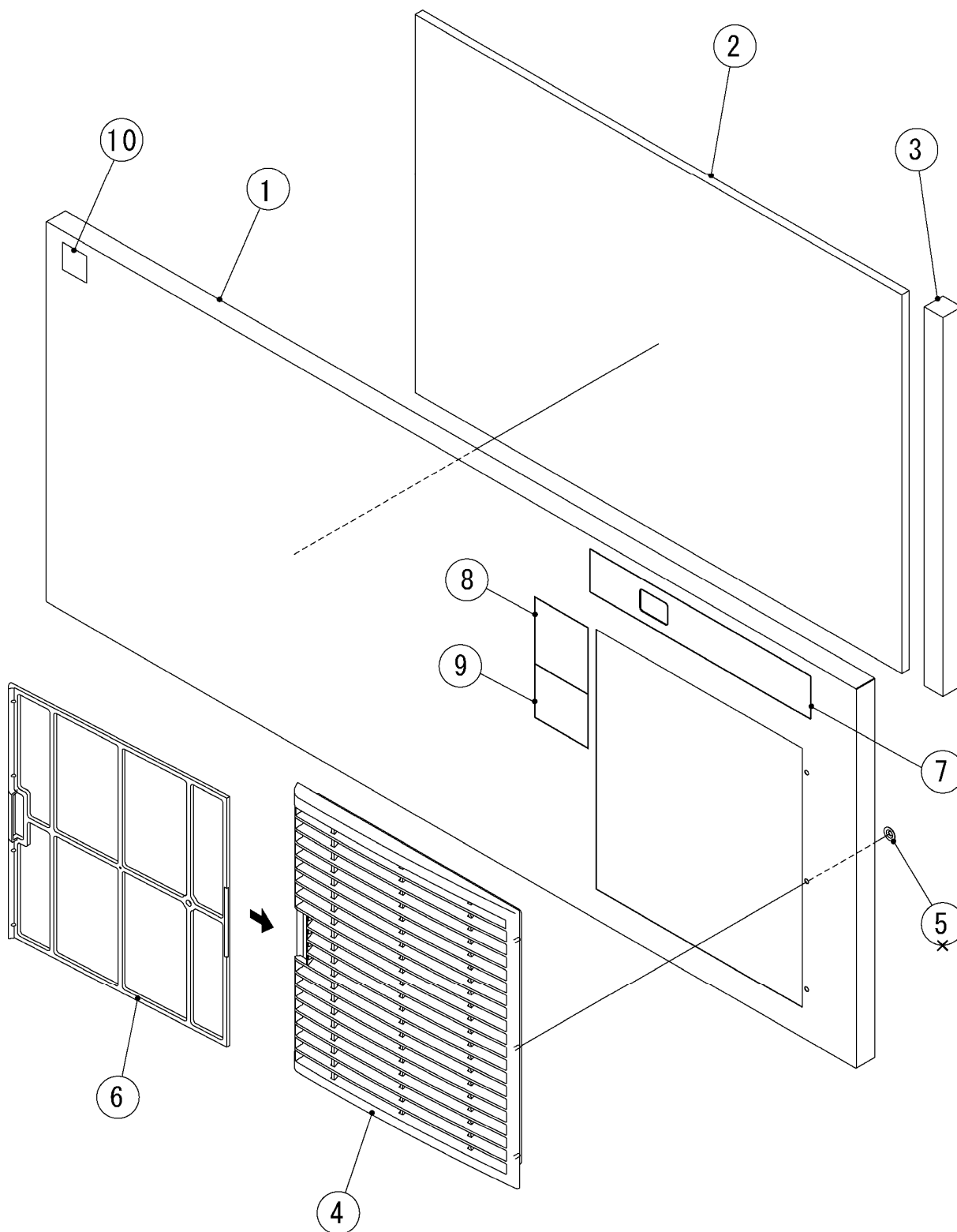
HE, GENERAL(50Hz)(60Hz),HSP,AUSTRALIA,CHINA,KOREA(60Hz)

| MODEL : IM-240DNE(-C,-21,-23,-32) IM-240XNE(-21,-23,-32) IM-240DSNE(-23) IM-240XSNE(-23) | | | | | | | | TITLE : H. WATER PAN ASSY | |
|---|--------------------------|--|-------------|----------------|------------|------------|----------------|----------------------------------|--|
| INDEX NO. | DESCRIPTION | MATERIAL OR MODEL NUMBER | PART NUMBER | REQ'D NUMBER | | | | | |
| | | | | K-1,A-0 B-0 | B-1 B-2 | B-3 C-0 | C-1,D-0 E-0 | | |
| 16 | TRUSS HEAD MACHINE SCREW | - | FST0410S0 | 1 | 1 | 1 | 1 | | |
| 17 | O-RING | - | 7611-G025 | 1 | 1 | 1 | 1 | | |
| 18 | NUT | (240DNE-21,-32 240XNE-21,-32 240DNE-C) | FNH104S0 | 4 | 4 | 4 | 4 | | |
| 19 | PUMP MOTOR | PMX-352BHZ1S | P02715-01 | 1 | 1 | 1 | 1 | | |

IM-240DNE(-C,-21,-23,-32)
IM-240XNE(-21,-23,-32)
IM-240DSNE(-23)
IM-240XSNE(-23)

J. FRONT COVER

(K-1) and later



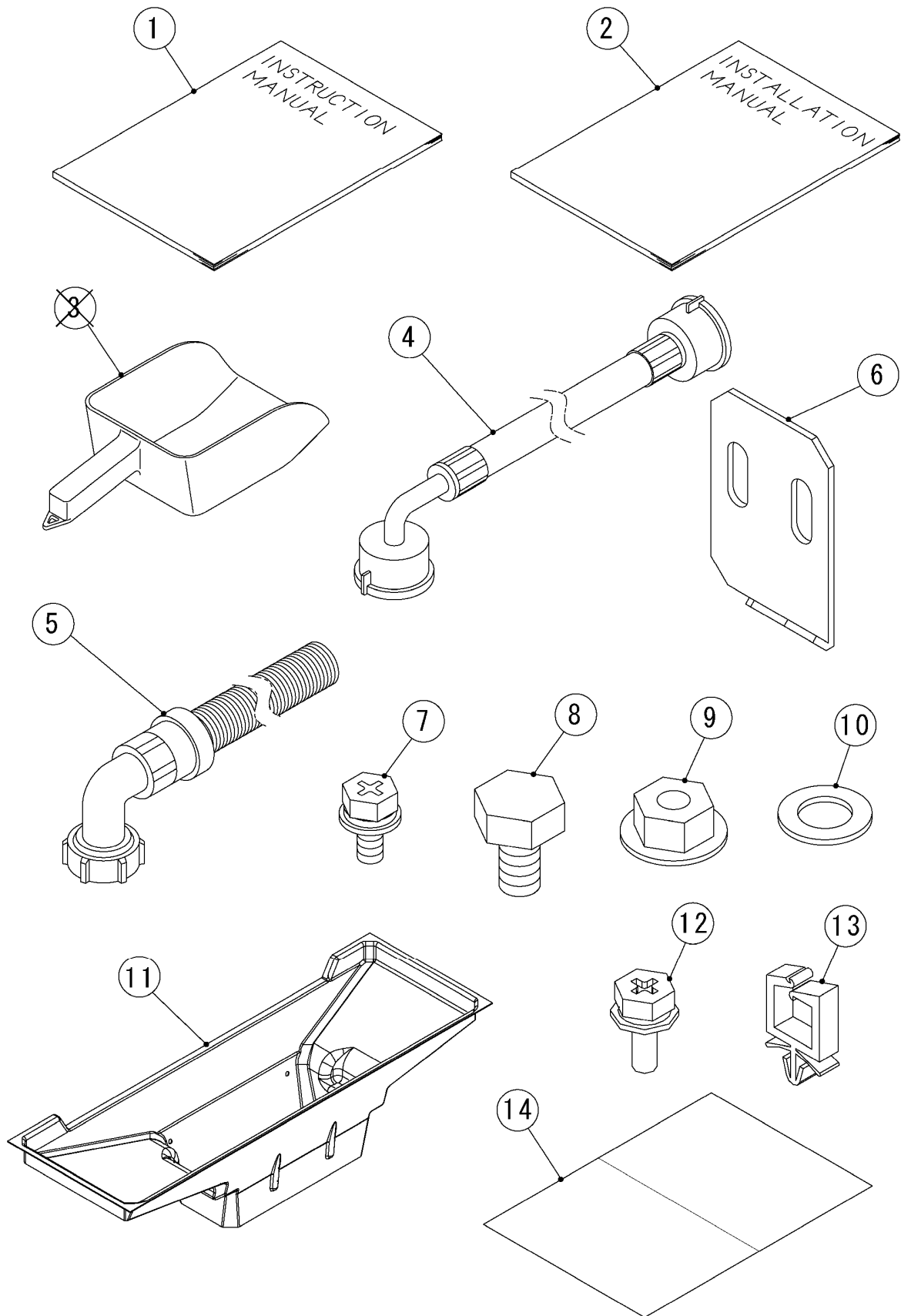
HE, GENERAL(50Hz)(60Hz),HSP,AUSTRALIA,CHINA,KOREA(60Hz)

| MODEL : IM-240DNE(-C,-21,-23,-32) IM-240XNE(-21,-23,-32) IM-240DSNE(-23) IM-240XSNE(-23) | | | | | | | |
|---|--------------------------|---|-------------|----------------|------------|------------|----------------|
| TITLE : J. FRONT COVER | | | | | | | |
| INDEX NO. | DESCRIPTION | MATERIAL OR MODEL NUMBER | PART NUMBER | REQ'D NUMBER | | | |
| | | | | K-1,A-0 B-0 | B-1 B-2 | B-3 C-0 | C-1,D-0 E-0 |
| 1 | FRONT COVER | (50Hz) | 2H9948G01 | 1 | - | - | - |
| | | | 2X1163G01 | - | 1 | 1 | 1 |
| | | (60Hz) | 2H9948G01 | 1 | 1 | 1 | - |
| | | | 2X1163G01 | - | - | - | 1 |
| | | (240DSNE,-23) (240XSNE,-23) | 2X1167G01 | - | - | - | 1 |
| 2 | INSULATION - FRONT | - | 3Y5024P01 | 1 | 1 | 1 | 1 |
| 3 | INSULATION - SEPARATOR F | - | 4Y6575P01 | 1 | 1 | 1 | 1 |
| 4 | LOUVER A | (50Hz) (EXCEPT 240DSNE, -23 240XSNE,-23) | 1A0547-01 | 1 | - | - | - |
| | LOUVER | | 121931P01 | - | 1 | 1 | 1 |
| | LOUVER A | (60Hz) | 1A0547-01 | 1 | 1 | 1 | - |
| | LOUVER | | 121931P01 | - | - | - | 1 |
| 5 | PUSH RETAINER | - | 4A2414-01 | 3 | - | - | - |
| 6 | FILTER A | (50Hz) (EXCEPT 240DSNE, -23 240XSNE,-23) | 2A2062A01 | 1 | - | - | - |
| | AIR FILTER | | 262259G01 | - | 1 | 1 | 1 |
| | FILTER A | (60Hz) | 2A2062A01 | 1 | 1 | 1 | - |
| | AIR FILTER | | 262259G01 | - | - | - | 1 |
| 7 | OPERATION LABEL | (50Hz) | 374135L01 | 1 | - | - | - |
| | | | 374135L02 | - | 1 | 1 | 1 |
| | | (60Hz) | 374135L01 | 1 | 1 | 1 | - |
| | | | 374135L02 | - | - | - | 1 |
| 8 | CAUTION LABEL | (KOREA 60Hz) | 463590-01 | 1 | 1 | 1 | 1 |
| 9 | CAUTION LABEL | (KOREA 60Hz) | 463589-01 | 1 | 1 | 1 | 1 |
| 10 | LABEL - HACCP | | 476519L01 | 1 | 1 | 1 | 1 |

IM-240DNE(-C,-21,-23,-32)
IM-240XNE(-21,-23,-32)
IM-240DSNE(-23)
IM-240XSNE(-23)

K. ACCESSORIES

(K-1) and later



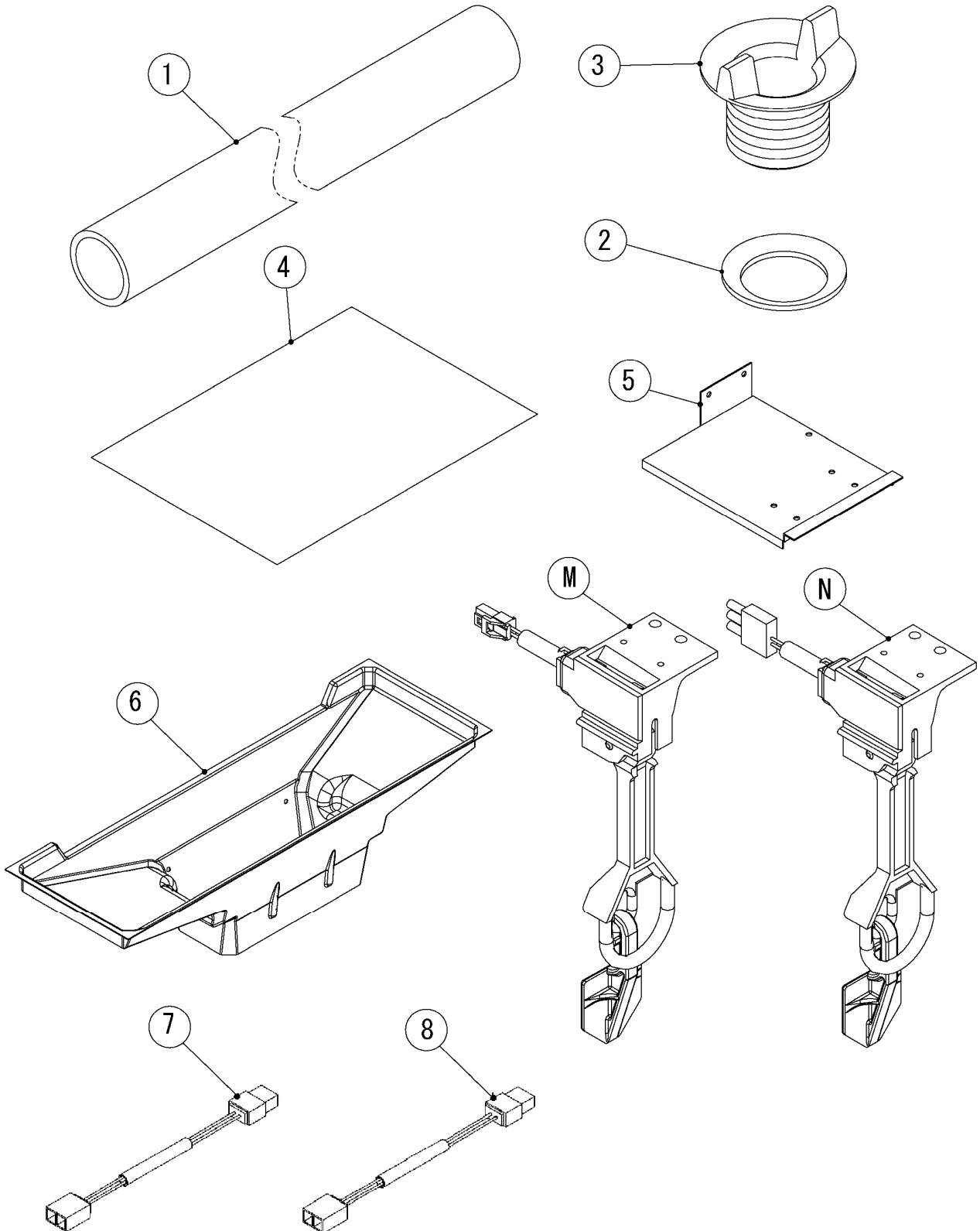
HE, GENERAL(50Hz)(60Hz),HSP,AUSTRALIA,CHINA,KOREA(60Hz)

| MODEL : IM-240DNE(-C,-21,-23,-32) IM-240XNE(-21,-23,-32) IM-240DSNE(-23) IM-240XSNE(-23) | | | | | | | | TITLE : K. ACCESSORIES | | | |
|---|---|--|-------------|----------------|------------|------------|----------------|------------------------|--|--|--|
| INDEX NO. | DESCRIPTION | MATERIAL OR MODEL NUMBER | PART NUMBER | REQ'D NUMBER | | | | | | | |
| | | | | K-1,A-0 B-0 | B-1 B-2 | B-3 C-0 | C-1,D-0 E-0 | | | | |
| 1 | INSTRUCTION MANUAL | - | L1E1CK201 | 1 | 1 | 1 | 1 | | | | |
| | | (CHINA) | L1E1CK301 | 1 | 1 | 1 | 1 | | | | |
| 2 | INSTLATION MANUAL | - | L2E1CK201 | 1 | 1 | 1 | 1 | | | | |
| | | (CHINA) | L2E1CK301 | 1 | 1 | 1 | 1 | | | | |
| 3 | SCOOP | (240DNE,-C,-21,-23,-32) | 208185-01 | - | - | - | - | | | | |
| 4 | INLET HOSE | TC138-AF-HY | P03534-01 | 1 | 1 | 1 | 1 | | | | |
| 5 | OUTLET HOSE | L(1500mm) | 452365-01 | 1 | 1 | 1 | 1 | | | | |
| 6 | BRACE | - | 4Y5926M01 | 2 | 2 | 2 | 2 | | | | |
| 7 | HEX HEAD BOLT (SPRING WASHER AND FLAT WASHER) | - | FBK0512S0 | 2 | 2 | 2 | 2 | | | | |
| 8 | HEX HEAD BOLT | - | FBH0816S0 | 2 | 2 | 2 | 2 | | | | |
| 9 | NUT | - | FNH108S0 | 2 | 2 | 2 | 2 | | | | |
| 10 | WASHER | - | 4X8293-01 | 4 | 4 | 4 | 4 | | | | |
| 11 | ICE SHOOT G | (240XNE,-21,-23,-32) (240XSNE, -23) | 2H9615G01 | 1 | 1 | 1 | 1 | | | | |
| 12 | HEX HEAD BOLT (SPRING WASHER AND FLAT WASHER) | (240XNE,-21,-23,-32) (240XSNE, -23) | FBK0410S0 | 4 | 4 | 4 | 4 | | | | |
| 13 | WIRE SADDLE | (240XNE,-21,-23,-32) (240XSNE, -23) | 428060-03 | 2 | 2 | 2 | 2 | | | | |
| 14 | INSTRUCTION MANUAL | - | 121594L01 | 1 | 1 | 1 | 1 | | | | |

IM-240DNE(-C,-21,-23,-32)
IM-240XNE(-21,-23,-32)
IM-240DSNE(-23)
IM-240XSNE(-23)

L.OPTIONAL PARTS

(K-1) and later



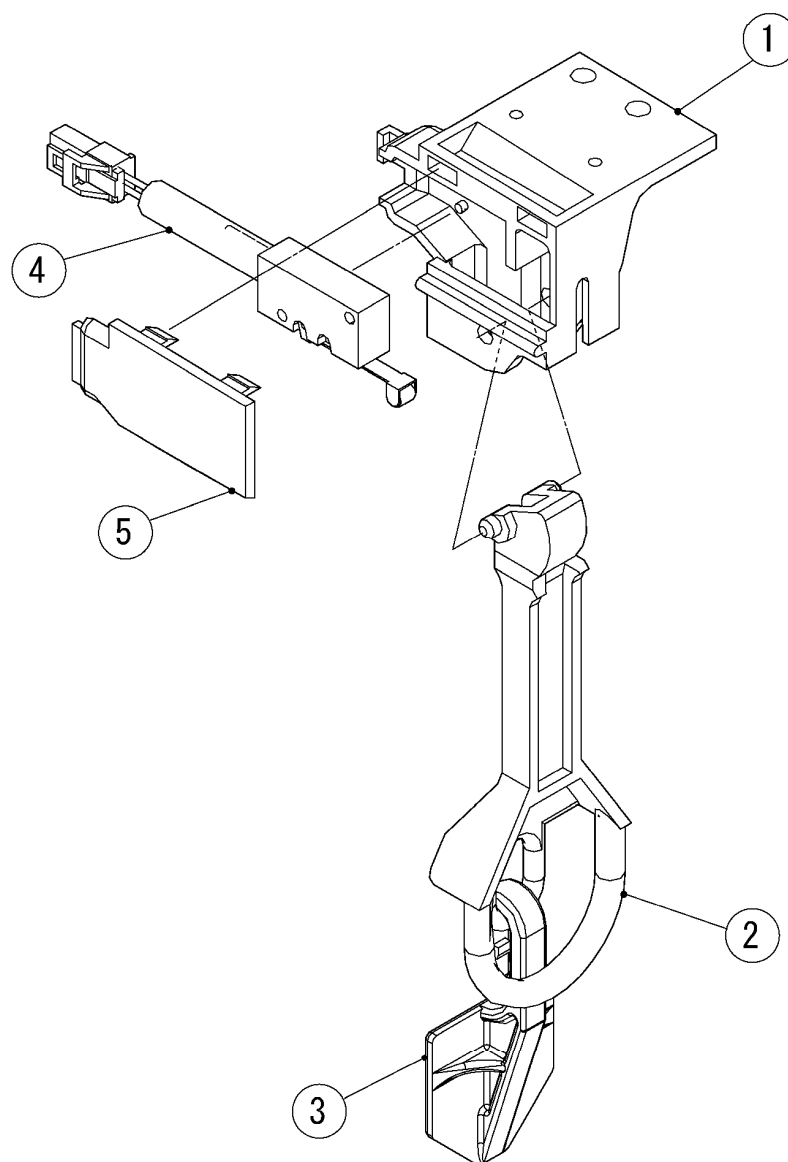
HE, GENERAL(50Hz)(60Hz),HSP,AUSTRALIA,CHINA,KOREA(60Hz)

| MODEL : IM-240DNE(-C,-21,-23,-32) IM-240XNE(-21,-23,-32) IM-240DSNE(-23) IM-240XSNE(-23) | | | | | | | | TITLE : L. OPTIONAL PARTS | | | |
|---|------------------------------|--------------------------|-------------|----------------|------------|------------|----------------|----------------------------------|--|--|--|
| INDEX NO. | DESCRIPTION | MATERIAL OR MODEL NUMBER | PART NUMBER | REQ'D NUMBER | | | | | | | |
| | | | | K-1,A-0 B-0 | B-1 B-2 | B-3 C-0 | C-1,D-0 E-0 | | | | |
| M | BIN SWITCH AY | - | 3Y5244A01 | 1 | 1 | 1 | 1 | | | | |
| N | BIN SWITCH AY | - | 3Y5245A01 | 1 | 1 | 1 | 1 | | | | |
| 1 | DRAIN PIPE | - | 4Y5987P01 | 1 | 1 | 1 | 1 | | | | |
| 2 | PACKING | - | 413857-01 | 1 | 1 | 1 | 1 | | | | |
| 3 | DRAIN YOKE | - | 418296-01 | 1 | 1 | 1 | 1 | | | | |
| 4 | INSTALLATION SHEET-DRAIN KIT | - | 372945L01 | 1 | 1 | 1 | 1 | | | | |
| 5 | BRACKET-BIN CONTROL SWITCH | - | 4Y5943M01 | 1 | 1 | 1 | 1 | | | | |
| 6 | ICE SHOOT G | - | 2H9615G01 | 1 | 1 | 1 | 1 | | | | |
| 7 | CABLE (A) -KIT | - | 4Y5177G01 | 1 | 1 | 1 | 1 | | | | |
| 8 | CABLE (B) -KIT | - | 4Y5179G01 | 1 | 1 | 1 | 1 | | | | |

IM-240DNE(-C,-21,-23,-32)
IM-240XNE(-21,-23,-32)
IM-240DSNE(-23)
IM-240XSNE(-23)

M. BIN SWITCH ASSY

(K-1) and later



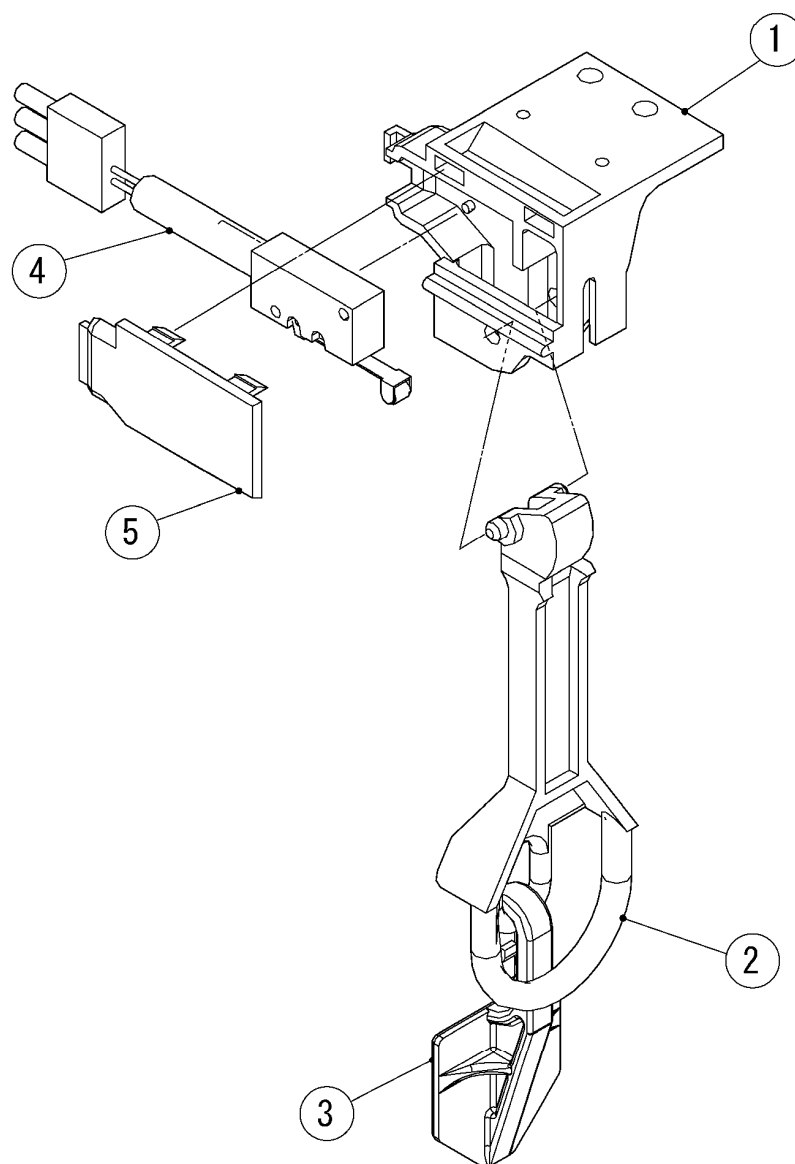
HE, GENERAL(50Hz)(60Hz),HSP,AUSTRALIA,CHINA,KOREA(60Hz)

| MODEL : IM-240DNE(-C,-21,-23,-32) IM-240XNE(-21,-23,-32) IM-240DSNE(-23) IM-240XSNE(-23) | | | | | | | | TITLE : M. BIN SWITCH ASSY | | | |
|---|------------------|--------------------------|-------------|----------------|------------|------------|----------------|----------------------------|--|--|--|
| INDEX NO. | DESCRIPTION | MATERIAL OR MODEL NUMBER | PART NUMBER | REQ'D NUMBER | | | | | | | |
| | | | | K-1,A-0 B-0 | B-1 B-2 | B-3 C-0 | C-1,D-0 E-0 | | | | |
| 1 | SWITCH BOX | - | 2H2043-01 | 1 | 1 | 1 | 1 | | | | |
| 2 | SWITCH ACTUATOR | - | 3H1369-01 | 1 | 1 | 1 | 1 | | | | |
| 3 | DETECTOR | - | 311044-01 | 1 | 1 | 1 | 1 | | | | |
| 4 | MICRO SWITCH G | - | 4Y6741G01 | 1 | 1 | 1 | 1 | | | | |
| 5 | SWITCH BOX COVER | - | 4H8785-01 | 1 | 1 | 1 | 1 | | | | |

IM-240DNE(-C,-21,-23,-32)
IM-240XNE(-21,-23,-32)
IM-240DSNE(-23)
IM-240XSNE(-23)

N.BIN SWITCH ASSY

(K-1) and later



HE, GENERAL(50Hz)(60Hz), HSP, AUSTRALIA, CHINA, KOREA(60Hz)

| MODEL : IM-240DNE(-C,-21,-23,-32) IM-240XNE(-21,-23,-32) IM-240DSNE(-23) IM-240XSNE(-23) | | | | | | | | TITLE : N. BIN SWITCH ASSY | |
|---|------------------|--------------------------|-------------|----------------|------------|------------|----------------|-----------------------------------|--|
| INDEX NO. | DESCRIPTION | MATERIAL OR MODEL NUMBER | PART NUMBER | REQ'D NUMBER | | | | | |
| | | | | K-1,A-0 B-0 | B-1 B-2 | B-3 C-0 | C-1,D-0 E-0 | | |
| 1 | SWITCH BOX | - | 2H2043-01 | 1 | 1 | 1 | 1 | | |
| 2 | SWITCH ACTUATOR | - | 3H1369-01 | 1 | 1 | 1 | 1 | | |
| 3 | DETECTOR | - | 311044-01 | 1 | 1 | 1 | 1 | | |
| 4 | MICRO SWITCH G | - | 4Y6788G01 | 1 | 1 | 1 | 1 | | |
| 5 | SWITCH BOX COVER | - | 4H8785-01 | 1 | 1 | 1 | 1 | | |