



---

SELF-CONTAINED CUBER

**IM-30CNE-HC(-25)**  
**IM-21CNE-HC**

# **PARTS LIST**

[HE]

M062, M062-D001, M061

E-1 JUN. 2015

M062-4059 (071416)

## List of Specifications

IM-30CNE-HC	M062	Standard
IM-30CNE-HC-25	M062-D001	25mm ICE of IM-30CNE-HC
IM-21CNE-HC	M061	Standard

## Auxiliary Codes

### Auxiliary Code Breakdown

The auxiliary code is the first two characters in the serial number. The first character indicates the year. Years progress or regress in alphabetical order. The series runs from "A" through "V" and the letters "I" and "O" are skipped. The second character indicates significant part changes within a year. Base is "0" and this number advances for each change. In cases where there is a letter in parentheses, this designates the month. This is the last character in the serial number. The series runs from "(A)" through "(M)" and the letter "(I)" is skipped. This designation is only included when identifying a parts change within an auxiliary code.

### Note About Ordering Parts

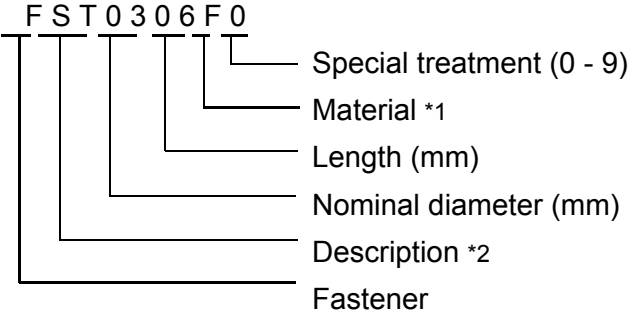
Most assemblies cannot be ordered as complete units; parts in the assemblies generally must be ordered separately.

## MARKS LOCATED UNDER THE AUXILIARY CODE

- = Part deleted.

# FASTENER PART NUMBER

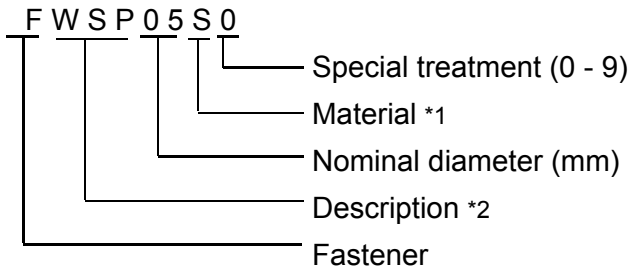
## SCREWS



\*1 Material

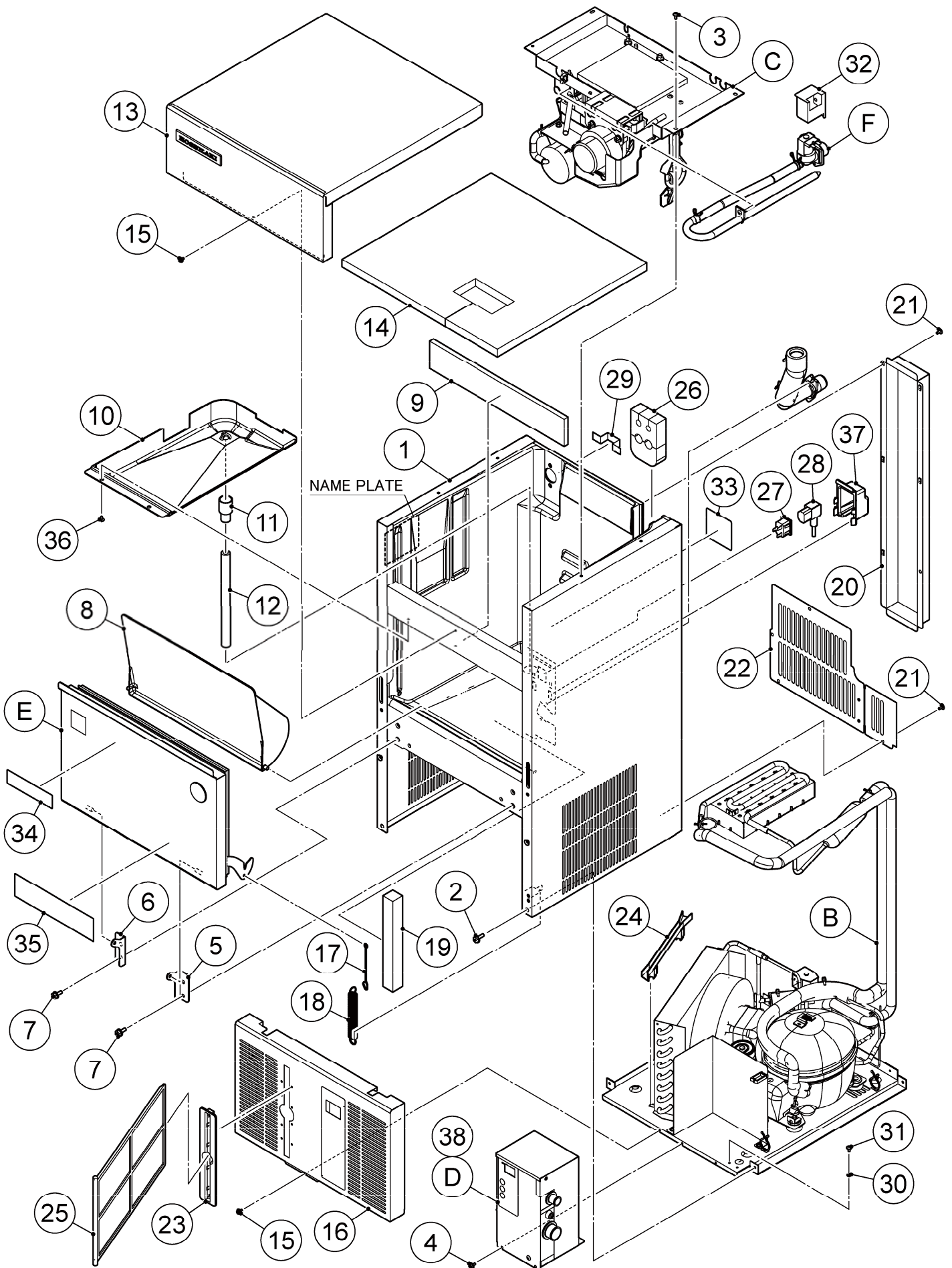
- F: Steel
- S: Austenitic stainless steel
- M: Martensitic stainless steel
- B: Copper alloy
- P: Polycarbonate
- N: Polyamide
- V: PVC
- A: ABS
- X: Polyacetal
- L: Aluminum

## NUTS & WASHERS



\*2 Description

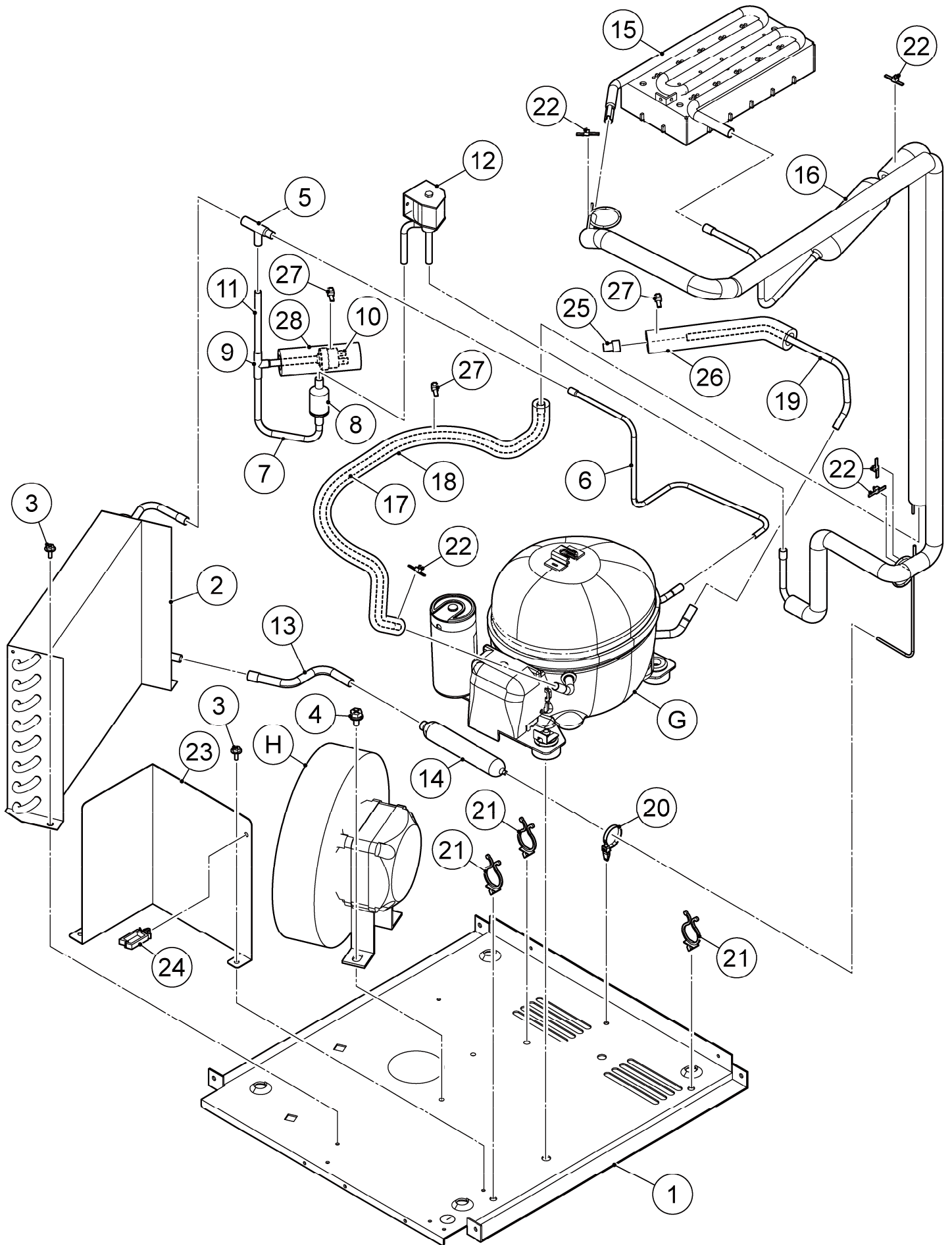
- First letter
- S: Machine screw
- T: Tapping screw
- M: Wood screw
- B: Bolt
- W: Washer
- N: Nut



HE

MODEL: IM-30CNE-HC(-25) IM-21CNE-HC		TITLE: A. ICE FLAKER ASSY						
INDEX NO.	DESCRIPTION	MATERIAL OR MODEL NUMBER	PART NUMBER	REQ'D NUMBER				
				E-1				
B	REFRIGERATION ASSY	IM-30CNE-HC	123670A01	1				
		IM-21CNE-HC	123670001	1				
		IM-30CNE-HC-25	123670002	1				
C	ICE MAKING MECHANISM ASSY	IM-30CNE-HC, IM-21CNE-HC	1H4799A02	1				
		IM-30CNE-HC-25	1H4799001					
D	CONTROL BOX ASSY		267800A01	1				
E	DOOR ASSY		3Y5551A01	1				
F	WATER CIRCUIT ASSY		3Y5553A01	1				
P	ACCESSORIES	IM-30CNE-HC, IM-30CNE-HC-25	A03092-01	1				
		IM-21CNE-HC	A03093-01	1				
Q	OPTIONAL PARTS - GAS SENSOR		OPT-M062	1				
1	UNIT FRAME		1H4797G06	1				
2	TRUSS HEAD TAPPING SCREW T2		1H4796Z01	4				
3	TRUSS HEAD TAPPING SCREW T2		FT20410S0	4				
4	Flange Bolt (C-TITE)		FTR0408M0	2				
5	HINGE (RIGHT)		4H2583-01	1				
6	HINGE (LEFT)		4H2584-01	1				
7	HEX HEAD BOLT (SPRING WASHER AND FLAT WASHER)		FBK0616S0	4				
8	SLOPE		3H3628-01	1				
9	INSULATION-FRONT FRAME		4H2317-01	1				
10	DRAIN PAN		2H1442-01	1				
11	DRAIN TUBE		4H2585-01	1				
12	DRAIN PIPE		4Y7493P02	1				
13	FRONT PANEL(UPPER)		3Y5548G01	1				
14	INSULATION - TOP		3Y5954P02	1				
15	PAN HEAD SCREW SW		FSK0408S0	2				
16	FRONT PANEL(LOWER)		381650G01	1				
17	HOOK		404060-08	1				
18	SPRING		4H0491-01	1				
19	SEAL(B)		4Y7171P01	1				
20	COVER - PIPE		3Y8281M01	1				



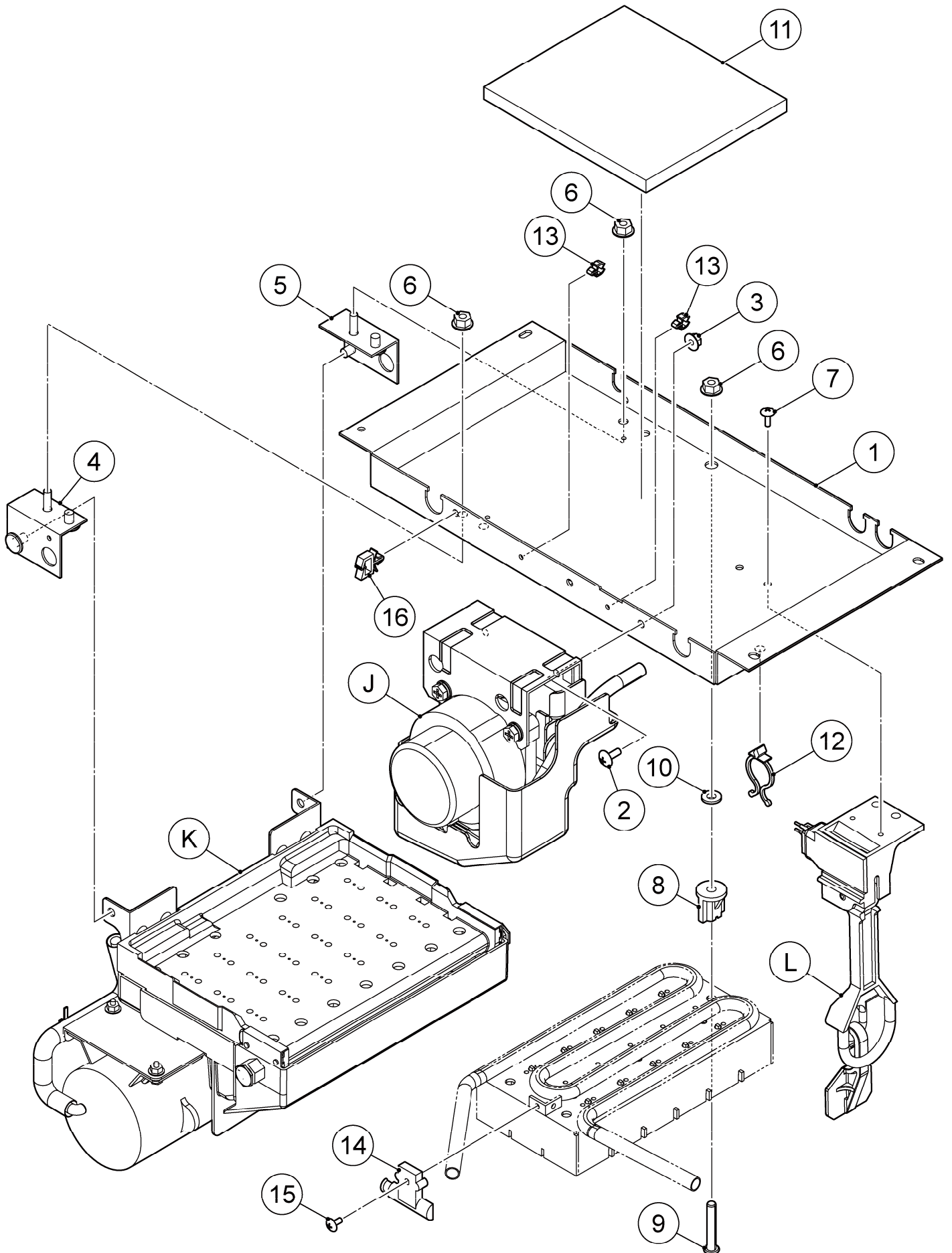


HE

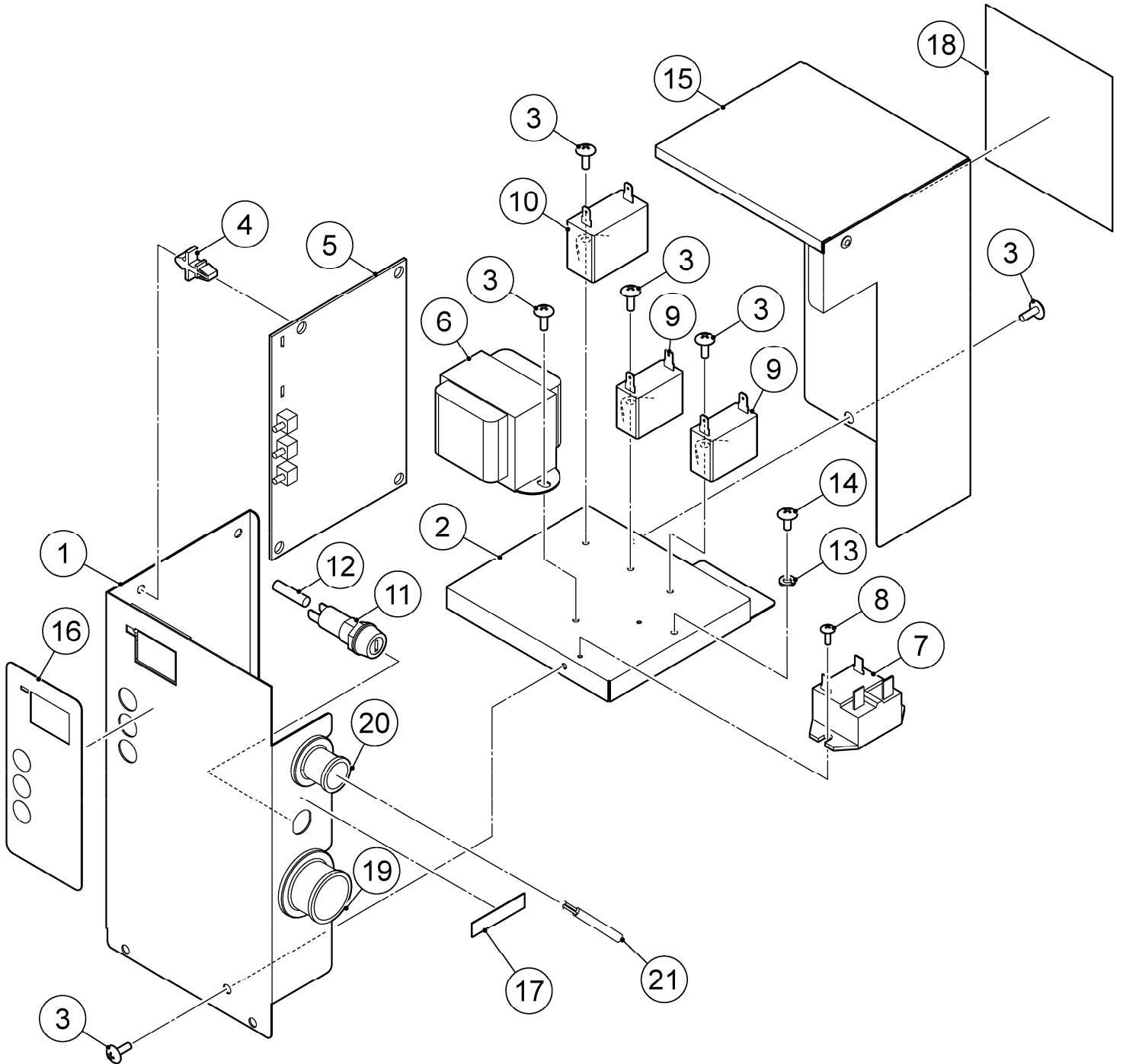
MODEL: IM-30CNE-HC(-25) IM-21CNE-HC		TITLE: B. REFRIGERATION ASSY							
INDEX NO.	DESCRIPTION	MATERIAL OR MODEL NUMBER	PART NUMBER	REQ'D NUMBER					
				E-1					
G	COMPRESSOR ASSY		381641A01	1					
H	FAN MOTOR ASSY		3Y5554A01	1					
1	BASE		123661M01	1					
2	CONDENSER		P03554-01	1					
3	FLANGE BOLT (S-TITE)		FTQ0410M0	4					
4	HEX HEAD BOLT (SPRING WASHER AND FLAT WASHER)		FBK0612F0	2					
5	TEE		420041-03	1					
6	COPPER TUBE(H)		381642M01	1					
7	COPPER TUBE(A1)-HOT GAS	COPPER TUBE A- HOT GAS 381643G01	481074M01	1					
8	STRAINER	COPPER TUBE A- HOT GAS 381643G01	P00008-01	1					
9	TEE - 6.4	COPPER TUBE A- HOT GAS 381643G01	417394-01	1					
10	PRESSURE SWITCH	R134a,R22,R404A,R290 COPPER TUBE A- HOT GAS 381643G01	459863-08	1					
11	COPPER TUBE (A2) - HOT GAS	COPPER TUBE A- HOT GAS 381643G01	481075M01	1					
12	HOT GAS VALVE		P02539-01	1					
13	COPPER TUBE-DRIER		4Y7173M01	1					
14	DRIER		P03584-01	1					
15	EVAPORATOR	IM-30CNE-HC, IM-21CNE-HC	3H9020G02	1					
		IM-30CNE-HC-25	3H3881G01	1					
16	HEAT EXCHANGER ASSY		381646G01	1					
17	COPPER TUBE (L)	COPPER TUBE (L) 3Y5621G01	3Y5621M01	1					
18	INSULATION TUBE	COPPER TUBE (L) 3Y5621G01	H70717550	1					
19	PROCESS TUBE		4Y7174M01	1					
20	TIE		457167-01	1					
21	CLAMP	No.2674	427902-02	3					
22	TIE	CV-100N,T18R	7920-0002	5					
23	BARRIOR		381644M01	1					
24	WIRE SADDLE		428060-02	1					
25	LOCKRING STOPPER		P01677-01	1					



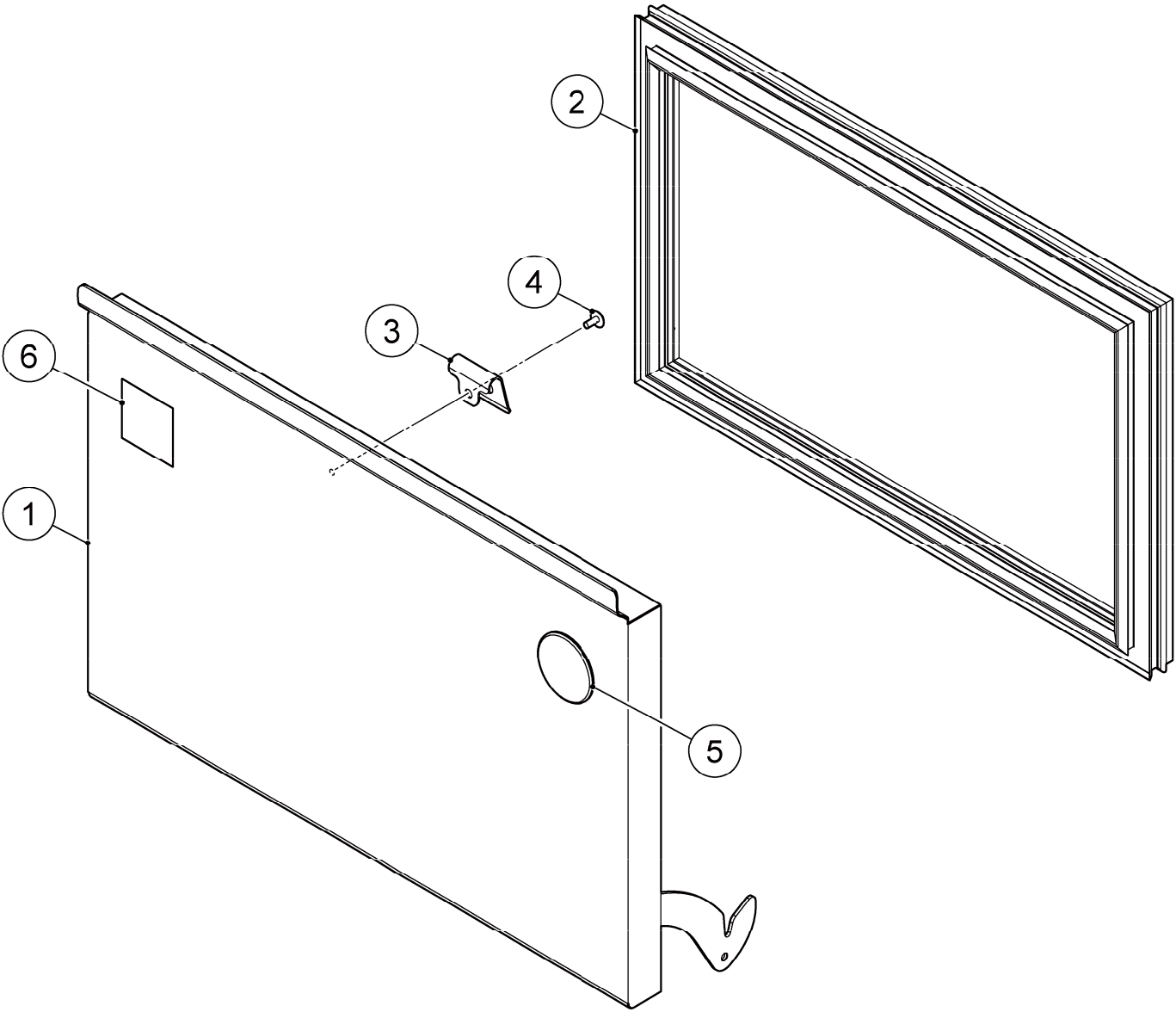




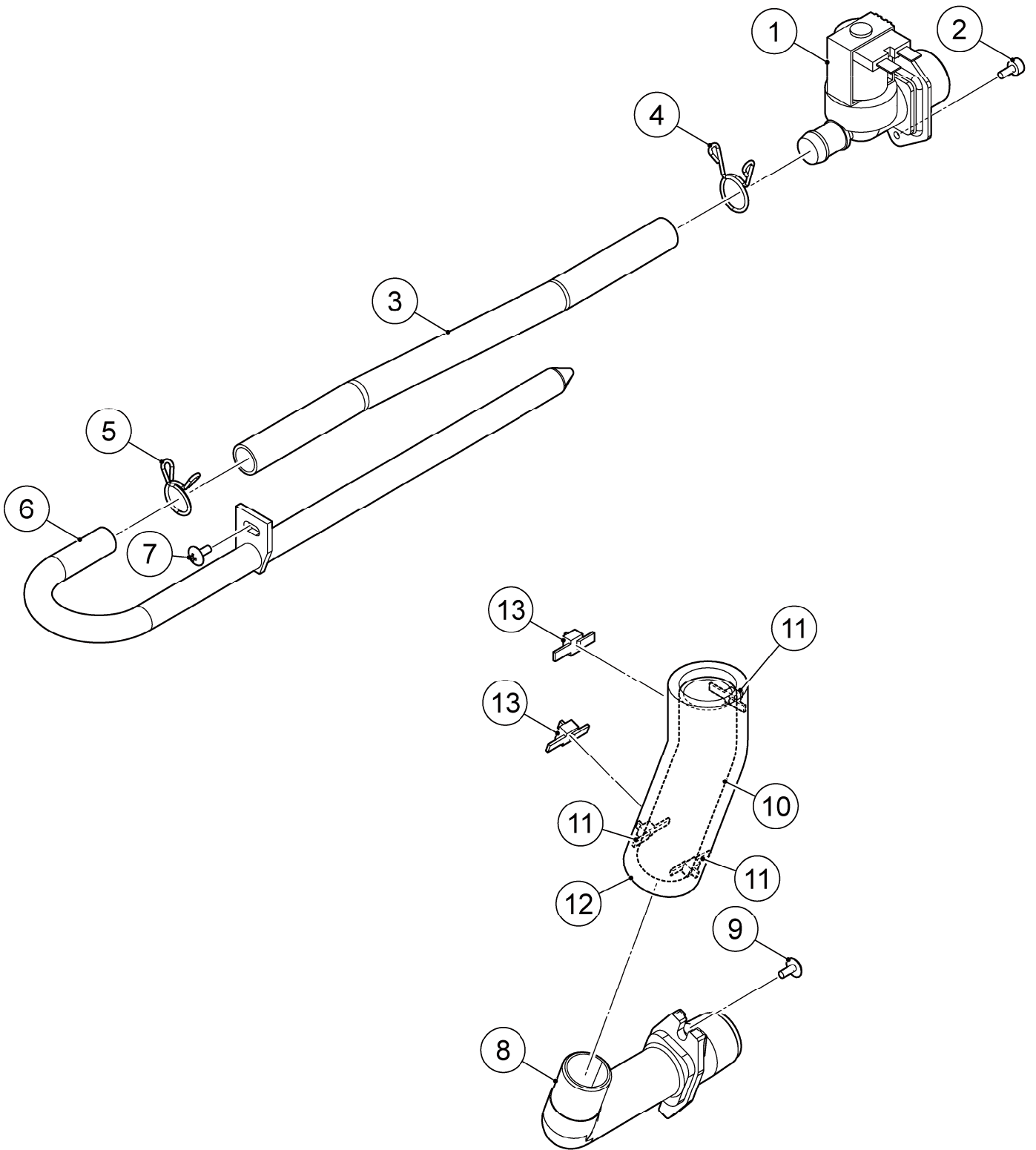






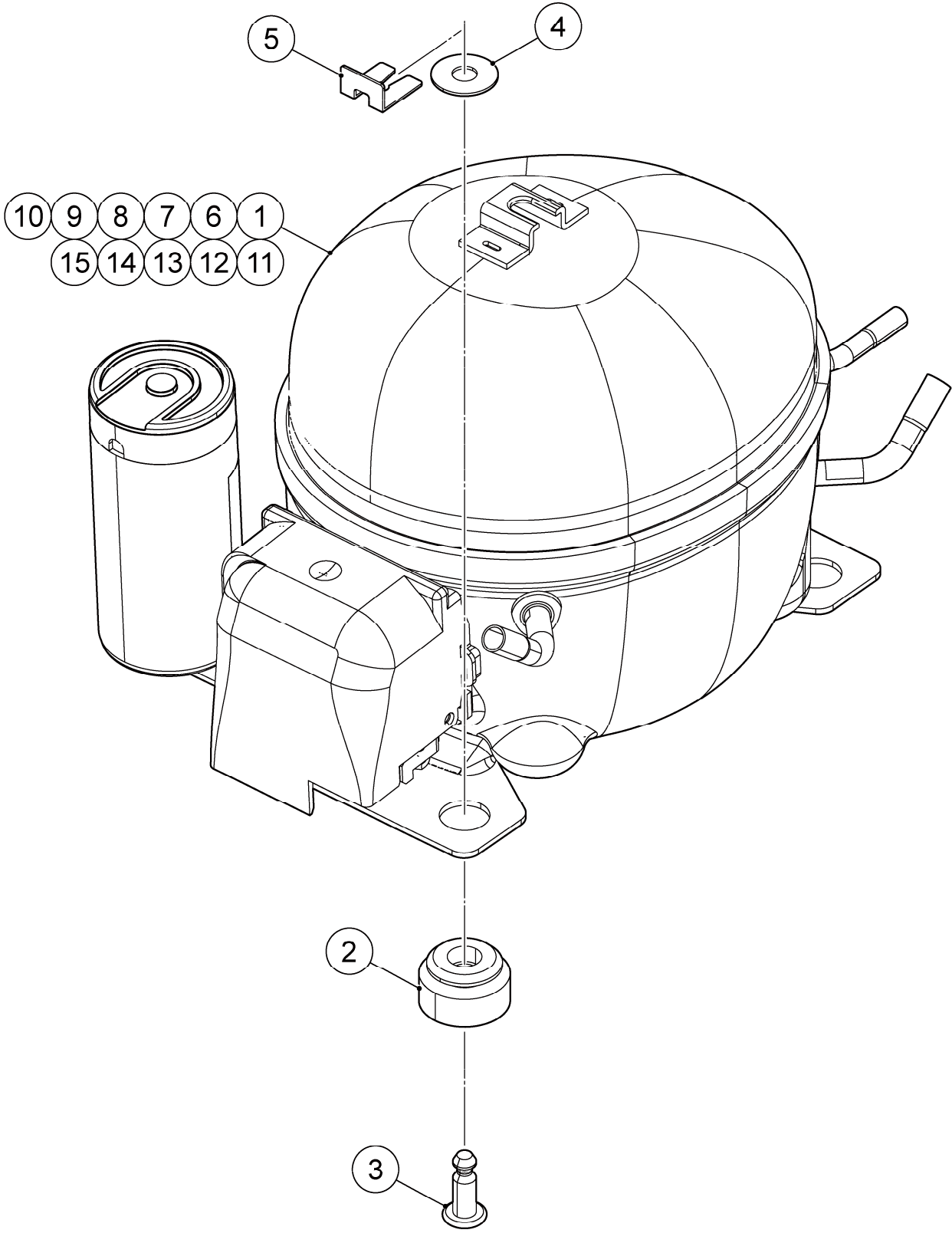




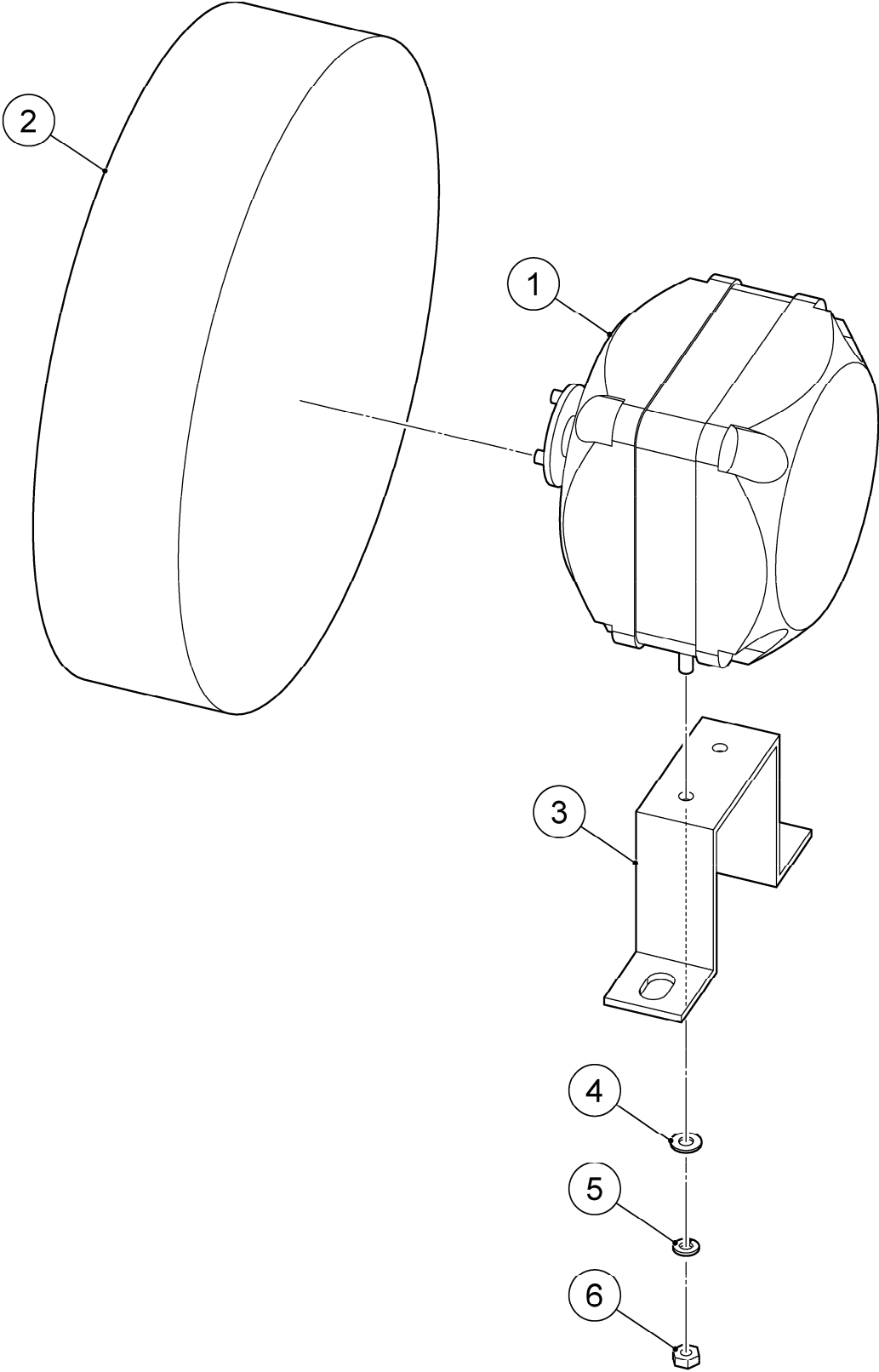




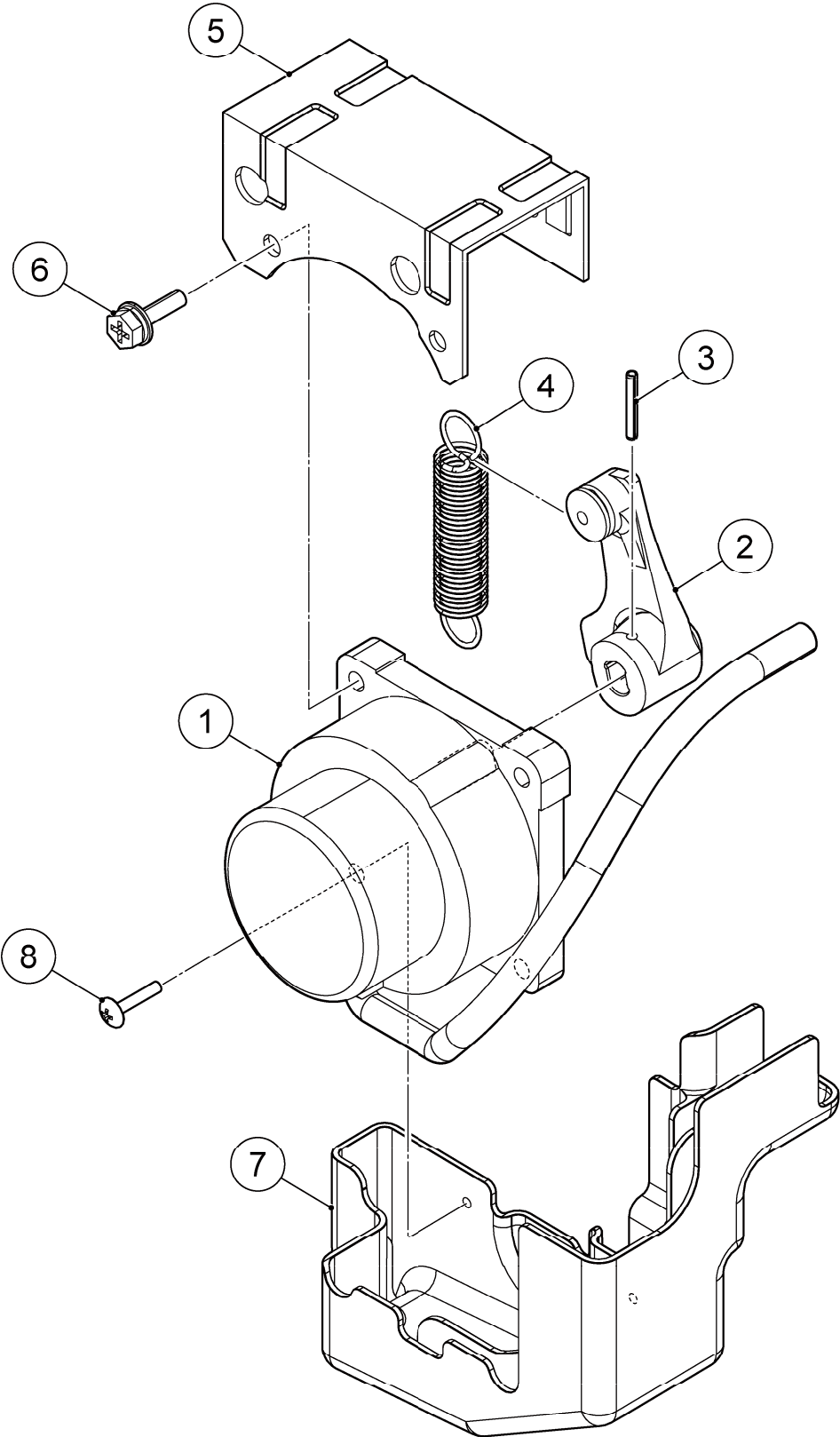










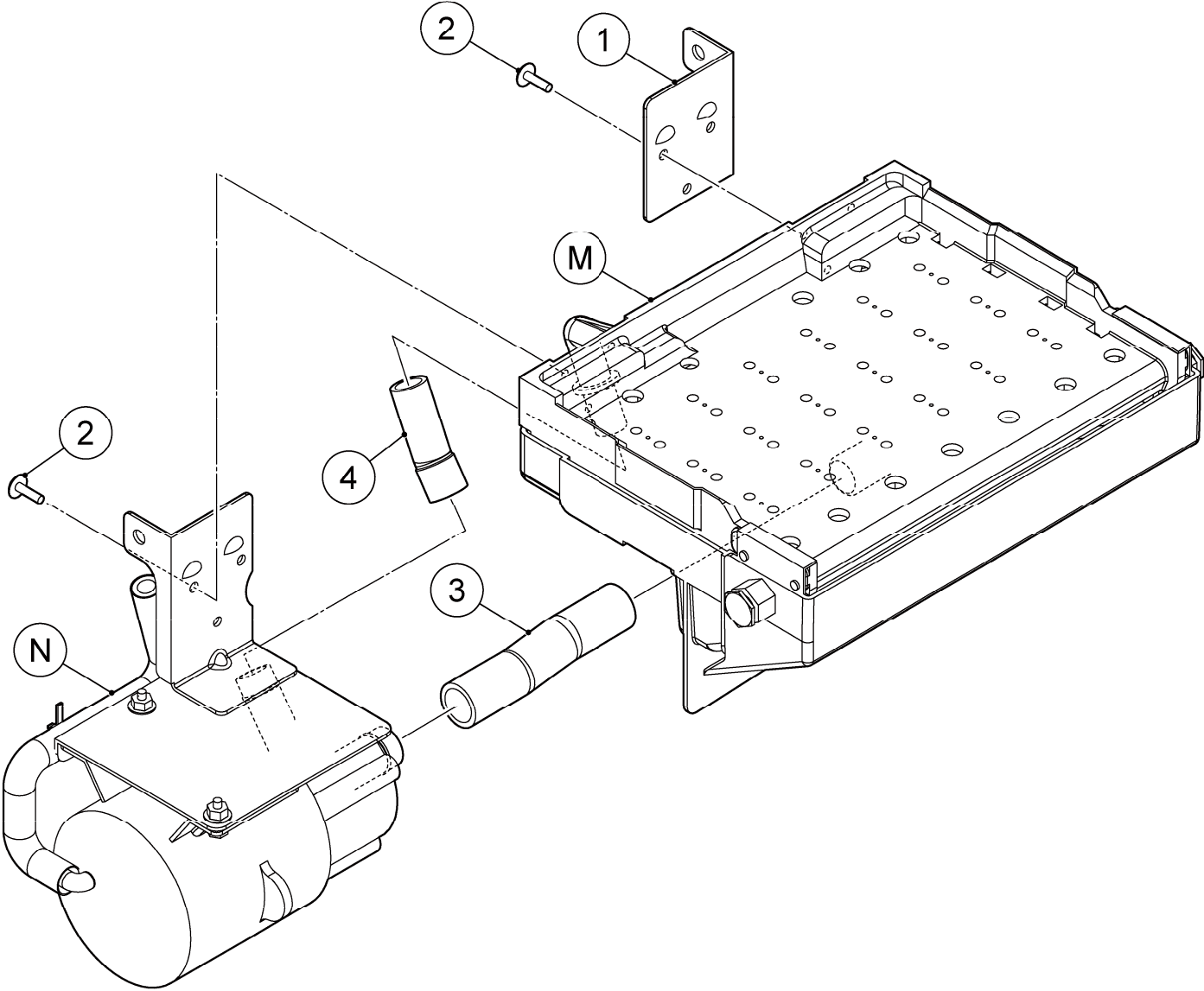




IM-21CNE-HC  
IM-30CNE-HC(-25)

K. WATER PAN ASSY

(E-1) and later







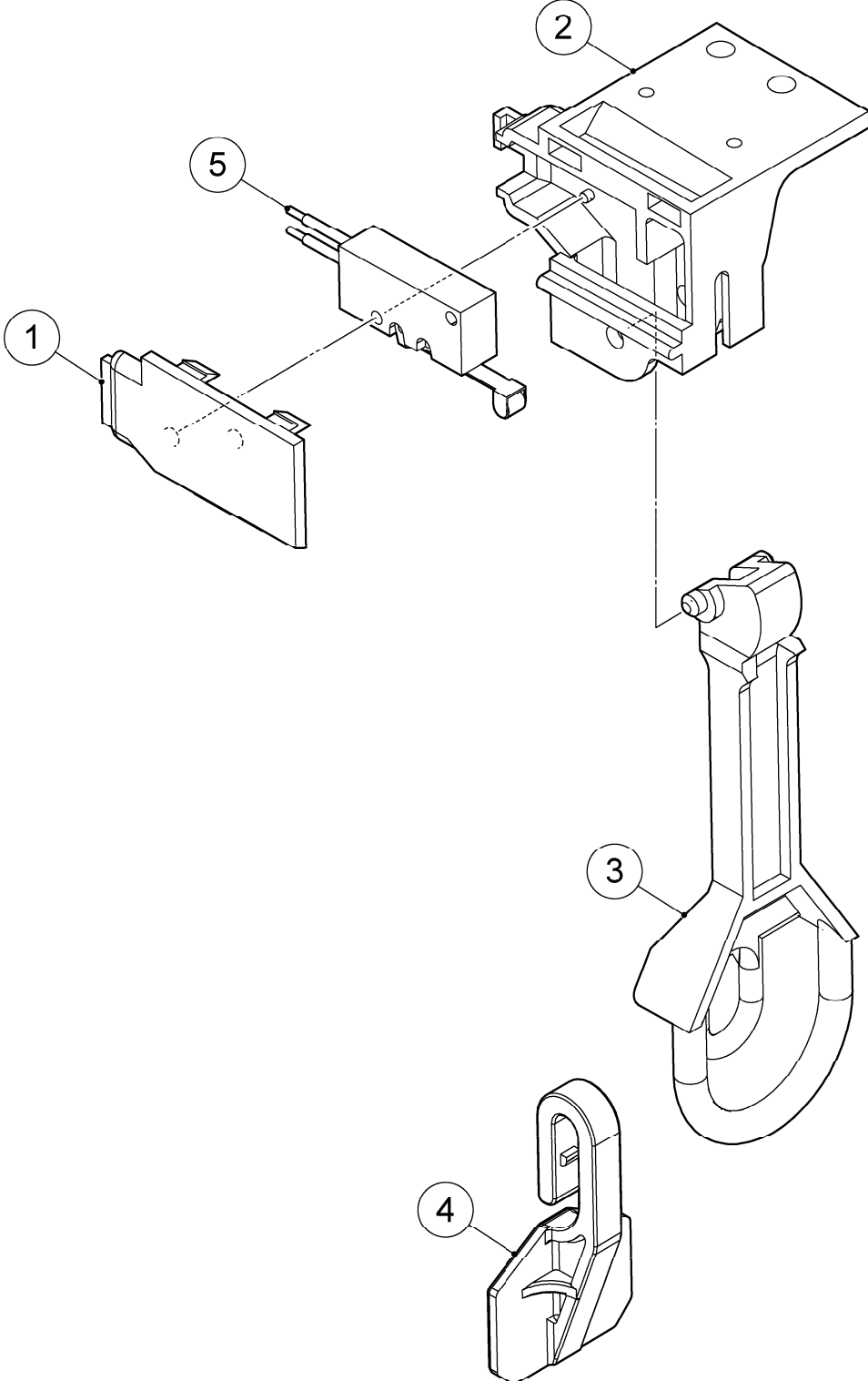
(S-0816)

IM-21CNE-HC

IM-30CNE-HC(-25)

L. BIN CONTROL SWITCH ASSY

(E-1) and later

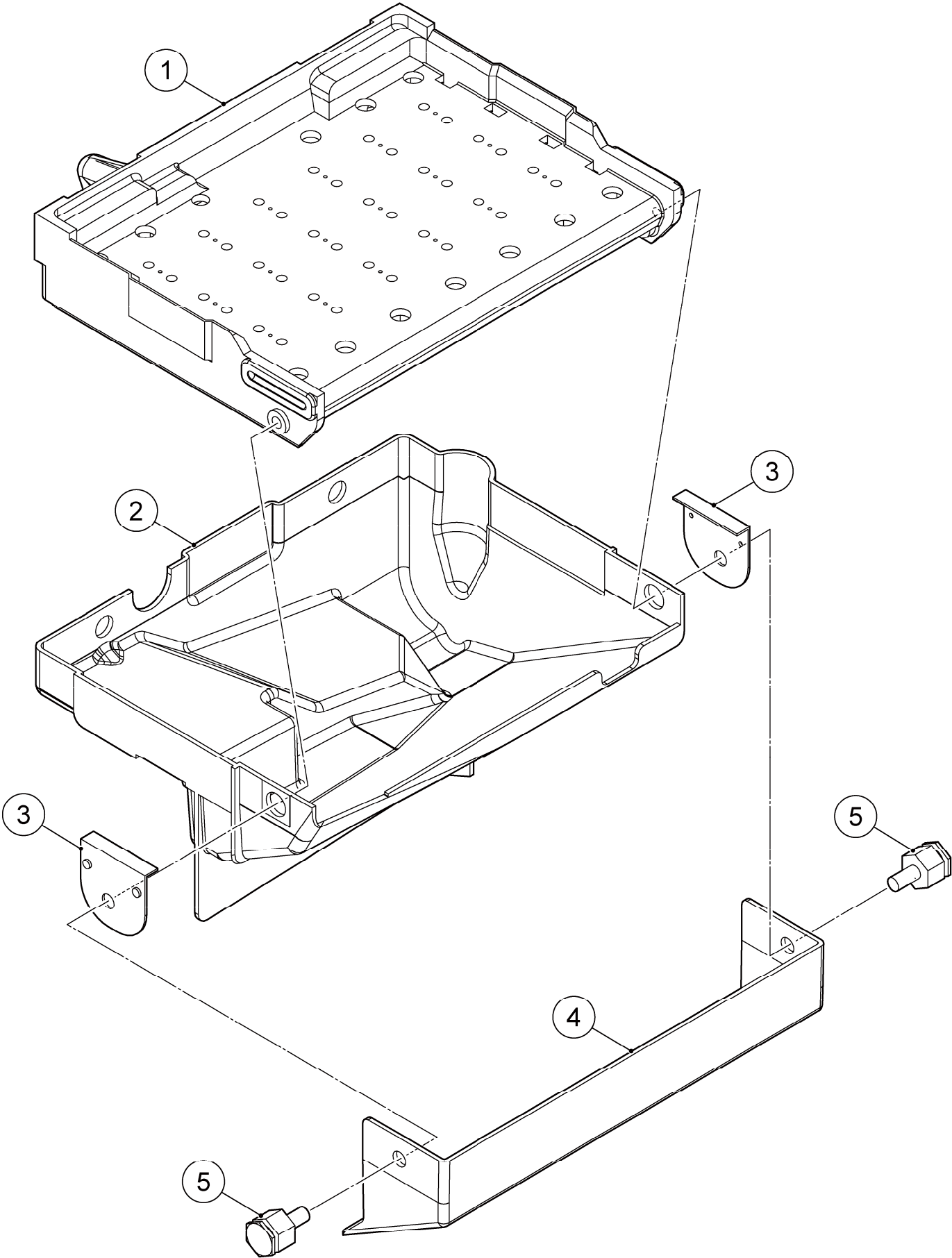




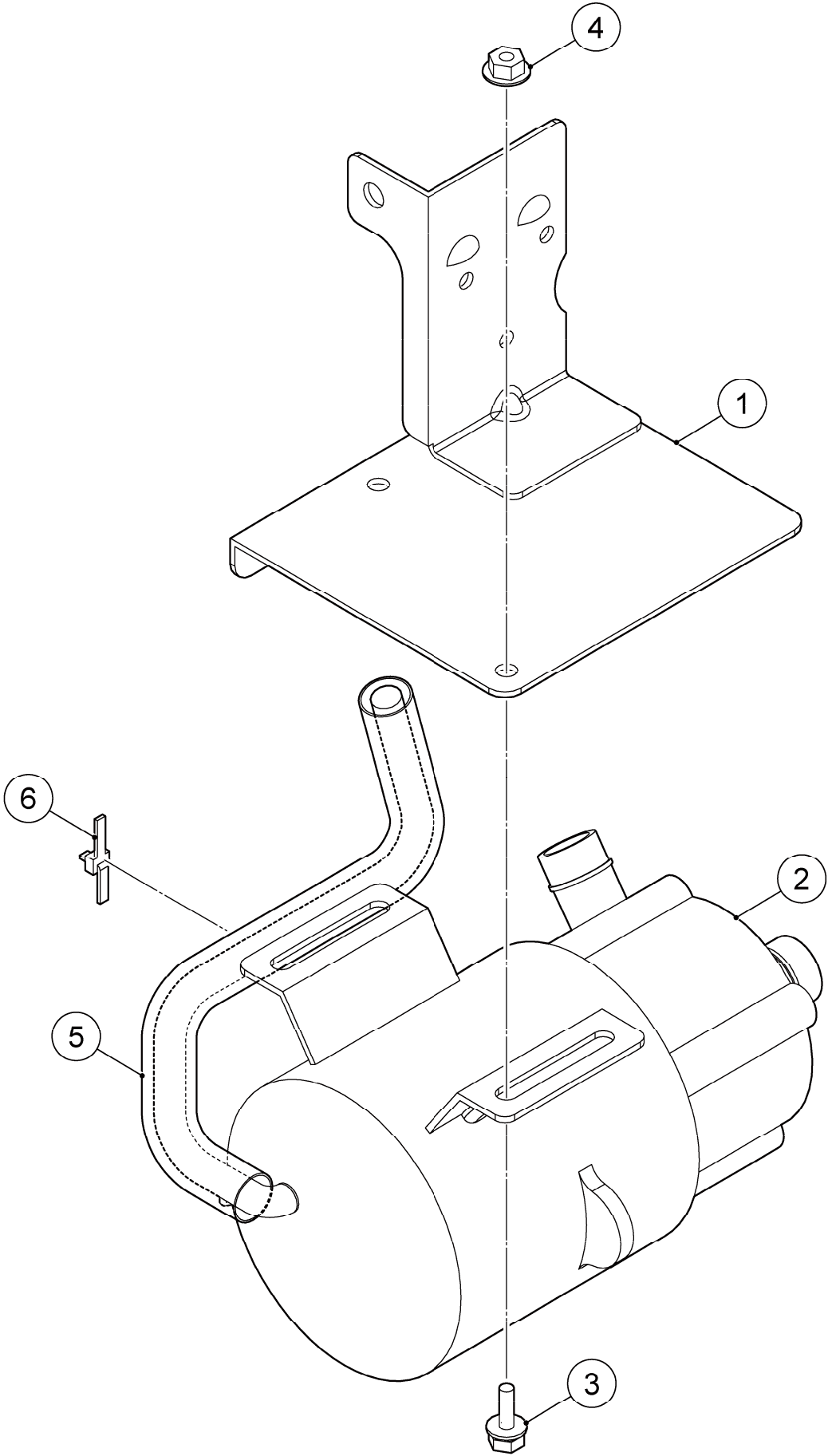
IM-21CNE-HC  
IM-30CNE-HC(-25)

M. WATER PLATE ASSY

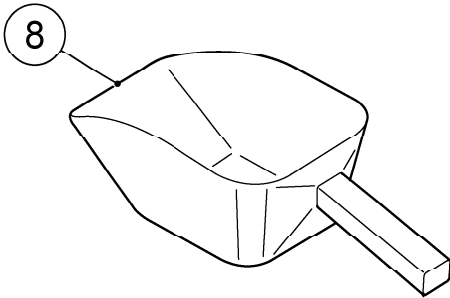
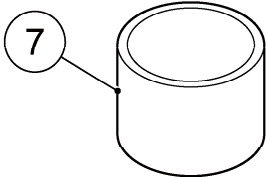
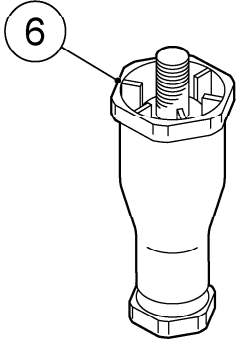
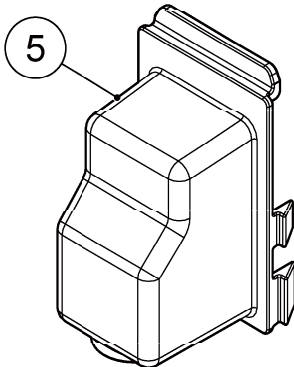
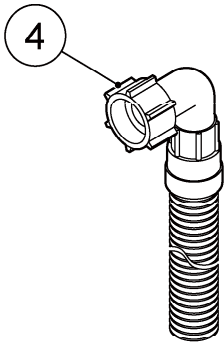
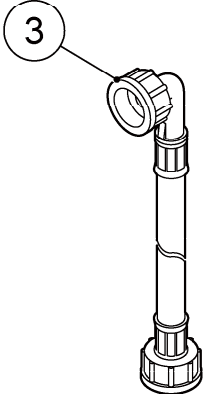
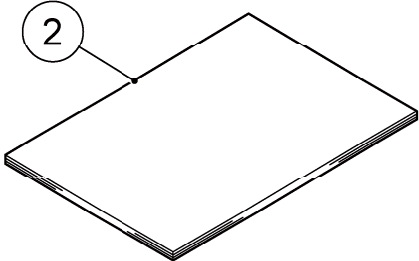
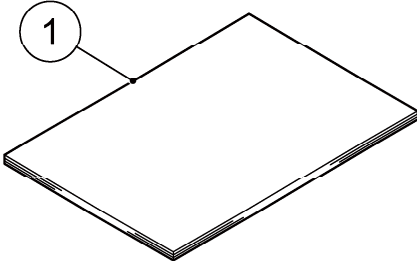
(E-1) and later





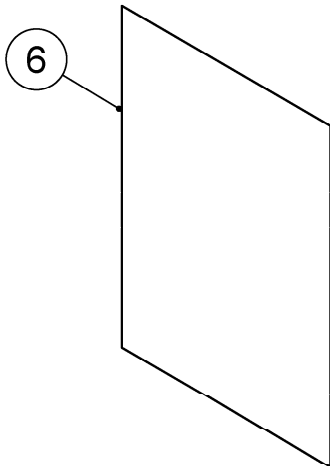
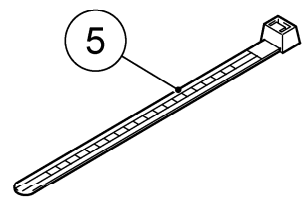
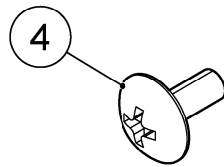
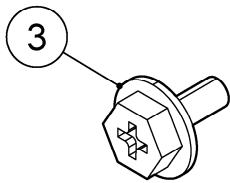
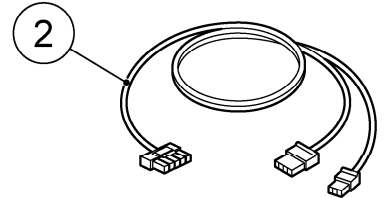
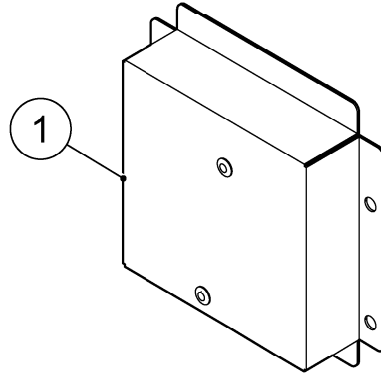
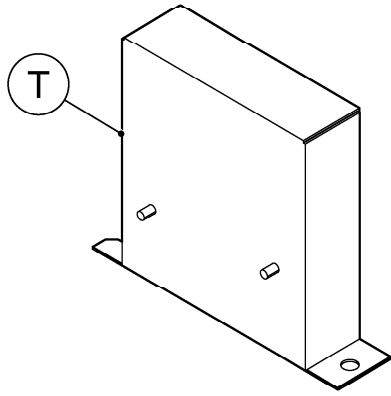














IM-21CNE-HC  
IM-30CNE-HC(-25)

R. GAS SENSOR ASSY

(E-1) and later

