



SELF-CONTAINED CUBER

IM-100NE-HC
IM-100NE-HC-23

PARTS LIST

[HE] [GRAM]

M036
M036-D001,D020

D-1 OCT.2014

M036-3978 (0716)

List of Specifications

IM-100NE-HC	M036	Standard
IM-100NE-HC-23	M036-D001	23mm ICE of IM-100NE-HC
IM-100NE-HC	M036-D020	For GRAM

Auxiliary Codes

Auxiliary Code Breakdown

The auxiliary code is the first two characters in the serial number. The first character indicates the year. Years progress or regress in alphabetical order. The series runs from "A" through "V" and the letters "I" and "O" are skipped. The second character indicates significant part changes within a year. Base is "0" and this number advances for each change. In cases where there is a letter in parentheses, this designates the month. This is the last character in the serial number. The series runs from "(A)" through "(M)" and the letter "(I)" is skipped. This designation is only included when identifying a parts change within an auxiliary code.

Note About Ordering Parts

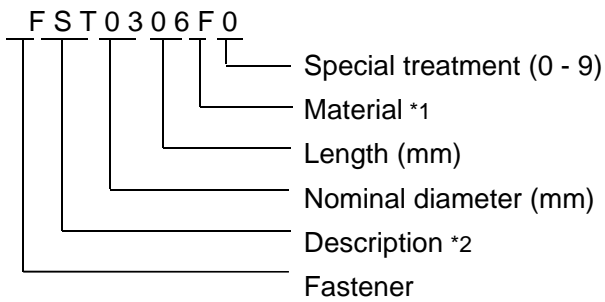
Most assemblies cannot be ordered as complete units; parts in the assemblies generally must be ordered separately.

MARKS LOCATED UNDER THE AUXILIARY CODE

- = Part deleted.

FASTENER PART NUMBER

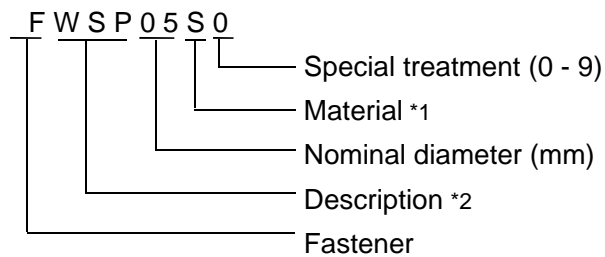
SCREWS



*1

F: Steel
S: Austenitic stainless steel
M: Martensitic stainless steel
B: Copper alloy
P: Polycarbonate
N: Polyamide
V: PVC
A: ABS
X: Polyacetal
L: Aluminum

NUTS & WASHERS



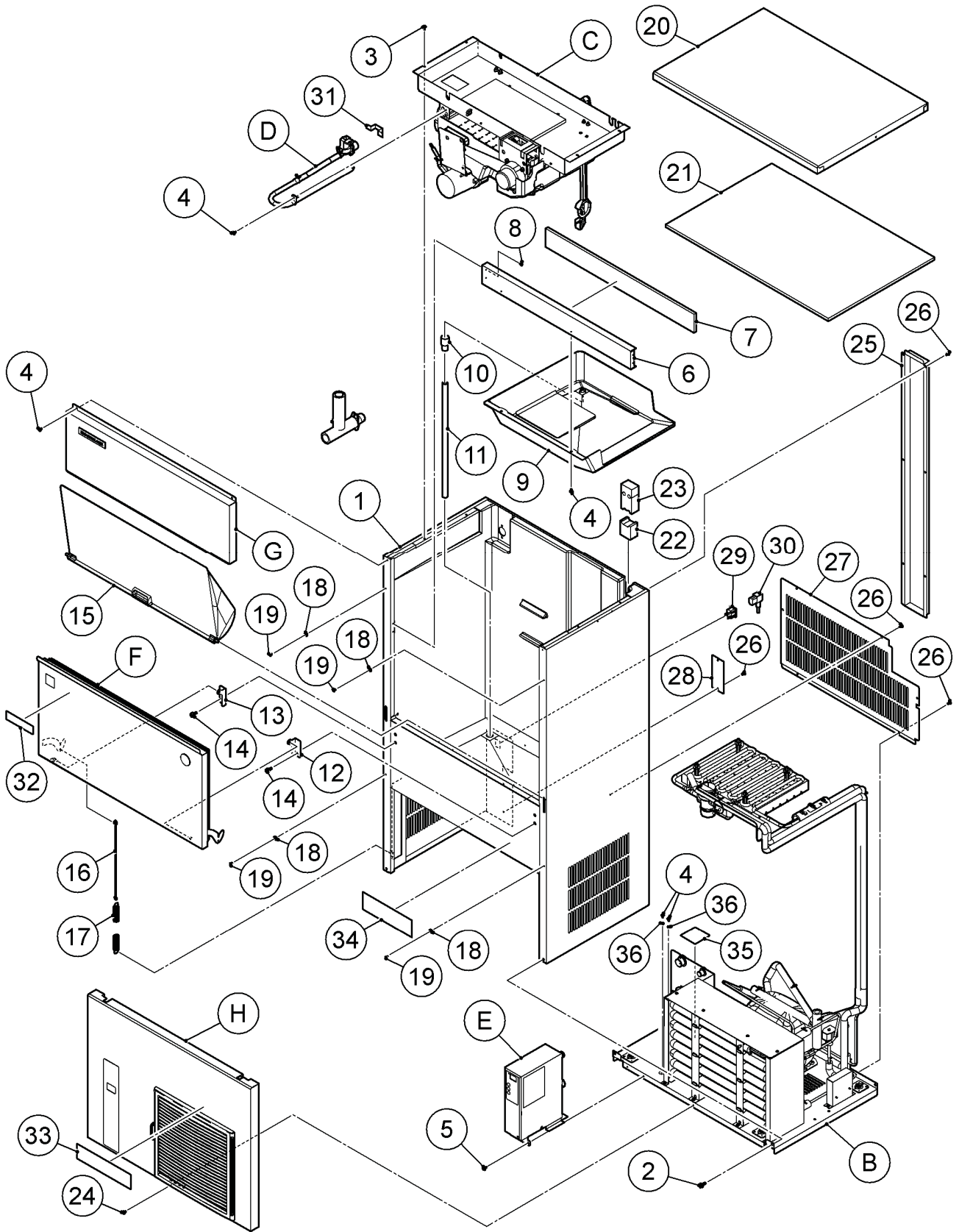
*2

First letter
S: Machine screw
T: Tapping screw
M: Wood screw
B: Bolt
W: Washer
N: Nut

IM-100NE-HC
IM-100NE-HC-23

A. ICE CUBER ASSY

(D-1) and later



HE, GRAM

MODEL: IM-100NE-HC, IM-100NE-HC-23		TITLE: A. ICE CUBER ASSY					
INDEX NO.	DESCRIPTION	MATERIAL OR MODEL NUMBER	PART NUMBER	REQ'D NUMBER			
				D-1			
B	REFRIGERATION ASSY	IM-100NE-HC	123242A01	1			
		IM-100NE-HC-23	123242001	1			
C	MECHANISM ASSY		1H4992A01	1			
D	WATER CIRCUIT ASSY		266545A01	1			
E	CONTROL BOX ASSY		266499A01	1			
F	DOOR ASSY	(HE)	3Y5436A01	1			
		(GRAM)	3Y5436001	1			
G	FRONT COVER UPPER ASSY	(HE)	3Y6139A01	1			
		(GRAM)	3Y6139A02	1			
H	FRONT COVER LOWER ASSY		380363A01	1			
R	ACCESSORIES		A02985-01	1			
1	UNIT BODY		1H4951G01	1			
2	TRUSS HEAD TAPPING SCREW T2	6*16	1H4392Z02	4			
3	TRUSS HEAD SCREW		FST0410S0	4			
4	TRUSS HEAD SCREW		FST0408S0	7			
5	Flange Bolt (C-TITE)		FTR0408M0	2			
6	FRONT FRAME		3Y6546M01	1			
7	INSULATION-FRONT FRAME		4H2687-01	1			
8	RIVET	SSD42SSBS(t1.6~3.2)	7170-0002	4			
9	DRAIN PAN		2H1935-01	1			
10	DRAIN TUBE		4H2585-01	1			
11	DRAIN PIPE		4Y7493P05	1			
12	HINGE (RIGHT)		4H2583-01	1			
13	HINGE (LEFT)		4H2584-01	1			
14	HEX HEAD BOLT (SPRING WASHER AND FLAT WASHER)		FBK0616S0	4			
15	SLOPE		3H2978G01	1			
16	HOOK		4H2685-01	1			
17	SPRING		4H0823-01	1			
18	TAPER COLLAR		4H0171-01	4			
19	RIVET	SSD42BS	7170-0001	4			
20	TOP PANEL		1H4995M01	1			
21	INSULATION-TOP PANEL		3H9602-01	1			
22	INSULATION (A)		4H2683-01	1			

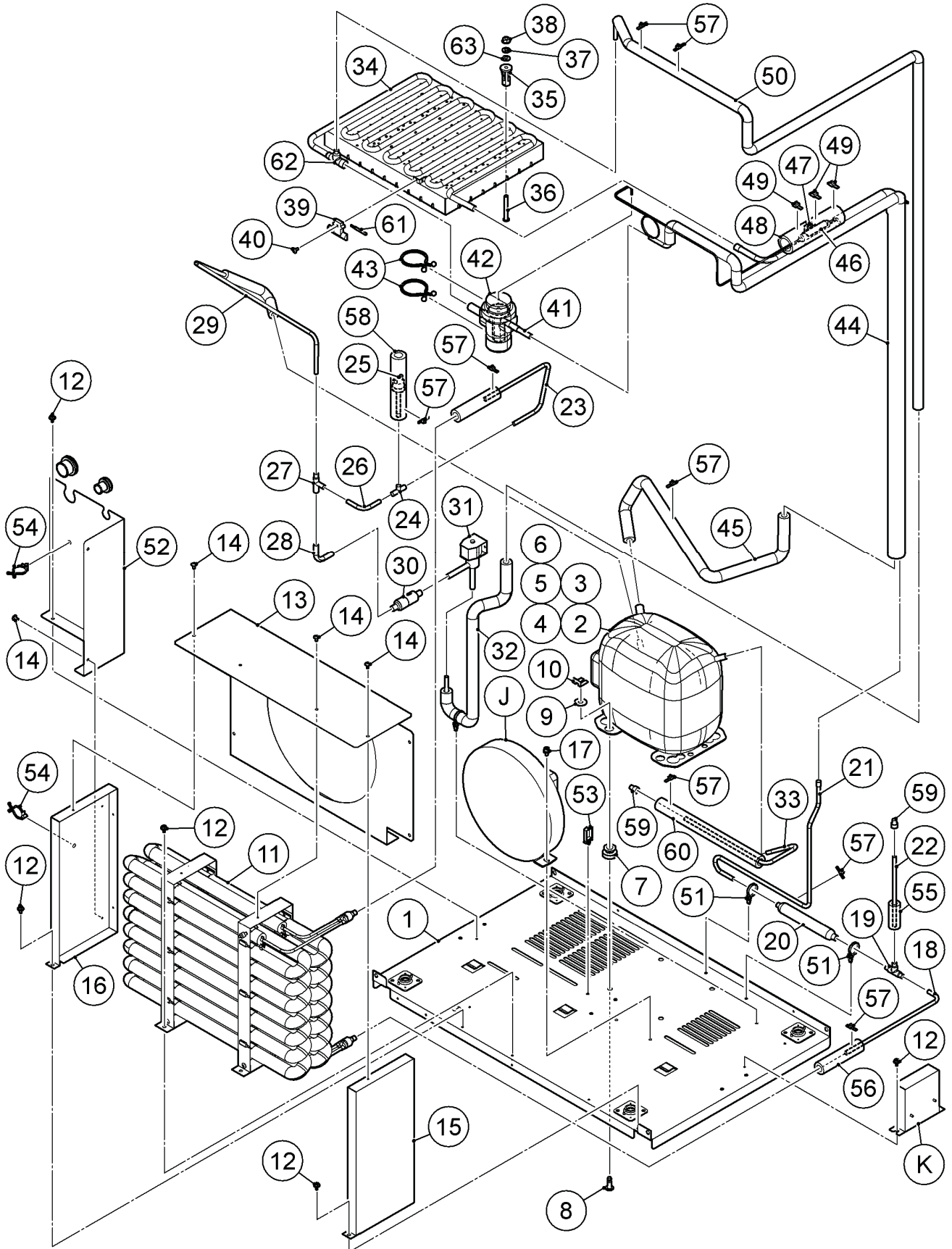
HE, GRAM

MODEL: IM-100NE-HC, IM-100NE-HC-23		TITLE: A. ICE CUBER ASSY					
INDEX NO.	DESCRIPTION	MATERIAL OR MODEL NUMBER	PART NUMBER	REQ'D NUMBER			
				D-1			
23	INSULATION(B)		4Y7510P01	1			
24	PAN HEAD SCREW SW		FSK0408S0	1			
25	COVER - PIPE		3Y6142M01	1			
26	T2 TRUSS HEAD SCREW		FT20408F0	14			
27	REAR COVER		2X0843M01	1			
28	COVER-REAR		4Y7004M01	1			
29	CONNECTOR		P00245-02	1			
30	POWER SUPPLY CORD	EU-Plug(10A)	P03359-01	1			
		UK-Plug(10A)	P03360-01	1			
31	CAUTION-LABEL		452552-01	1			
32	LABEL - HFCFREE		373508L01	1			
33	WARNING LABEL - RISK OF FIRE		377581L01	1			
34	CAUTION LABEL		377702L01	1			
35	LABEL - R290		474520L01	1			
36	SPRING WASHER		FWSP04S0	2			

IM-100NE-HC
IM-100NE-HC-23

B. REFRIGERATION ASSY

(D-1) and later



HE, GRAM

MODEL: IM-100NE-HC, IM-100NE-HC-23		TITLE: B. REFRIGERATION ASSY		REQ'D NUMBER			
INDEX NO.	DESCRIPTION	MATERIAL OR MODEL NUMBER	PART NUMBER	D-1			
				J	FAN MOTOR ASSY		380409A01
K	GAS SENSOR ASSY		480188A01	1			
1	BASE (G)		380404G01	1			
2	COMPRESSOR		P03538-01	1			
3	STARTING RELAY		P01909-01	1			
4	START CAPACITOR		456350-01	1			
5	CORD RELIEF		452239-01	1			
6	COVER		P01179-01	1			
7	GROMMET		450897-01	4			
8	STEEL PIN		452255-01	4			
9	WASHER CUSHION		P02793-01	4			
10	CLIP		452256-01	4			
11	CONDENSER ASSY		266549G01	1			
12	Flange Bolt (C-TITE)		FTR0408M0	7			
13	SHROUD		380405M01	1			
14	T2 TRUSS HEAD SCREW		FT20408F0	10			
15	SHROUD (R) - SIDE		380407M01	1			
16	SHROUD (L) - SIDE		380408M01	1			
17	HEX HEAD BOLT (SPRING WASHER AND FLAT WASHER)		FBK0612F0	2			
18	PIPE (A) - HIGH SIDE		480185M01	1			
19	TEE		456655-01	1			
20	DRIER		458776-01	1			
21	PIPE(C) - HIGH SIDE		380410M01	1			
22	PROCESS TUBE		4Y0273-01	1			
23	PIPE (B2) - HIGH		480201M01	1			
24	TEE - 6.4		417394-01	1			
25	PRESSURE SWITCH	R134a,R22,R404A,R290	459863-08	1			
26	PIPE (B1) - HIGH SIDE		480187M01	1			
27	TEE		420041-03	1			
28	PIPE (A) - HIGH		480186M01	1			
29	PIPE (B4) - HIGH		380413G01	1			
30	STRAINER		P00812-01	1			

HE, GRAM

MODEL: IM-100NE-HC, IM-100NE-HC-23		TITLE: B. REFRIGERATION ASSY					
INDEX NO.	DESCRIPTION	MATERIAL OR MODEL NUMBER	PART NUMBER	REQ'D NUMBER			
				D-1			
31	HOT GAS VALVE		P01871-01	1			
32	PIPE (C) - HOT GAS		380412G01	1			
33	PIPE(A) - PROSESS		4Y7466M01	1			
34	EVAPORATOR	IM-100NE-HC	2H6438G03	1			
	EVAPORATOR 23MM	IM-100NE-HC-23	2H1836G01	1			
35	COLLAR		3H3879-01	4			
36	SCREW EVAPORATOR	IM-100NE-HC	4Y4922M02	4			
		IM-100NE-HC-23	4Y4922M03	4			
37	WASHER		4H0777-01	4			
38	FLANGE NUT		FNHF06S0	4			
39	HOLDER - THERMISTOR		3H9642-01	1			
40	S-TITE TRUSS HEAD SCREW		FTS0408M0	1			
41	EXPANSION VALVE		P03545-01	1			
42	VALVE COVER		3Y3051P01	1			
43	CLAMP		P00752-01	2			
44	HEAT EXCHANGER		2X0782G01	1			
45	PIPE (B) - LOW SIDE		380414G01	1			
46	HOLDER - EXP. VALVE 3/8		3A0107-01	1			
47	CLAMP		443461-01	1			
48	INSULATION		4X8643-01	2			
49	NYLON TIE	CV-200	7920-0010	3			
50	PIPE(D) - HOT GAS		3Y6042G01	1			
51	PUSH MOUNT TIE		436156-01	3			
52	BARRIER		380415M01	1			
53	WIRE SADDLE		428060-02	1			
54	CLAMP	No.2674	427902-02	2			
55	INSULATION TUBE		H71020050	1			
56	Insulation Tube		H71323B10	2			
57	TIE	CV-150	7920-0003	8			
58	Insulation Tube		H71527130	1			
59	LOCKRING STOPPER		P01677-01	2			
60	INSULATION TUBE		H71323200	1			
61	THERMISTOR-CUBE COTROL		P00350-04	1			

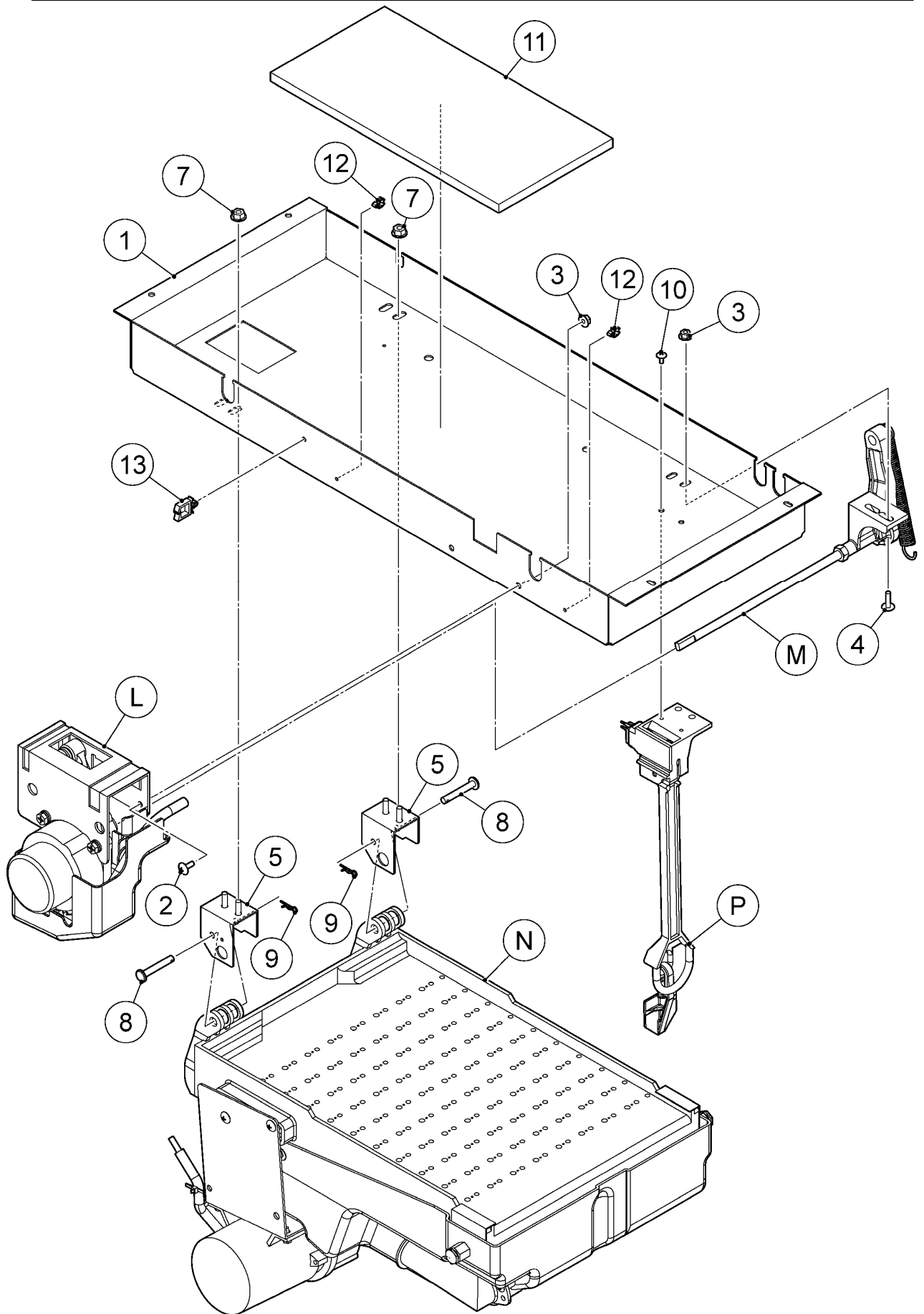
HE, GRAM

MODEL: IM-100NE-HC, IM-100NE-HC-23		TITLE: B. REFRIGERATION ASSY					
INDEX NO.	DESCRIPTION	MATERIAL OR MODEL NUMBER	PART NUMBER	REQ'D NUMBER			
				D-1			
62	TEE		420335-01	1			
63	WASHER	IM-100NE-HC-23	4H1365-05	4			

IM-100NE-HC
IM-100NE-HC-23

C.MECHANISM ASSY

(D-1) and later



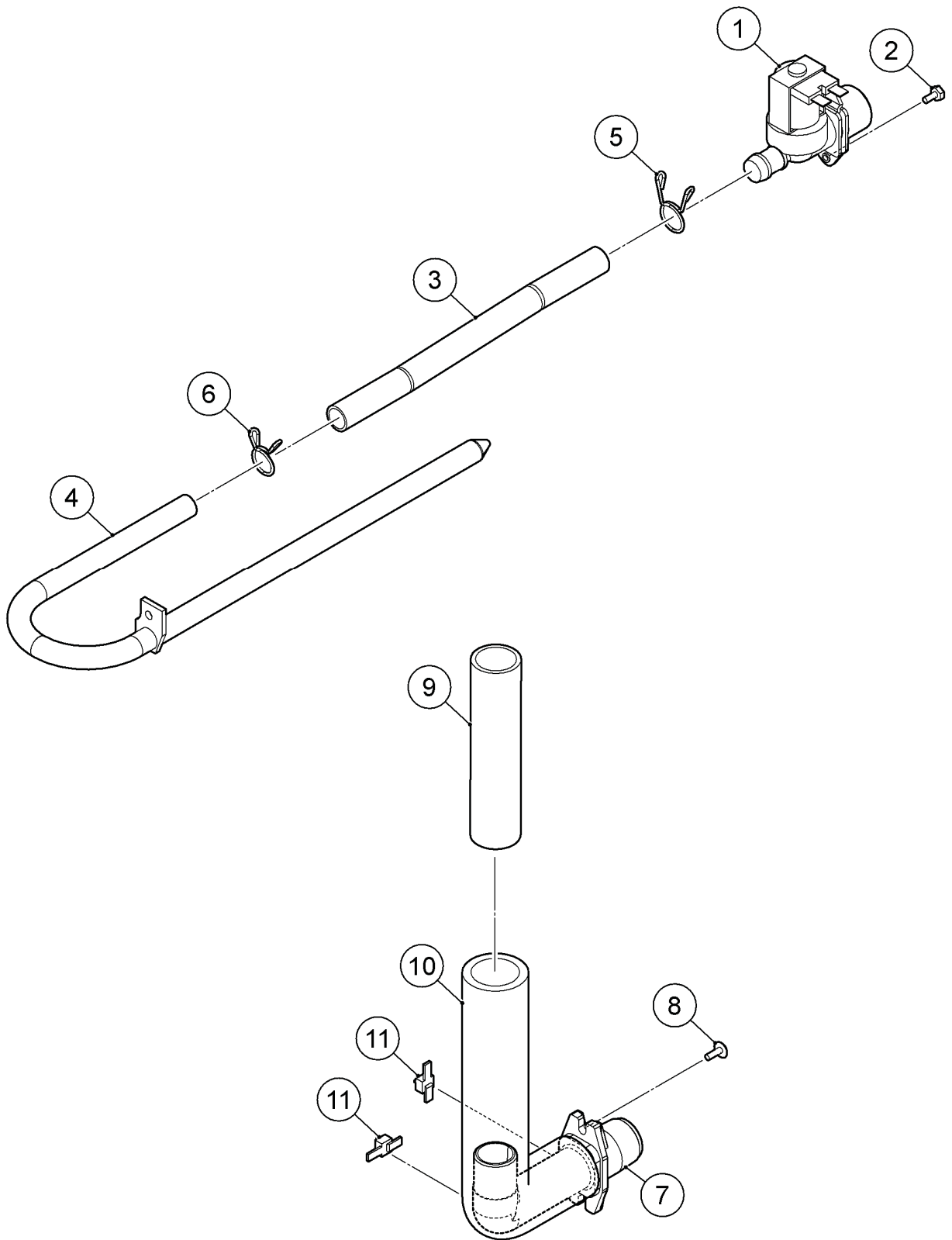
HE, GRAM

MODEL: IM-100NE-HC, IM-100NE-HC-23		TITLE: C. MECHANISM ASSY					
INDEX NO.	DESCRIPTION	MATERIAL OR MODEL NUMBER	PART NUMBER	REQ'D NUMBER			
				D-1			
L	ACTUATOR MOTOR ASSY		3Y8847A02	1			
M	CAM SHAFT ASSY		3Y6280A01	1			
N	WATER PAN ASSY		2X0844A01	1			
P	BIN CONTROL SWITCH		3H1538A02	1			
1	MECHANIZUM BASE		2X0788M01	1			
2	TRUSS HEAD MACHINE SCREW		FST0512S0	2			
3	FLANGE NUT		FNHF05S0	4			
4	TRUSS HEAD SCREW		FST0516S0	2			
5	BEARING PLATE		3H1440G03	2			
7	FLANGE NUT		FNHF06S0	4			
8	SHAFT (B)		4H1184-02	2			
9	SNAP PIN		715S-0006	2			
10	T2 TRUSS HEAD SCREW		FT20408M0	2			
11	INSULATION (D)		4Y7504P01	1			
12	CLAMP		426197-01	2			
13	WIRE SADDLE		428060-03	1			

IM-100NE-HC
IM-100NE-HC-23

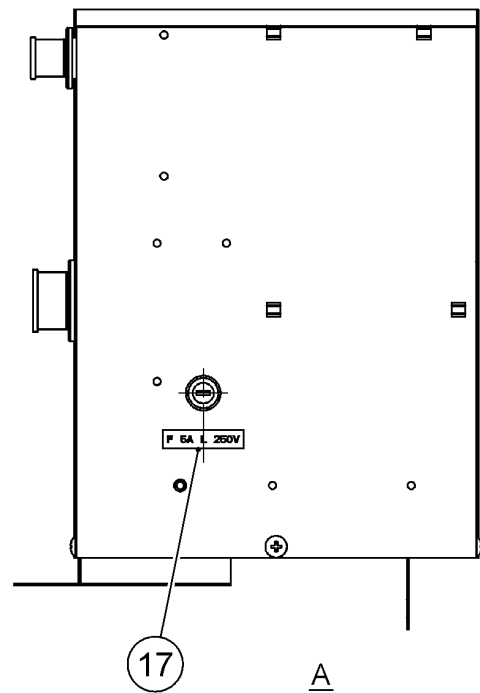
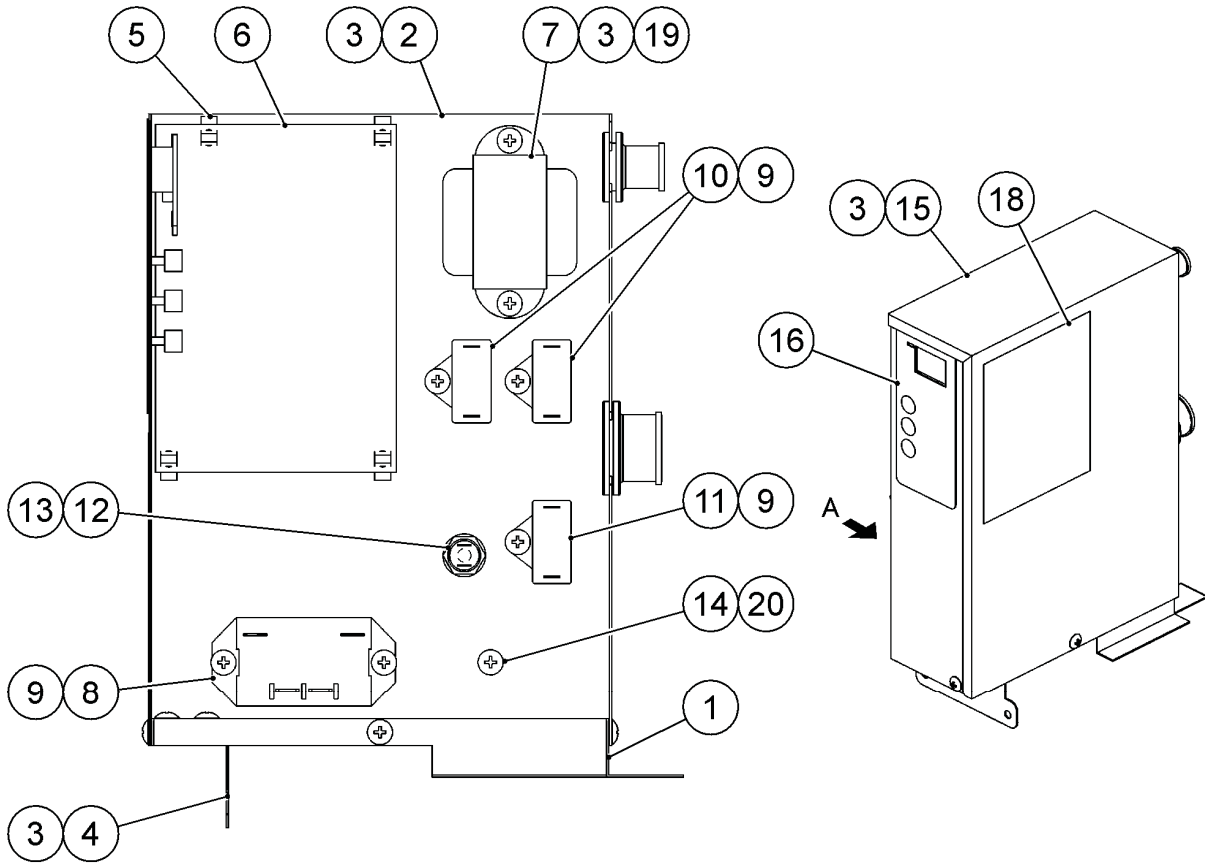
D. WATER CIRCUIT ASSY

(D-1) and later



HE, GRAM

MODEL: IM-100NE-HC, IM-100NE-HC-23		TITLE: D. WATER CIRCUIT ASSY					
INDEX NO.	DESCRIPTION	MATERIAL OR MODEL NUMBER	PART NUMBER	REQ'D NUMBER			
				D-1			
1	WATER VALVE		P02056-01	1			
2	HEX HEAD BOLT		FBH0408S0	2			
3	SILICONE HOSE		3H9588-03	1			
4	WATER SUPPLY PIPE		3H9532G01	1			
5	HOSE CLAMP		435934-03	1			
6	HOSE CLAMP		435934-02	1			
7	DRAIN PIPE		3H0394-01	1			
8	T2 TRUSS HEAD SCREW		FT20410M0	2			
9	VINYL HOSE		3H9588-10	1			
10	INSULATION TUBE	7762-2636 L=120	266545Z01	1			
11	NYLON TIE	CV-200	7920-0010	2			



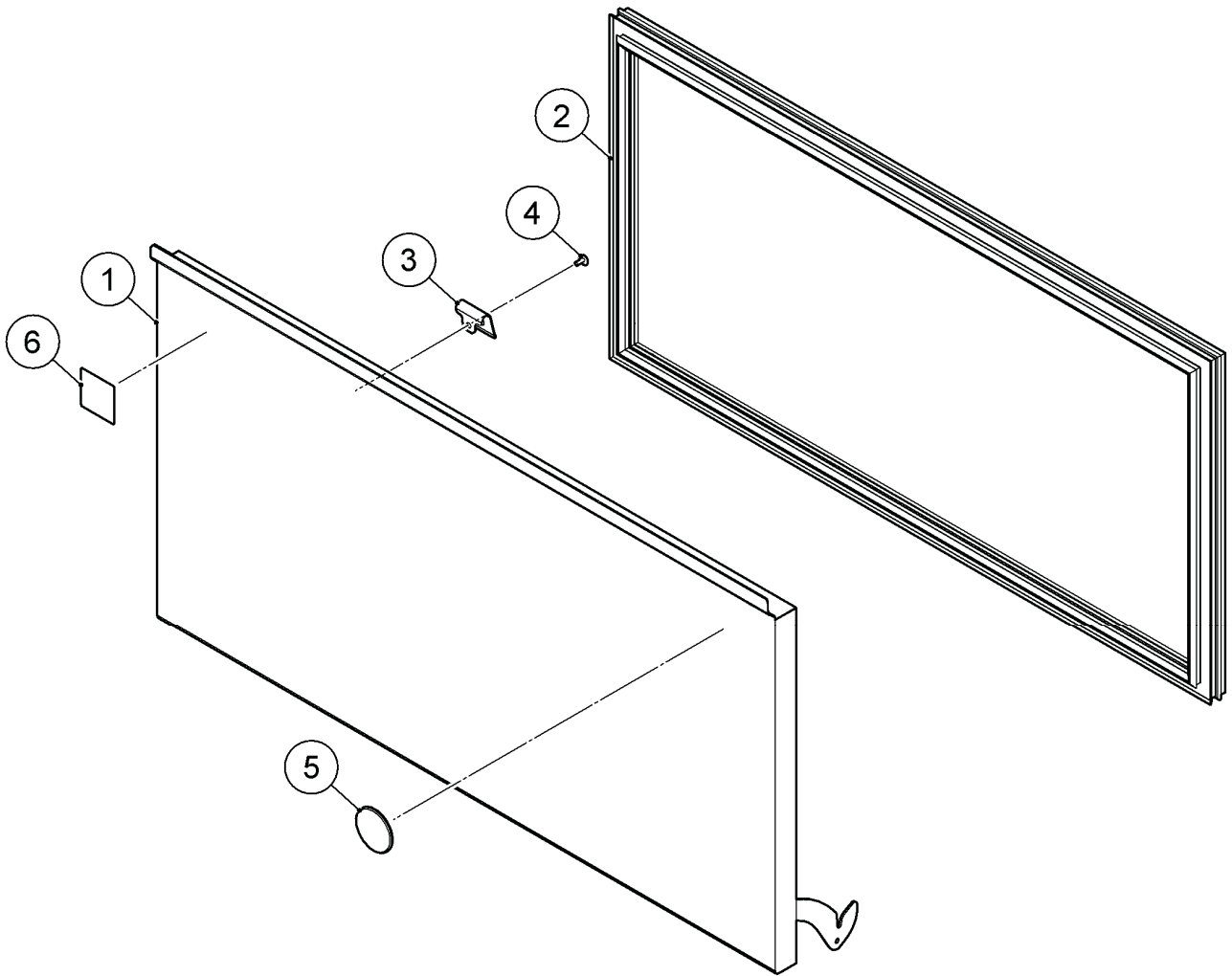
HE, GRAM

MODEL: IM-100NE-HC, IM-100NE-HC-23		TITLE: E. CONTROL BOX ASSY					
INDEX NO.	DESCRIPTION	MATERIAL OR MODEL NUMBER	PART NUMBER	REQ'D NUMBER			
				D-1			
1	CONTROL BOX (A)		380358M01	1			
2	CONTROL BOX (B)		266500M01	1			
3	T2 TRUSS HEAD SCREW		FT20408F0	8			
4	PLATE - BOX		480514M01	1			
5	BOARD SUPPORT		P04204-01	4			
6	CONTROLLER BOARD		P01873-01	1			
7	TRANSFORMER		P02714-01	1			
8	POWER RELAY		P00034-01	1			
9	TRUSS HEAD TAPPING SCREW T2		FT20410F0	5			
10	CAPACITOR		P01870-01	2			
11	CAPACITOR		P01910-01	1			
12	FUSE HOLDER		P02829-01	1			
13	FUSE		P04203-01	1			
14	TRUSS HEAD SCREW		FST0408S0	1			
15	CONTROL BOX COVER		380361M01	1			
16	CONTROL LABEL		475642L01	1			
17	LABEL - FUSE		466798-01	1			
18	WIRING LABEL		380362L01	1			
19	VINYL TUBE - UL		79503A00K	1			
20	SPRING WASHER		FWSP04S0	1			

IM-100NE-HC
IM-100NE-HC-23

F. DOOR ASSY

(D-1) and later



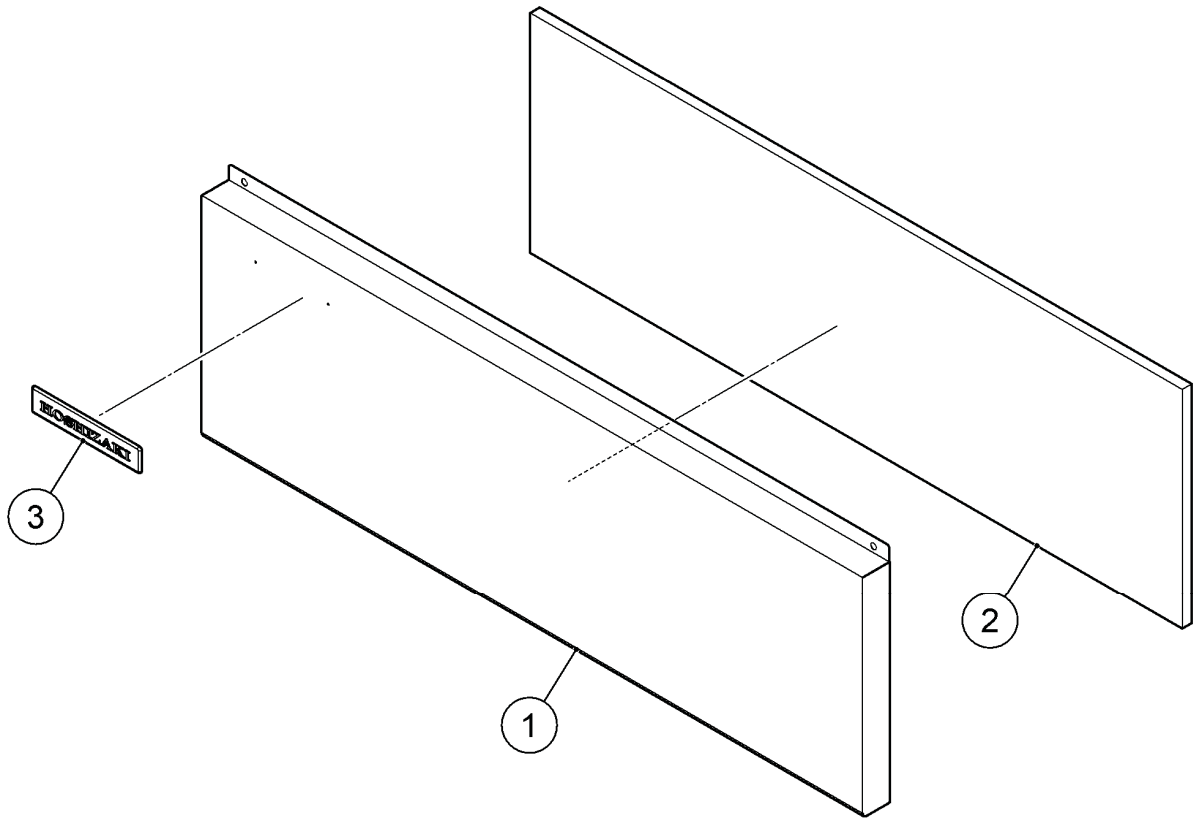
HE, GRAM

MODEL: IM-100NE-HC, IM-100NE-HC-23		TITLE: F. DOOR ASSY					
INDEX NO.	DESCRIPTION	MATERIAL OR MODEL NUMBER	PART NUMBER	REQ'D NUMBER			
				D-1			
1	DOOR G		3Y5435G01	1			
2	DOOR GASKET		3Y6199P04	1			
3	CATCH - SLOPE		4X7644-01	1			
4	T2 TRUSS HEAD SCREW		FT20408M0	1			
5	LABEL - PENGUIN	(HE)	468184-01	1			
6	LABEL - HACCP		476519L01	1			

IM-100NE-HC
IM-100NE-HC-23

G. FRONT COVER UPPER ASSY

(D-1) and later



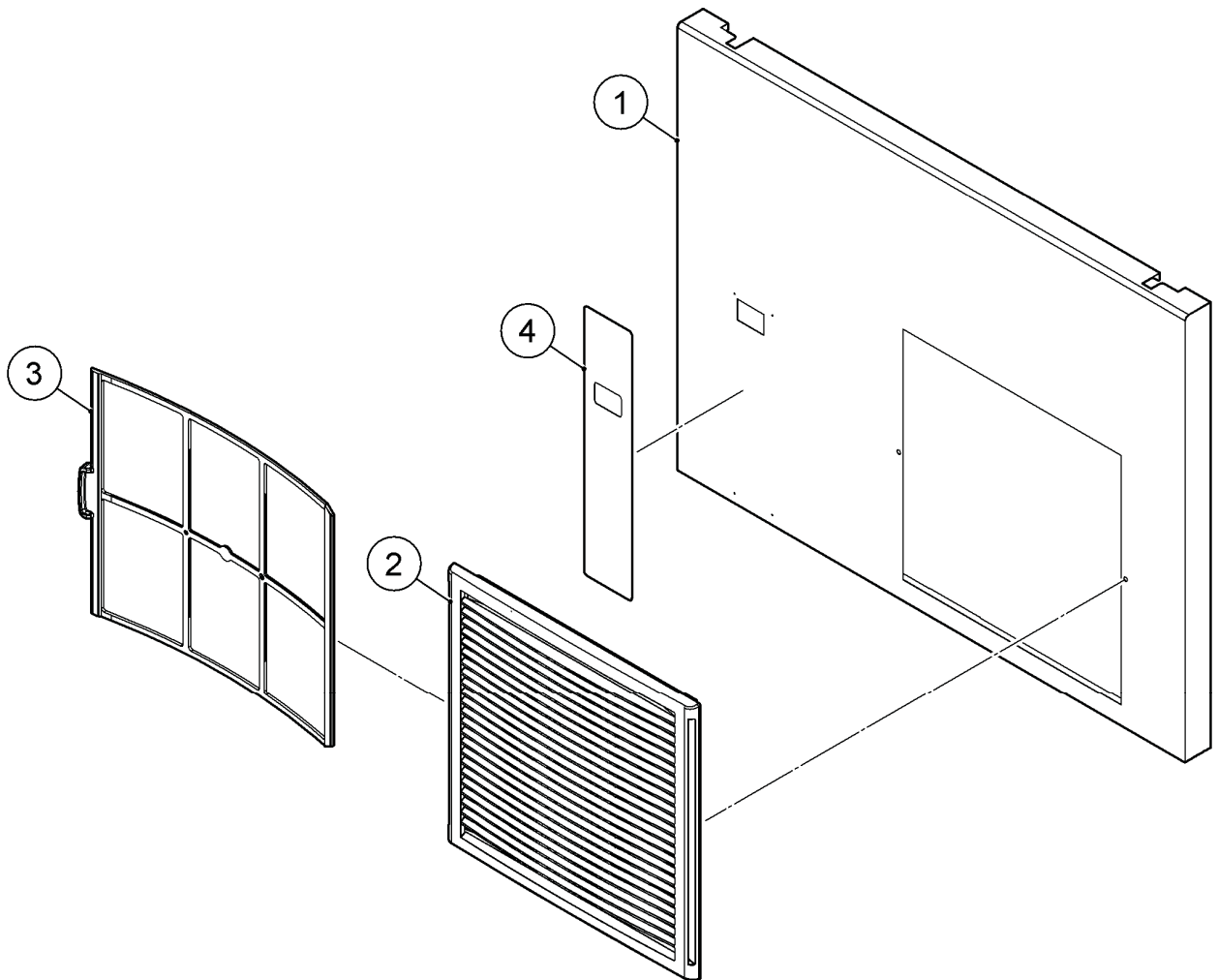
HE, GRAM

MODEL: IM-100NE-HC, IM-100NE-HC-23		TITLE: G. FRONT COVER UPPER ASSY					
INDEX NO.	DESCRIPTION	MATERIAL OR MODEL NUMBER	PART NUMBER	REQ'D NUMBER			
				D-1			
1	FRONT COVER UPPER		3Y6138G01	1			
2	INSULATION - FRONT(A)		4Y7505P01	1			
3	EMBLEM	(HE)	340842-01	1			
		(GRAM)	4Y6123L01	1			

IM-100NE-HC
IM-100NE-HC-23

H. FRONT COVER LOWER ASSY

(D-1) and later



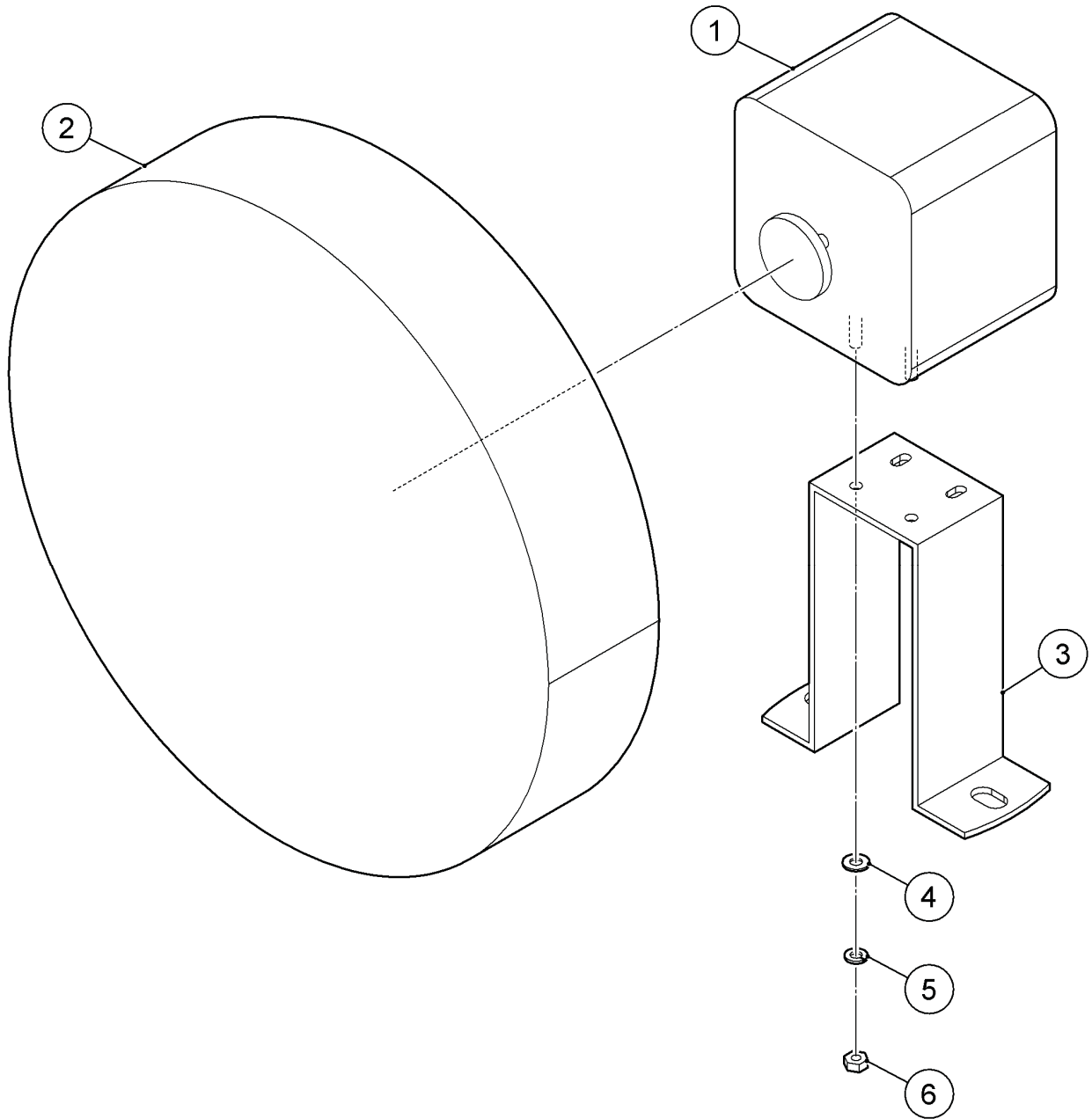
HE, GRAM

MODEL: IM-100NE-HC, IM-100NE-HC-23		TITLE: H. FRONT COVER LOWER ASSY					
INDEX NO.	DESCRIPTION	MATERIAL OR MODEL NUMBER	PART NUMBER	REQ'D NUMBER			
				D-1			
1	FRONT COVER LOWER		380364G01	1			
2	LOUVER		121931P01	1			
3	AIR FILTER		262259G01	1			
4	OPERATION LABEL		380262L01	1			

IM-100NE-HC
IM-100NE-HC-23

J. FAN MOTOR ASSY

(D-1) and later



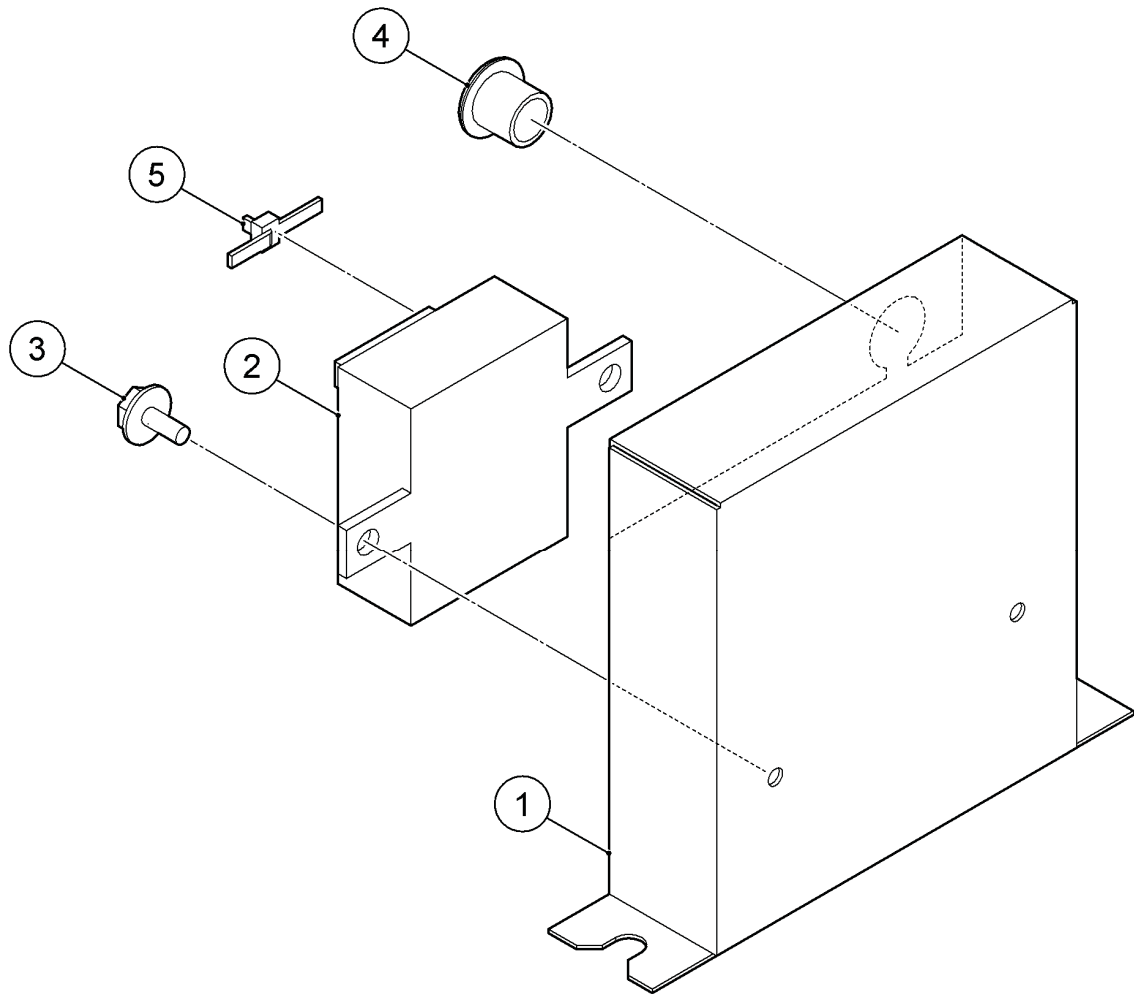
HE, GRAM

MODEL: IM-100NE-HC, IM-100NE-HC-23		TITLE: J. FAN MOTOR ASSY					
INDEX NO.	DESCRIPTION	MATERIAL OR MODEL NUMBER	PART NUMBER	REQ'D NUMBER			
				D-1			
1	FAN MOTOR		P00022-01	1			
2	FAN BLADE		P03552-01	1			
3	BRACKET - FM		3Y6143M01	1			
4	FLAT WASHER		FWPL04S0	2			
5	SPRING WASHER		FWSP04S0	2			
6	NUT		FNH104S0	2			

IM-100NE-HC
IM-100NE-HC-23

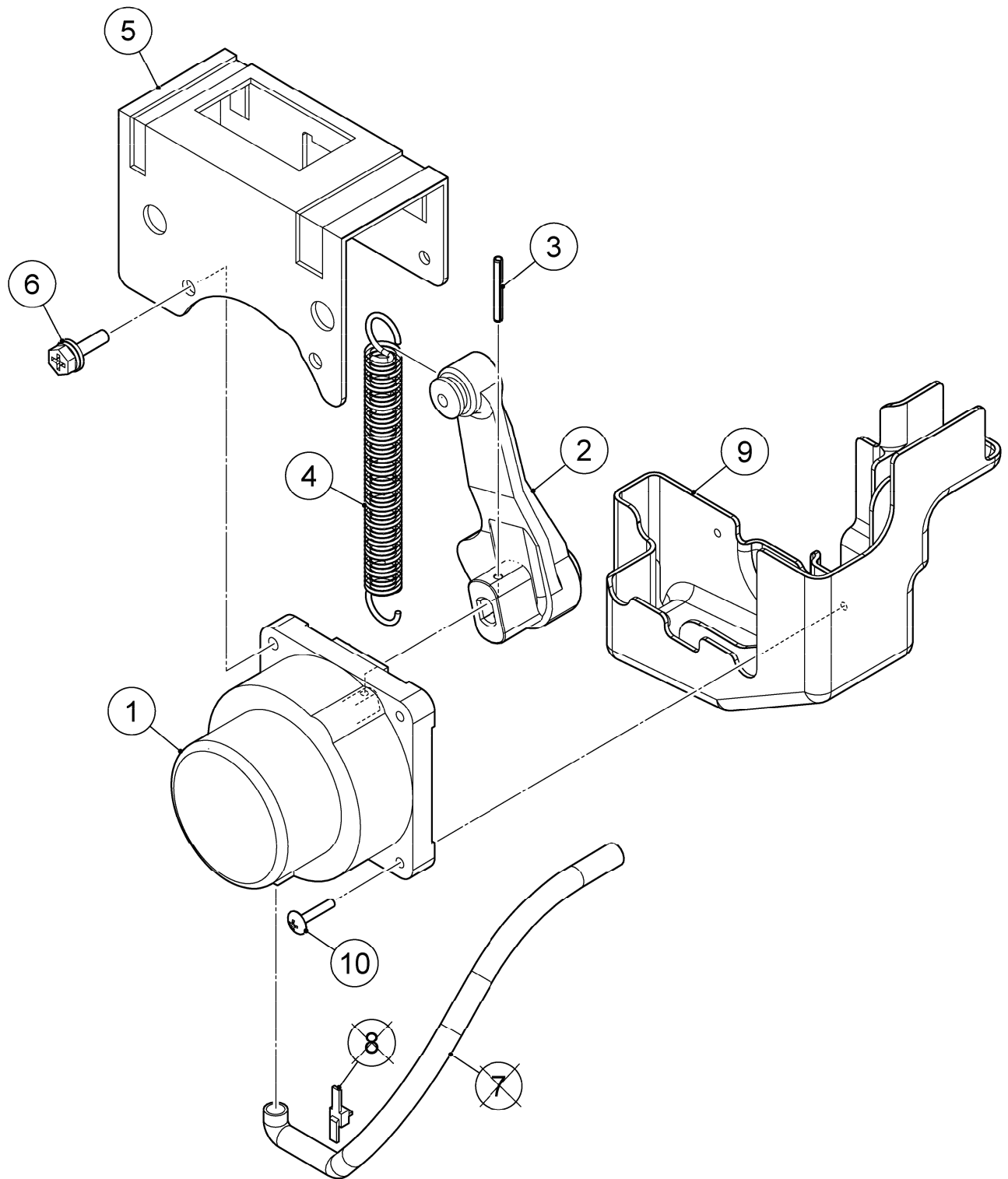
K. GAS SENSOR ASSY

(D-1) and later



HE, GRAM

MODEL: IM-100NE-HC, IM-100NE-HC-23		TITLE: K. GAS SENSOR ASSY					
INDEX NO.	DESCRIPTION	MATERIAL OR MODEL NUMBER	PART NUMBER	REQ'D NUMBER			
				D-1			
1	BRACKET - SENSOR		380416M01	1			
2	GAS SENSOR	8500ppm	P02756-03	1			
3	Flange Bolt (C-TITE)		FTR0408M0	2			
4	BUSHING		428394-02	1			
5	NYLON TIE	CV-70	7920-0001	1			



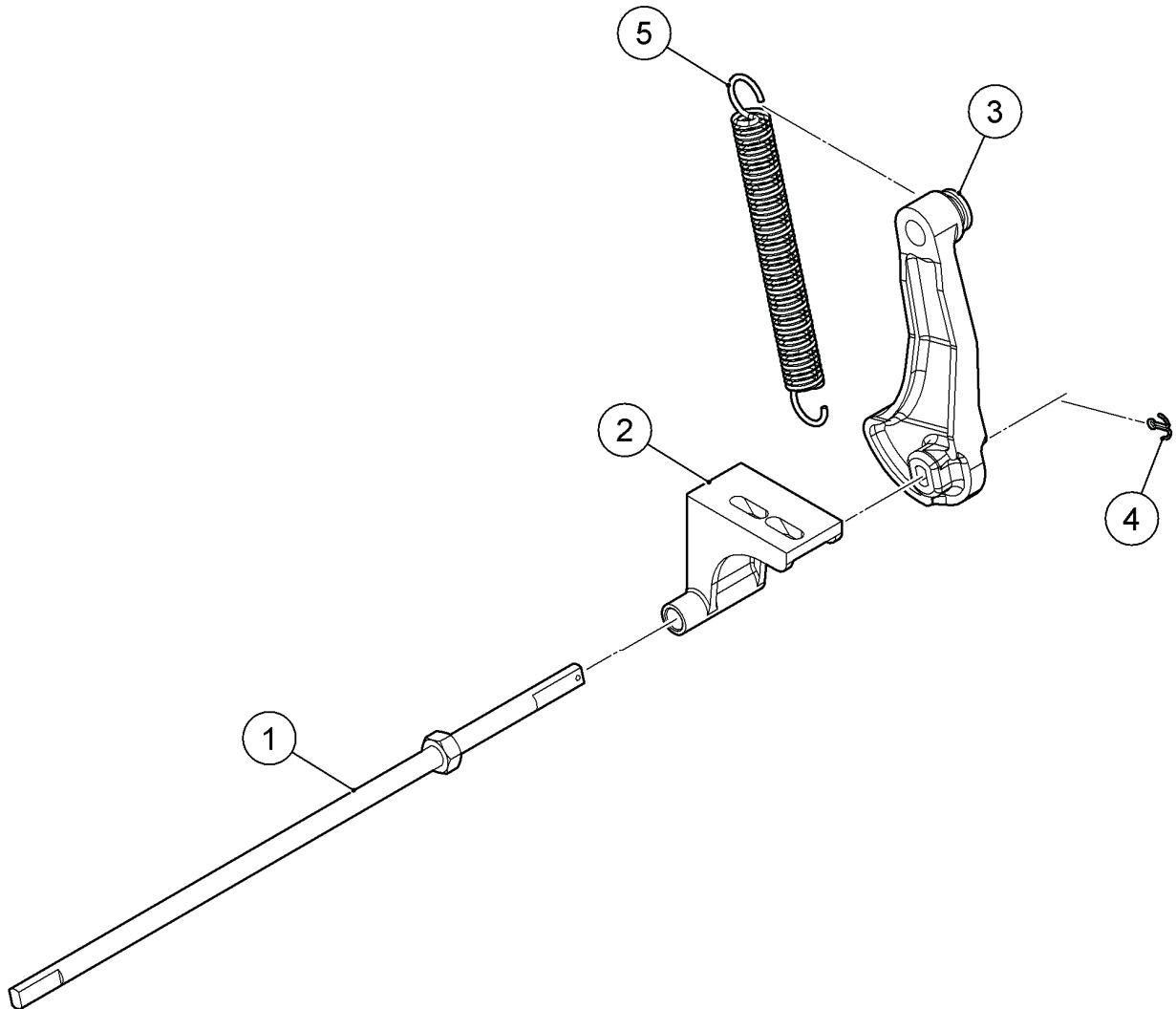
HE, GRAM

MODEL: IM-100NE-HC, IM-100NE-HC-23		TITLE: L. ACTUATOR MOTOR ASSY					
INDEX NO.	DESCRIPTION	MATERIAL OR MODEL NUMBER	PART NUMBER	REQ'D NUMBER			
				D-1			
1	ACTUATOR MOTOR		4Y8998G01	1			
2	CAM(A)		306543G03	1			
3	SPRING PIN 3*28		712S-0328	1			
4	SPRING		4H0287-01	1			
5	BRACKET-AM		3Y2924M01	1			
6	HEX HEAD BOLT (SPRING WASHER AND FLAT WASHER)		FBK0620S0	2			
7	TUBE-SILICONE	10x12xL300mm	4Y6751Z08	-			
8	TIE	CV-150	7920-0003	-			
9	COVER - ACTUATOR MOTOR		1H4881P01	1			
10	T2 TRUSS HEAD SCREW		FT20416M0	2			

IM-100NE-HC
IM-100NE-HC-23

M. CAM SHAFT ASSY

(D-1) and later



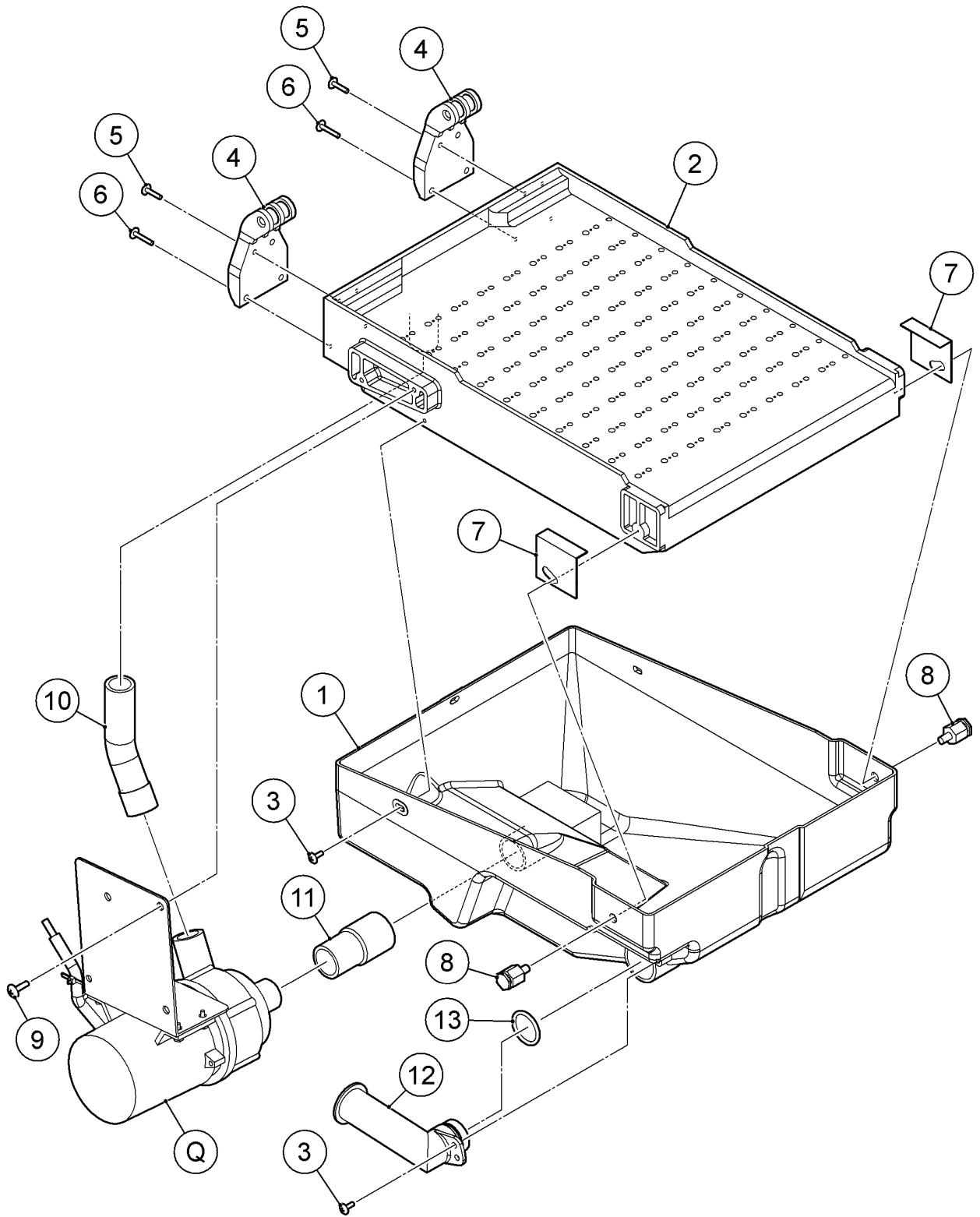
HE, GRAM

MODEL: IM-100NE-HC, IM-100NE-HC-23		TITLE: M. CAM SHAFT ASSY					
INDEX NO.	DESCRIPTION	MATERIAL OR MODEL NUMBER	PART NUMBER	REQ'D NUMBER			
				D-1			
1	CAM SHAFT		4H2702G02	1			
2	BEARING-CAM SHAFT		3X8307-02	1			
3	CAM(B)		376546P01	1			
4	COTTER PIN		711S-0212	1			
5	SPRING		4H0287-01	1			

IM-100NE-HC
IM-100NE-HC-23

N. WATER PAN ASSY

(D-1) and later



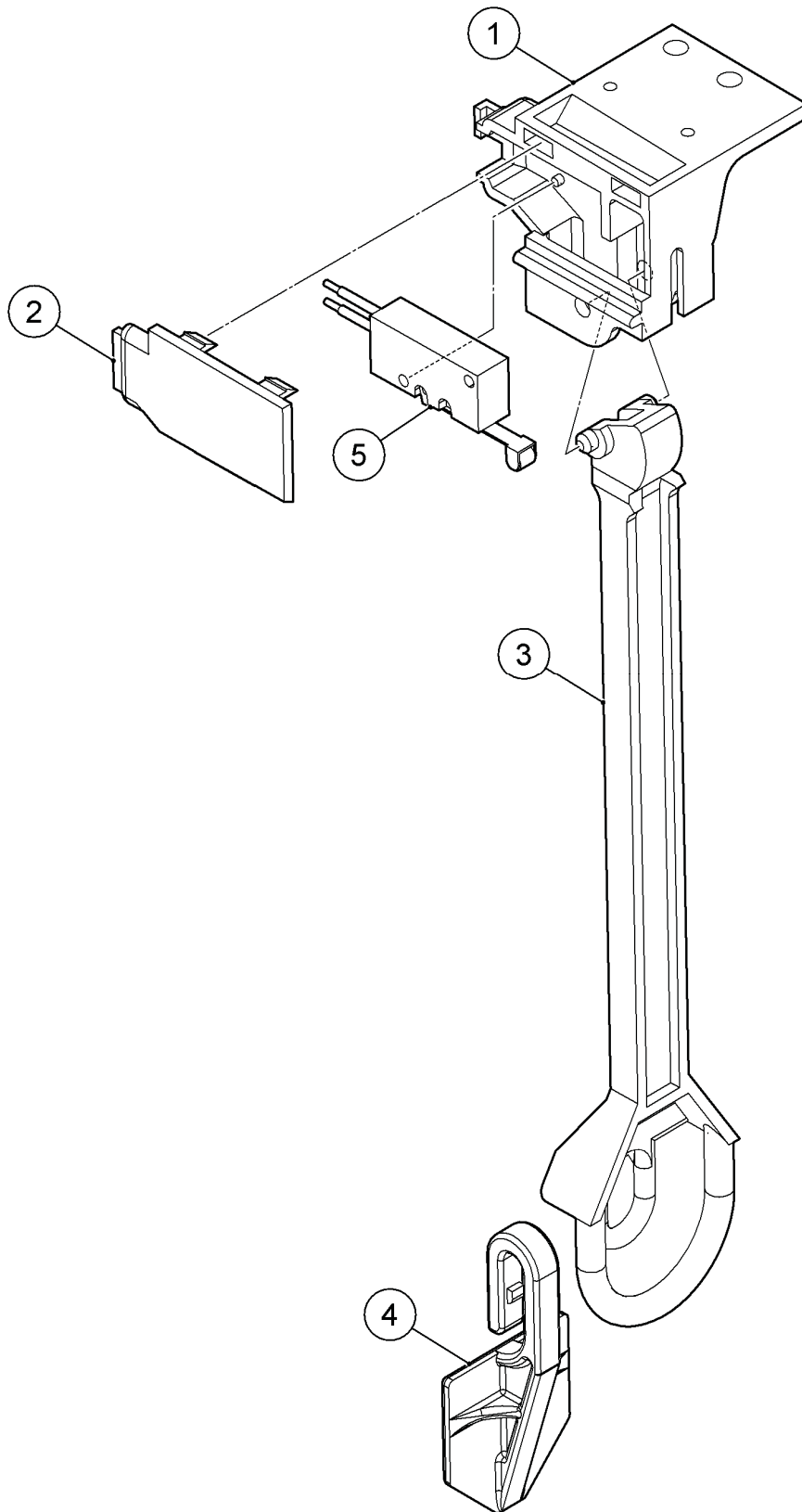
HE, GRAM

MODEL: IM-100NE-HC, IM-100NE-HC-23		TITLE: N. WATER PAN ASSY					
INDEX NO.	DESCRIPTION	MATERIAL OR MODEL NUMBER	PART NUMBER	REQ'D NUMBER			
				D-1			
Q	PUMP MOTOR ASSY		3Y5303A02	1			
1	WATER TANK		2H2286G01	1			
2	WATER PAN ASSY		2H0833G02	1			
3	T2 TRUSS HEAD SCREW		FT20410M0	4			
4	WATER PAN HANGER		3H2059-01	2			
5	TRUSS HEAD TAPPING SCREW T2		FT20420M0	4			
6	T2 TRUSS HEAD SCREW		FT20416M0	4			
7	BRACKET		402957-01	2			
8	SCREW SPRING HOOK		4H2582G01	2			
9	TRUSS HEAD TAPPING SCREW T2		FT20516M0	2			
10	TUBING - PUMP DISCHARGE		4Y7517G01	1			
11	SUCTION TUBE		4Y7518G01	1			
12	PIPE-DRAIN		315530-01	1			
13	O-RING		7611-G025	1			

IM-100NE-HC
IM-100NE-HC-23

P. BIN CONTROL SWITCH

(D-1) and later



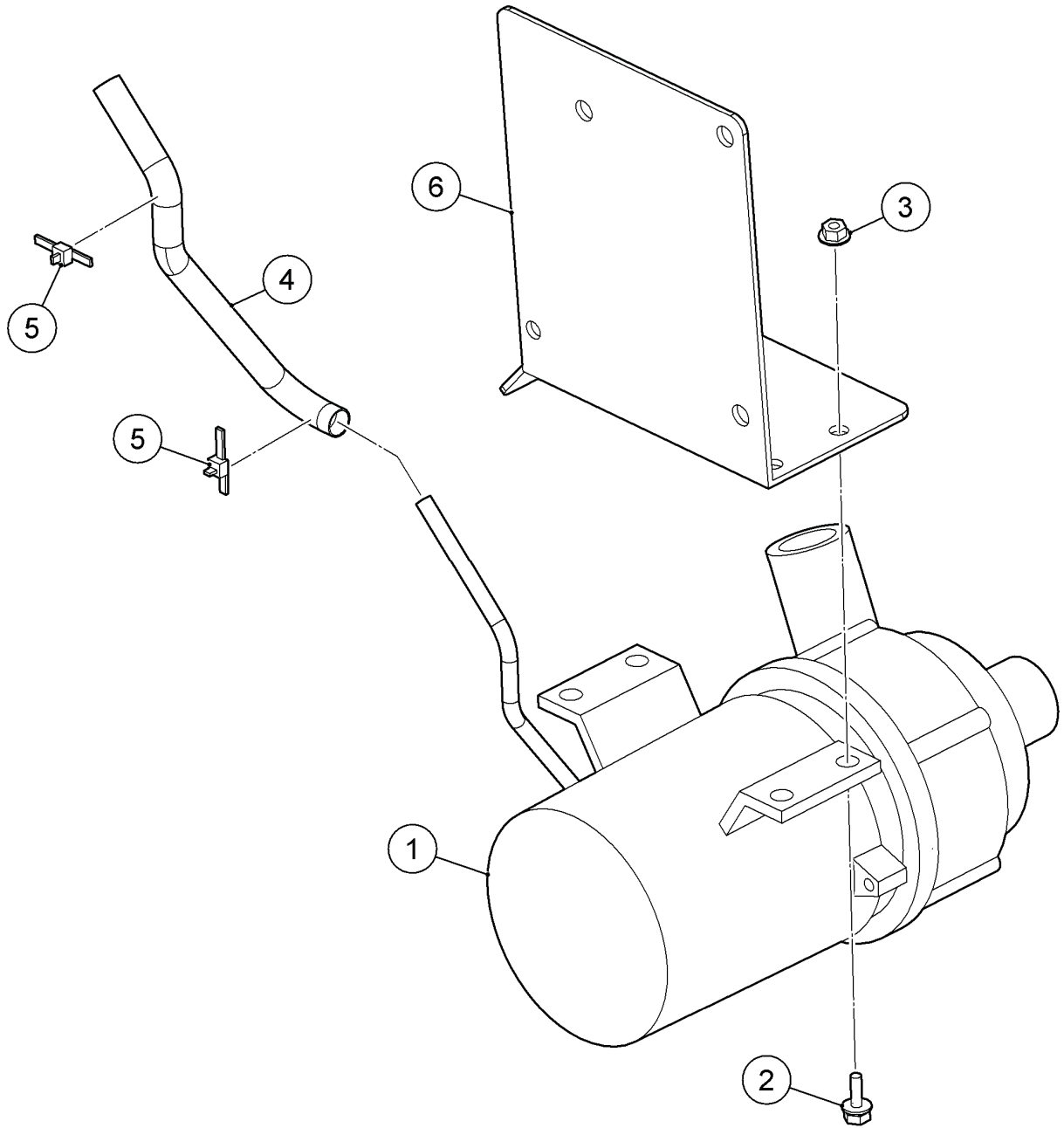
HE, GRAM

MODEL: IM-100NE-HC, IM-100NE-HC-23		TITLE: P. BIN CONTROL SWITCH					
INDEX NO.	DESCRIPTION	MATERIAL OR MODEL NUMBER	PART NUMBER	REQ'D NUMBER			
				D-1			
1	SWITCH BOX		2H2043-01	1			
2	SWITCH BOX COVER		4H8785-01	1			
3	SWITCH ACTUATOR		3H1369-02	1			
4	DETECTOR		311044-01	1			
5	MICRO SWITCH		456432-02	1			

IM-100NE-HC
IM-100NE-HC-23

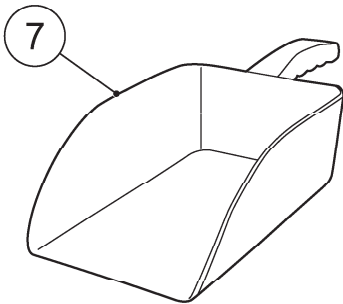
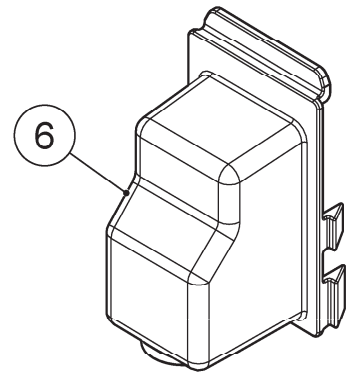
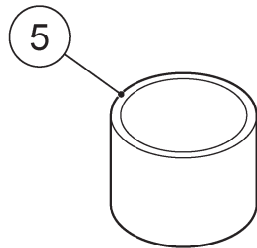
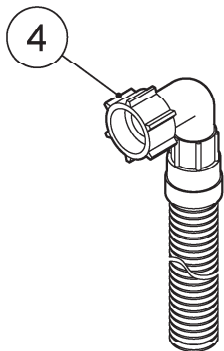
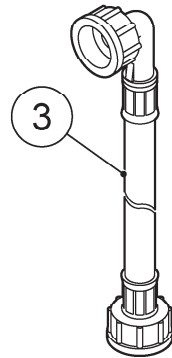
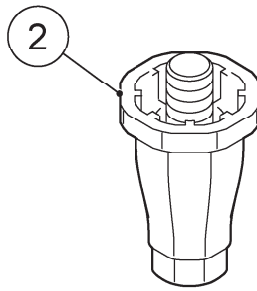
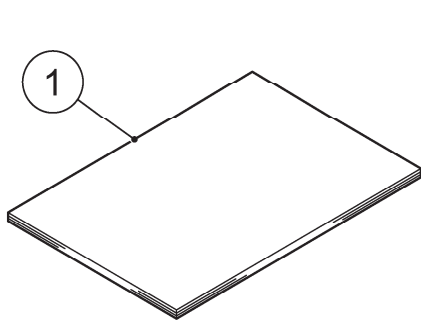
Q. PUMP MOTOR ASSY

(D-1) and later



HE, GRAM

MODEL: IM-100NE-HC, IM-100NE-HC-23		TITLE: Q. PUMP MOTOR ASSY					
INDEX NO.	DESCRIPTION	MATERIAL OR MODEL NUMBER	PART NUMBER	REQ'D NUMBER			
				D-1			
1	PUMP MOTOR		P02715-01	1			
2	HEX HEAD BOLT (SPRING WASHER AND FLAT WASHER)		FBK0412S0	4			
3	FLANGE NUT		FNHF04S0	4			
4	TUBE-SILICONE		4Y7388Z02	1			
5	TIE	CV-100	7920-0002	2			
6	BRACKET - PUMP		4Y7503M01	1			



HE, GRAM

MODEL: IM-100NE-HC, IM-100NE-HC-23		TITLE: R. ACCESSORIES					
INDEX NO.	DESCRIPTION	MATERIAL OR MODEL NUMBER	PART NUMBER	REQ'D NUMBER			
				D-1			
1	INSTRUCTION MANUAL		L1M036204	1			
2	LEG	SDKO-90HE-NS	446729-01	4			
3	INLET HOSE		P03534-01	1			
4	OUTLET HOSE		452365-01	1			
5	CAP		417323-01	1			
6	COVER-CONNECTOR		2X0271P01	1			
7	SCOOP		P00314-01	1			