



SELF-CONTAINED CUBER

**IM-100CNE-HC
IM-100CNE-HC-23
IM-100CNE-HC-32**

PARTS LIST

[HE]

M068,M068-D001,-D002

F-1 APR. 2016

M068-4171 (062216)

List of Specifications

IM-100CNE-HC	M068	Standard
IM-100CNE-HC-23	M068-D001	23mm ICE of IM-100CNE-HC
IM-100CNE-HC-32	M068-D002	32mm ICE of IM-100CNE-HC

Auxiliary Codes

Auxiliary Code Breakdown

The auxiliary code is the first two characters in the serial number. The first character indicates the year. Years progress or regress in alphabetical order. The series runs from "A" through "V" and the letters "I" and "O" are skipped. The second character indicates significant part changes within a year. Base is "0" and this number advances for each change. In cases where there is a letter in parentheses, this designates the month. This is the last character in the serial number. The series runs from "(A)" through "(M)" and the letter "(I)" is skipped. This designation is only included when identifying a parts change within an auxiliary code.

Note About Ordering Parts

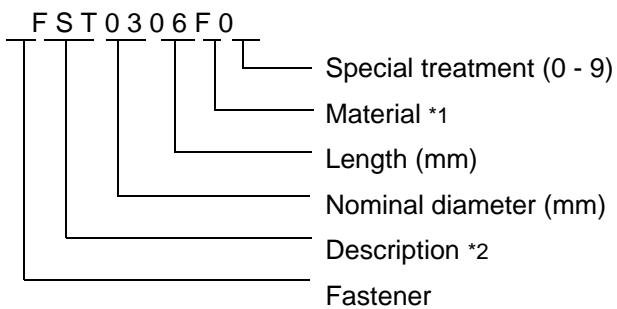
Most assemblies cannot be ordered as complete units; parts in the assemblies generally must be ordered separately.

MARKS LOCATED UNDER THE AUXILIARY CODE

- = Part deleted.

FASTENER PART NUMBER

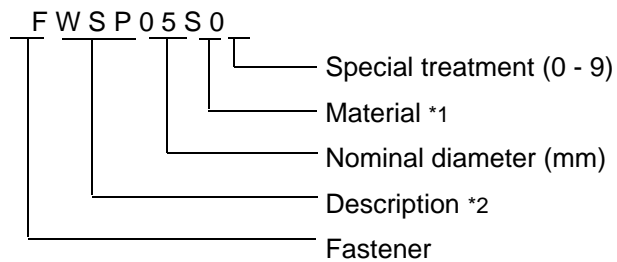
SCREWS



*1

F: Steel
S: Austenitic stainless steel
M: Martensitic stainless steel
B: Copper alloy
P: Polycarbonate
N: Polyamide
V: PVC
A: ABS
X: Polyacetal
L: Aluminum

NUTS & WASHERS



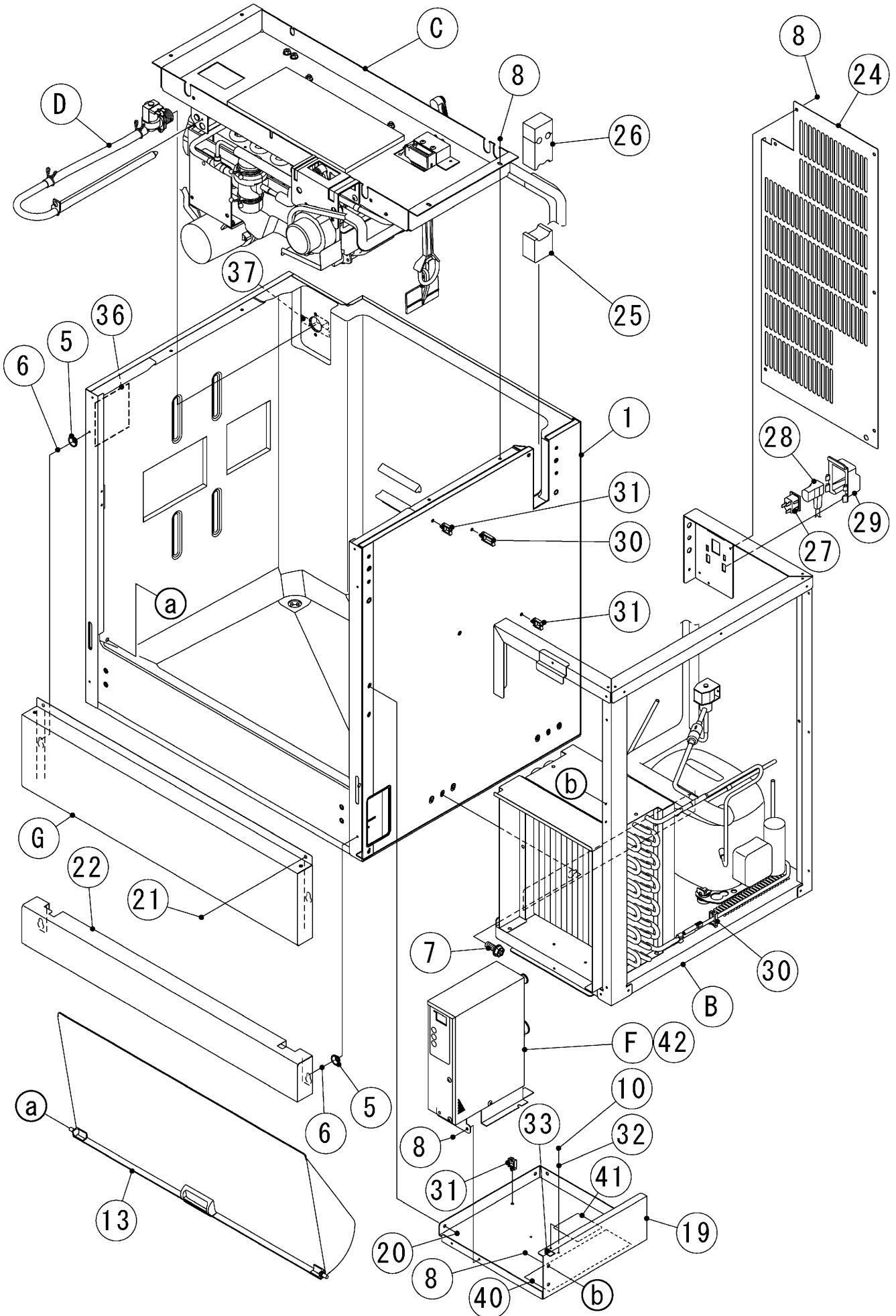
*2

First letter
S: Machine screw
T: Tapping screw
M: Wood screw
B: Bolt
W: Washer
N: Nut

IM-100CNE-HC
IM-100CNE-HC-23
IM-100CNE-HC-32

A. ICE CUBBER ASSY (1/2)

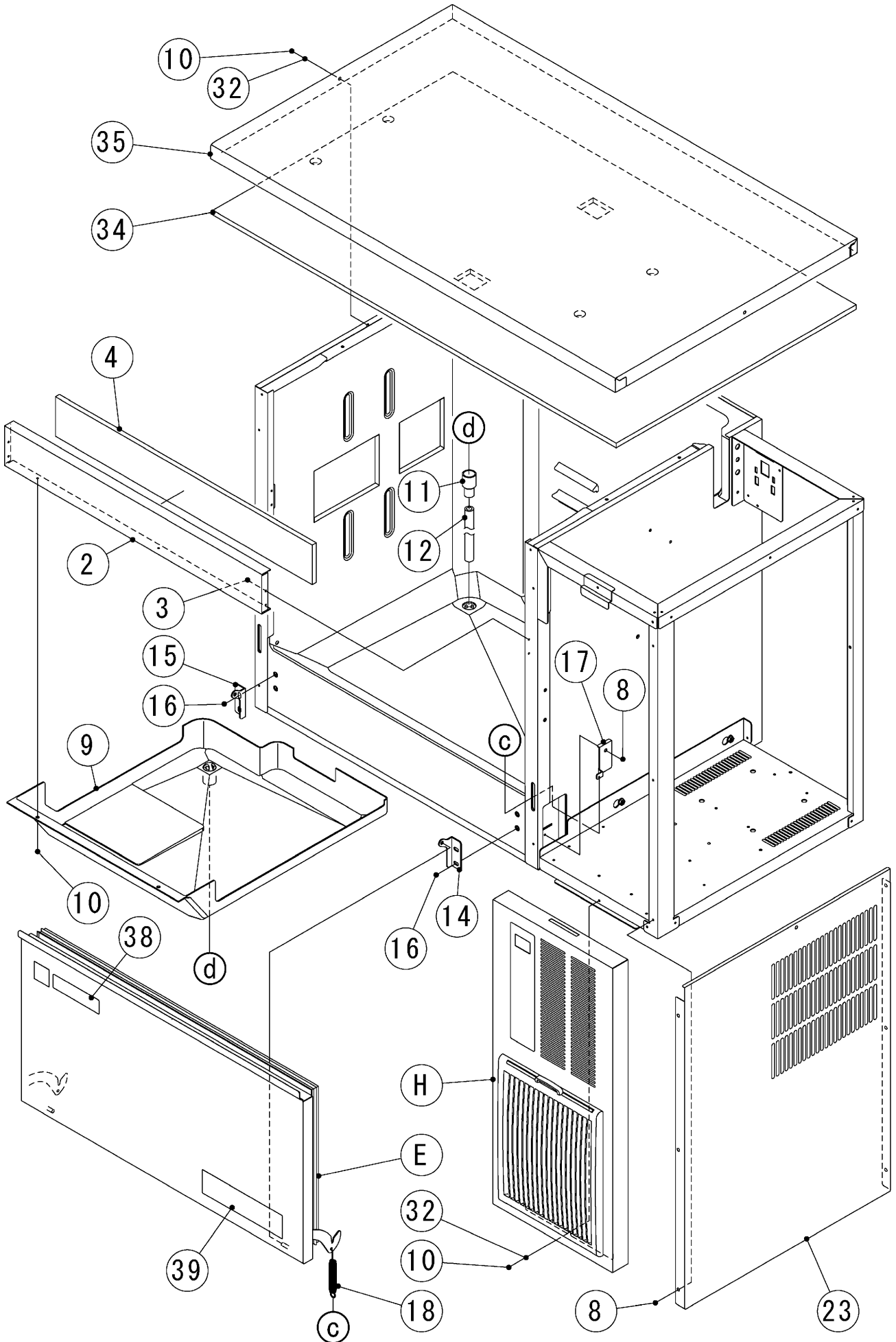
(F-1) and later



IM-100CNE-HC
IM-100CNE-HC-23
IM-100CNE-HC-32

A. ICE CUBBER ASSY (2/2)

(F-1) and later

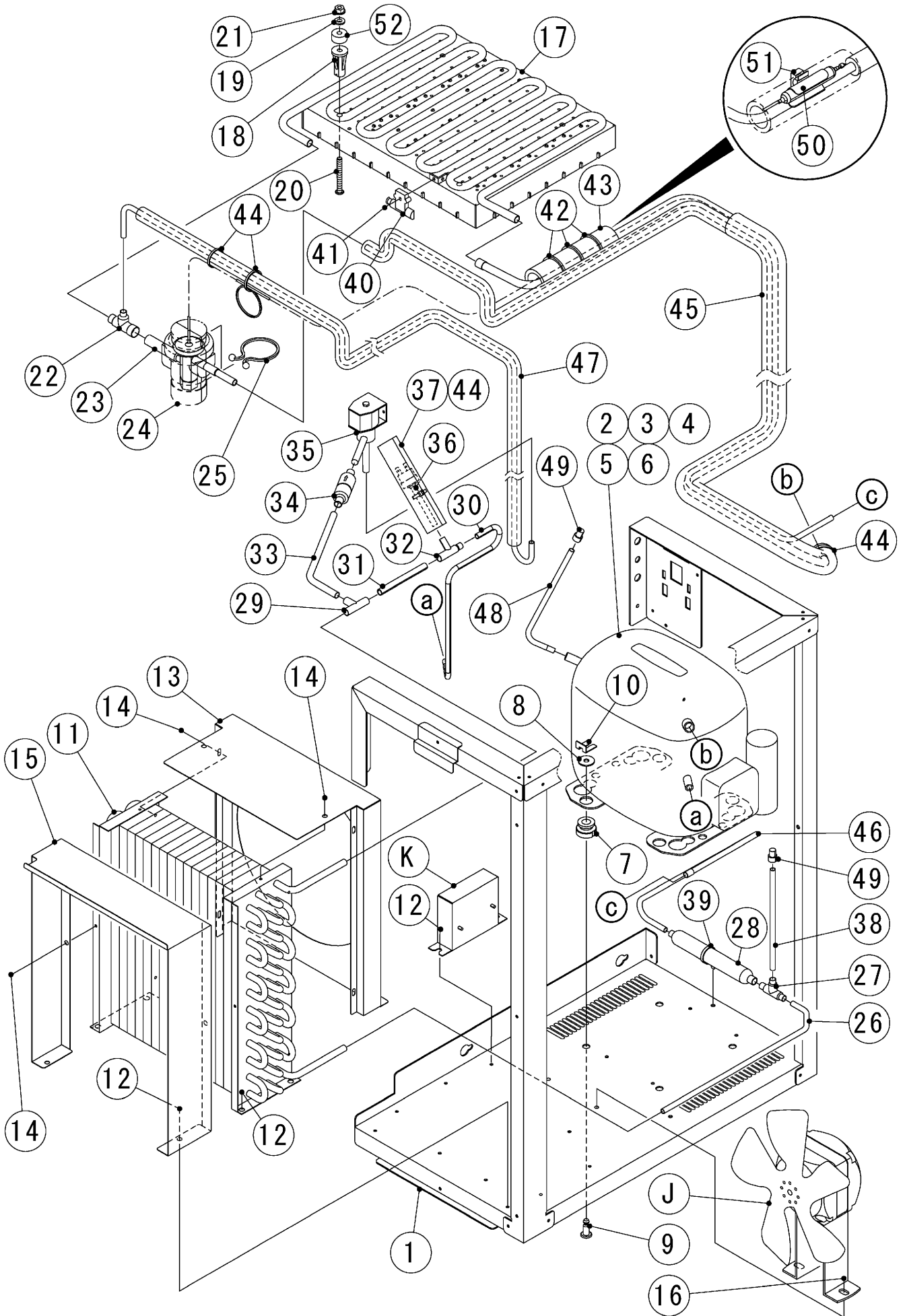


HE

MODEL: IM-100CNE-HC IM-100CNE-HC-23 IM-100CNE-HC-32		TITLE: A.ICE CUBBER ASSY					
INDEX NO.	DESCRIPTION	MATERIAL OR MODEL NUMBER	PART NUMBER	REQ'D NUMBER			
				F-1			
B	REFRIGERATION ASSY	IM-100CNE-HC	124295A01	1			
		IM-100CNE-HC-23	124295001	1			
		IM-100CNE-HC-32	124295002	1			
C	MECHANISM ASSY		2X1206A01	1			
		IM-100CNE-HC-32	2X1206002	1			
D	WATER CIRCUIT ASSY		2X1210A01	1			
E	DOOR ASSY		3Y5436A03	1			
F	CONTROL BOX ASSY		269266A01	1			
G	FRONT COVER UPPER ASSY		3Y6321A01	1			
H	FRONT COVER(R) ASSY		3Y6324A02	1			
1	BODY		1H5055G01	1			
2	FRONT FRAME		3Y6326M01	1			
3	RIVET	SSD42SSBS(t1.6 ~ 3.2)	7170-0002	4			
4	INSULATION - FRONT FRAME		4Y7624P01	1			
5	TAPER COLLAR		4H0171-01	4			
6	RIVET	SSD42BS	7170-0001	4			
7	TAPPING SCREW - HEX		442040-01	4			
8	Flange Bolt (C-TITE)		FTR0408M0	19			
9	DRAIN PAN		2H6143G01	1			
10	S-TITE TRUSS HEAD SCREW		FTS0408M0	7			
11	DRAIN TUBE		4H2585-01	1			
12	DRAIN PIPE		4Y7493P03	1			
13	SLOPE		3H2978G01	1			
14	HINGE (RIGHT)		4H2583-01	1			
15	HINGE (LEFT)		4H2584-01	1			
16	HEX HEAD BOLT (SPRING WASHER AND FLAT WASHER)		FBK0616S0	4			
17	BRACKET - SPRING		4Y7620M01	1			
18	SPRING		4X5209-01	1			
19	PLATE - FRAME		2X0948M01	1			
20	T2 TRUSS HEAD SCREW		FT20408F0	2			
21	TRUSS HEAD SCREW		FST0408S0	2			
22	FRONT COVER LOWER		3Y6322G01	1			
23	SIDE PANEL(R) - UNIT		2X0959M01	1			
24	REAR PANEL - UNIT		268093M01	1			
25	INSULATION(A)		4H2683-01	1			

HE

MODEL: IM-100CNE-HC IM-100CNE-HC-23 IM-100CNE-HC-32		TITLE: A.ICE CUBBER ASSY					
INDEX NO.	DESCRIPTION	MATERIAL OR MODEL NUMBER	PART NUMBER	REQ'D NUMBER			
				F-1			
26	INSULATION(B)		4Y7510P01	1			
27	CONNECTOR		P00245-02	1			
28	POWER SUPPLY CORD	EU-PLUG(10A)	P03359-01	1			
		UK-PLUG(10A)	P03360-01	1			
29	COVER - CONNECTOR		2X0271P01	1			
30	WIRE SADDLE		428060-02	2			
31	WIRE SADDLE		428060-03	3			
32	SPRING WASHER		FWSP04S0	5			
33	LABEL - GROUND(B)		450452-02	1			
34	INSULATION - TOP		3Y6327P01	1			
35	TOP PANEL		1H5071M01	1			
36	NAME PLATE		N/A	1			
37	CAUTION - LABEL		452552-01	1			
38	LABEL - HFCFREE		373508L01	1			
39	WARNING LABEL - RISK OF FIRE		377581L01	1			
40	CAUTION LABEL		377702L01	1			
41	LABEL - R290		474520L01	1			
42	HARNESS		482094A01	1			



HE

MODEL: IM-100CNE-HC IM-100CNE-HC-23 IM-100CNE-HC-32		TITLE: B. REFRIGERATION ASSY					
INDEX NO.	DESCRIPTION	MATERIAL OR MODEL NUMBER	PART NUMBER	REQ'D NUMBER			
				F-1			
J	FAN MOTOR ASSY		3Y6055A01	1			
K	GAS SENSOR ASSY		480188A01	1			
1	UNIT FRAME G		2X1207G01	1			
2	COMPRESSOR		P03538-01	1			
3	STARTING RELAY		P01909-01	1			
4	START CAPACITOR		456350-01	1			
5	CORD RELIEF		452239-01	1			
6	COVER		P01179-01	1			
7	GROMMET		450897-01	4			
8	WASHER CUSHION		P02793-01	4			
9	STEEL PIN		452255-01	4			
10	CLIP		452256-01	4			
11	CONDENSER - AIR COOLED		P03374-01	1			
12	Flange Bolt (C-TITE)		FTR0408M0	8			
13	SHROUD(A)		2X0938M01	1			
14	T2 TRUSS HEAD SCREW		FT20408F0	8			
15	SHROUD(B)		3Y6296M01	1			
16	HEX HEAD BOLT (SPRING WASHER AND FLAT WASHER)		FBK0612S0	2			
17	EVAPORATOR	IM-100CNE-HC	2H6438G03	1			
		IM-100CNE-HC-23	2H1836G01	1			
		IM-100CNE-HC-32	3Y9593G01	1			
18	COLLAR		3H3879-01	4			
19	WASHER		4H0777-01	4			
20	SCREW EVAPORATOR	IM-100CNE-HC	4Y4922M02	4			
		IM-100CNE-HC-23	4Y4922M03	4			
21	FLANGE NUT		FNHF06S0	4			
22	TEE		420335-01	1			
23	EXPANSION VALVE		P03545-01	1			
24	VALVE COVER		3Y3051P01	1			
25	CLAMP		P00752-01	2			
26	COPPER TUBE(B) - HIGH SIDE		4Y7588M01	1			
27	TEE		456655-01	1			
28	DRIER		458776-01	1			
29	TEE	383267G01	420041-11	1			

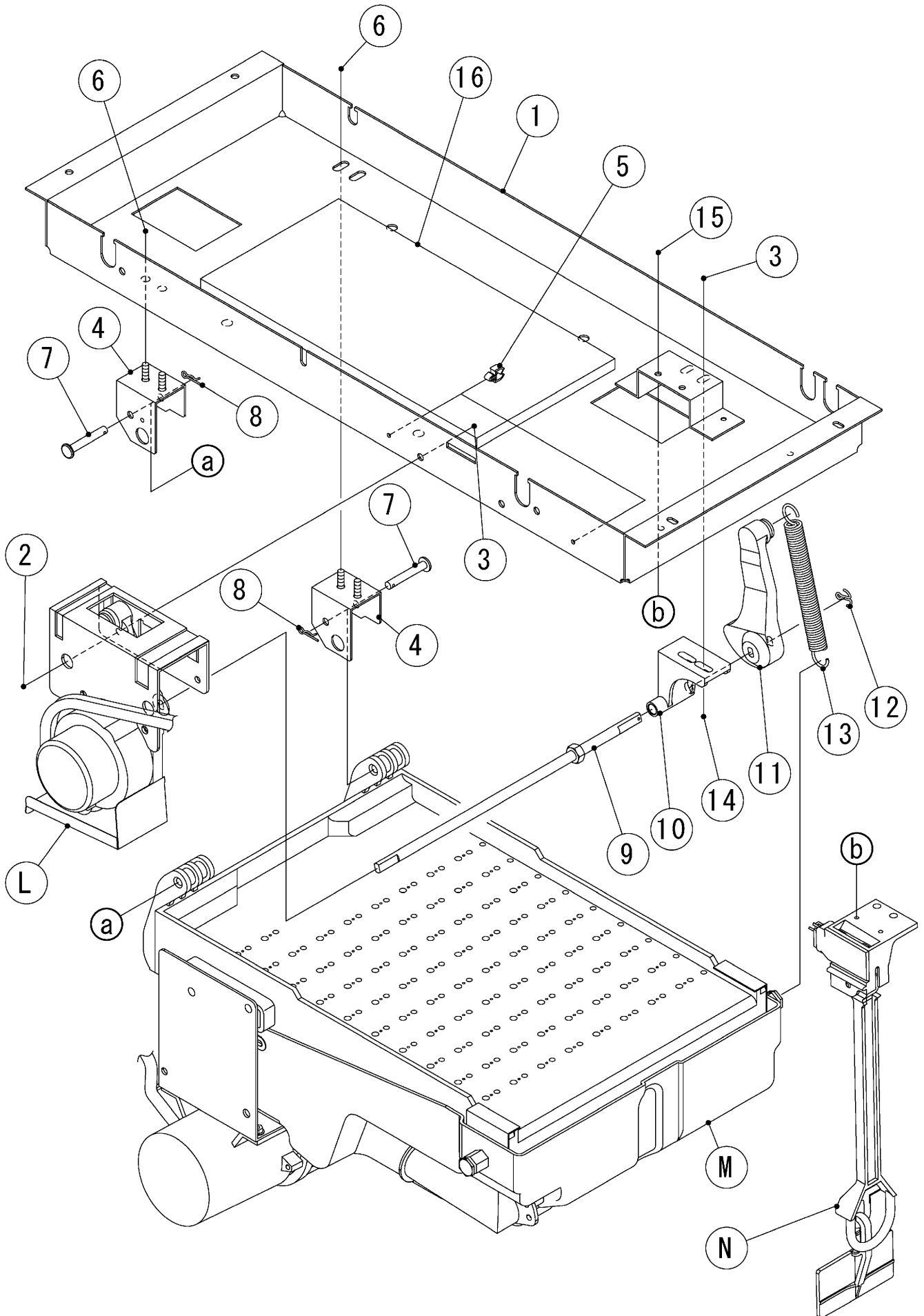
HE

MODEL: IM-100CNE-HC IM-100CNE-HC-23 IM-100CNE-HC-32		TITLE: B. REFRIGERATION ASSY					
INDEX NO.	DESCRIPTION	MATERIAL OR MODEL NUMBER	PART NUMBER	REQ'D NUMBER			
				F-1			
30	COPPER TUBE(A) - HIGT SIDE	383267G01	481959M01	1			
31	COPPER TUBE (E) - HIGH SIDE	383267G01	481960M01	1			
32	TEE	383267G01	420041-03	1			
33	COPPER TUBE(A) - HOT GAS	383267G01	4Y7591M01	1			
34	STRAINER	383267G01	P00812-01	1			
35	HOT GAS VALVE	383267G01	P01871-01	1			
36	PRESSURE SWITCH	383267G01	459863-08	1			
37	INSULATION TUBE		H71527130	1			
38	PROCESS TUBE		4Y0273-01	1			
39	TIE		457167-01	1			
40	HOLDER - THERMISTOR		3H9642-01	1			
41	S-TITE TRUSS HEAD SCREW		FTS0408M0	1			
42	NYLON TIE		7920-0010	3			
43	INSULATION		4X8643-01	2			
44	TIE	CV-150	7920-0003	6			
45	HEAT EXCHANGER		269272G01	1			
46	COPPER TUBE(C) - HIGH SIDE		481962M01	1			
47	COPPER TUBE(B) - HOT GAS		2X0930G01	1			
48	PROCESS TUBE		4X4047-01	1			
49	LOCKRING STOPPER		P01677-01	2			
50	HOLDER - EXP. VALVE 3/8		3A0107-01	1			
51	CLAMP		443461-01	1			
52	WASHER	IM-100CNE-HC-23	4H1365-05	4			

IM-100CNE-HC
IM-100CNE-HC-23
IM-100CNE-HC-32

C. MECHANISM ASSY

(F-1) and later



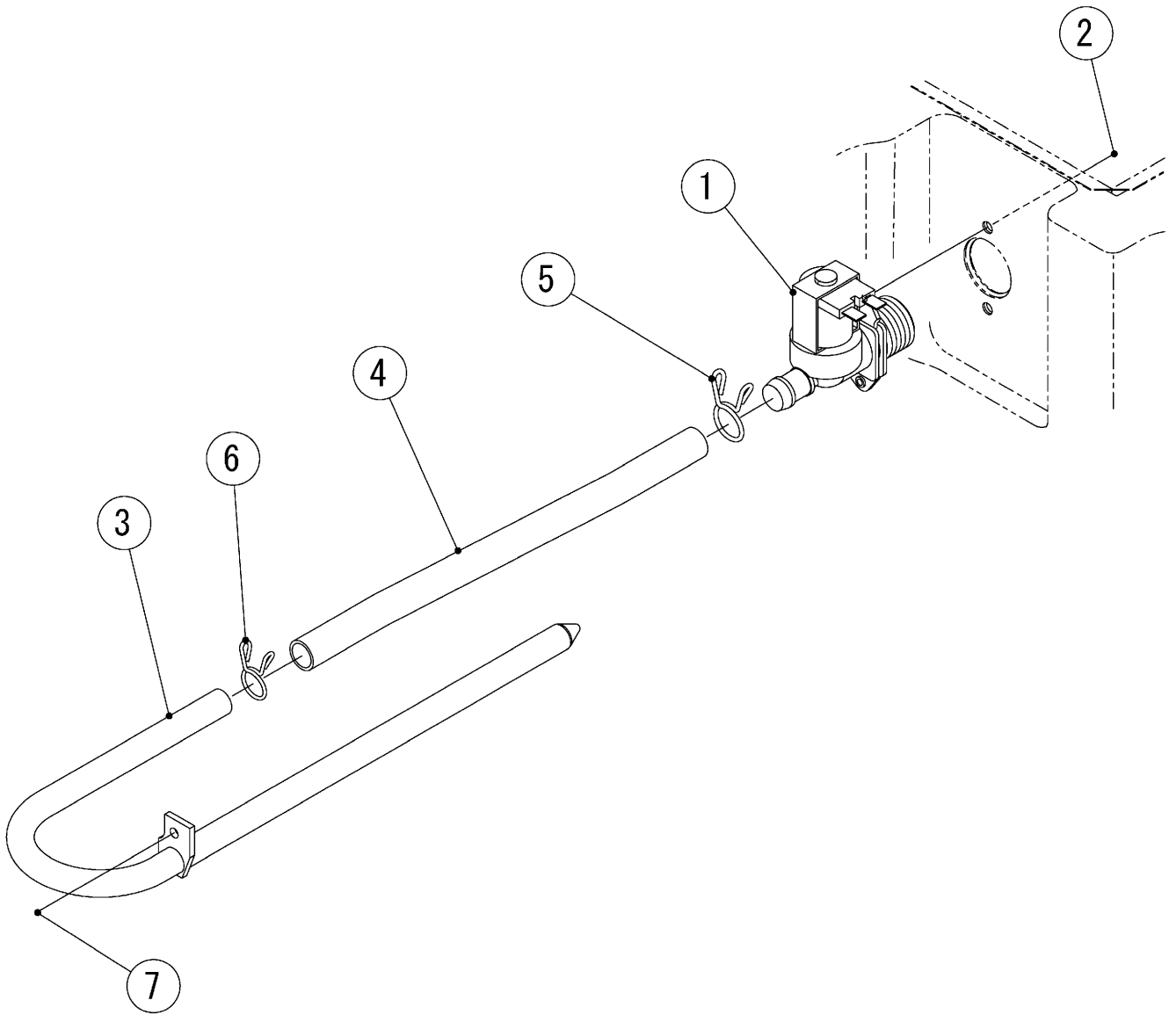
HE

MODEL: IM-100CNE-HC IM-100CNE-HC-23 IM-100CNE-HC-32		TITLE: C.MECHANISM ASSY					
INDEX NO.	DESCRIPTION	MATERIAL OR MODEL NUMBER	PART NUMBER	REQ'D NUMBER			
				F-1			
L	ACTUATOR MOTOR ASSY		3Y8847A02	1			
M	WATER PAN ASSY		2X0844A01	1			
		IM-100CNE-HC-32	2X0844004	1			
N	BIN CONTROL SWITCH		3H1538A02	1			
1	MECHANISM BASE		3Y6726G01	1			
2	TRUSS HEAD MACHINE SCREW		FST0512S0	2			
3	FLANGE NUT		FNHF05S0	4			
4	BEARING PLATE		3H1440G03	2			
5	CLAMP		426197-01	2			
6	FLANGE NUT		FNHF06S0	4			
7	SHAFT(B)		4H1184-02	2			
8	SNAP PIN		715S-0006	2			
9	CAM SHAFT		4H2702G02	1			
10	BEARING - CAM SHAFT		3X8307-02	1			
11	CAM(B)		376546P01	1			
12	CUTTER PIN		711S-0212	1			
13	SPRING		4H0287-01	1			
14	TRUSS HEAD SCREW		FST0516S0	2			
15	T2 TRUSS HEAD SCREW		FT20408S0	2			
16	INSULATION(D)		4Y7504P01	1			

IM-100CNE-HC
IM-100CNE-HC-23
IM-100CNE-HC-32

D. WATER CIRCUIT ASSY

(F-1) and later



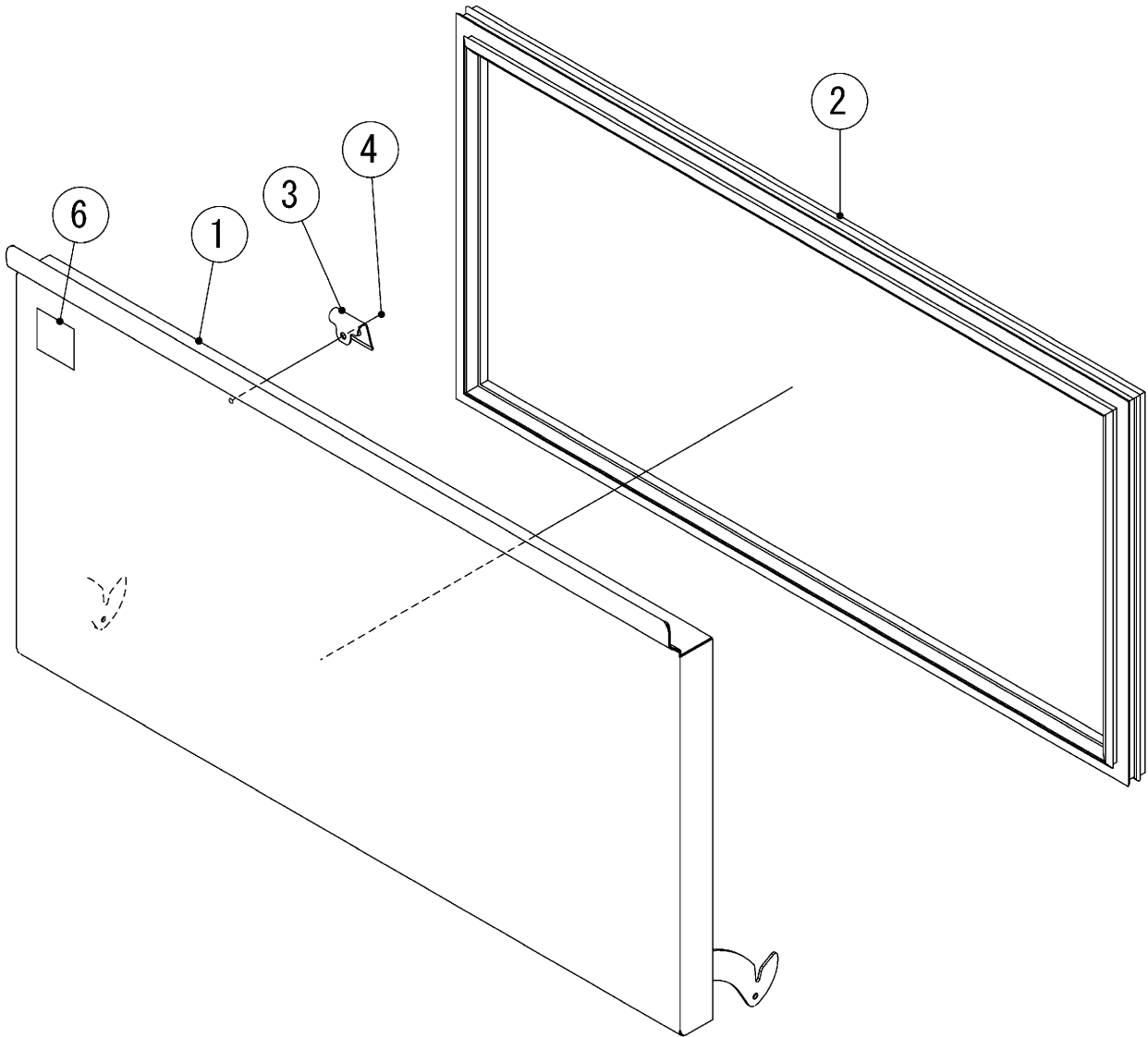
HE

MODEL: IM-100CNE-HC IM-100CNE-HC-23 IM-100CNE-HC-32				TITLE: D.WATER CIRCUIT ASSY			
INDEX NO.	DESCRIPTION	MATERIAL OR MODEL NUMBER	PART NUMBER	REQ'D NUMBER			
				F-1			
1	WATER VALVE		P02056-01	1			
2	HEX HEAD BOLT SW		FBK0410S0	2			
3	WATER SUPPLY PIPE		3H9532G01	1			
4	SILICONE HOSE		4Y6912R08	1			
5	HOSE CLAMP		435934-03	1			
6	HOSE CLAMP		435934-02	1			
7	TRUSS HEAD SCREW		FST0408S0	1			

IM-100CNE-HC
IM-100CNE-HC-23
IM-100CNE-HC-32

E. DOOR ASSY

(F-1) and later



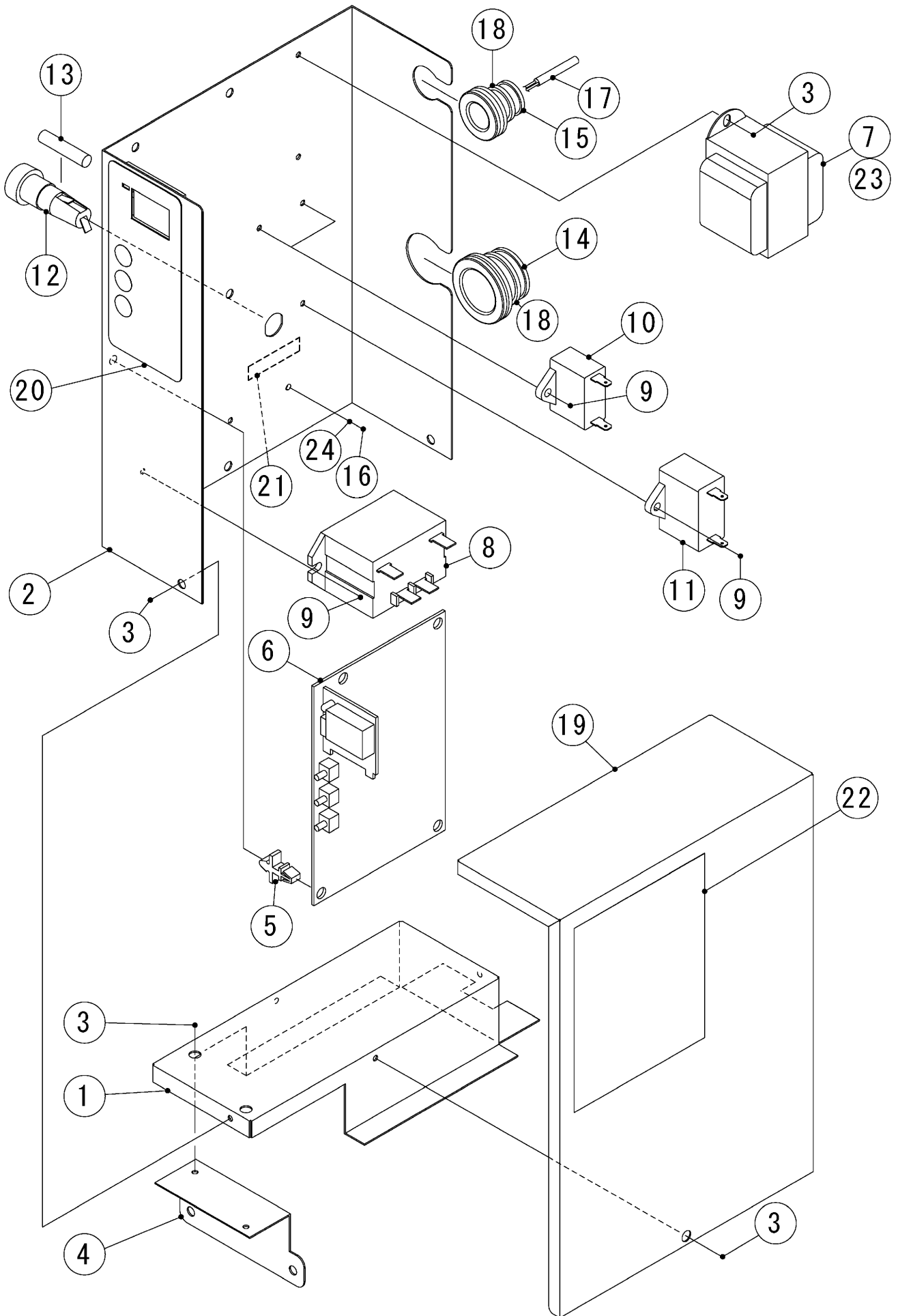
HE

MODEL: IM-100CNE-HC IM-100CNE-HC-23 IM-100CNE-HC-32		TITLE: E.DOOR ASSY					
INDEX NO.	DESCRIPTION	MATERIAL OR MODEL NUMBER	PART NUMBER	REQ'D NUMBER			
				F-1			
1	DOOR G		3Y5435G01	1			
2	DOOR GASKET		3Y6199P04	1			
3	CATCH - SLOPE		4X7644-01	1			
4	T2 TRUSS HEAD SCREW		FT20408M0	1			
5	LABEL - HACCP		476519L01	1			

IM-100CNE-HC
IM-100CNE-HC-23
IM-100CNE-HC-32

F. CONTROL BOX ASSY

(F-1) and later



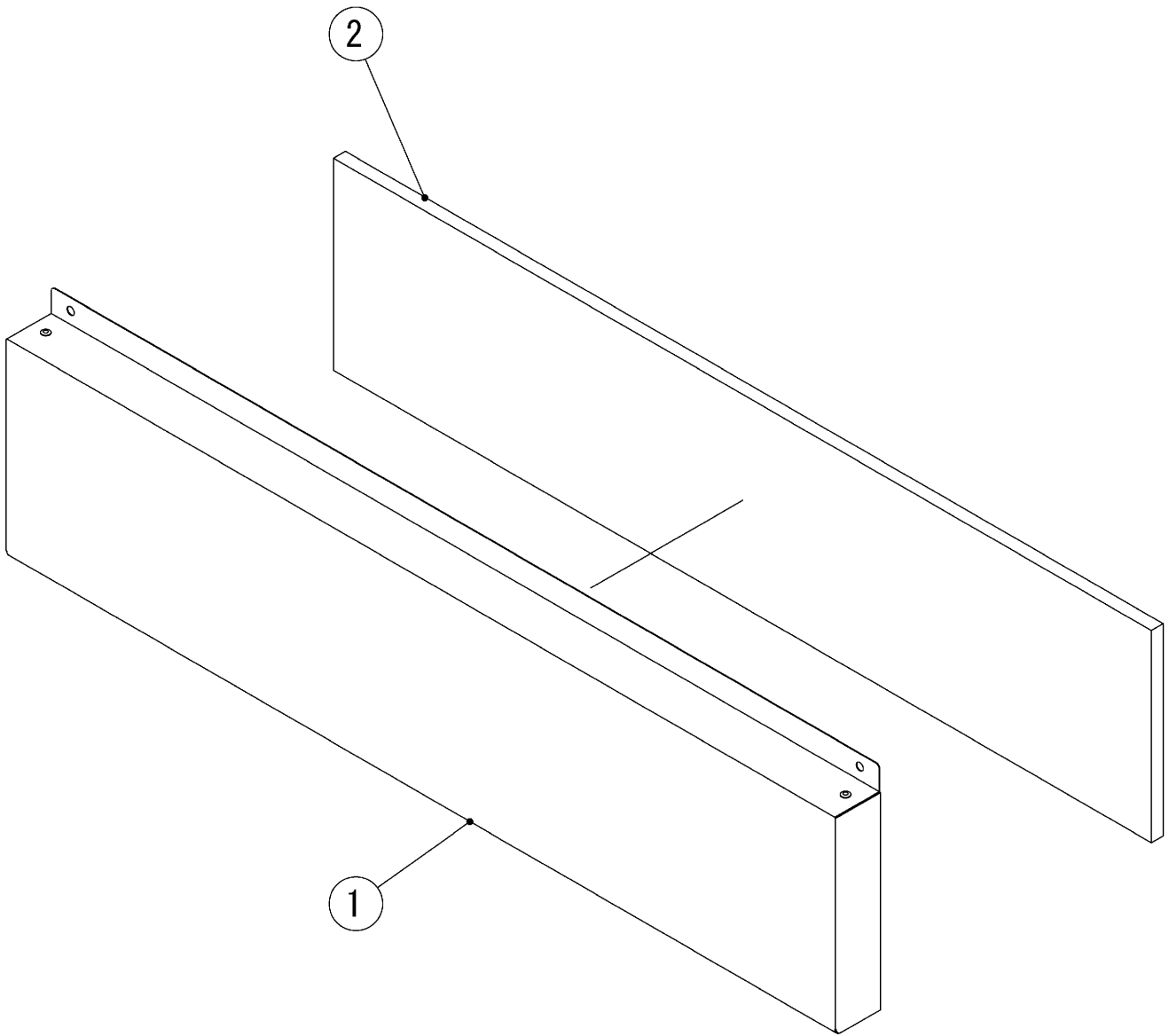
HE

MODEL: IM-100CNE-HC IM-100CNE-HC-23 IM-100CNE-HC-32		TITLE: F.CONTROL BOX ASSY					
INDEX NO.	DESCRIPTION	MATERIAL OR MODEL NUMBER	PART NUMBER	REQ'D NUMBER			
				F-1			
1	CONTROL BOX(A)		3Y9037M01	1			
2	CONTROL BOX(B)		266500M01	1			
3	T2 TRUSS HEAD SCREW		FT20408F0	8			
4	PLATE - BOX		4Y7215M01	1			
5	BOARD SUPPORT		P04204-01	4			
6	CONTROLLER BOARD		P01873-01	1			
7	TRANSFORMER		P02714-01	1			
8	POWER RELAY		P00034-01	1			
9	TRUSS HEAD TAPPING SCREW T2		FT20410F0	5			
10	CAPACITOR		P01870-01	2			
11	CAPACITOR		P01910-01	1			
12	FUSE HOLDER		P02829-01	1			
13	FUSE		P04203-01	1			
14	GROMMET		4H2568-01	1			
15	GROMMET		4H2568-02	1			
16	TRUSS HEAD SCREW		FST0408S0	1			
17	THERMISTOR - CUBE COTROL		P00350-03	1			
18	TIE	CV-150	7920-0003	2			
19	CONTROL BOX COVER		380361M01	1			
20	CONTROL LABEL		475642L01	1			
21	LABEL - FUSE		466798-01	1			
22	WIRING LABEL		380362L01	1			
23	VINYL TUBE - UL		79503A00K	1			
24	SPRING WASHER		FWSP04S0	1			

IM-100CNE-HC
IM-100CNE-HC-23
IM-100CNE-HC-32

G. FRONT COVER UPPER ASSY

(F-1) and later



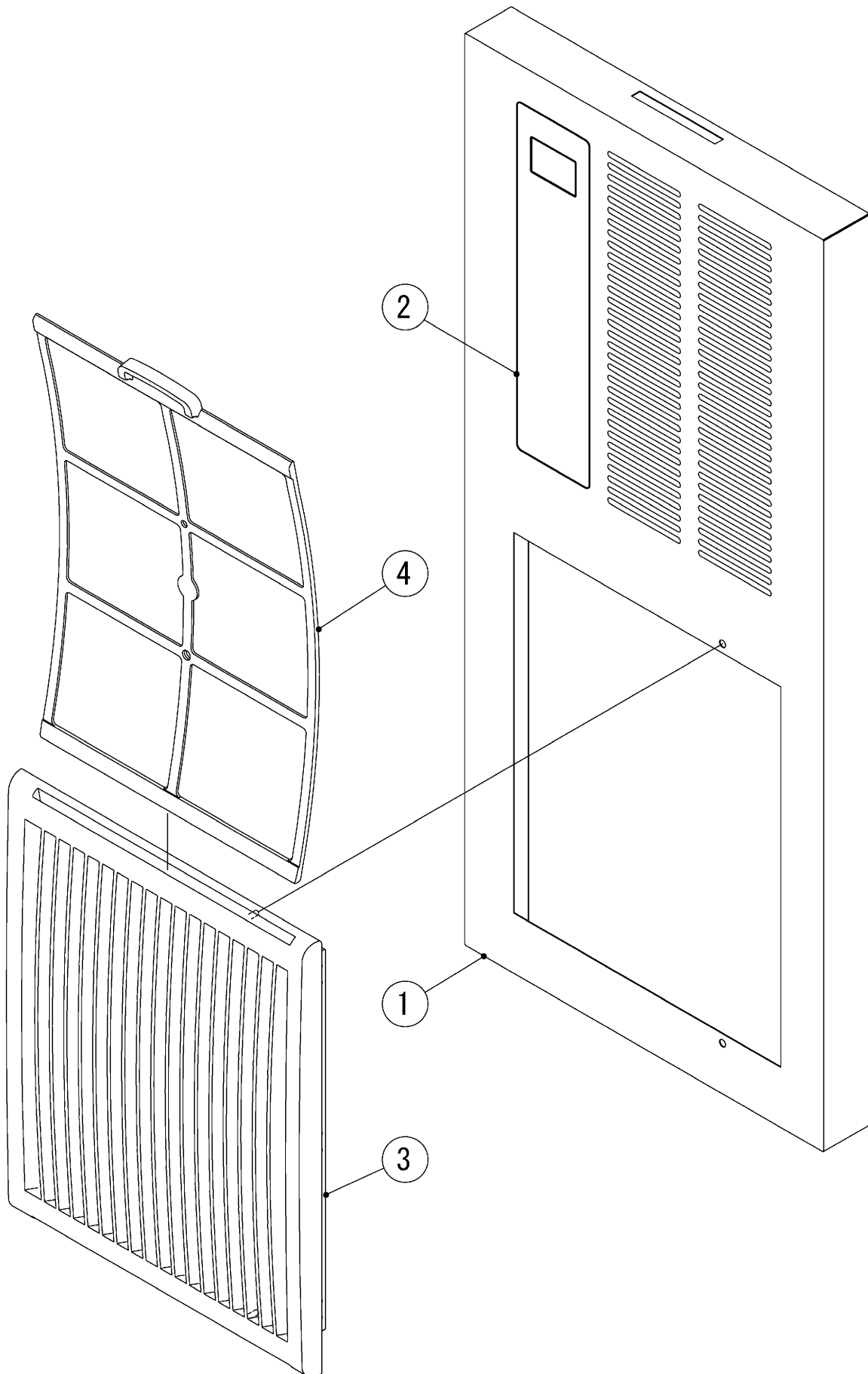
HE

MODEL: IM-100CNE-HC IM-100CNE-HC-23 IM-100CNE-HC-32		TITLE: G.FRONT COVER UPPER ASSY					
INDEX NO.	DESCRIPTION	MATERIAL OR MODEL NUMBER	PART NUMBER	REQ'D NUMBER			
				F-1			
1	FRONT COVER UPPER		3Y6320G01	1			
2	INSULATION - FRONT(A)		4Y7621P01	1			

IM-100CNE-HC
IM-100CNE-HC-23
IM-100CNE-HC-32

H. FRONT COVER (R) ASSY

(F-1) and later



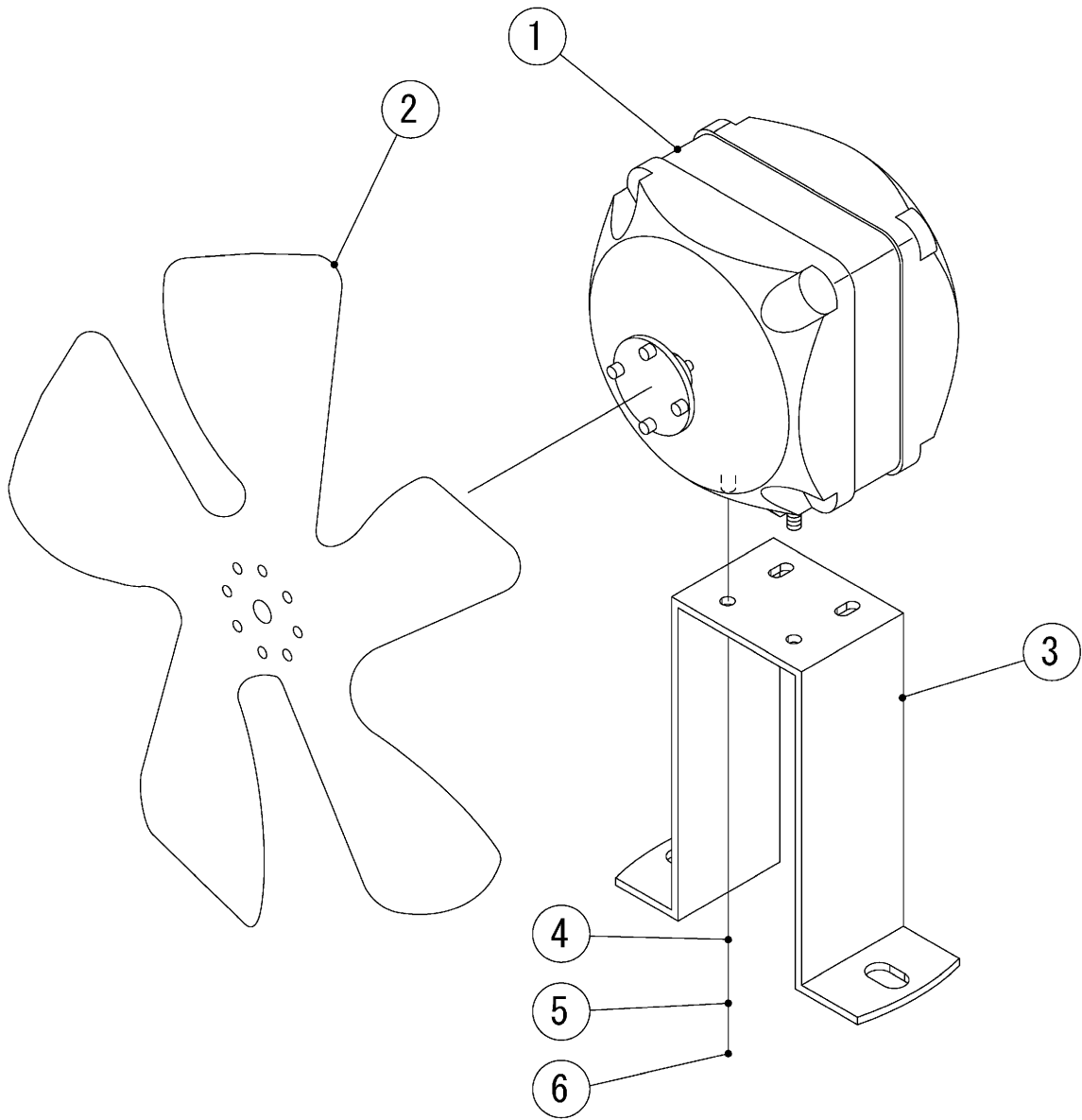
HE

MODEL: IM-100CNE-HC IM-100CNE-HC-23 IM-100CNE-HC-32		TITLE: H.FRONT COVER(R) ASSY					
INDEX NO.	DESCRIPTION	MATERIAL OR MODEL NUMBER	PART NUMBER	REQ'D NUMBER			
				F-1			
1	FRONT COVER(R)		3Y6323G01	1			
2	OPERATION LABEL		383149L01	1			
3	LOUVER		1H4811P01	1			
4	AIR FILTER		2X0416G01	1			

IM-100CNE-HC
IM-100CNE-HC-23
IM-100CNE-HC-32

J. FAN MOTOR ASSY

(F-1) and later



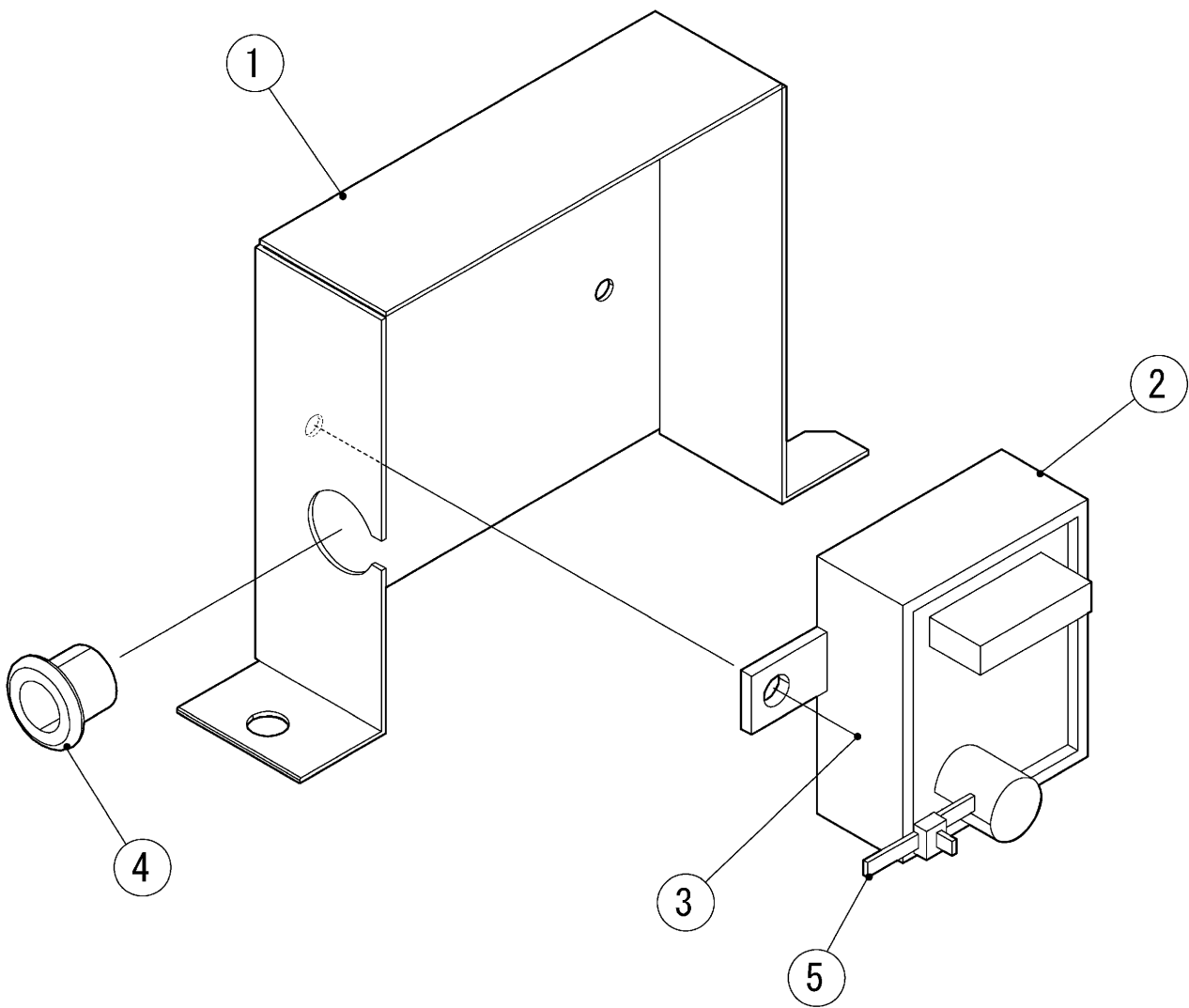
HE

MODEL: IM-100CNE-HC IM-100CNE-HC-23 IM-100CNE-HC-32		TITLE: J.FAN MOTOR ASSY					
INDEX NO.	DESCRIPTION	MATERIAL OR MODEL NUMBER	PART NUMBER	REQ'D NUMBER			
				F-1			
1	FAN MOTOR		P00022-01	1			
2	FAN		451771-01	1			
3	BRACKET - FM		3Y6143M01	1			
4	FLAT WASHER		FWPL04S0	2			
5	SPRING WASHER		FWSP04S0	2			
6	NUT		FNH104S0	2			

IM-100CNE-HC
IM-100CNE-HC-23
IM-100CNE-HC-32

K. GAS SENSOR ASSY

(F-1) and later



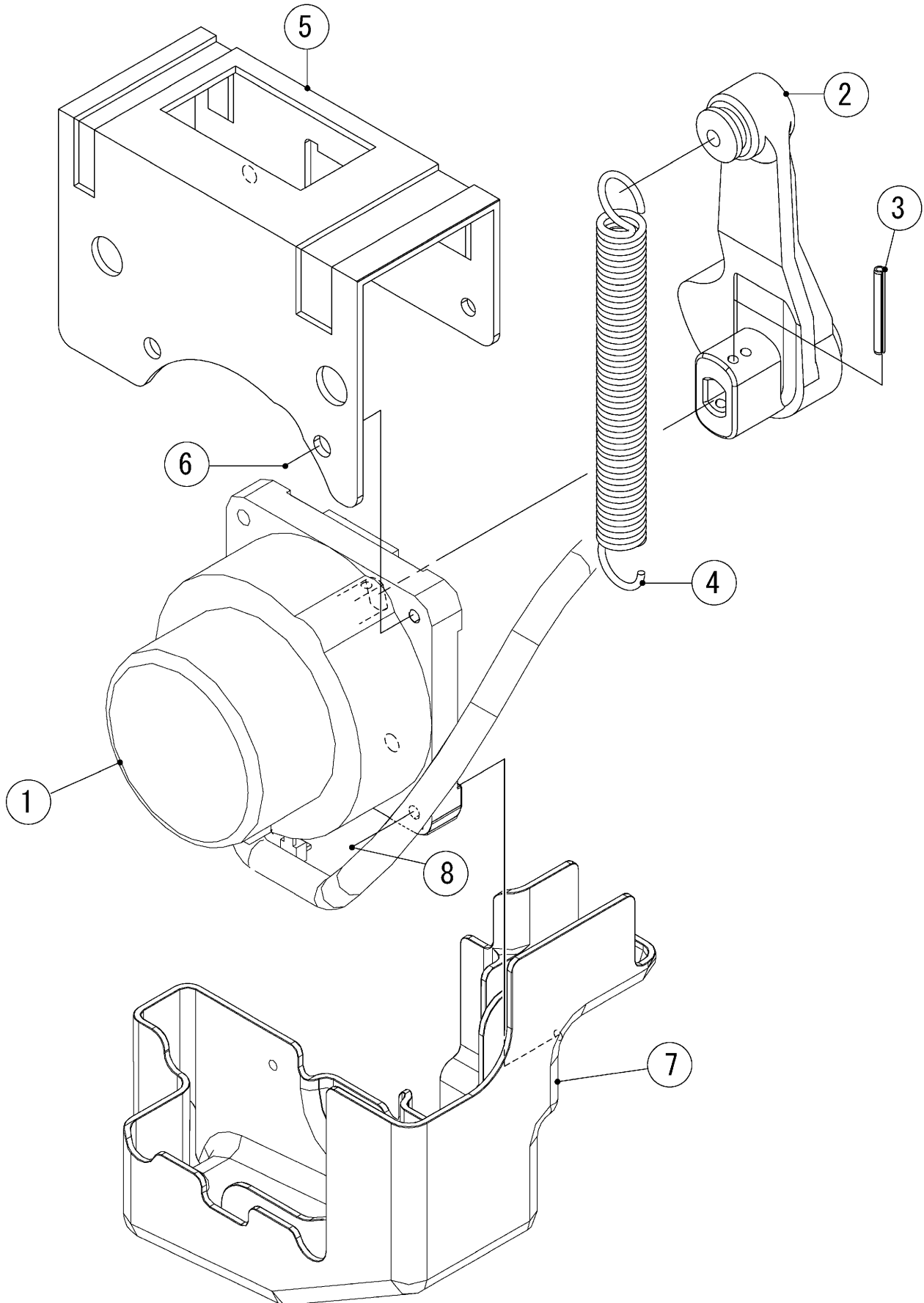
HE

MODEL: IM-100CNE-HC IM-100CNE-HC-23 IM-100CNE-HC-32		TITLE: K.GAS SENSOR ASSY					
INDEX NO.	DESCRIPTION	MATERIAL OR MODEL NUMBER	PART NUMBER	REQ'D NUMBER			
				F-1			
1	BRACKET - SENSOR		380416M01	1			
2	GAS SENSOR		P02756-03	1			
3	Flange Bolt (C-TITE)		FTR0408M0	2			
4	BUSHING		428394-02	1			
5	NYLON TIE		7920-0001	1			

IM-100CNE-HC
IM-100CNE-HC-23
IM-100CNE-HC-32

L. ACTUATOR MOTOR ASSY

(F-1) and later



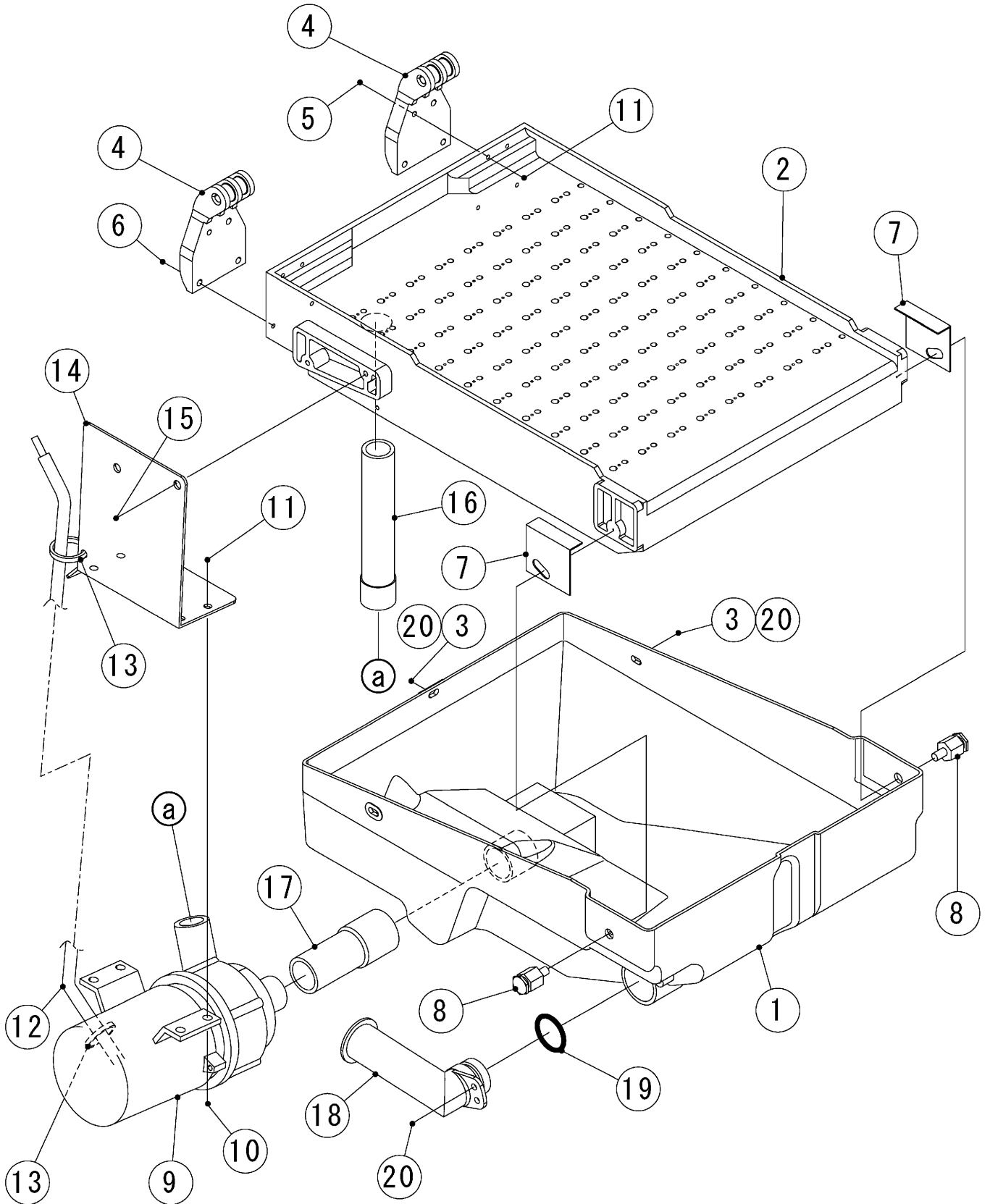
HE

MODEL: IM-100CNE-HC IM-100CNE-HC-23 IM-100CNE-HC-32		TITLE: L.ACTUATOR MOTOR ASSY					
INDEX NO.	DESCRIPTION	MATERIAL OR MODEL NUMBER	PART NUMBER	REQ'D NUMBER			
				F-1			
1	ACTUATOR MOTOR		4Y8998G01	1			
2	CAM(A)		306543G03	1			
3	SPRING PIN 3*28		712S-0328	1			
4	SPRING		4H0287-01	1			
5	BRACKET - AM		3Y2924M01	1			
6	HEX HEAD BOLT (SPRING WASHER AND FLAT WASHER)		FBK0620S0	2			
7	COVER - ACTUATOR MOTOR		1H4881P01	1			
8	T2 TRUSS HEAD SCREW		FT20416M0	2			

IM-100CNE-HC
IM-100CNE-HC-23
IM-100CNE-HC-32

M. WATER PAN ASSY

(F-1) and later



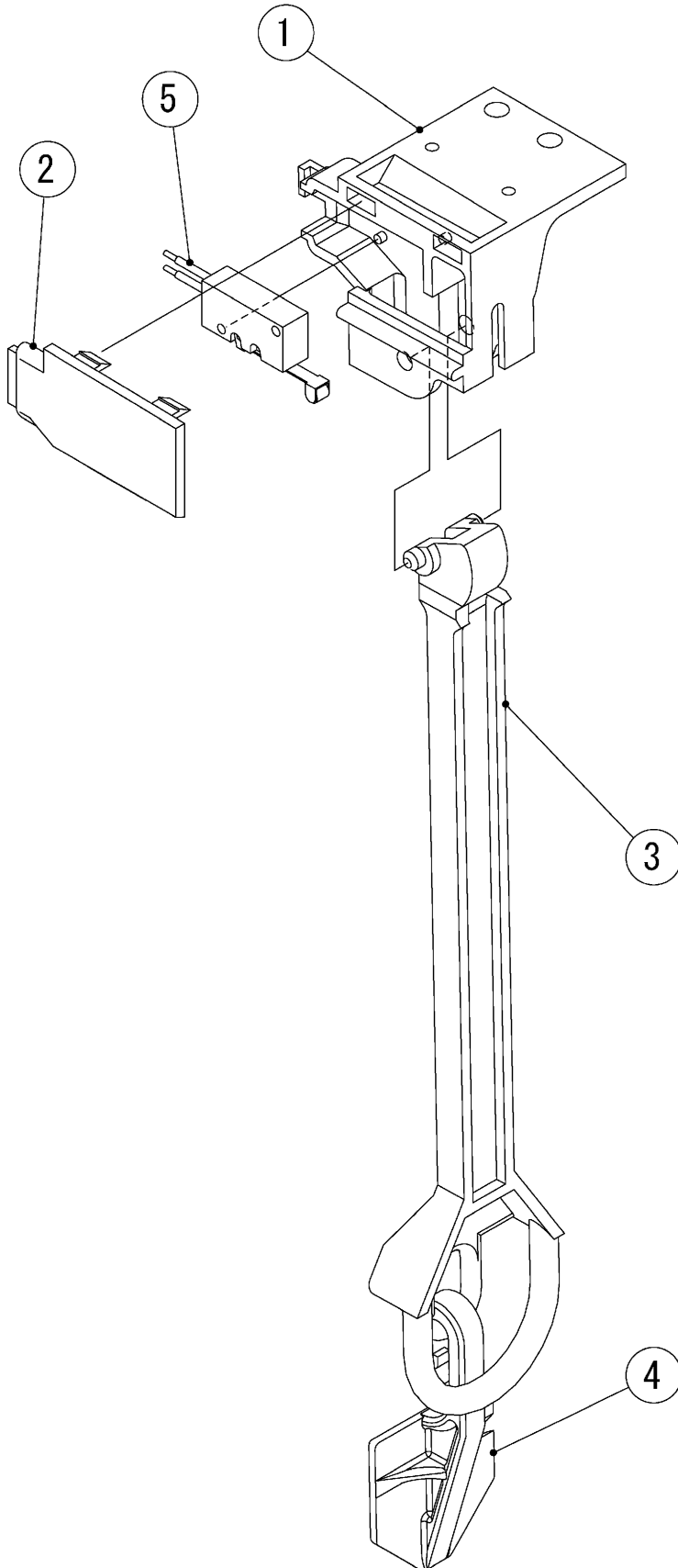
HE

MODEL: IM-100CNE-HC IM-100CNE-HC-23 IM-100CNE-HC-32		TITLE: M.WATER PAN ASSY					
INDEX NO.	DESCRIPTION	MATERIAL OR MODEL NUMBER	PART NUMBER	REQ'D NUMBER			
				F-1			
1	WATER TANK		2H2286G01	1			
2	WATER PAN ASSY		2H0833G02	1			
	WATER PLATE	IM-100CNE-HC-32	1H5824G01	1			
3	T2 TRUSS HEAD SCREW		FT20410M0	4			
4	WATER PAN HANGER		3H2059-01	2			
5	TRUSS HEAD TAPPING SCREW T2		FT20420M0	4			
	TRUSS HEAD SCREW	IM-100CNE-HC-32	FST0425S0	4			
6	T2 TRUSS HEAD SCREW		FT20416M0	4			
	TRUSS HEAD SCREW	IM-100CNE-HC-32	FST0420S0	4			
7	BRACKET		402957-01	2			
8	SCREW SPRING HOOK		4H2582G01	2			
9	PUMP MOTOR	PMX-352BHZ1S	P02715-01	1			
10	HEX HEAD BOLT (SPRING WASHER AND FLAT WASHER)		FBK0412S0	4			
	FLANGE NUT	IM-100CNE-HC-32	FNHF04S0	4 8			
12	TUBE - SILICONE		4Y7388Z02	1			
13	TIE	CV-100	7920-0002	2			
14	BRACKET - PUMP		4Y7503M01	1			
15	TRUSS HEAD TAPPING SCREW T2		FT20516M0	2			
	TRUSS HEAD SCREW	IM-100CNE-HC-32	FST0516S0	2			
16	TUBING - PUMP DISCHARGE		4Y7517G01	1			
17	SUCTION TUBE		4Y7518G01	1			
18	PIPE - DRAIN		315530-01	1			
19	O-RING		7611-G025	1			
20	TRUSS HEAD SCREW		FST0408S0	1			
		IM-100CNE-HC-32	FST0408S0	4			

IM-100CNE-HC
IM-100CNE-HC-23
IM-100CNE-HC-32

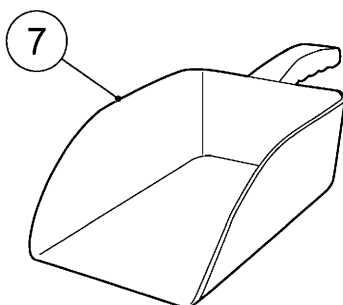
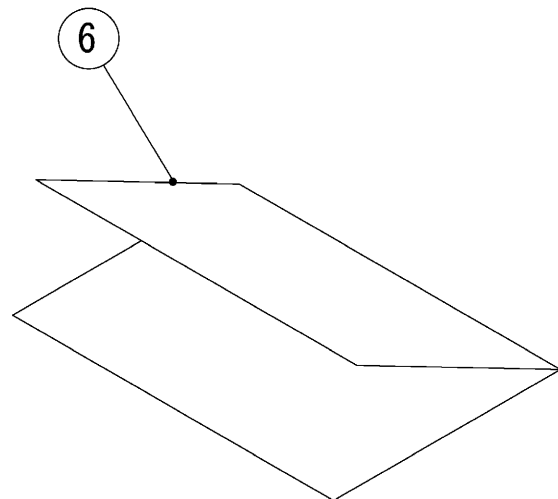
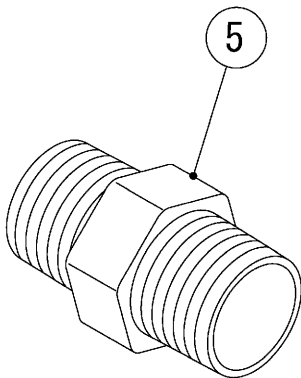
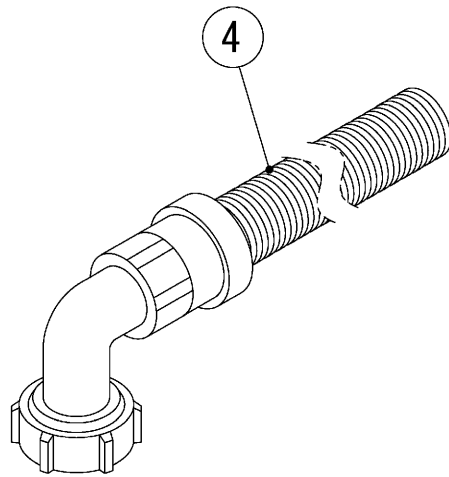
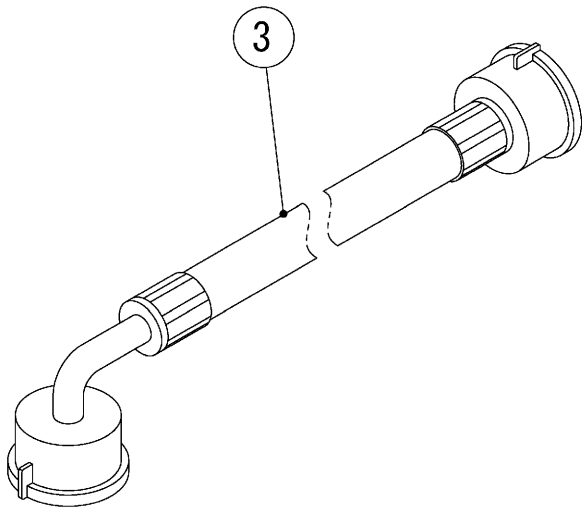
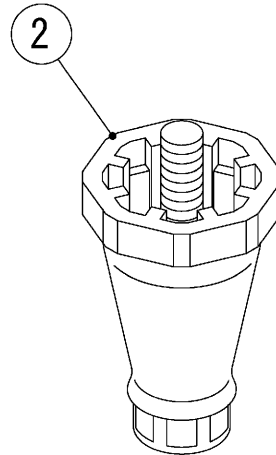
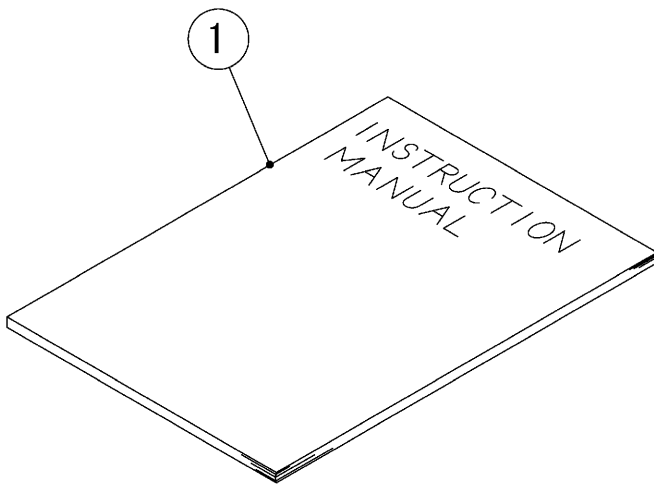
N. BIN CONTROL SWITCH

(F-1) and later



HE

MODEL: IM-100CNE-HC IM-100CNE-HC-23 IM-100CNE-HC-32		TITLE: N.BIN CONTROL SWITCH					
INDEX NO.	DESCRIPTION	MATERIAL OR MODEL NUMBER	PART NUMBER	REQ'D NUMBER			
				F-1			
1	SWICH BOX		2H2043-01	1			
2	SWITCH BOX COVER		4H8785-01	1			
3	SWITCH ACTUATOR		3H1369-02	1			
4	DETECTOR		311044-01	1			
5	MICRO SWITCH		456432-02	1			



HE

MODEL: IM-100CNE-HC IM-100CNE-HC-23 IM-100CNE-HC-32				TITLE: P.ACCESSORIES			
INDEX NO.	DESCRIPTION	MATERIAL OR MODEL NUMBER	PART NUMBER	REQ'D NUMBER			
				F-1			
1	INSTRUCTION MANUAL		L1M036204	1			
2	LEG		446729-01	5			
3	INLET HOSE	TC138-AF-HY	P03534-01	1			
4	OUTLET HOSE		452365-01	1			
5	NIPPLE		4H6125-01	1			
6	INSTRUCTION MANUAL		121594L01	1			
7	SCOOP		P00314-01	1			