

| | |
|---------------------|---------------|
| No. | G006-3234 |
| ISSUED: | JUL. 27, 2009 |
| REVISED: | JUL. 12, 2011 |
| SERVICE INFORMATION | |

: ---



**HOSHIZAKI
ICE STORAGE BIN**

MODEL B-140SA

PARTS LIST
(CHINA)

U-1 JUL. 2009

AUXILIARY CODE

U - 1

The auxiliary code is the first two characters in the serial number. The first character indicates the production year. Years progress or regress in alphabetical order. The series of letters and skipped letters depend on UL listing, production, and model. See the auxiliary code(s) and corresponding year(s) on the front cover.

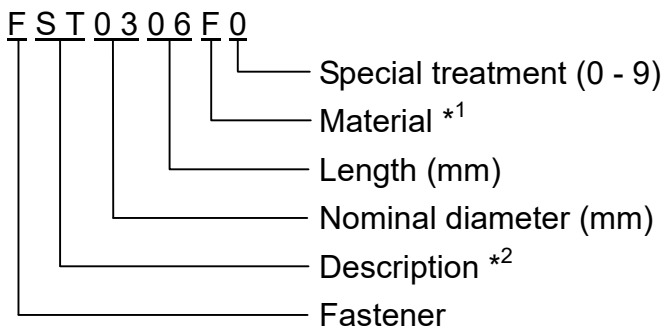
The second character indicates significant part changes within the same year. Base is "1" and this number advances for each change. If there is no significant part change at the turn of the year, this number starts from "0."

MARKS LOCATED UNDER THE AUXILIARY CODE

- = Part deleted.
- x = Part deleted and replaced by "o" part.
- o = New part in place of "x" part.

FASTENER PART NUMBER

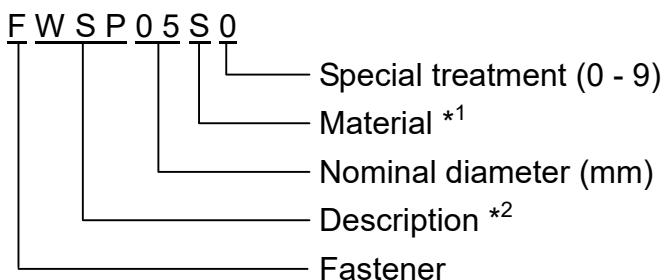
SCREWS



*1 Material

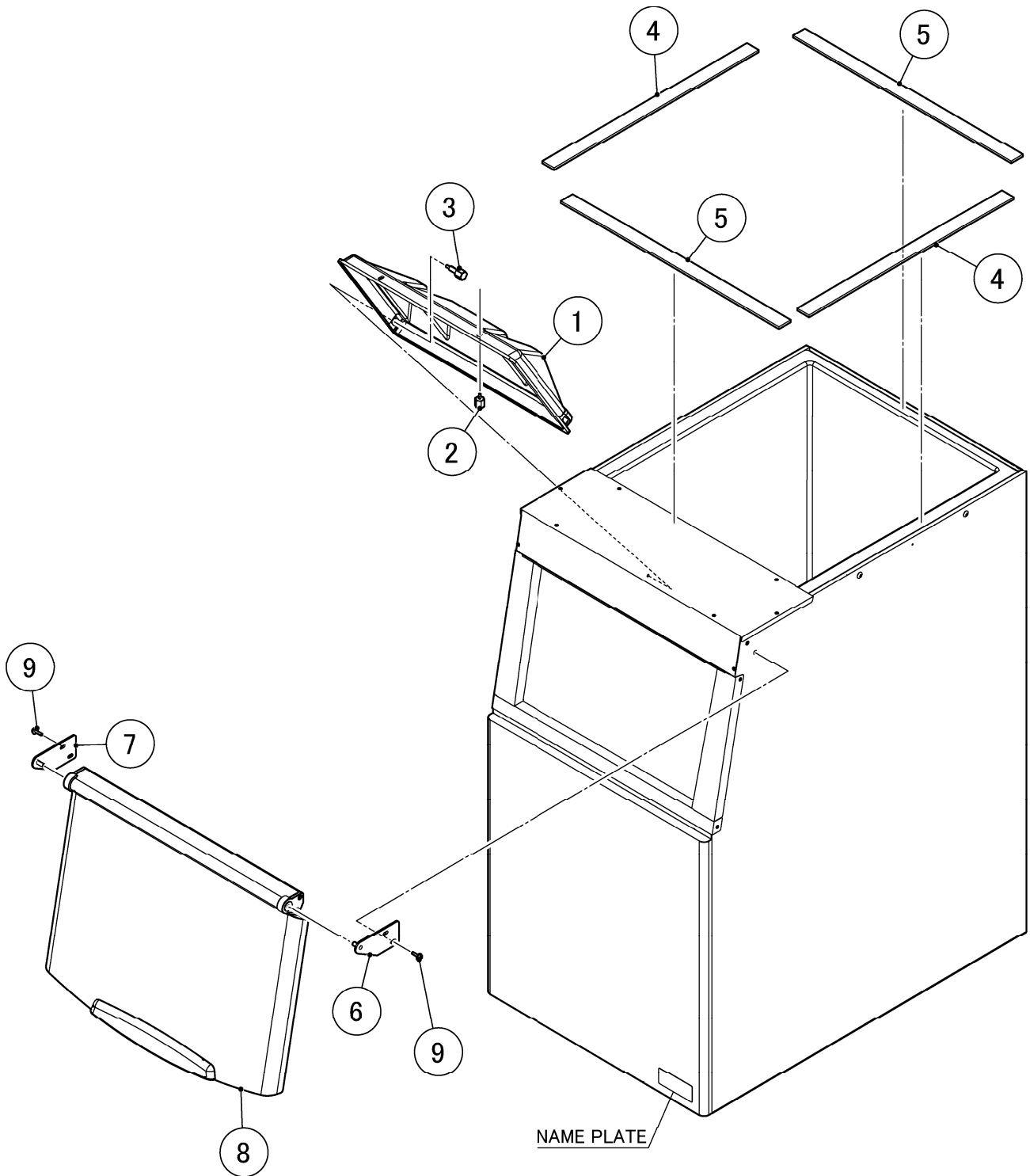
- F: Steel
- S: Austenitic stainless steel
- M: Martensitic stainless steel
- B: Copper alloy
- P: Polycarbonate
- N: Polyamide
- V: PVC
- A: ABS
- X: Polyacetal
- L: Aluminum

NUTS & WASHERS



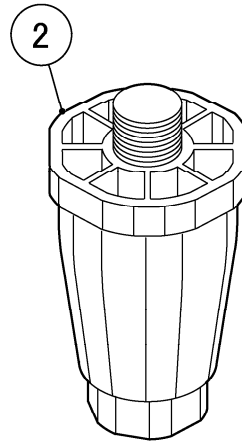
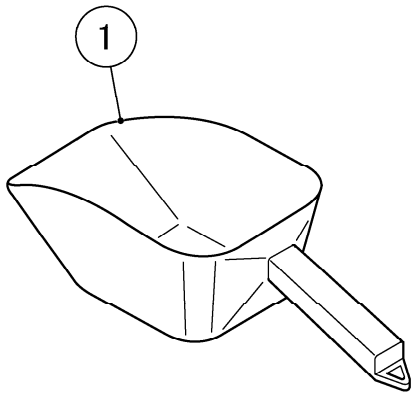
*2 Description

- First letter
- S: Machine screw
- T: Tapping screw
- M: Wood screw
- B: Bolt
- W: Washer
- N: Nut



CHINA

| MODEL: B-140SA | | | | TITLE: A. BIN ASSEMBLY | | | |
|-----------------------|-------------|--------------------------|-------------|-------------------------------|--|--|--|
| INDEX NO. | DESCRIPTION | MATERIAL OR MODEL NUMBER | PART NUMBER | REQ'D NUMBER | | | |
| | | | | U-1 | | | |
| B | ACCESSORIES | | A01904-01 | 1 | | | |
| | | | | | | | |
| 1 | BAFFLE - 3 | | 119680P01 | 1 | | | |
| 2 | THUMBSCREW | | 415949G12 | 2 | | | |
| 3 | THUMBSCREW | | 434168G01 | 2 | | | |
| 4 | GASKET | | 474046P01 | 2 | | | |
| 5 | GASKET | | 474046P03 | 2 | | | |
| 6 | HINGE (R) | | 474049G01 | 1 | | | |
| 7 | HINGE (L) | | 474048G01 | 1 | | | |
| 8 | DOOR - 3 | | 257307G01 | 1 | | | |
| 9 | FLANGE BOLT | SUS 5x16 | 445994-02 | 4 | | | |
| | | | | | | | |
| | | | | | | | |
| | | | | | | | |
| | | | | | | | |
| | | | | | | | |
| | | | | | | | |
| | | | | | | | |
| | | | | | | | |
| | | | | | | | |
| | | | | | | | |
| | | | | | | | |
| | | | | | | | |
| | | | | | | | |
| | | | | | | | |
| | | | | | | | |
| | | | | | | | |
| | | | | | | | |
| | | | | | | | |
| | | | | | | | |
| | | | | | | | |
| | | | | | | | |
| | | | | | | | |
| | | | | | | | |
| | | | | | | | |
| | | | | | | | |



CHINA

| MODEL: B-140SA | | TITLE: B. ACCESSORIES | | | | | |
|-----------------------|-------------|------------------------------|-------------|--------------|--|--|--|
| INDEX NO. | DESCRIPTION | MATERIAL OR MODEL NUMBER | PART NUMBER | REQ'D NUMBER | | | |
| | | | | U-1 | | | |
| 1 | SCOOP | | 208185-01 | 1 | | | |
| 2 | LEG | | P00316-01 | 4 | | | |
| | | | | | | | |
| | | | | | | | |
| | | | | | | | |
| | | | | | | | |
| | | | | | | | |
| | | | | | | | |
| | | | | | | | |
| | | | | | | | |
| | | | | | | | |
| | | | | | | | |
| | | | | | | | |
| | | | | | | | |
| | | | | | | | |
| | | | | | | | |
| | | | | | | | |
| | | | | | | | |
| | | | | | | | |
| | | | | | | | |
| | | | | | | | |
| | | | | | | | |
| | | | | | | | |
| | | | | | | | |
| | | | | | | | |
| | | | | | | | |
| | | | | | | | |
| | | | | | | | |
| | | | | | | | |
| | | | | | | | |
| | | | | | | | |
| | | | | | | | |
| | | | | | | | |
| | | | | | | | |
| | | | | | | | |
| | | | | | | | |