

No.	F074-3425
ISSUED:	Jan. 27, 2011
REVISED:	Dec. 14, 2015



**HOSHIZAKI
FLAKE ICE MAKER**

**MODEL FM-1800ALKE(-SB)
FM-1800ALKE-N(-SB)**

(F074, F074-C101, F074-C106, F074-C107)

**PARTS LIST
(HE)**

D-1	JAN. 2014	A-1	JAN. 2011
E-0	JAN. 2015	A-3	AUG. 2011
E-2	SEP. 2015	B-0	JAN. 2012
		B-1	APR. 2012
		C-0	JAN. 2013
		D-0	JAN. 2014

List of Specifications

FM-1800ALKE	F074	Standard
FM-1800ALKE-SB	F074-C101	Chasiss : SUS304
FM-1800ALKE-N	F074-C106	Nugget type
FM-1800ALKE-N-SB	F074-C107	Nugget type, Chasiss : SUS304

Auxiliary Codes

Auxiliary Code Breakdown

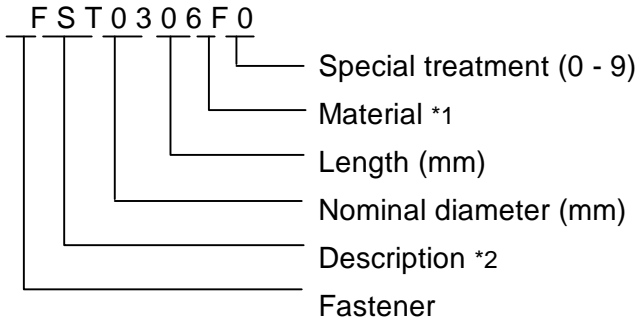
The auxiliary code is the first two characters in the serial number. The first character indicates the year. Years progress or regress in alphabetical order. The series runs from "A" through "V" and the letters "I" and "O" are skipped. The second character indicates significant part changes within a year. Base is "0" and this number advances for each change. In cases where there is a letter in parentheses, this designates the month. This is the last character in the serial number. The series runs from "(A)" through "(M)" and the letter "(I)" is skipped. This designation is only included when identifying a parts change within an auxiliary code.

Note About Ordering Parts

Most assemblies cannot be ordered as complete units; parts in the assemblies generally must be ordered separately.

FASTENER PART NUMBER

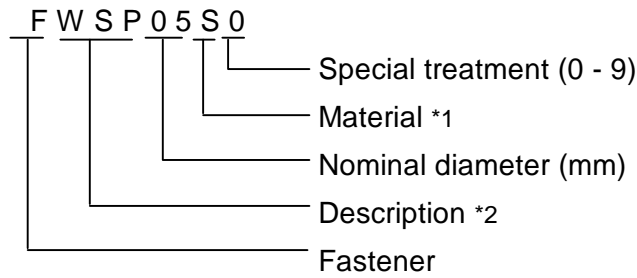
SCREWS



*1

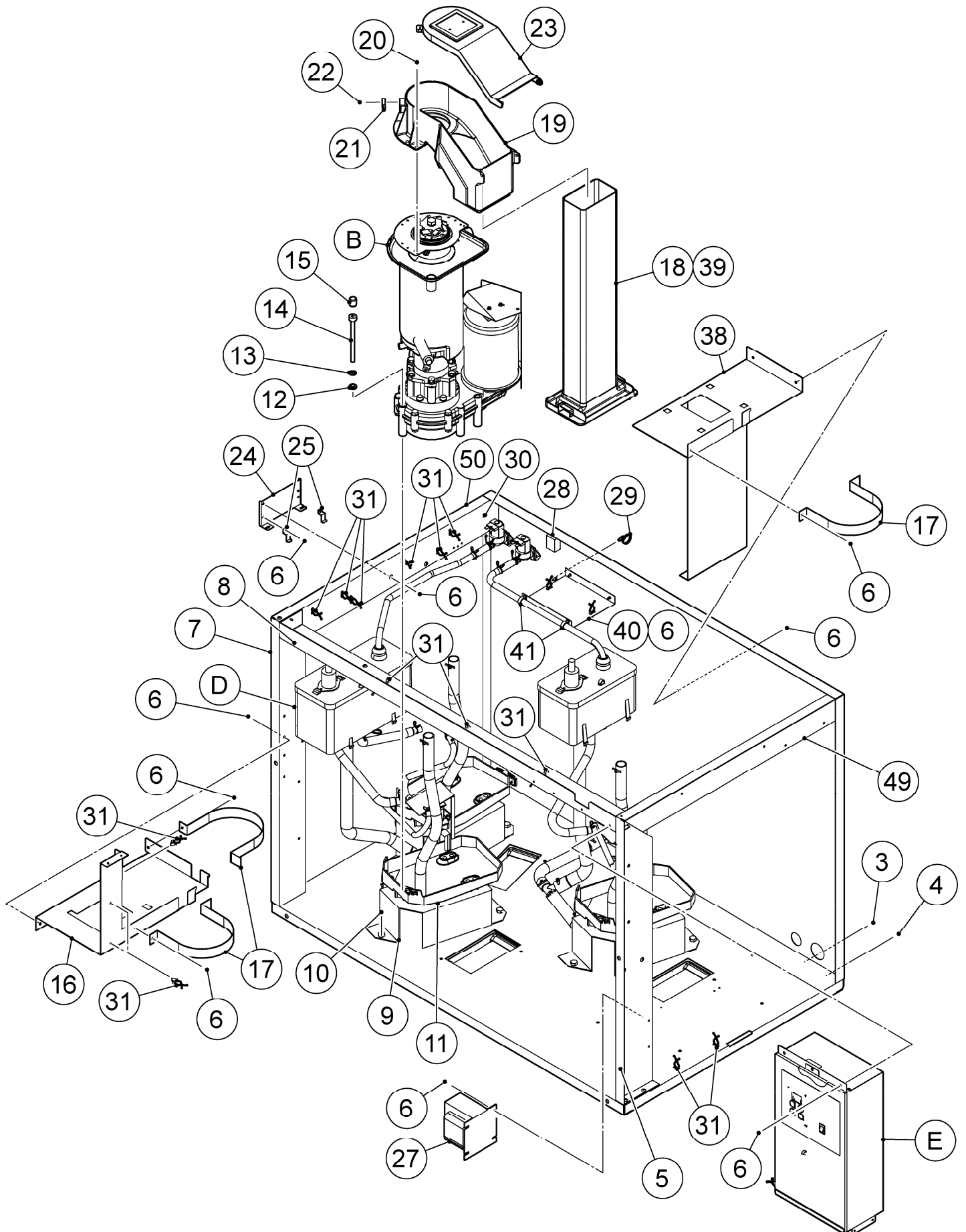
- F: Steel
- S: Austenitic stainless steel
- M: Martensitic stainless steel
- B: Copper alloy
- P: Polycarbonate
- N: Polyamide
- V: PVC
- A: ABS
- X: Polyacetal
- L: Aluminum

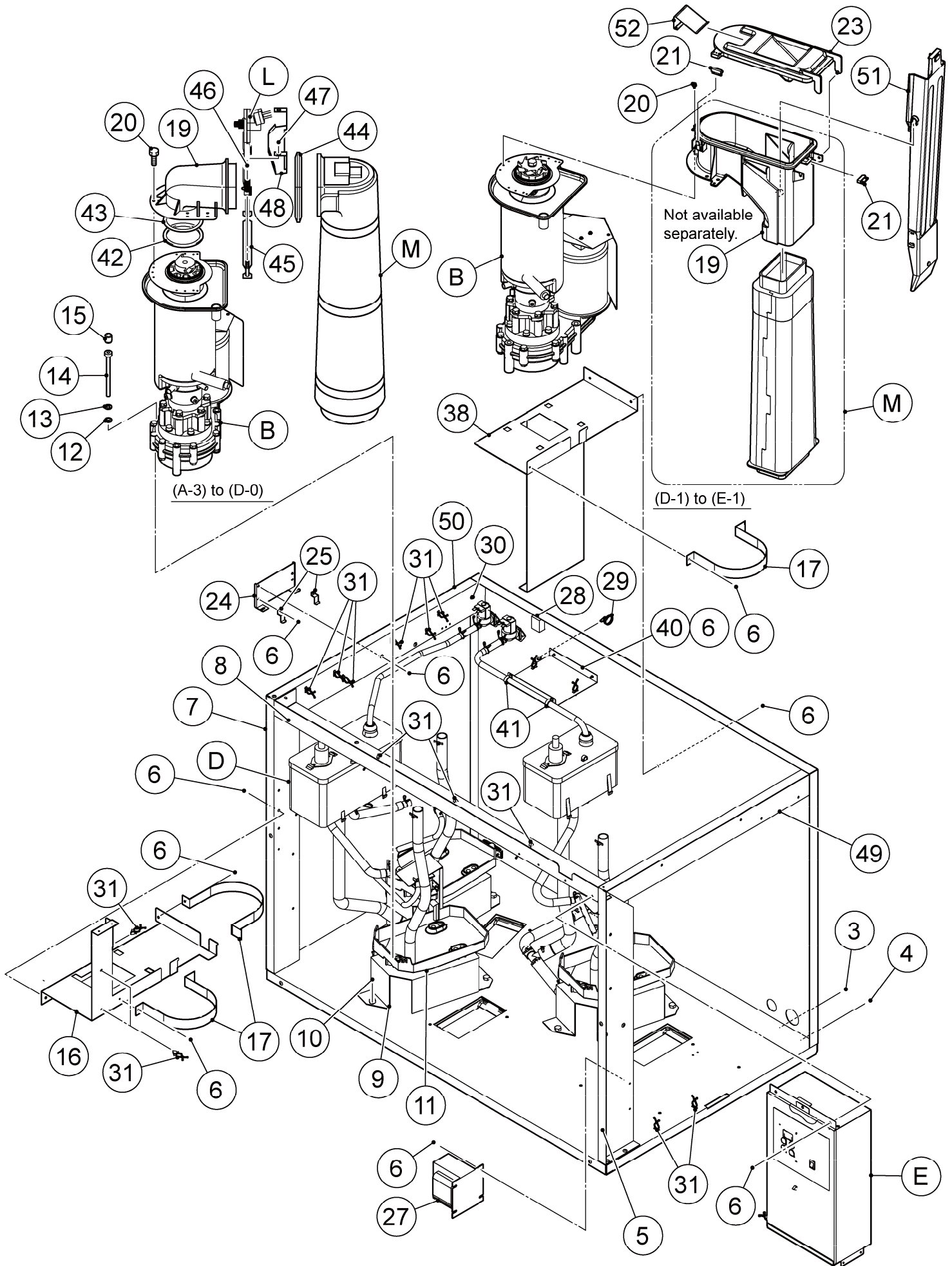
NUTS & WASHERS

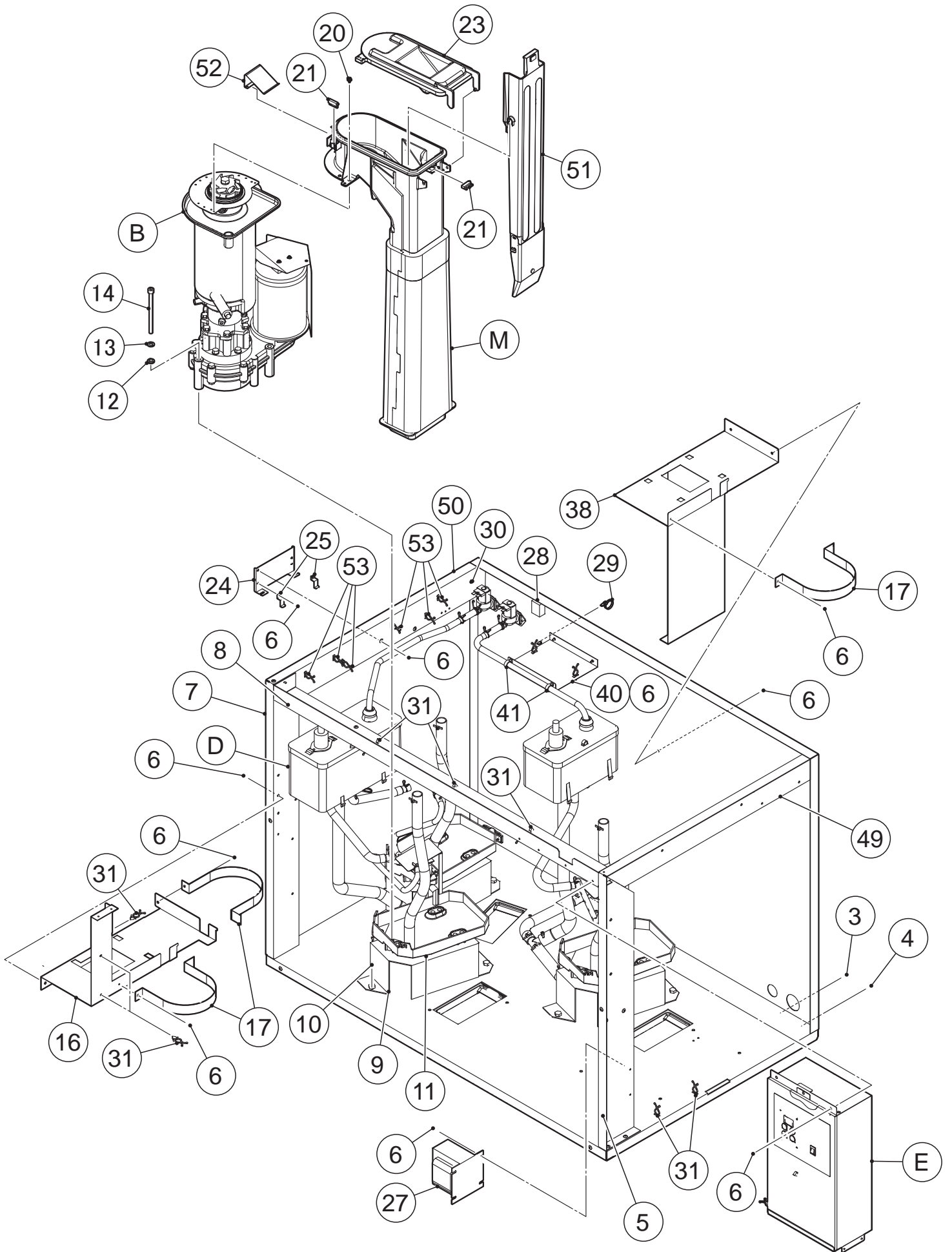


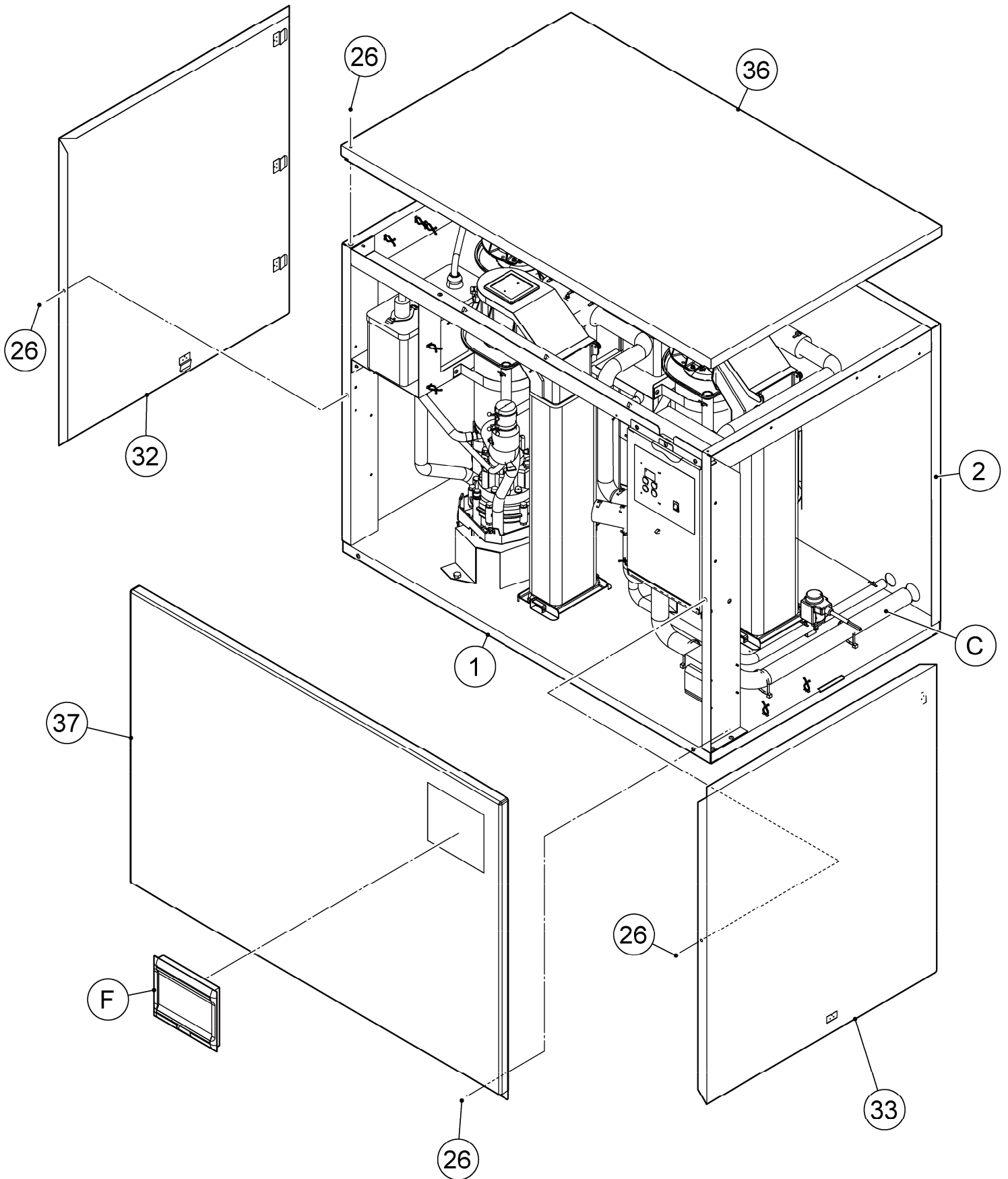
*2

- First letter
- S: Machine screw
- T: Tapping screw
- M: Wood screw
- B: Bolt
- W: Washer
- N: Nut









HE

MODEL: FM-1800ALKE(-SB) FM-1800ALKE-N(-SB)		TITLE: A. ICE FLAKER ASSY						
INDEX NO.	DESCRIPTION	MATERIAL OR MODEL NUMBER	PART NUMBER	REQ'D NUMBER				
				A-1 A-2	A-3 B-0	B-1 D-0	D-1 E-1	E-2
B	ICE MAKING UNIT	FM-1800ALKE (-SB)	259147A01	3	-	-	-	-
			259147005	-	3	-	-	-
			262649A04	-	-	1	-	-
			264097A05	-	-	-	3	3
		FM-1800ALKE-N (-SB)	259147A04	3	-	-	-	-
			259147006	-	3	-	-	-
			262649A05	-	-	1	-	-
			264097A09	-	-	-	1	1
C	REFRIGERATION CIRCUIT		121267A01	1	-	-	-	-
			121267001	-	1	1	-	-
			122588A01	-	-	-	1	1
D	WATER CIRCUIT		121268A01	1	-	-	-	-
			121268001	-	1	1	-	-
			122589A01	-	-	-	1	1
E	CONTROL BOX ASSY		260029A01	1	1	-	-	-
			263185A01	-	-	1	1	1
F	WINDW PANEL ASSY		348243A03	1	1	1	1	1
G	LABEL LOCATION	FM-1800ALKE	260001A03	1	1	-	-	-
			260001007	-	-	1	-	-
			264468A03	-	-	-	1	1
		FM-1800ALKE-SB	264468003	-	-	-	1	1
		FM-1800ALKE-N	260001A04	1	1	-	-	-
			260001008	-	-	1	-	-
			264468A04	-	-	-	1	1
		FM-1800ALKE-N-SB	264468004	-	-	-	1	1
J	ACCESSORIES		A02397-01	1	1	1	1	1
K	OPTIONAL PARTS		OPT-F074	1	1	1	1	1
L	BAND ASSY	S-9165	348911A01	-	3	3	-	-
M	CHUTE ASSY		113006A01	-	3	3	-	-
		Integrated with 19.SPOUT - 70 Not available separately. Order M.SPOUT ASSY - CHUTE 70 (268065A02)		-	-	-	3	-
	SPOUT ASSY - CHUTE 70		268065A02	-	-	-	-	3

HE

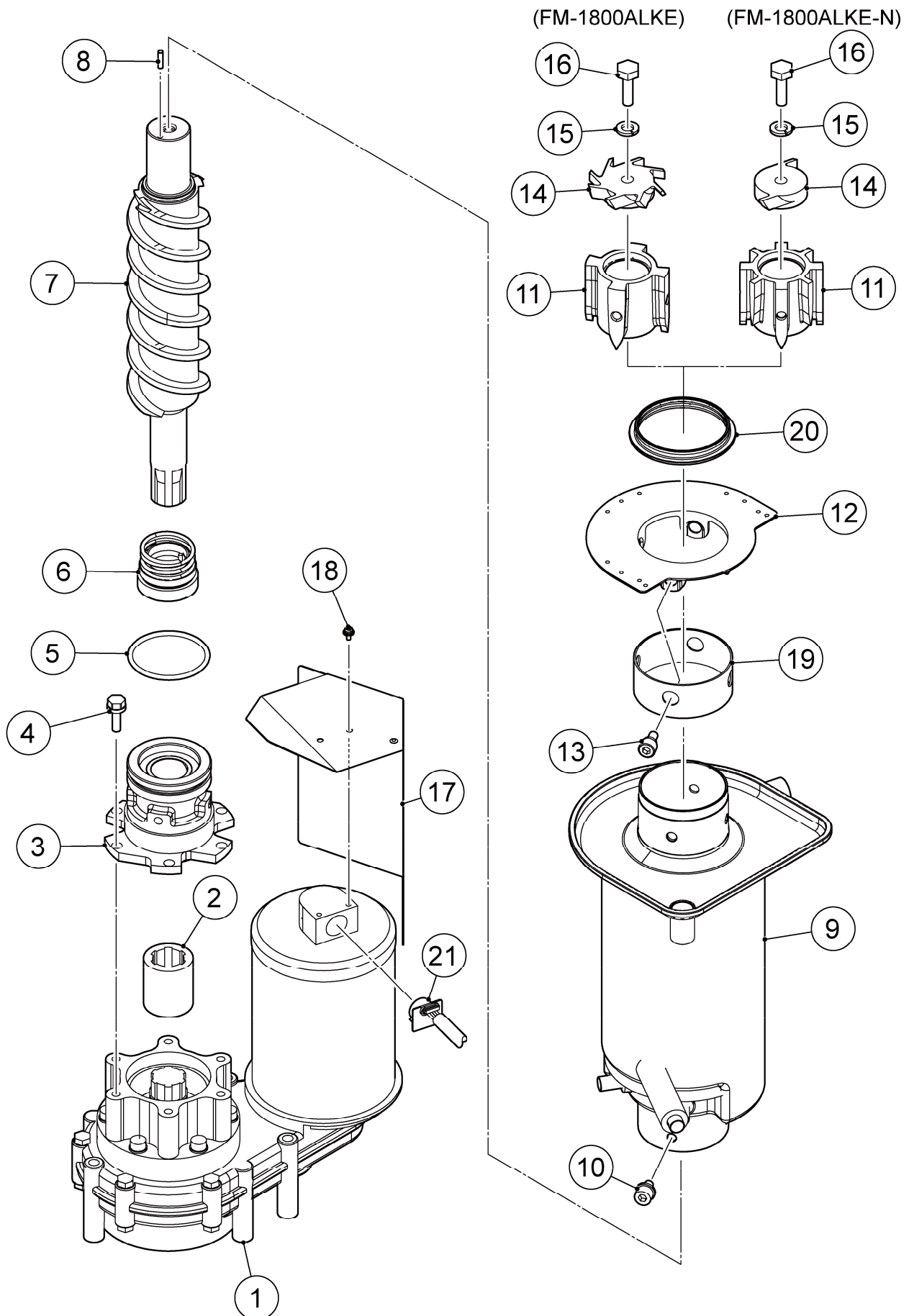
MODEL: FM-1800ALKE(-SB) FM-1800ALKE-N(-SB)		TITLE: A. ICE FLAKER ASSY						
INDEX NO.	DESCRIPTION	MATERIAL OR MODEL NUMBER	PART NUMBER	REQ'D NUMBER				
				A-1 A-2	A-3 B-0	B-1 D-0	D-1 E-1	E-2
1	CHASSIS		260022G01	1	-	-	-	-
			261473G01	-	1	1	-	-
			264412G01	-	-	-	1	1
		FM-1800ALKE-SB FM-1800ALKE-N-SB	266394G01	-	-	-	1	1
2	REAR PANEL		121266M01	1	-	-	-	-
			121587M01	-	1	1	-	-
			122591M01	-	-	-	1	1
3	HEX HEAD BOLT (SPRING WASHER AND FLAT WASHER)		FBK0512S0	4	4	4	4	4
4	TRUSS HEAD TAPPING SCREW T2		FT20408F0	2	2	2	2	2
5	SIDE FRAME (R1)		264212M01	1	1	1	1	1
6	TRUSS HEAD MACHINE SCREW		FST0408F0	37	37	37	31	31
7	SIDE FRAME (L1)		264214M01	1	1	1	1	1
8	FRONT FRAME		260027M01	1	1	-	-	-
			262672M01	-	-	1	-	-
			264416M01	-	-	-	1	1
9	BRACKET - GEAR MOTOR		374371G01	3	3	3	3	3
10	HEX HEAD BOLT		FBH0812S0	9	9	9	9	9
11	DRAIN PAN		323765G01	3	3	-	-	-
			261640P01			3	3	3
12	SEAL WASHER		458299-01	9	9	9	9	9
13	SPRING WASHER		FWSP08S0	9	9	9	9	9
14	HEXAGON SOCKET HEAD CAP SCREW		461285-01	9	9	9	9	9
15	VINYL CAP		451272-01	9	9	9	-	-
16	BRACKET-RESERVOIR		259148M01	1	-	-	-	-
			261346M01	-	1	1	-	-
			264083M01	-	-	-	1	1
17	BAND		475195M01	3	3	3	3	3
18	BIN CONTROL		375652G03	3	-	-	-	-
19	SPOUT - 70		373329G01	3	-	-	-	-
	SPOUT		104797-01	-	3	3	-	-
	SPOUT - 70	Integrated with CHUTE Not available separately. Order SPOUT - CHUTE 70 (268064G02)		-	-	-	3	-

HE

MODEL: FM-1800ALKE(-SB) FM-1800ALKE-N(-SB)		TITLE: A. ICE FLAKER ASSY						
INDEX NO.	DESCRIPTION	MATERIAL OR MODEL NUMBER	PART NUMBER	REQ'D NUMBER				
				A-1 A-2	A-3 B-0	B-1 D-0	D-1 E-1	E-2
20	HEX HEAD BOLT (SPRING WASHER AND FLAT WASHER)		FBK0408S0	9	9	9	9	9
21	LEAD SWITCH		431788-01	3	-	-	-	-
			P02940-01	-	-	-	6	6
22	TRUSS HEAD TAPPING SCREW T2		FT20308M0	3	-	-	-	-
23	SPOUT COVER - 70		256359G01	3	-	-	-	-
			263887G01	-	-	-	3	3
24	BRACKET-WATER SUPPLY		475199M01	1	1	-	-	-
			476650M01	-	-	1	1	1
25	BRACKET (A) - WATER SUPPLY		474638M01	2	2	-	-	-
26	TRUSS HEAD MACHINE SCREW		FST0408S0	5	5	11	13	13
27	TRANSFORMER		469405-01	1	1	-	-	-
28	CONNECTOR		P00246-01	1	1	1	1	1
29	PUSH MOUNT TIE		436156-01	1	1	1	-	-
30	PAN HEAD MACHINE SCREW (SPRING WASHER AND FLAT WASHER)		FSK0408S0	1	1	1	1	1
31	CLAMP	No.249	427902-03	19	19	19	21	15
32	SIDE PANEL(L)		234110G01	1	1	-	-	-
			261989M01	-	-	1	1	1
33	SIDE PANEL(R)		234109G01	1	1	-	-	-
			262071M01	-	-	1	1	1
36	TOP PANEL		260030M01	1	-	-	-	-
			261490M01	-	1	1	1	1
37	FRONT PANEL (A)		121269G01	1	1	1	1	1
38	BRACKET(B)-RESERVOIR		260028M01	1	-	-	1	1
			261474M01	-	1	1	-	-
39	CHUTE - INSULATION		475289P03	3	-	-	-	-
40	BRACKET-WATER SUPPLY		375042M01	1	-	-	1	1
			375959M01	-	1	1	-	-
41	CLAMP		428644-03	2	2	4	4	4
42	RING		432661-02	-	3	3	-	-
43	O-RING	4DG70	7616-G070	-	3	3	-	-
44	PACKING		454256-01	-	3	3	-	-
45	BAND (B)		459995G01	-	3	3	-	-

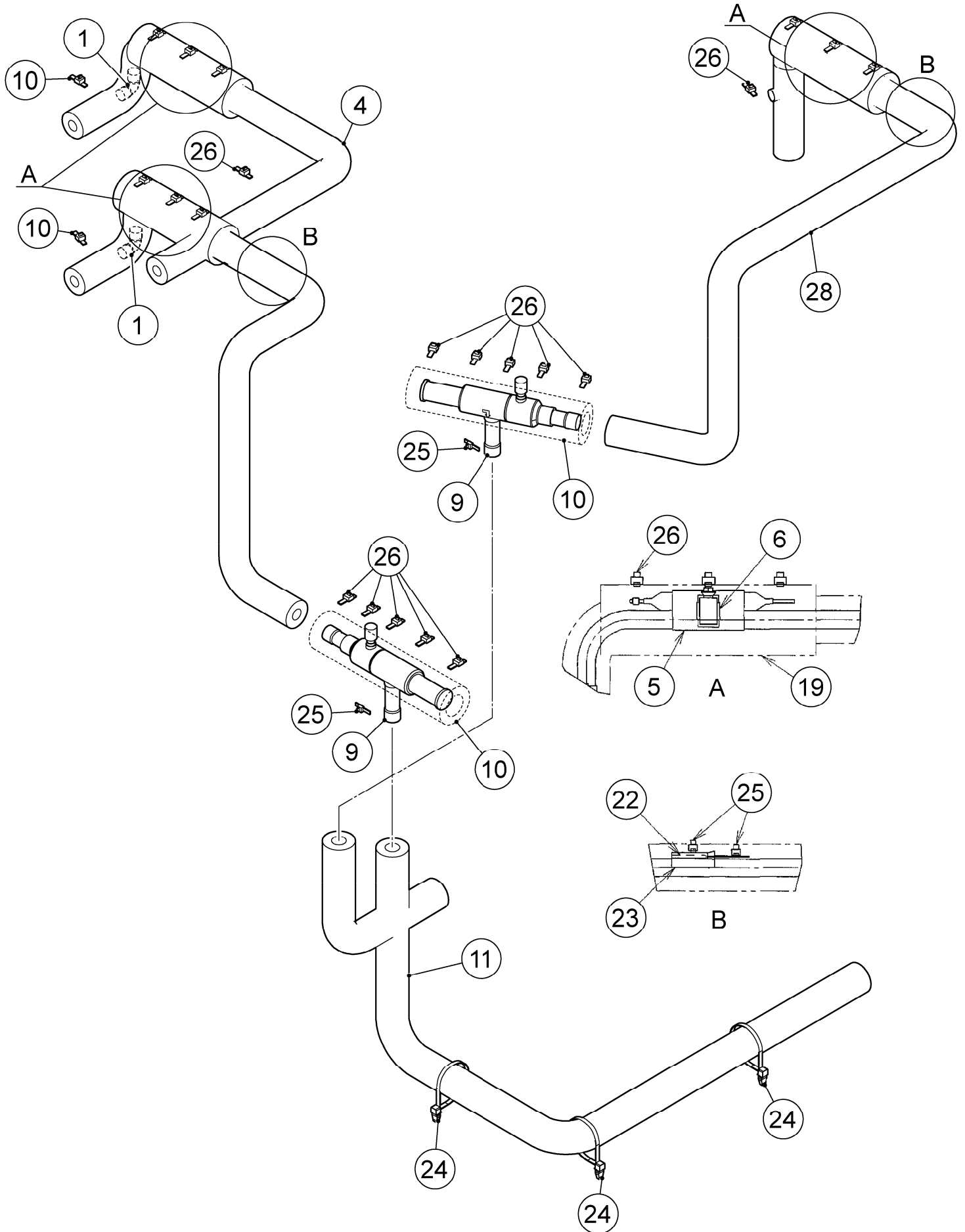
HE

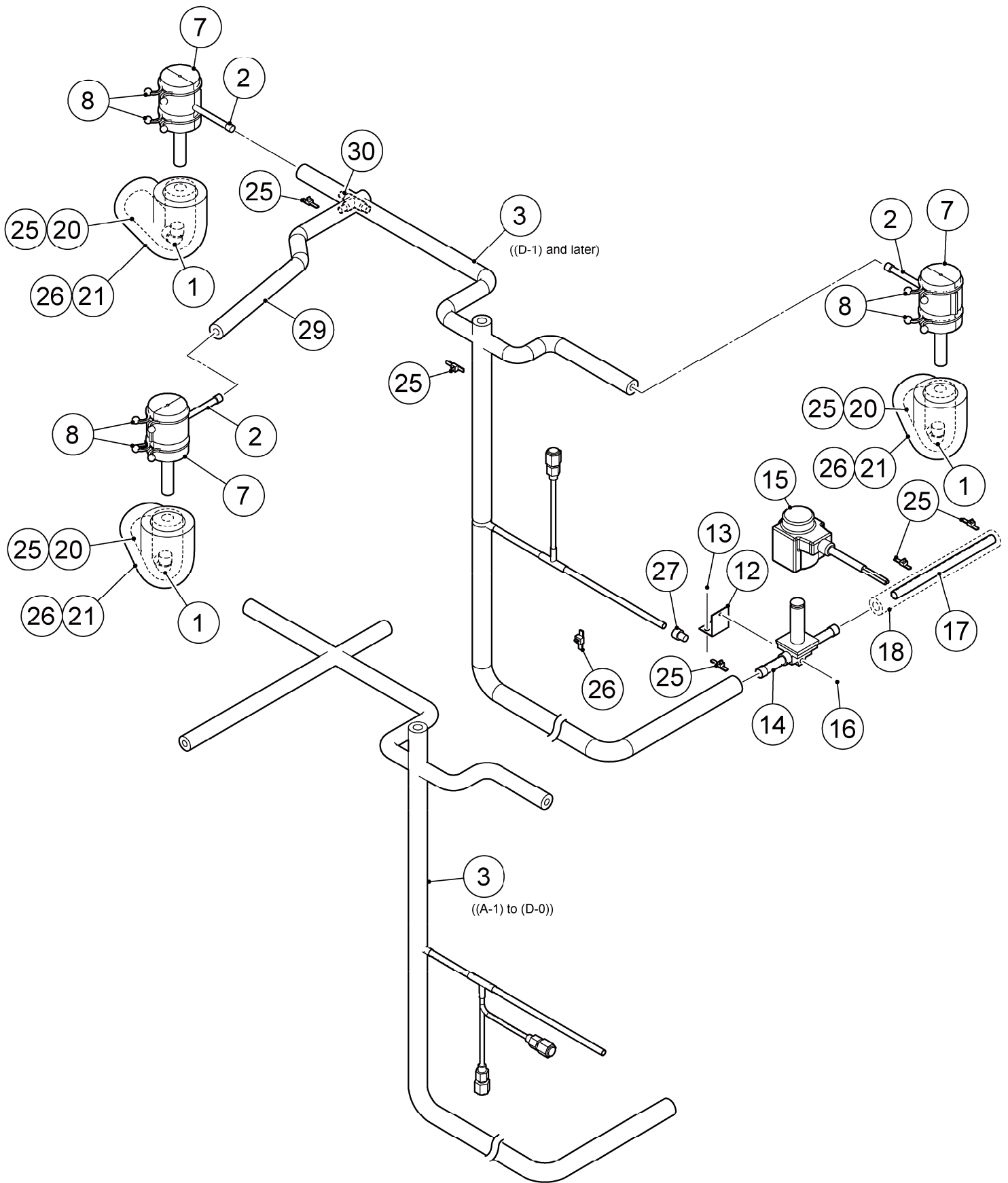
MODEL: FM-1800ALKE(-SB) FM-1800ALKE-N(-SB)		TITLE: A. ICE FLAKER ASSY						
INDEX NO.	DESCRIPTION	MATERIAL OR MODEL NUMBER	PART NUMBER	REQ'D NUMBER				
				A-1 A-2	A-3 B-0	B-1 D-0	D-1 E-1	E-2
46	FLANGE NUT		FNHF06S0	-	9	9	-	-
47	NUT		FNH106S0	-	15	15	-	-
48	DRIP GUIDE		350725-01	-	3	3	-	-
49	SIDE FRAME (R2)		264213M01	1	1	1	1	1
50	SIDE FRAME (L2)		264215M01	1	1	1	1	1
51	ACTUATOR		382184G02	-	-	-	3	3
		F074-C106, F074-C107	382184G01	-	-	-	3	3
52	SPRING - SPOUT		478013M01	-	-	-	3	3
53	CLAMP	No.249	427902-02	-	-	-	-	6



HE

MODEL: FM-1800ALKE(-SB) FM-1800ALKE-N(-SB)		TITLE: B. ICE MAKING UNIT						
INDEX NO.	DESCRIPTION	MATERIAL OR MODEL NUMBER	PART NUMBER	REQ'D NUMBER				
				A-1 A-2	A-3 B-0	B-1 D-0	D-1 E-1	E-2
1	GEAR MOTOR		466223-01	1	1	1	1	1
2	COUPLING		414137-01	1	1	1	1	1
3	HOUSING		206657G02	1	1	1	1	1
4	HEX.HEAD BOLT W/WASHER (SW)		461888-01	6	6	6	6	6
5	O-RING		7616-G065	1	1	1	1	1
6	MECHANICAL SEAL		432492-01	1	1	1	1	1
7	AUGER		120863G02	1	1	1	1	1
8	PIN		713S-0416	1	1	1	1	1
9	EVAPORATOR		258997G01	1	1	1	1	1
10	SCREW		P01719-01	4	4	4	4	4
11	EXTRUDING HEAD	FM-1800ALKE (-SB)	327097G03	1	1	1	1	1
		FM-1800ALKE-N (-SB)	216531G03	1	1	1	1	1
12	FLANGE - 70		372207M01	1	-	-	1	1
			476246G01	-	1	1	-	-
13	SEAL BOLT - M8		P01768-01	4	4	4	4	4
14	CUTTER	FM-1800ALKE (-SB)	317071-02	1	1	1	1	1
		FM-1800ALKE-N (-SB)	327145-01	1	1	1	1	1
15	SPRING WASHER		FWSP10S0	1	1	1	1	1
16	SCREW-BOLT		458101-01	1	1	1	1	1
17	COVER-GEAR MOTOR		475224G01	1	1	1	1	1
18	PAN HEAD MACHINE SCREW (SPRING WASHER AND FLAT WASHER)		FSK0408S0	2	2	2	2	2
19	BELT HEATER		469322-01	1	1	-	-	-
			P03243-01	-	-	1	1	1
20	PACKING - SPOUT		473494R01	1	1	-	1	1
21	ROTATION SENSOR	GEAR MOTOR ACCESSORY	459861-03	1	1	1	1	1



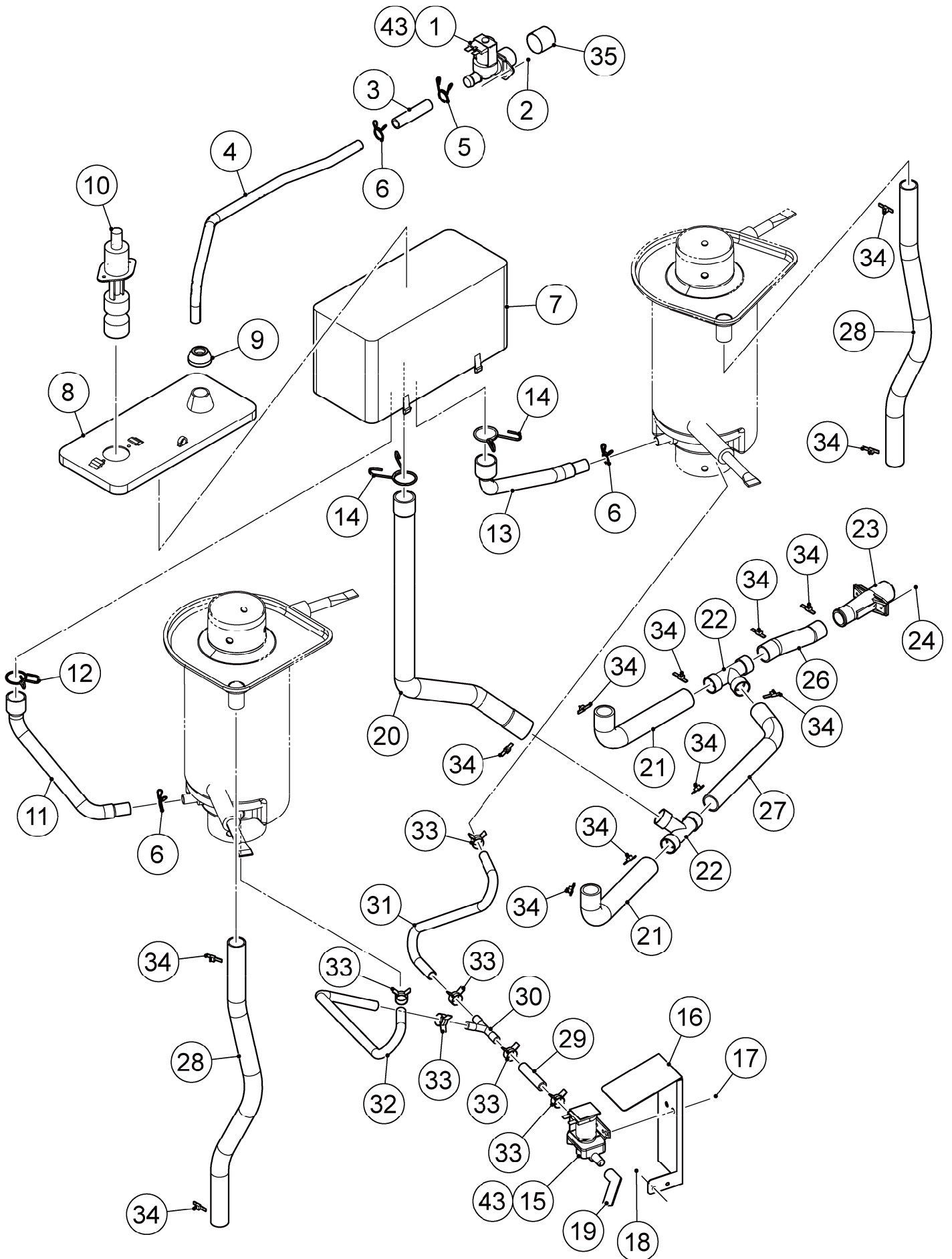


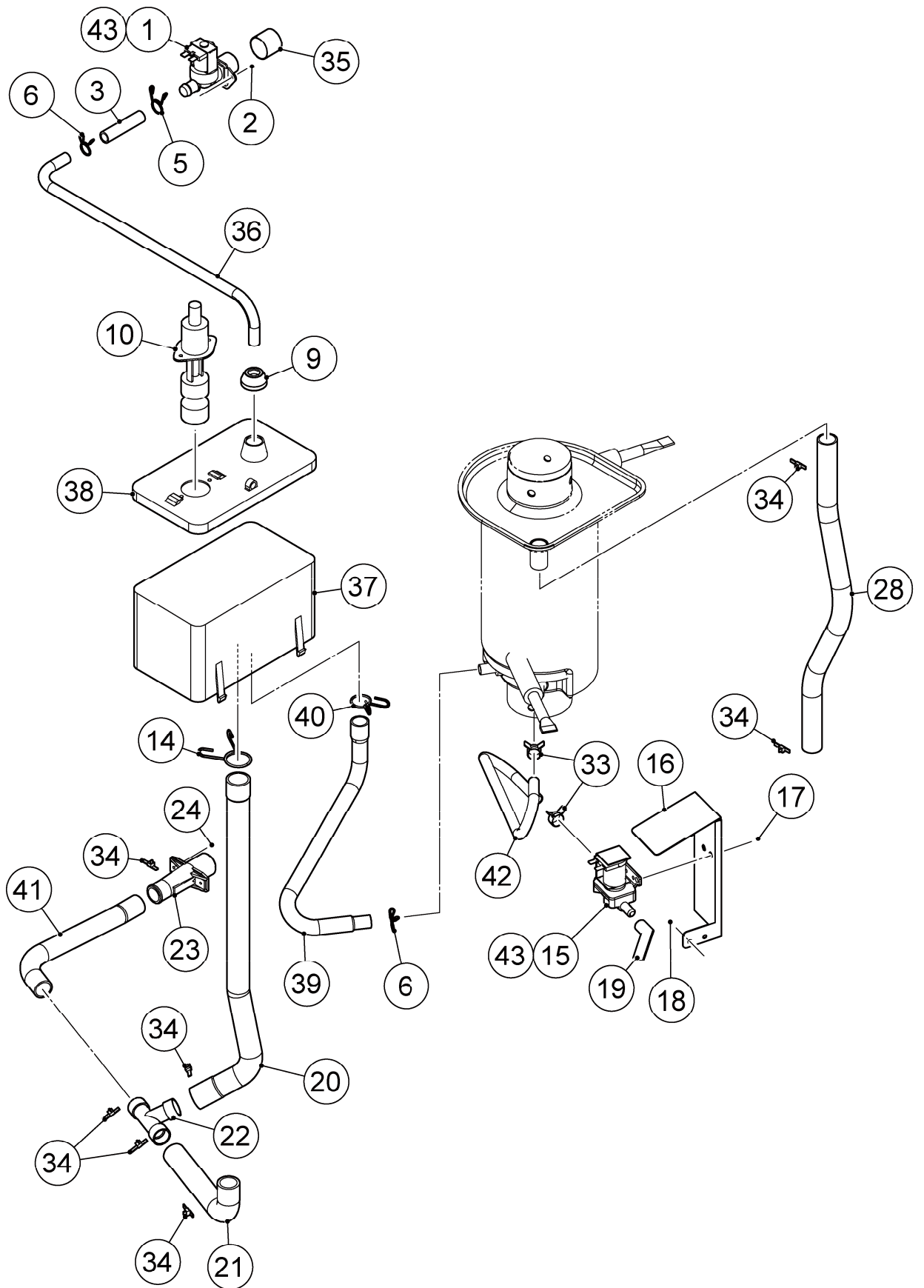
HE

MODEL: FM-1800ALKE(-SB) FM-1800ALKE-N(-SB)		TITLE: C. REFRIGERATION CIRCUIT						
INDEX NO.	DESCRIPTION	MATERIAL OR MODEL NUMBER	PART NUMBER	REQ'D NUMBER				
				A-1 A-2	A-3 B-0	B-1 D-0	D-1 E-1	E-2
1	ELBOW		417395-03	6	6	6	6	6
2	EXPANSION VALVE		453868-01	3	3	3	3	3
3	COPPER TUBE(H)		260082G01	1	-	-	-	-
			261470G01	-	1	1	-	-
			264417G01	-	-	-	1	1
4	COPPER TUBE(L)		260083G01	1	-	-	-	-
			261469G01	-	1	1	-	-
			264418G01	-	-	-	1	1
5	HOLDER - EXP. VALVE 1/2		3A0112-01	3	3	3	3	3
6	CLAMP		443461-01	3	3	3	3	3
7	VALVE COVER		3Y3196P01	3	3	3	3	3
8	CLAMP		P00752-01	6	6	6	6	6
9	EPR		457707-01	2	2	2	2	2
10	INSULATION TUBE		H72646200	2	2	2	2	2
11	COPPER TUBE(E)-L		260085G01	1	1	1	-	-
			264419G01	-	-	-	1	1
12	VALVE BRACKET		453302-02	1	1	1	1	1
13	TRUSS HEAD MACHINE SCREW		FST0408S0	2	2	2	2	2
14	SOLENOID VALVE		P02115-01	1	1	1	1	1
15	COIL		453124-01	1	1	1	1	1
16	TRUSS HEAD MACHINE SCREW		FST0420S0	1	1	1	1	1
17	COPPER TUBE(D)-H		475517M01	1	1	1	1	1
18	INSULATION TUBE		H71020180	1	1	1	1	1
19	INSULATION TUBE		H72949B15	3	3	3	3	3
20	INSULATION TUBE		H71333B35	3	3	3	3	3
21	INSULATION TUBE		H73858B28	3	3	3	3	3
22	THERMISTOR ASSY		475629G01	1	1	1	1	1
23	HOLDER - THERMISTOR		427430-01	2	2	2	2	2
24	TIE		436156-02	3	3	3	3	3
25	TIE	CV-150	7920-0003	20	20	20	16	16
26	NYLON TIE	CV-200	7920-0010	30	30	30	33	33
27	LOCKRING STOPPER		P01677-01	1	1	1	1	1
28	COPPER TUBE(D)-L		375091G01	1	1	1	1	1

HE

MODEL: FM-1800ALKE(-SB) FM-1800ALKE-N(-SB)		TITLE: C. REFRIGERATION CIRCUIT						
INDEX NO.	DESCRIPTION	MATERIAL OR MODEL NUMBER	PART NUMBER	REQ'D NUMBER				
				A-1	A-3	B-1	D-1	E-2
29	COPPER TUBE(E)/H		478107G01	-	-	-	1	1
30	TEE		4R3125-01	-	-	-	1	1



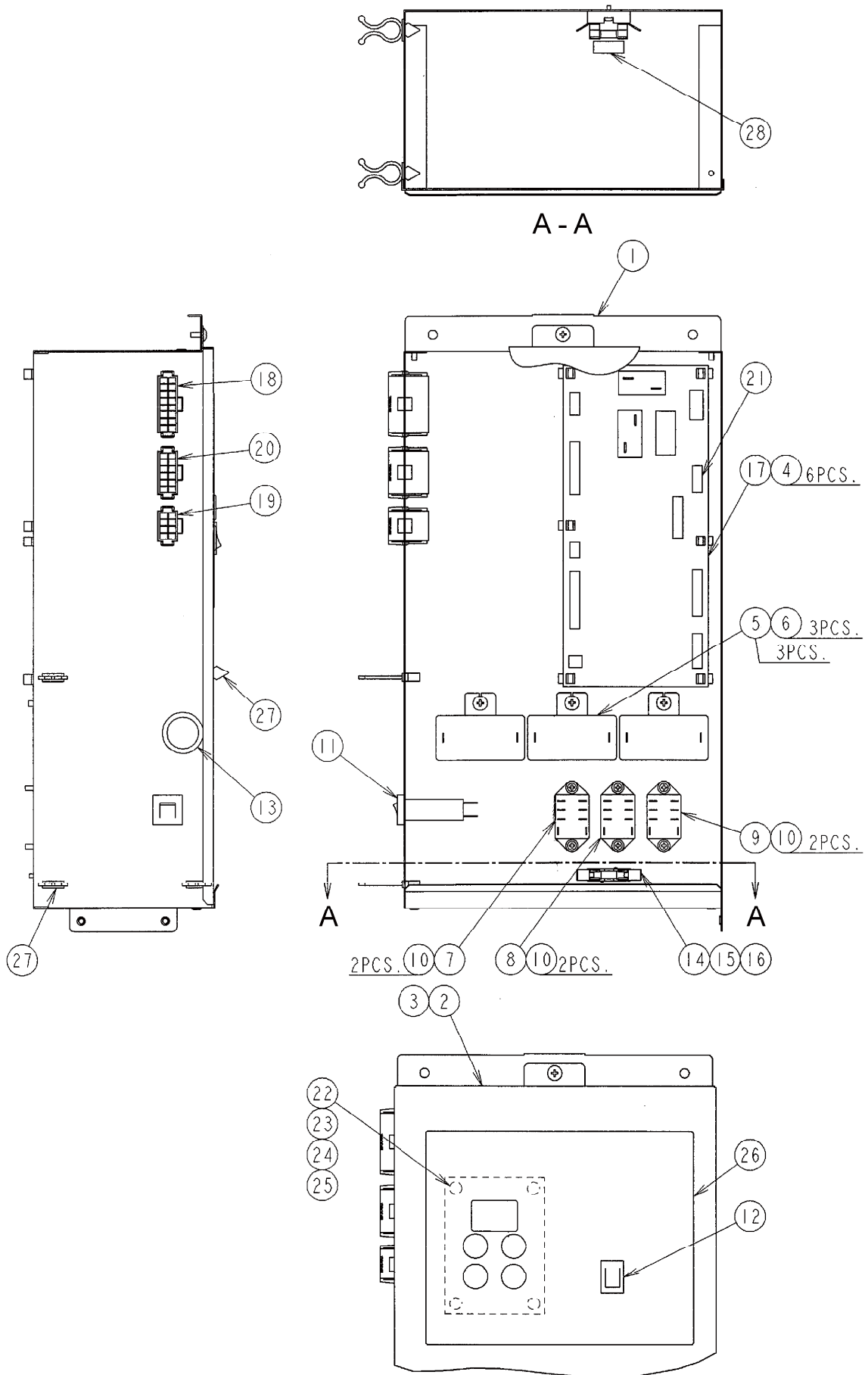


HE

MODEL: FM-1800ALKE(-SB) FM-1800ALKE-N(-SB)		TITLE: D. WATER CIRCUIT						
INDEX NO.	DESCRIPTION	MATERIAL OR MODEL NUMBER	PART NUMBER	REQ'D NUMBER				
				A-1 A-2	A-3 B-0	B-1 D-0	D-1 E-1	E-2
1	WATER VALVE		452993-01	2	2	2	2	2
2	HEX HEAD BOLT		FBH0408S0	4	4	4	4	4
3	SILICONE HOSE		4Y6912R06	2	2	2	2	2
4	PIPE-WATER SUPPLY		374379M01	1	-	-	1	1
			375950M01	-	1	1	-	-
5	HOSE CLAMP		435934-03	2	2	2	2	2
6	HOSE CLAMP		435934-02	5	5	5	5	5
7	RESERVOIR (B)		114487-01	1	1	1	1	1
8	COVER - RESERVOIR		112582-01	1	1	1	1	1
9	COVER - RESERVOIR INLET		415094-01	2	2	2	2	2
10	FLOAT SWITCH		458279-01	2	2	2	2	2
11	HOSE (A)		374346R01	1	1	1	1	1
12	HOSE CLAMP		427443-10	1	1	1	1	1
13	HOSE (B)		374347R01	1	1	1	1	1
14	HOSE CLAMP		427443-08	3	3	3	3	3
15	WATER VALVE		468655-01	2	2	2	2	2
16	VALVE BRACKET		461831-01	2	2	2	2	2
17	HEX HEAD BOLT (SPRING WASHER AND FLAT WASHER)		FBK0508F0	4	4	4	4	4
18	PAN HEAD MACHINE SCREW (SPRING WASHER AND FLAT WASHER)		FSK0408F0	4	4	4	4	4
19	DRAIN PIPE		460263-01	2	2	2	2	2
20	HOSE(B)		360004-01	2	2	2	2	2
21	HOSE(C)		475198G01	3	3	3	3	3
22	TEE		364488-01	3	3	3	3	3
23	DRAIN PIPE		321035-01	2	2	2	2	2
24	TRUSS HEAD TAPPING SCREW T2		FT20410S0	4	4	4	4	4
26	PVC HOSE (FOOD GRADE)		HD1923120	1	-	-	1	1
			HD1923080	-	1	1	-	-
27	PVC Hose (Food Grade)		HD1923250	1	1	1	-	-
			HD1923300	-	-	-	1	1
28	PVC Hose (Food Grade)		HD1923460	3	3	3	3	3
29	PVC Hose (Food Grade)		HD0912050	1	1	1	1	1

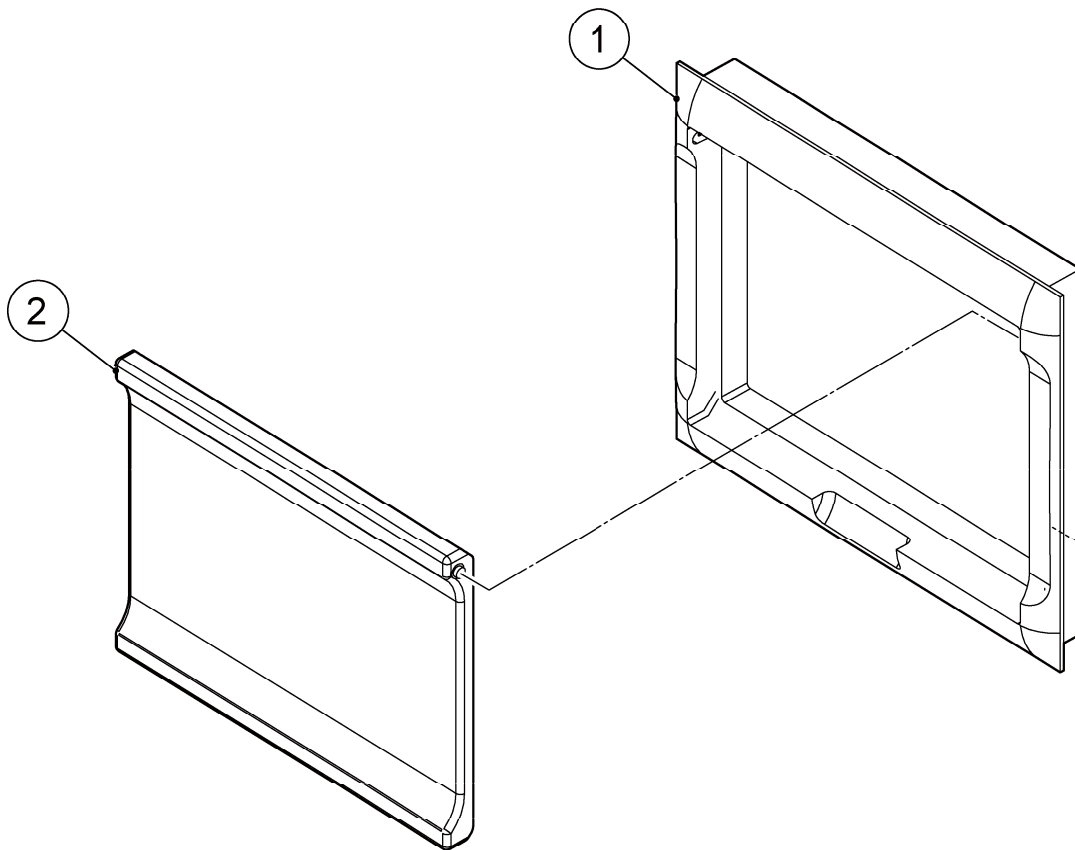
HE

MODEL: FM-1800ALKE(-SB) FM-1800ALKE-N(-SB)		TITLE: D. WATER CIRCUIT						
INDEX NO.	DESCRIPTION	MATERIAL OR MODEL NUMBER	PART NUMBER	REQ'D NUMBER				
				A-1 A-2	A-3 B-0	B-1 D-0	D-1 E-1	E-2
30	JOINT		450297-04	1	1	1	1	1
31	PVC Hose (Food Grade)		HD0912400	1	1	1	1	1
32	PVC Hose (Food Grade)		HD0912500	1	1	1	1	1
33	CLAMP		423866-03	8	8	8	8	8
34	TIE	CV-150	7920-0003	20	20	20	20	20
35	CAP		417323-01	2	2	2	2	2
36	PIPE-WATER SUPPLY(B)		375043M01	1	-	-	-	-
			375960M01	-	1	1	-	-
			478282M01	-	-	-	1	1
37	RESERVOIR		232626-01	1	1	1	1	1
38	COVER - RESERVOIR		232627-01	1	1	1	1	1
39	HOSE(C)		374923R01	1	1	1	1	1
40	HOSE CLAMP		427443-06	1	1	1	1	1
41	PVC Hose (Food Grade)		HD1923300	1	-	-	-	-
	PVC Hose - FSA		HD1923190	-	1	1	-	-
	PVC Hose (Food Grade)		HD1923270	-	-	-	1	1
42	PVC Hose (Food Grade)		HD0912650	1	1	1	1	1
43	NOISE KILLER		450363-01	-	4	4	4	4



HE

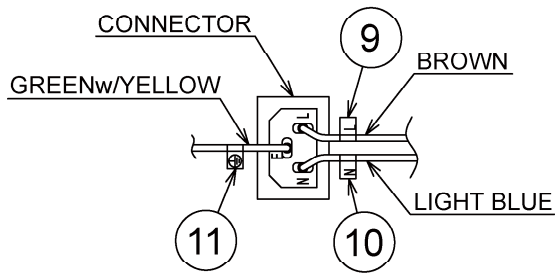
MODEL: FM-1800ALKE(-SB) FM-1800ALKE-N(-SB)		TITLE: E. CONTROL BOX ASSY						
INDEX NO.	DESCRIPTION	MATERIAL OR MODEL NUMBER	PART NUMBER	REQ'D NUMBER				
				A-1 A-2	A-3 B-0	B-1 D-0	D-1 E-1	E-2
1	CONTROL BOX		121251G01	1	1	-	-	-
			121824G01	-	-	1	1	1
2	COVER - CONTROL BOX		374380G01	1	1	-	-	-
			376330G01	-	-	1	1	1
3	TRUSS HEAD MACHINE SCREW		FST0408F0	1	1	1	1	1
4	BOARD SUPPORT		414929-01	6	6	6	6	6
5	CAPACITOR		459704-01	3	3	3	3	3
6	TRUSS HEAD TAPPING SCREW T2		FT20408F0	3	3	5	5	5
7	RELAY		406132-08	1	1	1	1	1
8	RELAY		406132-03	1	1	1	1	1
9	RELAY		406132-09	1	1	1	1	1
10	TAPPING SCREW		431415-01	6	6	6	6	6
11	PROTECTOR		440972-01	1	1	1	1	1
12	ROCKER SWITCH		460681-01	1	1	1	1	1
13	BUSHING		428394-05	1	1	1	1	1
14	FUSE HOLDER		4Y2547-01	1	1	1	1	1
15	FUSE		451924-02	1	1	1	1	1
16	PAN HEAD TAPPING SCREW T2		FT50308F0	1	1	1	1	1
17	CONTROLLER BOARD -09CM		P01372-99	1	1	1	1	1
18	HARNESS (A)		375114G01	1	1	-	-	-
			262717G01	-	-	1	1	1
19	HARNESS (B)		473845G01	1	1	1	1	1
20	HARNESS (C)		375115G01	1	1	1	1	1
21	HARNESS (D)		475639G01	1	1	1	1	1
22	SPACER		451658-05	4	4	4	4	4
23	OPERATION BOARD 09CM		P01373-01	1	1	1	1	1
24	FLAT WASHER		FWPL03P0	4	4	4	4	4
25	NUT		FNH103F0	4	4	4	4	4
26	CONTROL LABEL		374148L01	1	1	1	1	1
27	CLAMP	No.249	427902-03	4	4	4	4	4
28	LABEL - FUSE		455750-02	1	1	-	-	-
			477494L01	-	-	1	1	1
29	TRANSFORMER		P02623-01	-	-	1	1	1



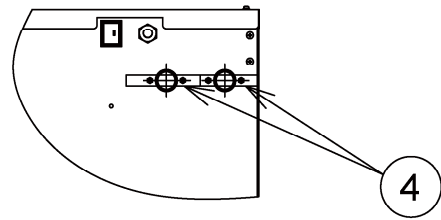
HE

MODEL: FM-1800ALKE(-SB) FM-1800ALKE-N(-SB)		TITLE: F. WINDOW PANEL ASSY						
INDEX NO.	DESCRIPTION	MATERIAL OR MODEL NUMBER	PART NUMBER	REQ'D NUMBER				
				A-1 A-2	A-3 B-0	B-1 D-0	D-1 E-1	E-2
1	WIND FRAME		232648-01	1	1	1	1	1
2	WIND PANEL		232649-03	1	1	1	1	1

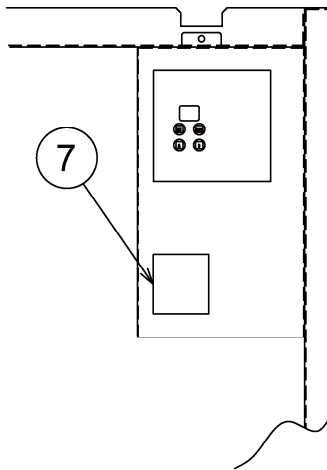
DETAIL LABEL-TERMINAL



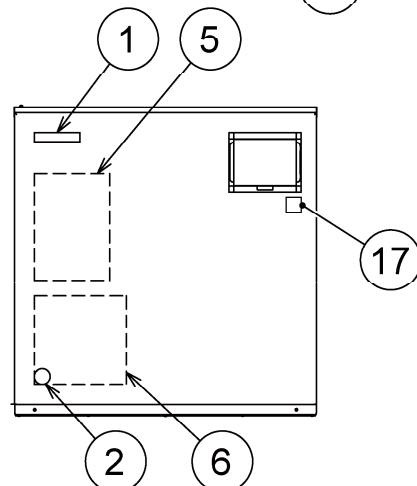
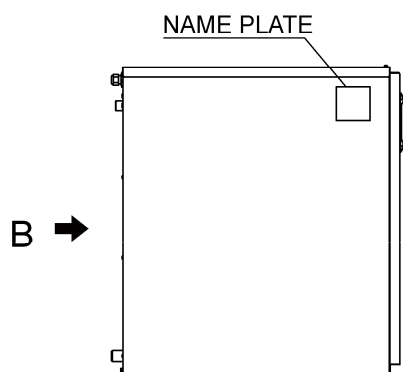
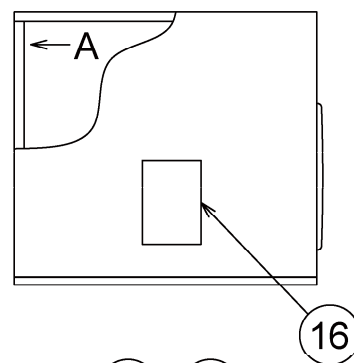
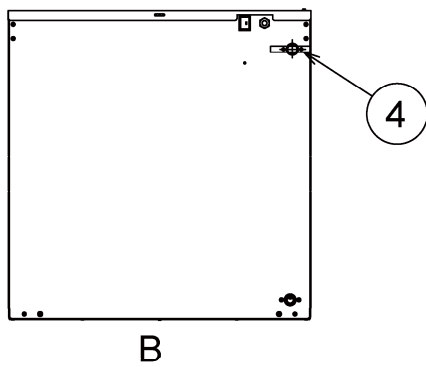
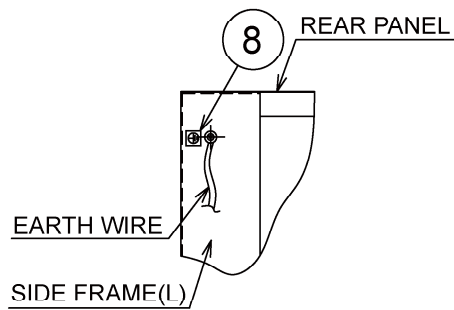
DETAIL CAUTION LABEL



DETAIL CONTROL BOX

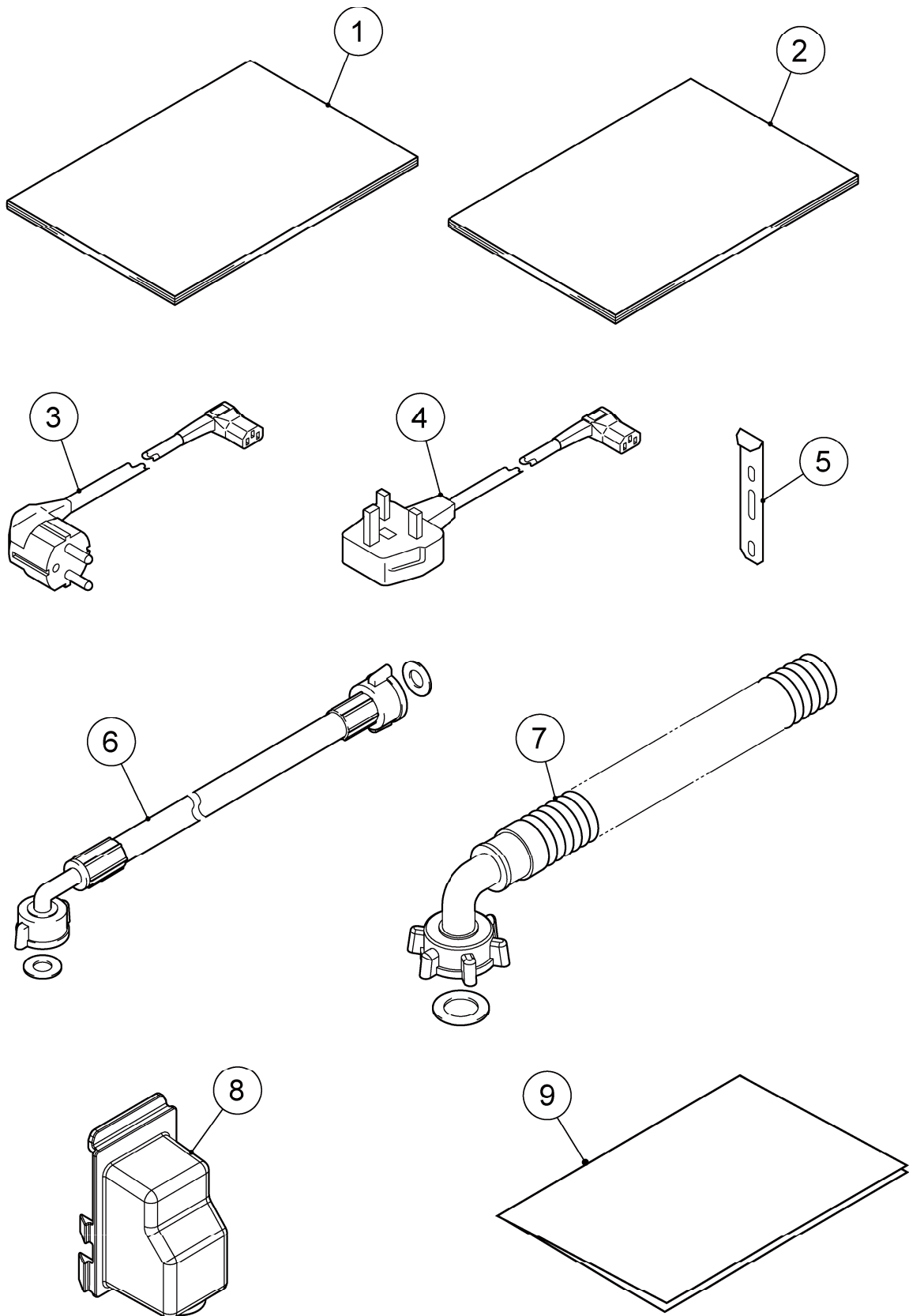


VIEW A



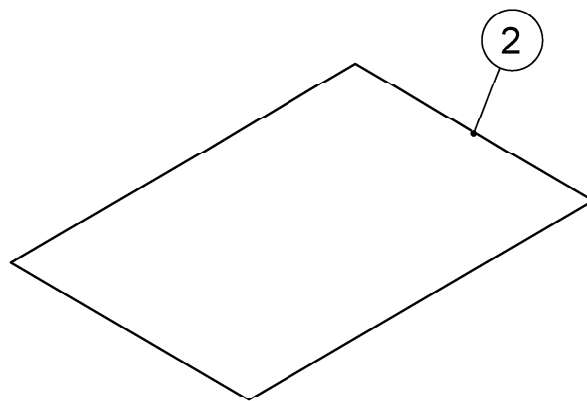
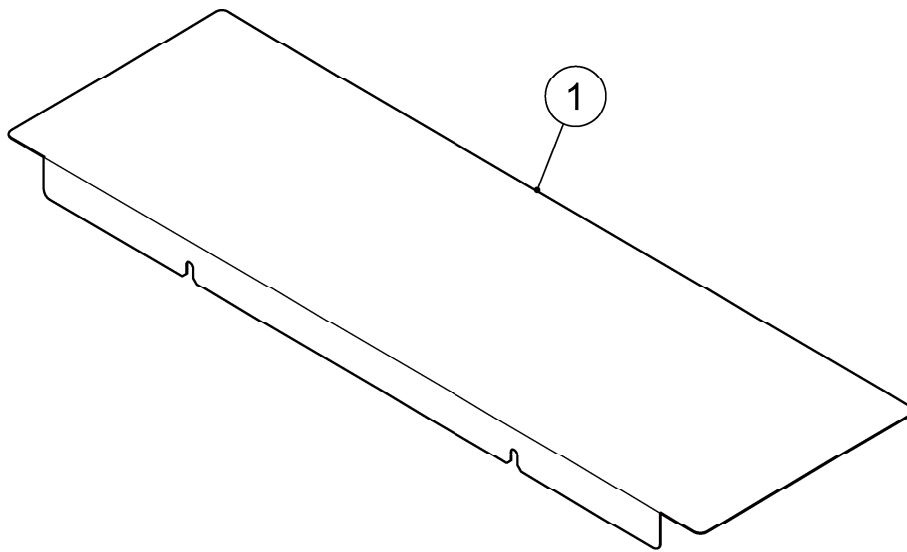
HE

MODEL: FM-1800ALKE(-SB) FM-1800ALKE-N(-SB)		TITLE: G. LABEL LOCATION						
INDEX NO.	DESCRIPTION	MATERIAL OR MODEL NUMBER	PART NUMBER	REQ'D NUMBER				
				A-1 A-2	A-3 B-0	B-1 D-0	D-1 E-1	E-2
1	EMBLEM		340842-01	1	1	1	1	1
2	LABEL-PENGUIN		454387-01	1	1	1	1	1
4	CAUTION-LABEL		452552-01	2	2	2	2	2
5	LABEL - ERROR TABLE		259134L01	1	1	1	1	1
6	WIRING LABEL		260133L01	1	-	-	-	-
			261488L01	-	1	-	-	-
			263206L01	-	-	1	-	-
			264602L01	-	-	-	1	1
7	CAUTION LABEL - SERVICE		471180L01	1	1	1	-	-
8	LABEL-GROUND (B)		450452-02	1	1	1	-	-
9	LABEL-TERMINAL		452379-03	1	1	1	-	-
10	LABEL-TERMINAL		452379-04	1	1	1	-	-
11	LABEL-TERMINAL		452379-05	1	1	1	-	-
16	INSTRUCTION SHEET		374473L01	1	1	1	-	-
			378049L01	-	-	-	1	1
17	LABEL - HACCP		476519L01	1	1	1	1	1



HE

MODEL: FM-1800ALKE(-SB) FM-1800ALKE-N(-SB)		TITLE: J. ACCESSORIES						
INDEX NO.	DESCRIPTION	MATERIAL OR MODEL NUMBER	PART NUMBER	REQ'D NUMBER				
				A-1 A-2	A-3 B-0	B-1 D-0	D-1 E-1	E-2
1	INSTRUCTION MANUAL		L1F073202	1	1	1	1	1
2	INSTALLATION MANUAL		L2F073201	1	1	1	-	-
			L2F073203	-	-	-	1	1
3	POWER SUPPLY CORD	CONT Plug	P03362-01	1	1	1	1	1
4	POWER SUPPLY CORD	UK Plug	P03363-01	1	1	1	1	1
5	UNIVERSAL BRACE		4A0363-01	2	2	2	2	2
6	INLET HOSE		P03534-01	2	2	2	2	2
7	OUTLET HOSE		452365-01	2	2	2	2	2
8	COVER-CONNECTOR		2X0271P01	-	-	1	1	1
9	INSTRUCTION MANUAL		1222234L01	1	1	1	1	1



HE

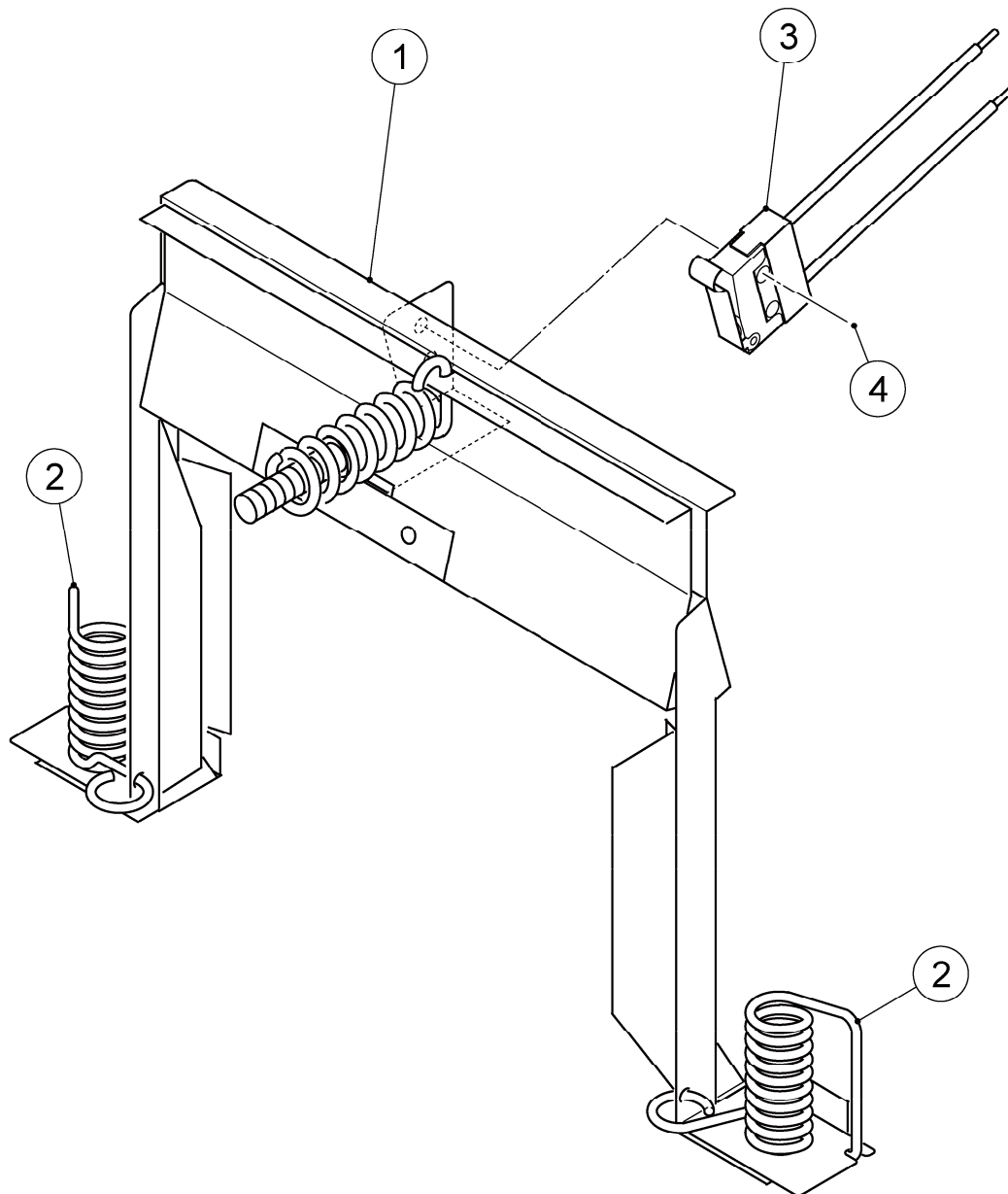
MODEL: FM-1800ALKE(-SB) FM-1800ALKE-N(-SB)		TITLE: K. OPTIONAL PARTS						
INDEX NO.	DESCRIPTION	MATERIAL OR MODEL NUMBER	PART NUMBER	REQ'D NUMBER				
				A-1 A-2	A-3 B-0	B-1 D-0	D-1 E-1	E-2
1	TOP KIT - 1800		260234M02	1	1	1	1	1
2	INSTRUCTION SHEET		373292L01	1	1	1	1	1

(S-9165)

FM-1800ALKE
FM-1800ALKE-N

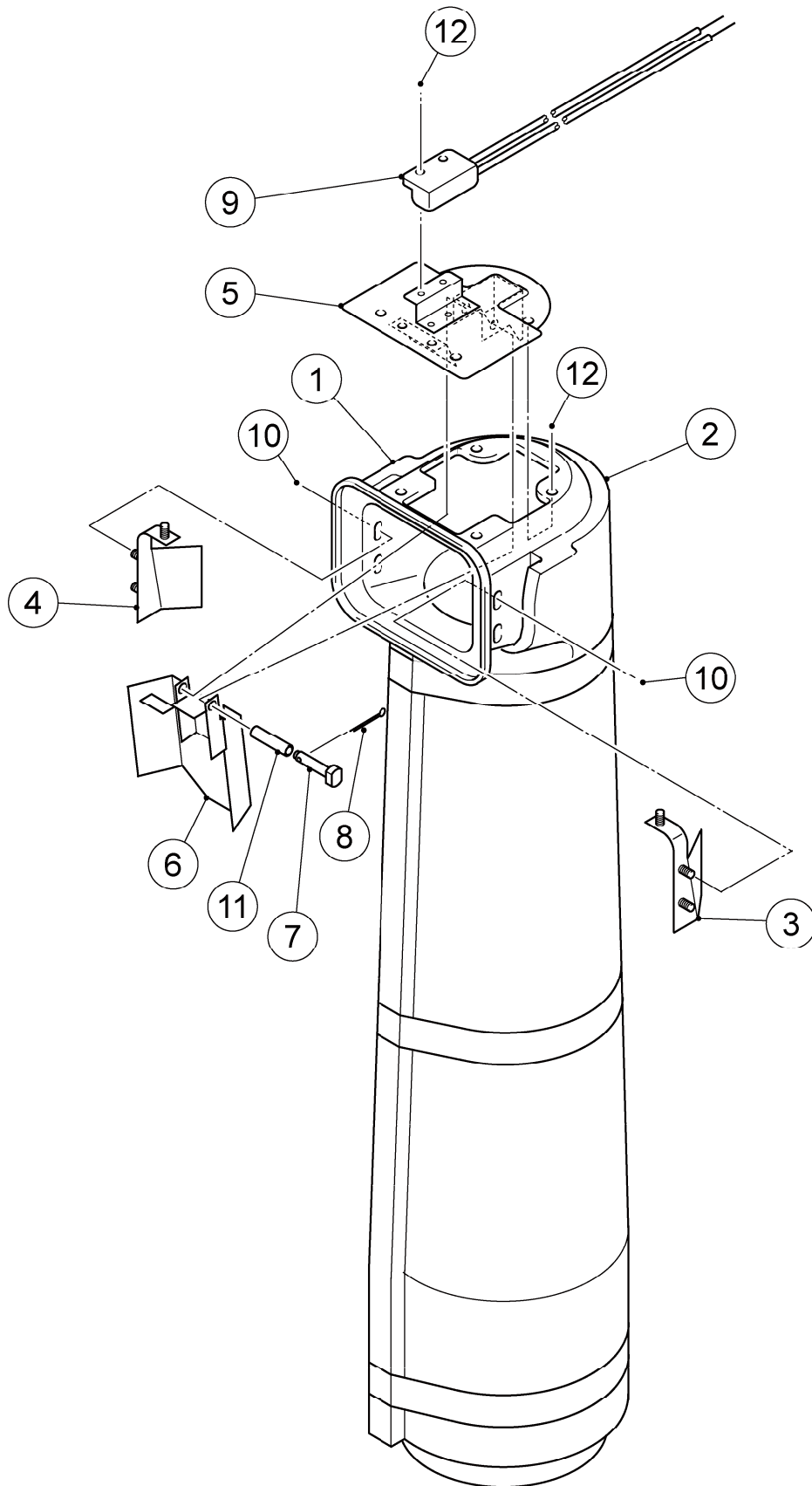
L. BAND ASSY

(A-3) to (D-0)



HE

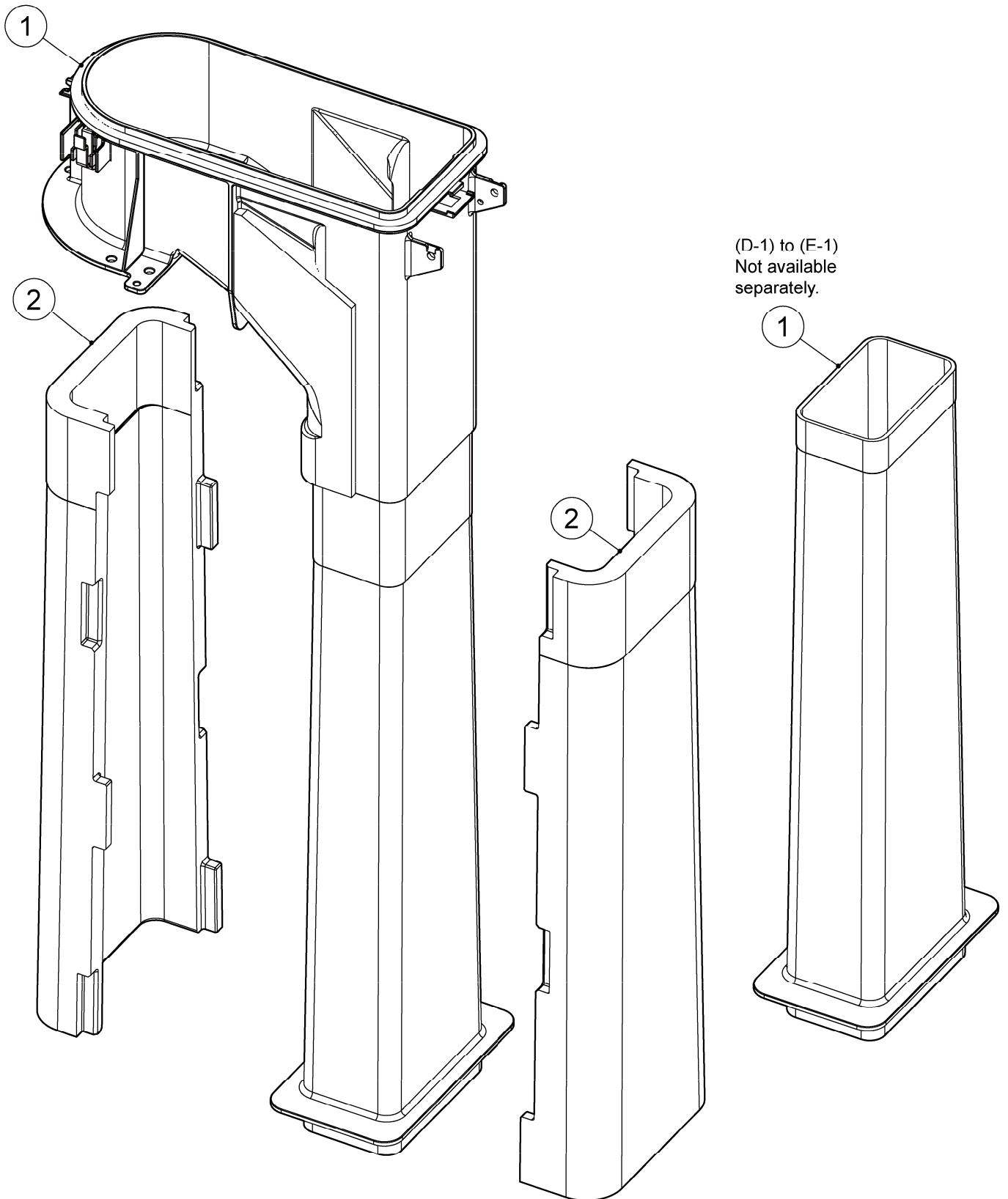
MODEL: FM-1800ALKE(-N) TITLE: L. BAND ASSY(S-9165)							
INDEX NO.	DESCRIPTION	MATERIAL OR MODEL NUMBER	PART NUMBER	REQ'D NUMBER			
				A-3 B-0	B-1 D-0		
1	BAND (A)		348305G01	1	1		
2	SPRING (A)		459997-01	2	2		
3	MICROSWITCH	ABS1624318	443992-02	1	1		
4	PAN HEAD MACHINE SCREW (SPRING WASHER AND FLAT WASHER)		470416-01	2	2		



FM-1800ALKE(-SB)
FM-1800ALKE-N(-SB)

M. CHUTE ASSY

(D-1) and later



HE

MODEL: FM-1800ALKE(-SB) FM-1800ALKE-N(-SB)		TITLE: M. CHUTE ASSY					
INDEX NO.	DESCRIPTION	MATERIAL OR MODEL NUMBER	PART NUMBER	REQ'D NUMBER			
				A-3 B-0	B-1 D-0	D-1 E-1	E-2
1	CHUTE		214823-01	1	1	-	-
		Integrated with SPOUT - 70 Not available separately. Order SPOUT - CHUTE 70 (268064G02)		-	-	1	-
	SPOUT - CHUTE 70		268064G02	-	-	-	1
2	INSULATION-CHUTE		235310-01	1	1	-	-
			263903P02	-	-	2	2
3	BAFFLE - CHUTE (A)		325122G01	1	1	-	-
4	BAFFLE - CHUTE		325123G01	1	1	-	-
5	BIN CONTROL		353918G01	1	1	-	-
6	ACTUATOR		436848G05	1	1	-	-
7	SHAFT		458813-01	1	1	-	-
8	SPLIT PIN		711SP1612	1	1	-	-
9	PROXIMITY SWITCH		4A2033-01	1	1	-	-
10	WING NUT		FNW204S0	6	6	-	-
11	TUBE		461623-01	1	1	-	-
12	TRUSS HEAD MACHINE SCREW		FST0406S0	4	4	-	-